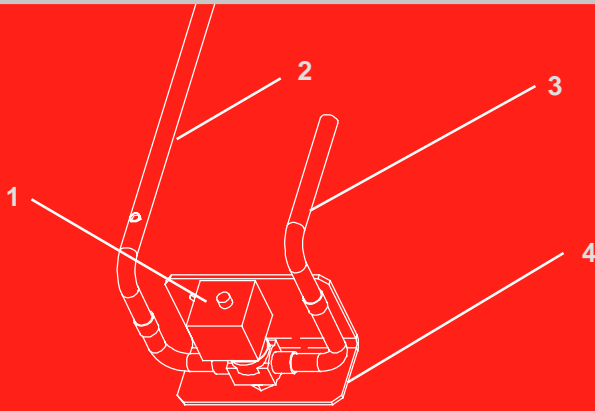




Trailer Refrigeration



SERVICE PARTS LIST for

Ultima 53 NDX-93D

Trailer Refrigeration Units
Prior to S/N GAD90472704



TRANSICOLD

**Ultima 53
NDX-93D
NOSEMOUNT
TRAILER REFRIGERATION UNIT
Prior to S/N GAD90472704**

lbhfcXi Wjcb

This parts list identifies service replacement parts for the Carrier Transicold Model NDA94 Trailer Refrigeration Unit listed in the model chart below. This parts list does not include detailed replacement parts for the engine or compressor listed in the first chart below. Detailed parts identification for these items may be found in the applicable parts lists.

McXY'7\ Ufh

Unit			Engine		Compressor
Model No.	Name	Refrigerant	Model No.	Engine Type	Model No.
NDX-93D	Ultima	R-404A	V2203-DI	CT4-134-DI	05G-41CFM

MANUAL/ FORM NO.	ENGINE PART NUMBER	EQUIPMENT COVERED	TYPE OF MANUAL/FORM
62-03459	26-00119-00	CT4-114-TV	Engine Parts List
62-03181	18-00059-72RM	05G Compressor	Compressor Parts List

OfXYf]b['hglfi Wjcbg

All orders and inquiries for parts must include:

- SUnit Serial Number
- SPart Number
- SDescription of Part
- SQuantity Required

Address all correspondence for parts to the following address:

CARRIER TRANSICOLD DIVISION
Replacement Components Group
TR-20, P.O. Box 4805
Syracuse, New York 13221
or
Fax to: (315) 432-3778

GYbYfU' BchYg

To find replacement parts, consult table of contents, and turn to the appropriate page for the illustrated breakdown of replacement parts. The following letter designations are used to classify parts throughout this list:

The following letter designations are used to classify parts throughout this list:

- A/R *As Required*
- NLO *No Longer Offered*
- NS *Not Shown in the illustration*
- NSA *Non-Stock Assembly - Order components listed under the assembly*
- NSI *Non-Stock Item - May be available on special order*
- NSS *Not Sold Separately - Order next higher assembly or kit*
- P-- *Suffix P-- Added to the part number means the part is available in a packaged quantity only. Example: P/N34-00373-01P10 is a package of 10 P/N34-00373-01. Use the part number and the P-- suffix when ordering.*
- PL *Purchase locally*
- SST *Stainless Steel - 300 Series unless otherwise specified*
- SV *Suffix SV - Added to the part number designates service part replacement part*

TABLE OF CONTENTS

PARAGRAPH NUMBER	Page
INTRODUCTION	i
MODEL CHART	i
ORDERING INSTRUCTIONS	i
GENERAL NOTES	i
TABLE OF CONTENTS	ii
1 QUICK LIST	1
1.1 Quick List - Clamps, Tube	1
1.2 Quick List - Clamps, Hose	1
1.3 Quick List - Connectors	1
1.4 Quick List - Filters	1
1.5 Quick List - Fuses	1
1.6 Quick List - Ring Terminals	1
1.7 Quick List - Spade Terminals	2
1.8 Quick List - Spiral Wrap	2
1.9 Quick List - T-Bolts	2
1.10 Quick List - Ty Raps	2
1.11 Quick List - Belts	2
1.12 Quick List - Misc.	2
2 Door and Grille Assemblies	3
2.1 Door and Grille Assemblies - Latch Assembly	7
2.2 Door and Grille Assemblies - Back Panel and Grille	8
4 INDICATING LAMP BAR	10
5 EVAPORATOR ASSEMBLY	11
5 EVAPORATOR ASSEMBLY (Continued)	12
6 REFRIGERATION COMPONENTS	13
6.1 Refrigeration Components - SV3 & SV4 Valve Assembly	16
6.2 Refrigeration Components - Solenoid Valves	17
7 FUEL PUMP AND TANK	18
8 DRIVE ASSEMBLY	20
8.1 Drive Assembly	20
8.2 Drive Assembly - Idler Assembly	23
9 OIL FILTER AND BY-PASS OIL FILTER ASSEMBLIES	24
10 POWER TRAIN ASSEMBLY	25
10.1 Power Train Assembly - Alternator	27
10.2 Power Train Assembly - Condenser Fan	28
10.3 Power Train Assembly - Gearbox	30
11 AIR CLEANER ASSEMBLY	31
11.1 Air Cleaner Assembly (Prior To S/N FAR90427529)	31
11.2 Air Cleaner Assembly (Beginning With S/N FAR90427529)	32
12 FUEL FILTER	33
13 ENGINE EXHAUST SYSTEM	35

TABLE OF CONTENTS

PARAGRAPH NUMBER		Page
14	BATTERY BOX	36
15	COOLANT SYSTEM	37
16	DATALINK	39
16.1	Datalink	39
16.2	Datalink Accessories	39
17	MISCELLANEOUS	40
18	RELAY BOX ASSEMBLY	41
19	MICROPROCESSOR ASSEMBLY	43
20	DECALS	45
21	NOISE REDUCTION KIT	47
22	STEALTH NOISE REDUCTION OPTION	48
	PART NUMBER INDEX	Index-1

1'Ei JW'@gh

Part Number	Description
1.1 Quick List - Clamps, Tube	
34-00373-51P10	Clamp, Tube, 0.25 Diameter Cushioned
34-00373-53P10	Clamp, Tube, 0.38 Diameter Cushioned
34-00373-05P10	Clamp, Tube, 0.50 Diameter Cushioned
34-00373-07P10	Clamp, Tube, 0.62 Diameter Cushioned
34-00373-59	Clamp, Tube, 0.75 Diameter Cushioned
34-00373-11	Clamp, Tube, 0.875 Diameter Cushioned
34-00373-65	Clamp, Tube, 1.125 Diameter Cushioned
34-00373-67	Clamp, Tube, 1.25 Diameter Cushioned
34-00373-69P10	Clamp, Tube, 1.38 Diameter Cushioned
34-00373-71	Clamp, Tube, 1.55 Diameter Cushioned
1.2 Quick List - Clamps, Hose	
44-00045-25	Clamp, Worm, Range - 3/16 To 5/8 OD
44-00102-06P05	Clamp, Hose, 0.875 Diameter Support
44-00045-01	Clamp, Worm, Range - 1/2 To 15/16 OD
44-00045-03P05	Clamp, Worm, Range - 13/16 To 1 OD
44-00045-05P05	Clamp, Worm, Range - 1 9/16 To 1/2 OD
1.3 Quick List - Connectors	
22-00066-01	Connector, Butt End, Wire Range - 22 to 16 Gauge
22-00066-02	Connector, Butt End, Wire Range - 16 to 14 Gauge
22-00066-03	Connector, Butt End, Wire Range - 12 to 10 Gauge
22-00041-00	Connector, Closed End, Wire Range - 22 to 14 Gauge
22-00041-02	Connector, Closed End, Wire Range - 18 to 10 Gauge
1.4 Quick List - Filters	
14-00209-00P10	Filter-Drier - High Moisture Capacity - Case OF 10
30-00323-00P12	Filter, Lube Oil - Full Flow - Case OF 12
30-01090-01P12	Filter Fuel - Case Of 12
1.5 Quick List - Fuses	
22-02336-02P05	Fuse - 5 AMP
22-02336-08P05	Fuse - 7.5 AMP
22-02336-04P05	Fuse - 10 AMP
22-02336-06P05	Fuse - 15 AMP
22-02336-01P05	Fuse - 20 AMP
22-02336-05P05	Fuse - 25 AMP
22-02336-09P05	Fuse - 80 AMP
1.6 Quick List - Ring Terminals	
22-01140-01	Ring Terminal, #6, Wire Range - 12 to 10 Gauge
22-01140-02	Ring Terminal, #10, Wire Range - 12 to 10 Gauge
22-01140-04	Ring Terminal, 3/8, Wire Range - 12 to 10 Gauge
22-00119-04	Ring Terminal, 1/4, Wire Range - 12 to 10 Gauge
22-00120-04	Ring Terminal, #10, Wire Range - 16 to 14 Gauge
22-00120-07	Ring Terminal, 5/16, Wire Range - 16 to 14 Gauge
22-00121-07	Ring Terminal, #10, Wire Range - 22 to 16 Gauge
22-01139-04	Ring Terminal, 3/8, Wire Range - 16 to 14 Gauge

1.7 Quick List - Spade Terminals

Part Number	Description
22-01141-01	Spade Terminal, 0.032 x 0.250, Wire Range - 16 to 14 Gauge
22-00595-01	Spade Terminal, 3/8, Wire Range - 12 to 10 Gauge
22-01172-00	Spade Terminal, 3/16, Wire Range - 20 to 16 Gauge

1.8 Quick List - Spiral Wrap

22-01106-00	Spiral Wrap, 1/4 Inch Diameter x 25 Feet Long
22-01107-00	Spiral Wrap, 1/2 Inch Diameter x 25 Feet Long

1.9 Quick List - T-Bolts

34-50008-01	T-Bolt, Mounting 1/2-13 x 6 Inches Long (Unit Mounting)
34-50008-01	T-Bolt, Mounting 1/2-13 x 10 Inches Long (Unit Mounting)

1.10 Quick List - Ty Raps

44-01043-05	T-Raps, 5-1/2 Inches Long
44-01043-07	T-Raps, 11 Inches Long

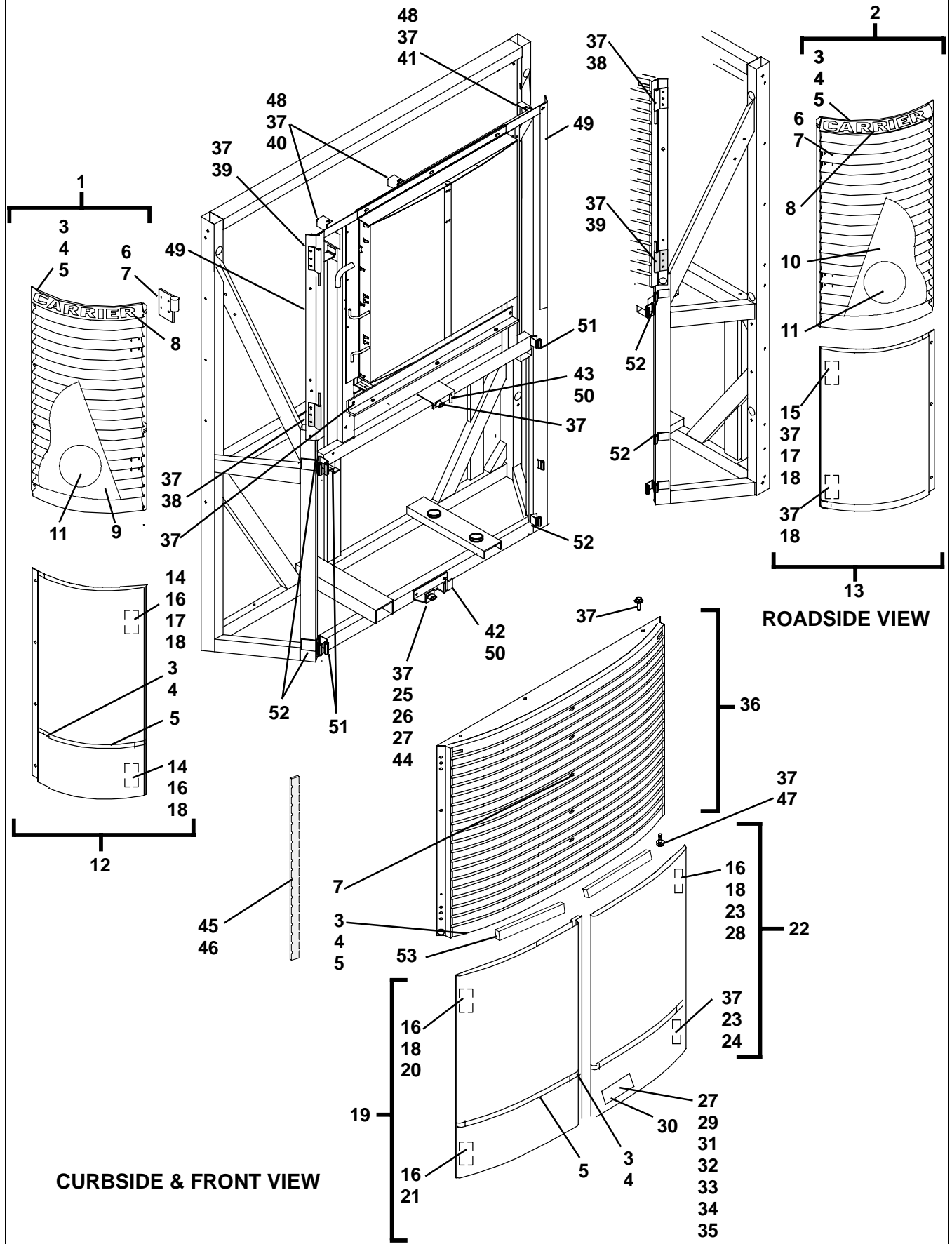
1.11 Quick List - Belts

50-00162-04	V-Belt, Water Pump
50-00179-10	V-Belt, Alternator
50-00178-20	V-Belt, Condenser Fan
50-00178-16	V-Belt, Compressor Drive

1.12 Quick List - Misc.

66U1-3803-P10	Tube, Heat Shrink (0.25 - 0.08 ID)
---------------	------------------------------------

2 Door and Grille Assemblies



2 Door and Grille Assemblies (Continued)

Item	Part Number	Description	Qty
1	58-01307-00	Grille Assembly, Curbside - Includes:	1
2	58-01306-04	Grille Assembly, Roadside - Includes:	1
	58-01306-24	Grille Assembly, Roadside w/Fresh Air - Includes: (NSI)	1
3	34-06122-00	Rivet, Blind, 5/32 Dia, .040-.295 Grip Range (NSI)	4
4	58-04331-01	Cap, Trim - Matte Black	4
5	58-04332-00	Trim, Automotive (6 Foot, Cut to Length)	A/R
6	44-00326-00	Hinge, Slip - SST	2
7	34-06025-06	Screw, Hex Head W/cap Washer 1/4-20 x 3/4 Long - SAE	8
8	62-02507-00	Decal, Carrier	1
9	62-04033-01	Decal, Grille, Curbside	1
10	62-04033-00	Decal, Grille, Roadside	1
11	62-02580-04	Decal, Ultima (NSI)	1
NS	76-50055-02	Kit, J-Latch - Includes:	A/R
NS	NSS	Handle, Latch	1
NS	NSS	Washer, Handle	1
NS	44-01149-04	Bushing	1
NS	58-00511-03	Washer, Nylon, .32 ID x .62 OD	1
NS	PL	Washer, Plain, 5/16 - SST	2
NS	PL	Nut, Self-locking, 5/16-24 - SST	1
12	58-01313-07	Door Assembly, Side, Curbside - Includes:	1
13	58-04323-00	Door Assembly, Side, Roadside - Includes:	1
3	34-06122-00	Rivet, Blind, 5/32 Diameter .040-.295 Grip Range (NSI)	2
4	58-04331-01	Cap, Trim	2
5	58-04332-00	Trim, Automotive (6 Foot, Cut to Length)	A/R
NS	76-50055-02	Kit, J-Latch - Includes:	A/R
NS	NSS	Handle, Latch	1
NS	NSS	Washer, Handle	1
NS	44-01149-04	Bushing	1
NS	58-00511-03	Washer, Nylon, .32 ID x .62 OD	1
NS	PL	Washer, Plain, 5/16 - SST	2
NS	PL	Nut, Self-locking, 5/16-24 - SST	1
14	44-00323-01	Hinge, Release, Door, Pull Pin - SST Curbside	1
15	44-00323-00	Hinge, Release, Door, Pull Pin - SST Roadside	1
16	34-00655-06	Screw, Hex Head With Cap Washer 1/4-20 x 3/4 Long - SAE	8
17	68-11566-00	Plate - SST	1
18	86-02925-00	Plate Assembly, Nut (NSI)	1
NS	34-00662-11	Washer, Plain, 1/4 - SST	9
NS	34-00663-11	Washer, Spring Lock, 1/4 - SST (NSI)	9

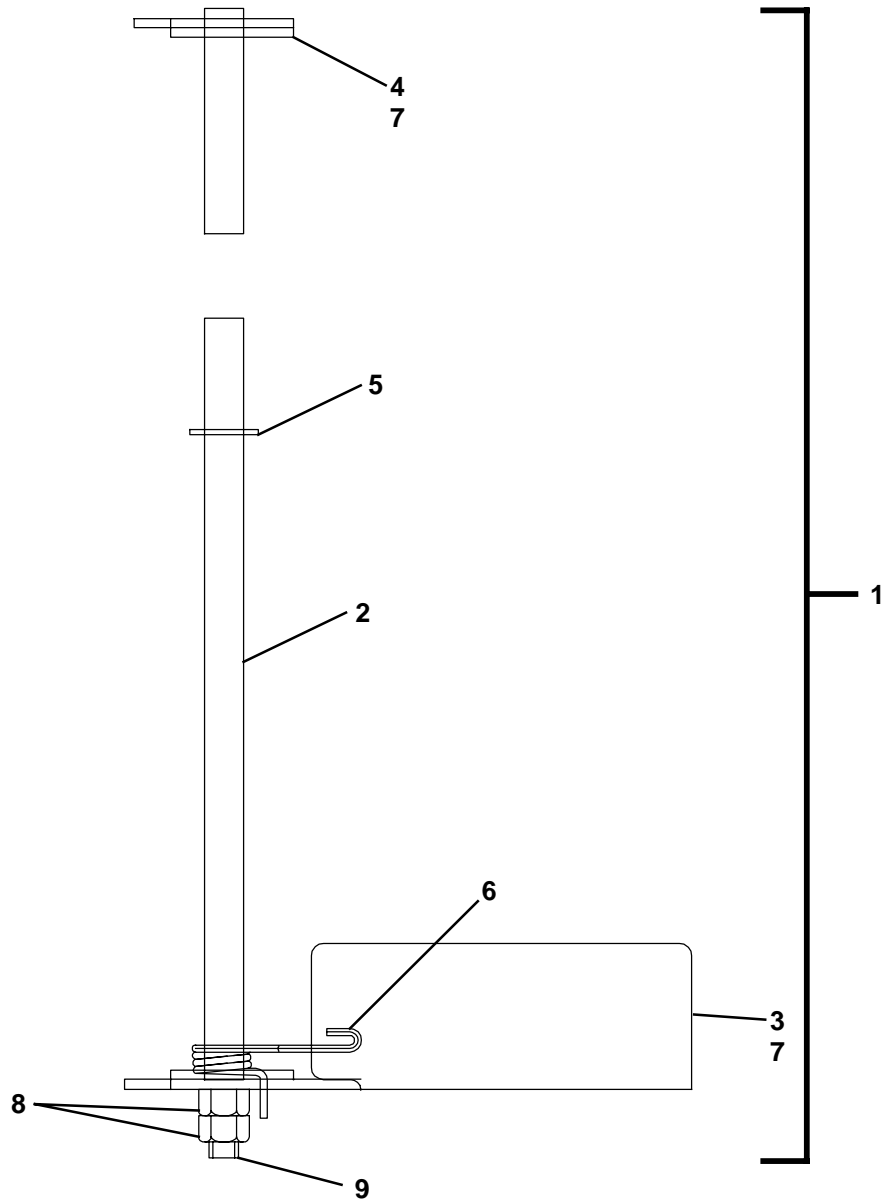
2 Door and Grille Assemblies (Continued)

Item	Part Number	Description	Qty
19	58-01302-03	Door Assembly, Front, Curbside - Includes:	1
3	34-06122-00	Rivet, Blind, 5/32 Dia, .040-.295 Grip Range (NSI)	2
4	58-04331-01	Cap, Trim	4
5	58-04332-00	Trim, Automotive (6 Foot, Cut to Length)	A/R
16	34-00655-06	Screw, Hex Head With Cap Washer 1/4-20 x 3/4 lg - SAE	8
17	68-11566-00	Plate - SST	1
20	44-00320-01	Hinge, Release, Pull Pin - SST	1
21	44-01152-01	Hinge, Male - SST	1
NS	34-00662-11	Washer, Plain, 1/4 - SST	8
NS	34-00663-11	Washer, Spring Lock, 1/4 - SST (NSI)	8
23	86-02924-00	Plate Assembly, Nut (NSI)	2
22	58-01301-03	Door Assembly, Front, Roadside - Includes:	1
23	86-02924-00	Plate Assembly, Nut (NSI)	2
3	34-06122-00	Rivet, Blind, 5/32 Dia, .040-.295 Grip Range (NSI)	2
4	58-04331-01	Cap, Trim	2
5	58-04332-00	Trim, Automotive (6 Foot, Cut to Length)	A/R
37	34-00918-06	Screw, Hex Head With Cap Washer 1/4-20 x 3/4 lg - SAE	18
17	68-11566-00	Plate - SST	1
24	44-01152-00	Hinge, Male - SST	1
25	34-00216-18	Screw, Round Head	1
26	34-00360-09	Nut, Lock #10-32	1
27	34-00366-09	Washer, Plain, #10 (NSI)	1
28	44-00320-00	Hinge, Release, Pull Pin - SST	1
29	58-00913-00	Bumper	1
30	-	Latch Assembly - Refer to Section 2.1	-
31	86-02926-00	Plate Assembly, Nut - Door (NSI)	2
32	68-11531-00	Channel - SST	1
33	68-07349-00	Channel - SST (NSI)	1
34	68-11566-00	Plate - SST	1
35	58-00536-02	Bumper, Door	3
36	58-01326-02	Grille, Front - Includes:	1
3	34-06122-00	Rivet, Blind, 5/32 Dia, .040-.295 Grip Range (NSI)	4
4	58-04331-01	Cap, Trim	4
5	58-04332-00	Trim, Automotive (6 Foot, Cut to Length)	A/R
37	34-00918-06	Screw, Hex Head With Cap Washer 1/4-20 x 3/4 lg - SAE	A/R
7	34-06025-06	Screw, Hex Head With Cap Washer 1/4-20 x 1 - SAE	A/R
38	44-01156-01	Hinge, Pin, Grille	2
39	44-01156-00	Hinge, Pin, Grille	2
40	68-11615-00	Angle (NSI)	2
41	68-11615-01	Angle (NSI)	1
42	68-07409-00SV	Kit, Latch Pin Bracket	1
	68-07410-00SV	Kit, Latch Pin Bracket - Fresh Air	A/R

2 Door and Grille Assemblies (Continued)

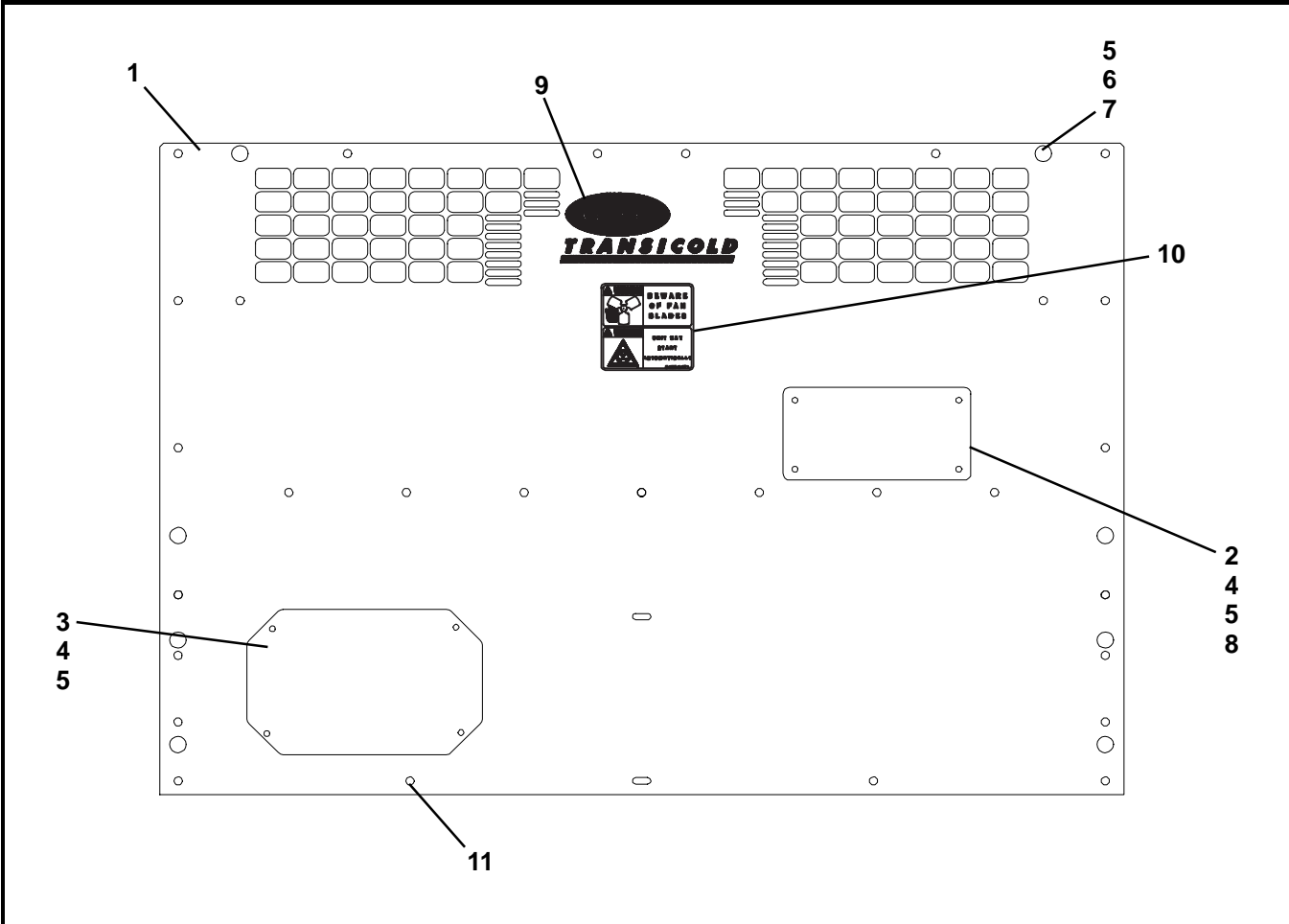
Item	Part Number	Description	Qty
43	68-12588-00	Bracket (NSI)	1
44	58-04194-00	Bumper, Molded With 5/16-18 Stud	2
45	58-04097-00	Gasket	2
46	58-01288-03	Rivet, Ratchet	16
47	34-06040-00	Nut, Speed "U" Type	3
48	34-00662-20	Washer, Plain, Special	34
49	68-07204-01	Angle, Grille	2
50	44-01150-00SV	Pin, Door Latch	2
51	44-00389-00	Hinge, Leaf (Weld on)	4
52	44-00390-00	Hinge, Leaf (Weld on)	4
NS	76-00693-00	Bolt-on Hinge Kit (Front Door)	-
NS	76-00532-00	Bolt-on Hinge Kit (Side Door)	-
53	42-00507-00	Gasket, Front Grille, Lower	2

2.1 Door and Grille Assemblies - Latch Assembly



Item	Part Number	Description	Qty
1	86-04189-00	Latch and Rod Assembly - Includes:	1
2	56-06936-00	Tube, Latch	1
3	68-11535-00	Handle, Latch	1
4	68-11534-00	Latch, Door	1
5	34-00829-15	Washer, Flat, 1/2 SAE, .060 Thick	1
6	73-00329-00	Spring	1
7	68-12176-00	Latch, Door	2
8	34-00666-13	Nut, Hex, 3/8-16	2
9	48-00269-00	Adapter	1

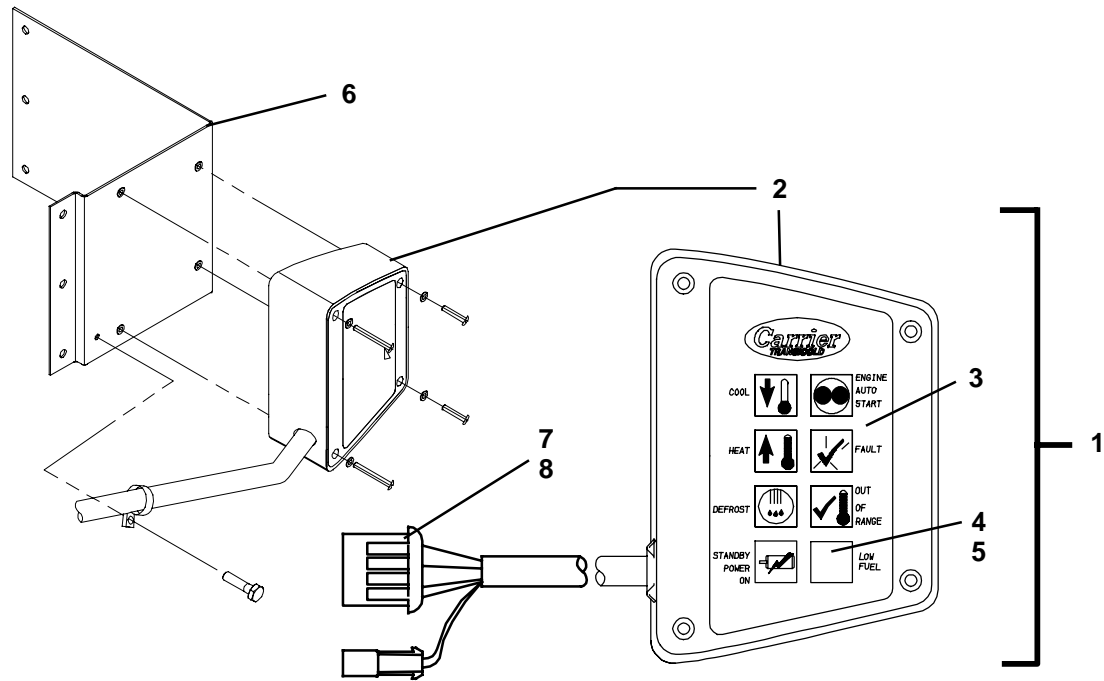
2.2 Door and Grille Assemblies - Back Panel and Grille



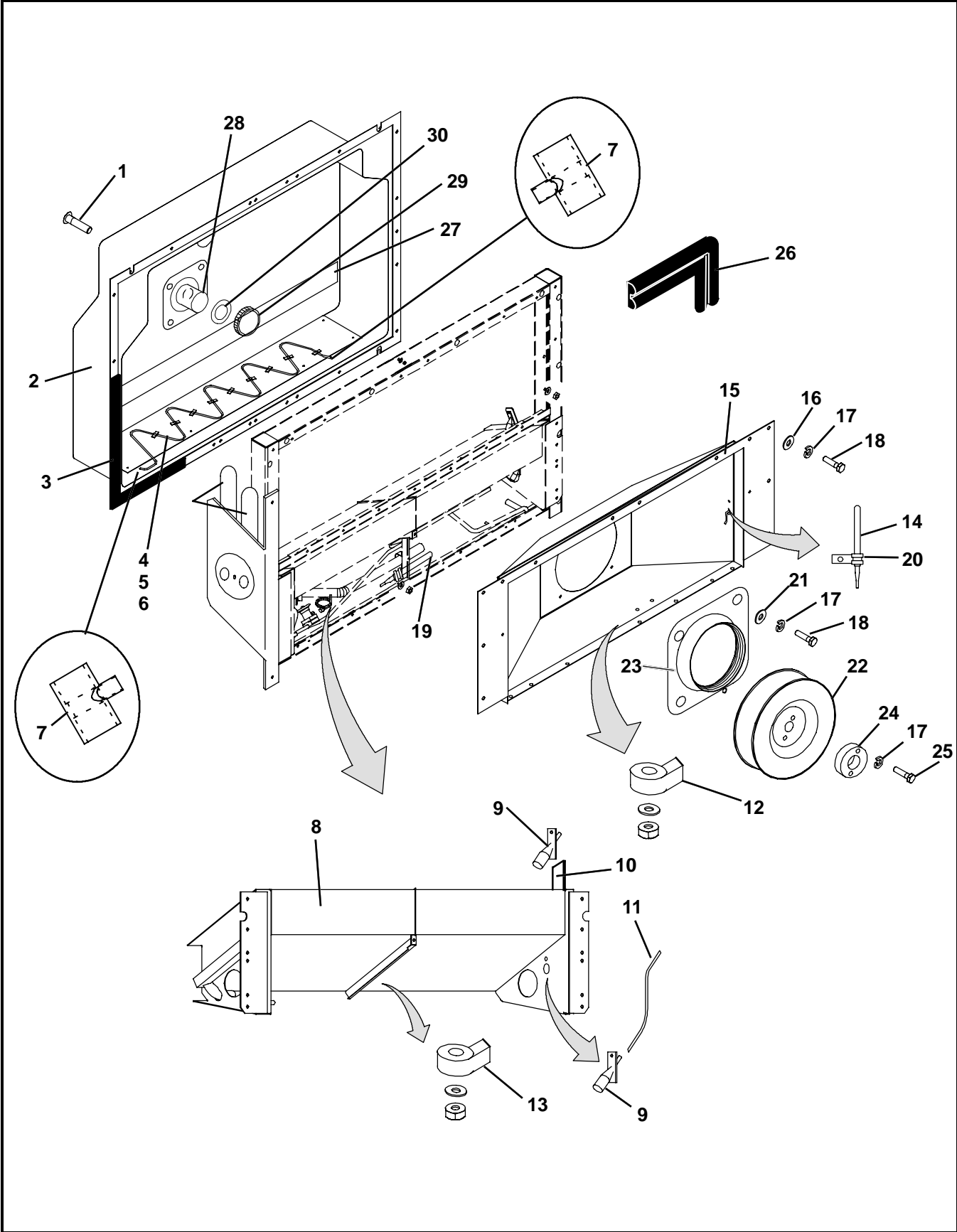
Item	Part Number	Description	Qty
1	79-02328-00	Panel, Back - Includes:	1
2	68-07236-00	Panel, Access - Includes: (NSI)	1
3	68-12667-00	Panel, TXV Cover - Includes: (NSI)	1
4	34-06051-36	Riv-nut, 1/4-20, Brass	8
5	34-00663-11	Washer, Lock, 1/4 - SST (NSI)	8
6	34-00662-20	Washer, Plain 9/32 ID - SST	A/R
7	34-06003-08	Washer, Plain 9/32 ID - SST	A/R
8	42-00256-00	Gasket, Back Panel - Horizontal (NSI)	1
NS	42-00393-00	Gasket, Back Panel (NSI)	2
NS	42-00392-00	Gasket, Back Panel (NSI)	1
9	62-03882-00	Decal, Carrier Transicold	1
10	62-02509-00	Decal, WARNING	1
NS	68-12666-00	Bracket, Support - Includes: (NSI)	1
NS	34-06051-06	Riv-nut, 1/4-20	A/R
11	34-00918-06	Screw, Hex Washer-head, 1/4-20 x .75 Inch Long	A/R

3 FfUa Y

Item	Part Number	Description	Qty
NS	79-02327-06	Frame Assembly, Main - Includes:	1
NS	34-06051-04	Riv-nut	A/R
NS	34-06051-07	Riv-nut	A/R
NS	58-04099-04	Plug, Rubber, 1.737 x 2.737 (NSI)	A/R
NS	58-04099-02	Plug, Rubber, 1.280 x 2.280 (NSI)	A/R
NS	79-02327-07	Frame Assembly, Condenser - Includes: (NSI)	1
NS	34-06051-07	Riv-nut	A/R
NS	34-06051-11	Riv-nut (NSI)	A/R
NS	58-04099-01	Plug, Rubber, 1.110 x 2.360 (NSI)	A/R
NS	58-04099-02	Plug, Rubber, 1.280 x 2.280 (NSI)	A/R
NS	34-06051-18	Riv-nut	A/R

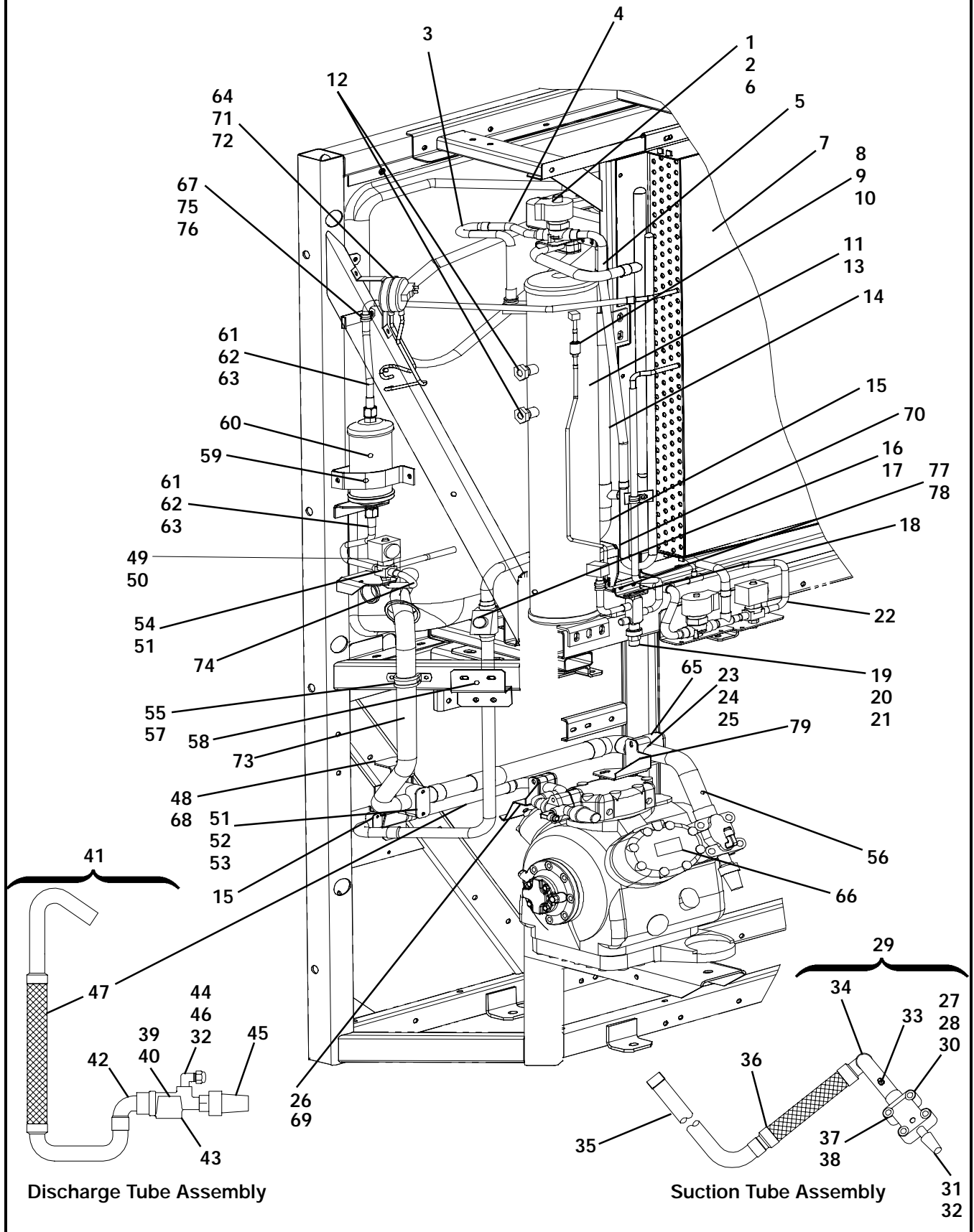


Item	Part Number	Description	Qty
1	76-50001-01	Kit, Light Bar Assembly - Includes:	1
2	22-01465-51SV	Housing, Light Bar - Includes:	1
3	22-01465-50	Decal, Light Bar Face	1
4	22-01467-00	Lamp, Wedge Base	8
5	22-01468-20	Holder, Lamp	A/R
6	68-11009-00	Bracket, Light Bar Mounting	1
7	22-50078-04SV	Connector, Male 8-Wire (Mates With 22-50078-03)	1
8	22-50078-03SV	Connector, Female 8-Wire (Mates With 22-50078-04)	1



5 Ej UdcfUrcf 5 ggYa V'm (7 obt]bi YXL

Item	Part Number	Description	Qty
1	34-00960-16	Screw, Socket, Flat Head, 1/4-20 x 1 (NSI)	4
2	58-04322-00	Pod, Evaporator (NSI), Curbside Electric Inlet	1
	58-04322-01	Pod, Evaporator (NSI), Roadside Electric Inlet	
3	42-01156-00	Gasket, Evaporator Pod to Evaporator Frame	1
4	86-04249-00	Defrost Plate Assembly - Includes:	1
5	NSS	Plate, Defrost	1
6	NSS	Tube, Serpentine	1
7	40-00169-05	Tee, Reducer, 5/8 X 5/8 X 1/4 Inch	2
8	08-00225-00	Coil, Evaporator	1
NS	08-00197-01	Heat Exchanger	1
NS	14-00232-25SV	Valve, Expansion (TXV) - Includes:	1
NS	14-00176-02	Strainer	1
9	58-00793-00	Fitting, Air Sensing	2
10	68-10745-00	Bracket, Air Sensing Fitting	1
11	58-01071-00F25	Tube, Vinyl (25 ft cut to length)	A/R
NS	22-01941-00	Harness, DTT & SAS - Includes:	1
12	12-00256-08	Thermostat, Defrost Termination (Klixon)(DTT1)	1
13	12-00256-21	Thermostat, Defrost Termination (Klixon)(DTT2)	1
14	12-00523-01	Thermistor (SAS)	1
15	86-02961-00	Housing, Blower (NSI)	1
16	34-00662-11	Washer, Plain, 1/4 - SST	A/R
17	34-00663-11	Washer, Lock, 1/4 - SST (NSI)	A/R
18	34-00655-06	Screw, Machine Hex Head, 1/4-20 x 3/4 w/cap washer - SST (NSI)	A/R
19	22-01636-01	Sensor Assembly, RAS - Includes:	1
NS	22-50078-01SV	Connector, Male	1
NS	12-01072-11SV	Sensor, Thermostat	1
NS	22-50078-02SV	Connector, Female (Mating Part 22-50078-01SV)	A/R
20	34-00373-51	Clamp, Sensor - SST	2
21	34-00662-20	Washer, 9/32 ID (Special) - SST	A/R
22	38-00530-02SV	Blower, Evaporator - Includes:	1
23	58-01331-00	Venturi, Fan, Evaporator	1
24	04-00122-30	Bushing, Split Taper - Includes:	1
25	PL	Bolt, Hex Head Capscrew, 1/4-20 x 1.25 Inches	2
26	58-01278-00	Seal, Unit to Trailer	1
27	42-00258-00	Gasket, Rear Wall Pod	1
NS	56-07296-00	Tube, Hot Gas	1
NS	58-00253-00	Kazoo (Located on end of drain hose)	2
NS	58-00772-06	Hose, Drain, Molded (Cut to length)	2
NS	58-00712-15	Clamp, Drain Hose	2
NS	86-04240-00	Frame, Evaporator (NSI)	1
NS	68-12679-00	Bracket, TXV Support	1
NS	42-00255-00	Gasket, Lower Housing	1
28	42-00372-00	Seal, Fan Shaft Pod	1
29	44-01140-06	Clamp, Pod Seal	1
30	68-12580-00	Ring, Pod Seal	1
NS	42-00386-00	Gasket, Drain Tube	1



6 RYZ[[YfU]cb'7 ca dcbYbfg f'7 cb]bi YXL

Item	Part Number	Description	Qty
1	81-01918-00	Valve Assembly (SV1) - Includes: (NSI)	1
2	NS	Valve, Solenoid (SV1) - Refer to Section 6.2	1
3	56-06942-04	Tube	1
4	56-06943-00	Tube	1
5	56-08291-00	Tube	1
6	86-02803-00	Bracket, Mounting (SV1)	1
7	08-00224-00	Coil, Condenser/Radiator	1
8	81-01500-00	Valve Assembly, Check - Includes: (NSI)	1
9	14-00199-00	Check Valve	1
10	56-07249-00	Tube (NSI)	1
11	65-01078-00	Receiver Assembly - Prior to S/N FAZ90454956	1
12	14-00220-00	Sight-glass - Red Balls	1
	14-00111-00	Sight-glass - White Balls	1
13	14-01032-00	Plug, Fusible, 1/4 mpt, Brass	1
11	65-01085-00	Receiver Assembly - Starting with S/N FAZ90454956	1
12	65-00168-24	Sightglass With O-Ring - Includes:	1
NS	65-00168-22	O-Ring	1
13	65-01085-23	Plug, Fusible, With O-Ring, 1/4 mpt, Brass - Includes:	1
NS	65-01085-22	O-Ring	1
14	81-01492-00	Tube Assembly, Discharge (NSI)	1
15	44-00285-60	Clamp, 7/8 Tube OD	2
16	81-01521-00	Valve Assembly, Check - Includes: (NSI)	1
17	14-01122-05	Valve, Check- Includes:	1
NS	14-01122-50	Bonnet	1
NS	14-01122-51	Spring, 1/4 LB/IN	1
NS	14-01122-52	Seat / Piston	1
NS	14-01122-53	Gasket, Check Valve	1
NS	14-01122-56	Spring, Check Valve	1
18	68-06986-00	Bracket, King Valve (NSI)	1
19	81-01493-00	Tube Assembly, King Valve - Includes: (NSI)	1
20	40-00501-02	Valve, King - Includes:	1
21	40-00501-50	Cap	1
22	NS	Valve, Solenoid (SV2 & SV4) - Refer to Section 6.2	2
23	34-00300-24	Screw, Hex Head, 1/4-20 x 3 lg, Grade 5 (NSI)	4
24	34-00366-11	Washer, Plain, 1/4	8
25	34-00361-11	Locknut, 1/4-20	6
26	68-11848-01	Plate Assembly, Discharge	1
27	17-44141-00	Gasket, Suction Service Valve (Metal)	1
28	58-00869-00	Filter, Suction Service Valve	1
29	81-01318-05	Valve Assembly, Suction Line - Includes: (NSI)	1
30	17-40002-01	Valve, Suction Service - Includes:	1
31	17-10812-00	Cap, Service Valve (Plastic) - Includes:	1
32	17-40005-05	Gasket, Seal	1
33	40-01124-00	Valve Body	1
34	56-06897-01	Tube	1
35	56-07041-00	Tube, Suction (NSI)	1

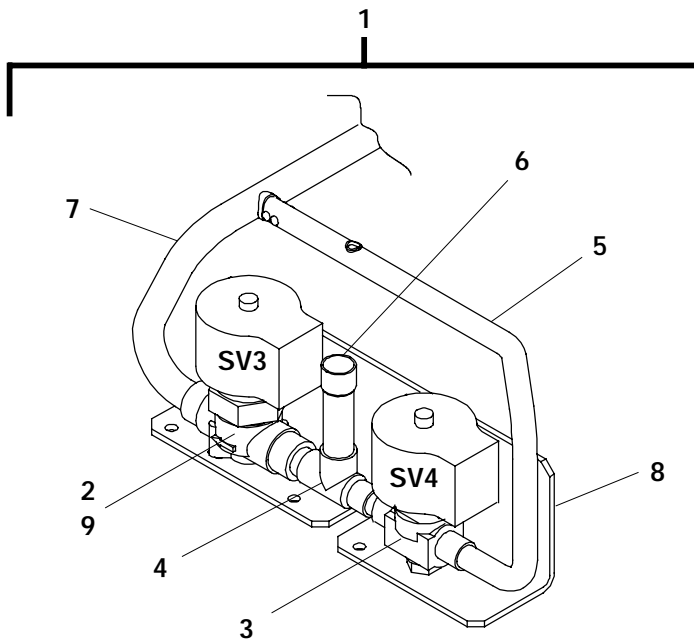
6 RYZ][YfU]cb'7 ca dcbYb]g'f' cb]bi YXL

Item	Part Number	Description	Qty
36	73-00325-01	Vibrasorber, Suction	1
31	17-10806-10	Cap, Service Valve (Brass)	1
37	34-06038-00	Washer Special (NSI)	4
38	34-00308-20	Screw, Hex Head - 1/2-13 x 2.50 Long, Grade 5 (NSI)	4
39	34-00302-14	Screw, Hex Head, 5/16-18 x 1-3/4 Long, Grade 5 (NSI)	2
40	17-40013-00	Gasket, Screw	2
41	81-01381-00	Discharge Valve Assembly - Includes: (NSI)	1
42	40-00072-07	Elbow	1
43	14-01042-04	Valve, Discharge Service - Includes:	1
32	17-10812-00	Cap, Service Valve (Plastic) - Includes:	1
44	17-40005-05	Gasket, Valve Cap	1
45	40-00086-04	Cap, Seal	2
46	40-00102-04	Elbow, 1/4 MFL x 1/4 mpt	2
47	73-00326-01	Vibrasorber, Discharge	1
48	86-03008-00	Discharge Line Bracket	1
NS	17-44138-00	Gasket, Discharge Service Valve (Metal)	1
49	14-00348-05	Valve Assembly, SV2 - Includes:	1
50	NS	Valve, Solenoid - Refer to Section 6.2	1
51	34-00368-11	Washer, Lock, 1/4 Spring	A/R
52	34-00300-26	Screw, Hex Head, 1/4-20 x 3.25 Long, Grade 5 (NSI)	2
53	44-00285-40	Clamp	1
54	34-00300-18	Screw, Hex Head, 1/4-20 x 2.25 Long, Grade 5 (NSI)	4
55	34-00918-06	Screw, Hex Head, 1/4-20 x 3/4 Long With Cap Washer, Grade 5 - SAE	27
56	12-00283-00	Suction Transducer	1
57	44-01028-13	Clamp, Tube (NSI)	1
58	68-12677-00	Bracket (NSI)	1
59	68-11547-00	Bracket, Drier	1
60	14-00209-00	Drier, Filter	1
61	81-01498-00	Tube Assembly, Filter Drier - Includes: (NSI)	1
62	40-60029-02	Fitting (NSI)	1
63	56-07251-00	Tube (NSI)	1
64	12-01039-08	Switch, Air Pressure	1
65	44-00285-20	Clamp, 1-3/8 OD Tube	1
NS	62-03797-02	Label, Compressor Oil Charge - Located on Compressor (NSI)	1
66	62-03797-11	Label - R404A	3
67	58-01071-00F25	Tube, Low Pressure (25 Feet, Cut to Length)	A/R
68	68-11849-00	Bracket, Suction/Discharge Line Support	1
69	68-06985-00	Bracket, Discharge Line Support	1
70	86-04257-00	Bracket Assembly, Discharge Line	1
71	68-07673-00	Bracket, Air Pressure Switch	1
72	34-06051-06	Rivnut, 1/4-20	A/R
73	56-07253-00	Tube, 1-3/8 OD	1
74	56-03757-00	Tube, 1/2 OD	1
75	34-00373-05	Clamp, Tube, .50 Diameter Cushion	4

6 RYZ[[YfU]cb'l b]hg f' cb]bi YXL

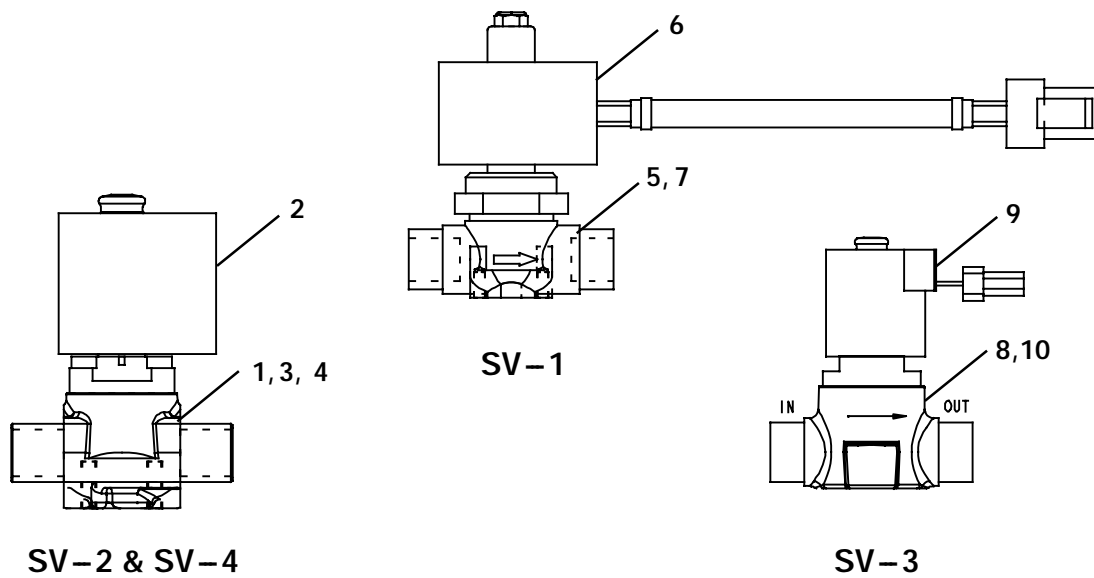
Item	Part Number	Description	Qty
76	34-00918-08	Screw, Hex Head, 1/4-20 x 1.0 Inch Long With Cap Washer, Grade 5 - SAE	11
77	34-00918-04	Screw, Hex Head, 1/4-20 x 0.50 Inch Long With Cap Washer, Grade 5 - SAE	1
78	44-01134-04	Clamp, Tube, .25 ID Cushion	3
79	68-07821-00	Bracket, Suction	1

6.1 Refrigeration Components - SV3 & SV4 Valve Assembly



Item	Part Number	Description	Qty
1	81-02617-00SV	Valve, Assembly, SV3 & SV4 - Includes: (NSI)	1
2	-	Valve, Solenoid (SV3) - Refer to Section 6.2, Item 8	1
3	-	Valve, Solenoid (SV4) - Refer to Section 6.2, Item 1	1
4	40-00169-06	Tee, Reducing (NSI)	1
5	56-03811-00	Tube, 1/2 O.D.	1
6	56-07257-00	Tube, 5/8 O.D.	1
7	56-03812-00	Tube, 5/8 O.D.	1
8	68-07996-00	Bracket	1
9	34-00996-08	Screw, Hex Head, #8-32 x 0.50 Long	4

6.2 Refrigeration Components - Solenoid Valves

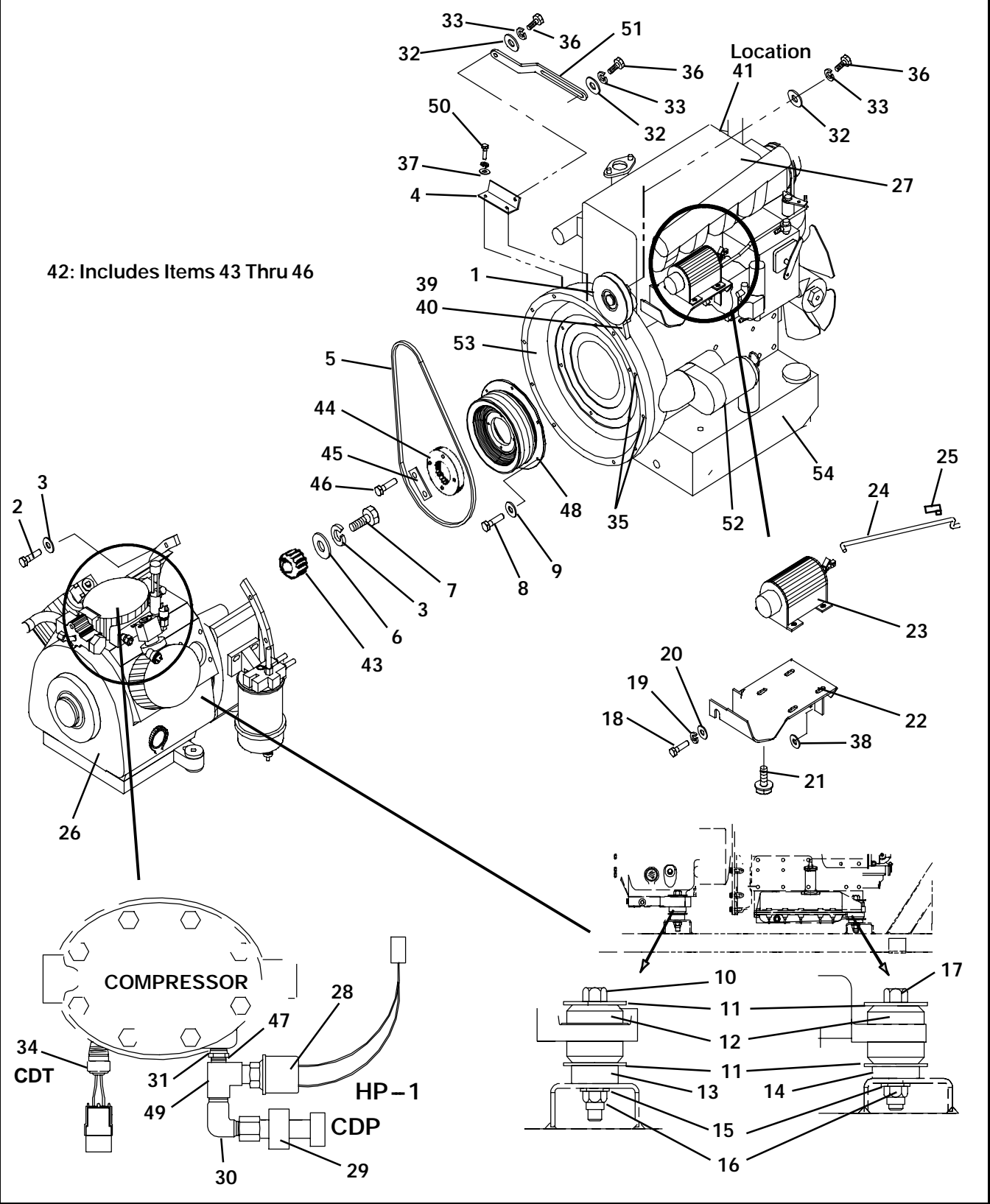


Item	Part Number	Description	Qty
1	14-00350-01	Valve, Solenoid (SV-2 & SV-4)	1
2	22-02579-02	Coil (12 vdc) (Plug Connection) - Includes:	1
NS	22-50078-02SV	Connector, Female	1
3	14-00150-51	Kit, Repair (SV-2 and SV-4) - Includes:	1
4	14-50052-01	Seal Kit, SV-2 and SV-4 (12 Teflon and 12 Neoprene Seals)	1
5	14-01114-00	Valve, Solenoid (SV-1) - Includes:	1
6	14-00147-05	Coil (12 vdc) (Spade Terminals)	1
7	14-01114-51	Kit, Repair (SV-1)	1
8	14-00319-00	Valve, Solenoid (SV-3) - Includes:	1
9	22-02805-00	Coil (12 vdc)	1
10	14-00319-50	Kit, Repair (SV-3)	1

7 Fi Y'Di a d'UbX'Hub_ f7 cbl7bi YX

Item	Part Number	Description	Qty
8	65-01060-12	Tank, Fuel, 30 Gallon - 22" Diameter (Single End Fill) Aluminum	1
	65-01060-13	Tank, Fuel, 50 Gallon - 18" Diameter (Single End Fill) (NSI)Aluminum, Anti-siphon (NSI)	
	65-00113-00	Tank, Fuel, 50 Gallon - 18" Diameter (Single End Fill) (NSI)	
	65-01060-10	Tank, Fuel, 50 Gallon - 22" Diameter (Single End Fill) Aluminum	
	65-01060-11	Tank, Fuel, 50 Gallon - 22" Diameter (Single End Fill) Aluminum, Anti-siphon (NSI)	
	65-00098-12	Tank, Fuel, 75 Gallon -- 22" Diameter (Single End Fill) (NSI)	
	65-01081-01	Tank, Fuel, 100 Gallon - 22" Diameter (Single End Fill) (NSI)	
	65-01081-02	Tank, Fuel, 100 Gallon - 22" Diameter (Double End Fill) (NSI)	
	65-00098-03	Tank, Fuel, 100 Gallon - 22" Diameter (Single End Fill, End Drain) (NSI)	
	65-00098-04	Tank, Fuel, 100 Gallon - 22" Diameter (Double End Fill, End Drain) (NSI)	
	65-01081-06	Tank, Fuel, 120 Gallon - 22" Diameter (Single End Fill) (NSI)	
	65-00098-06	Tank, Fuel, 120 Gallon - 22" Diameter (Double End Fill) (NSI)	
	65-00098-07	Tank, Fuel, 120 Gallon - 22" Diameter (Single End Fill, End Drain) (NSI)	
	65-00098-08	Tank, Fuel, 120 Gallon - 22" Diameter (Double End Fill, End Drain) (NSI)	
9	44-00046-08	Cap and Chain (Vented Type)	1
	44-00046-01	Cap and Chain (Non-Vented Type)	
	44-00046-03	Cap and Chain (Non-Vented Type - Key Lock)	
	44-00046-04	Cap and Chain (Non-Vented Type - Aluminum)	
10	12-01141-00	Fuel Gauge (With Float Arm) (on 65-01060-00,-01,-02,-03) - Includes:	1
11	12-01141-20	Dial, Fuel Gauge	1
NS	12-01141-21	Gasket, Fuel Gauge	1
10	12-00104-99	Fuel Gauge (With Float Arm) - Includes:	1
11	12-00104-03	Dial, Fuel Gauge	1
12	81-00961-00	Drain (On Tanks So Equipped)	2
13	65-01053-02	Tube Assembly (Pick-up and Return) (For 22" Dia Tank)	2
14	PL	Locknut, 3/8 - SST	A/R
15	PL	Locknut, 1/2-13 - SST	A/R
16	34-00699-14	Washer, Special - SST (NSI)	A/R
17	PL	Bolt, Hex Head, 3/8-24 x 1-3/4 - SST (NSI)	A/R
18	PL	Bolt, Hex Head, 1/2-13 x 1-1/2 - SST	A/R
19	79-00916-06	Strap Assembly, 50 Gallon Tank - 18" Diameter	2
	79-01623-06	Package, Strap Assembly, 30/50/75/100/120 Gallon Tank - 22" Diameter - Includes:	A/R
NS	58-04015-03	Gasket	1
NS	NSS	Strap Assembly	2
20	PL	Bolt, Hex Head, 1/2-13 x 3-3/4 - SST	A/R
21	68-03811-00	Bracket, Offset Hanger (Style D)	A/R
22	68-03812-00	Plate, Back-up (Used With Style D Hanger Bracket)	A/R
23	PL	Washer, Flat, 3/8 - SST	A/R
24	22-01443-00F150	Cable, Shielded (For Fuel Pump) (150 Feet Long, Cut To Length)	A/R
NS	40-00117-01	Drain Cock, Sump - 1/4 npt	1

8 Dfj Y5 ggYa Vm
 8.1 Drive Assembly



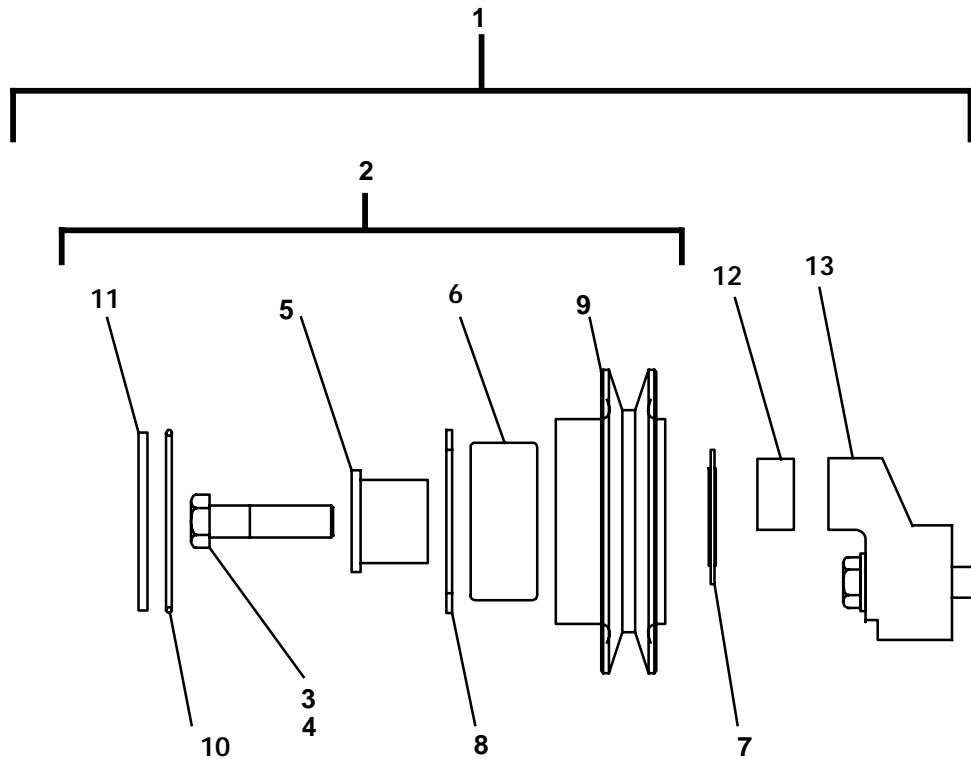
8.1 Drive Assembly (Continued)

Item	Part Number	Description	Qty
1	-	Idler Assembly - Refer to Section 8.2	1
2	34-00304-08	Bolt, Hex Head, 3/8-16 x 1 Long, Grade 5	A/R
3	PL	Washer, Lock, 3/8	9
4	68-11608-00	Angle	1
5	50-00178-16	V-Belt, Compressor Drive	1
6	34-00616-00	Washer, Special	1
7	34-00559-08	Bolt, Hex Head, 3/8-24 x 1 Long, Grade 8 - SAE	1
8	34-01241-20	Bolt, Hex Head, M8 x 20 mm	6
9	34-00945-08	Washer, Lock, M8	6
10	34-00676-40	Bolt, Cap Hex Head, 5/8-18 x 5 Long, Grade 8	2
11	34-00890-07	Washer, Snubbing, 1/8 Thick	8
12	73-00160-00	Shockmount	4
13	48-00273-00	Spacer, Compressor Mount, 2 1/8" Diameter X 3/4" Tall	2
14	48-00273-02	Spacer, Engine Mount, 2 1/8" Diameter X 1/2" Tall	2
15	34-00366-17	Washer, Plain, 5/8	4
16	34-00927-00	Nut, Self Lock, 5/8-18 UNF	4
17	34-00676-36	Bolt, Cap Hex Head, 5/8-18 x 4-1/2 Long, Grade 8	2
18	34-00962-25	Screw, Cap Hex Head, M12 x 25 mm	1
19	34-00945-12	Washer, Lock, M12	1
20	34-00944-12	Washer, Plain, M12	1
21	34-00918-06	Screw, Machine, Hex Head, 1/4-20 x 3/4 Long With Cap Washer, Grade 5	4
22	86-02932-00	Bracket, Solenoid	1
23	10-01178-00	Solenoid, Speed Control	1
24	73-00324-00SV	Linkage, Rod - Includes:	1
25	44-01049-01	Clevis Clip, Control Rod	2
26	18-00059-72RM	Compressor, 05G, 41 CFM - Remanufactured	1
27	26-00119-00	Engine, Kubota, (2.2 V2203-DI)	1
28	12-00309-04	Switch, Pressure 465/350 PSIG - HP1	1
29	12-00299-16	Switch, Pressure 200/300 PSIG - HP2	1
30	40-00102-03	Elbow, 1/4 Flare x 1/8 npt	1
31	40-00121-01	Bushing, 1/4 npt x 1/8 npt	1
32	PL	Washer, Plain, 5/16	2
33	PL	Washer, Lock, 5/16	2
34	12-00284-00	Sensor, Compressor Discharge Temperature (CDT)	1
35	34-00304-10	Screw, Hex Head Cap, 3/8-16 x 1-1/4 Long, Grade 5	2
36	34-00302-10	Screw, Hex Head, 5/16-18 x 1-1/4 Long, SAE, Grade 5 (NSI)	2
37	34-00944-08	Washer, Plain, M8	2
38	34-00944-10	Washer, Plain, M10	4
39	34-00309-14	Screw, Hex Head, 1/2-20 x 1.75 lg (NSI)	1
40	34-00368-15	Lockwasher, 1/2	1
41	12-00312-01	Water Temperature Sensor	1
42	48-50005-00	Gear Package, Drive - Includes:	1
43	NSS	Gear, Compressor Driven	1
44	NSS	Gear, Nylon Drive	1
45	NSS	Bar, Gear Locking	3
46	PL	Screw, Cap Hex Head, 3/8-16	6

8.1 Drive Assembly (Continued)

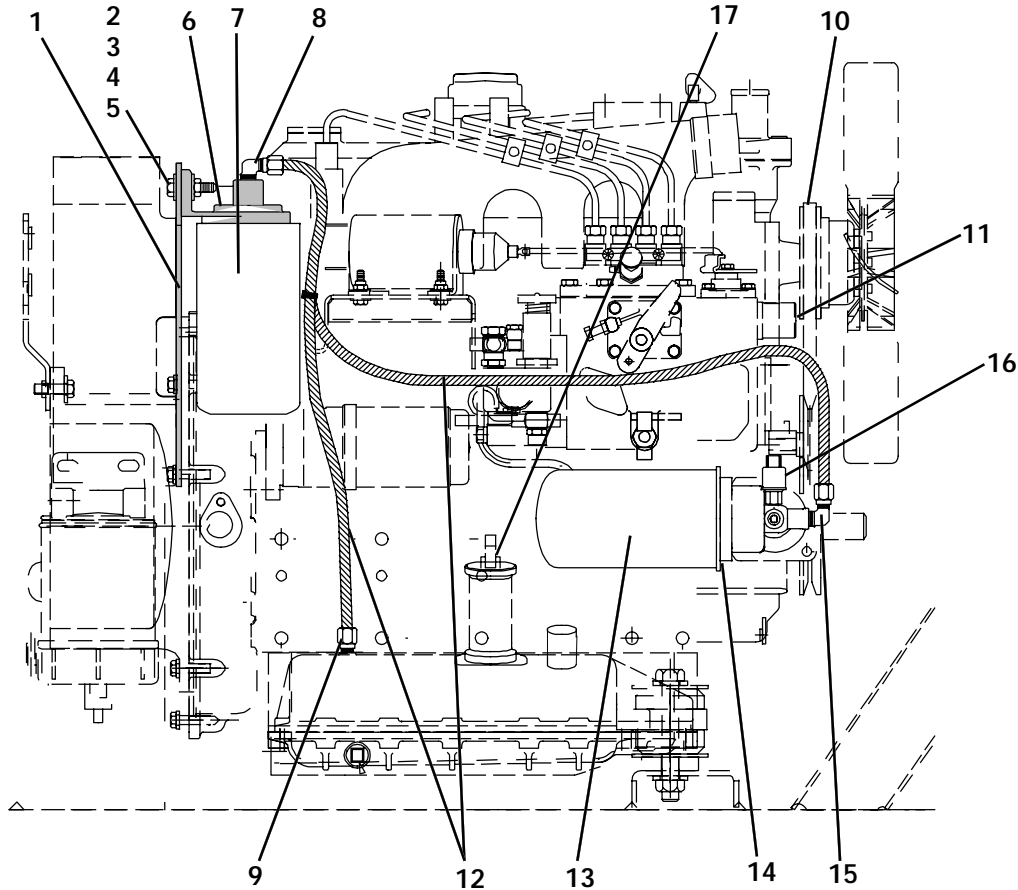
Item	Part Number	Description	Qty
47	48-00181-00	Plug, Orifice (NSI)	1
48	48-00327-00	Sheave	1
49	40-00243-00	Tee, Street, 1/8 mpt x 1/8 x 1/8 fpt, Brass	1
50	25-35384-00	Screw, Cap Hex Head, m8 x 20mm	2
51	68-07438-03	Strap, Mounting	1
52	25-39291-00	Starter, 2 kw	1
53	25-39293-00	Bell Housing	1
54	25-39292-00	Oil Pan	1
NS	22-50078-02SV	Connector, Female (Located on Unit Harness)	1
NS	12-00284-00	Sensor, Compressor Discharge Temperature (CDT)	1
NS	25-38109-00	Fuel Solenoid	1
NS	22-50078-02SV	Connector, Female (Located on Unit Harness)	1
NS	40-00435-04	Plug, Square Head, 1/2-14 npt (In Coolant Temperature Port On Engine) (NSI)	1

8.2 Drive Assembly - Idler Assembly

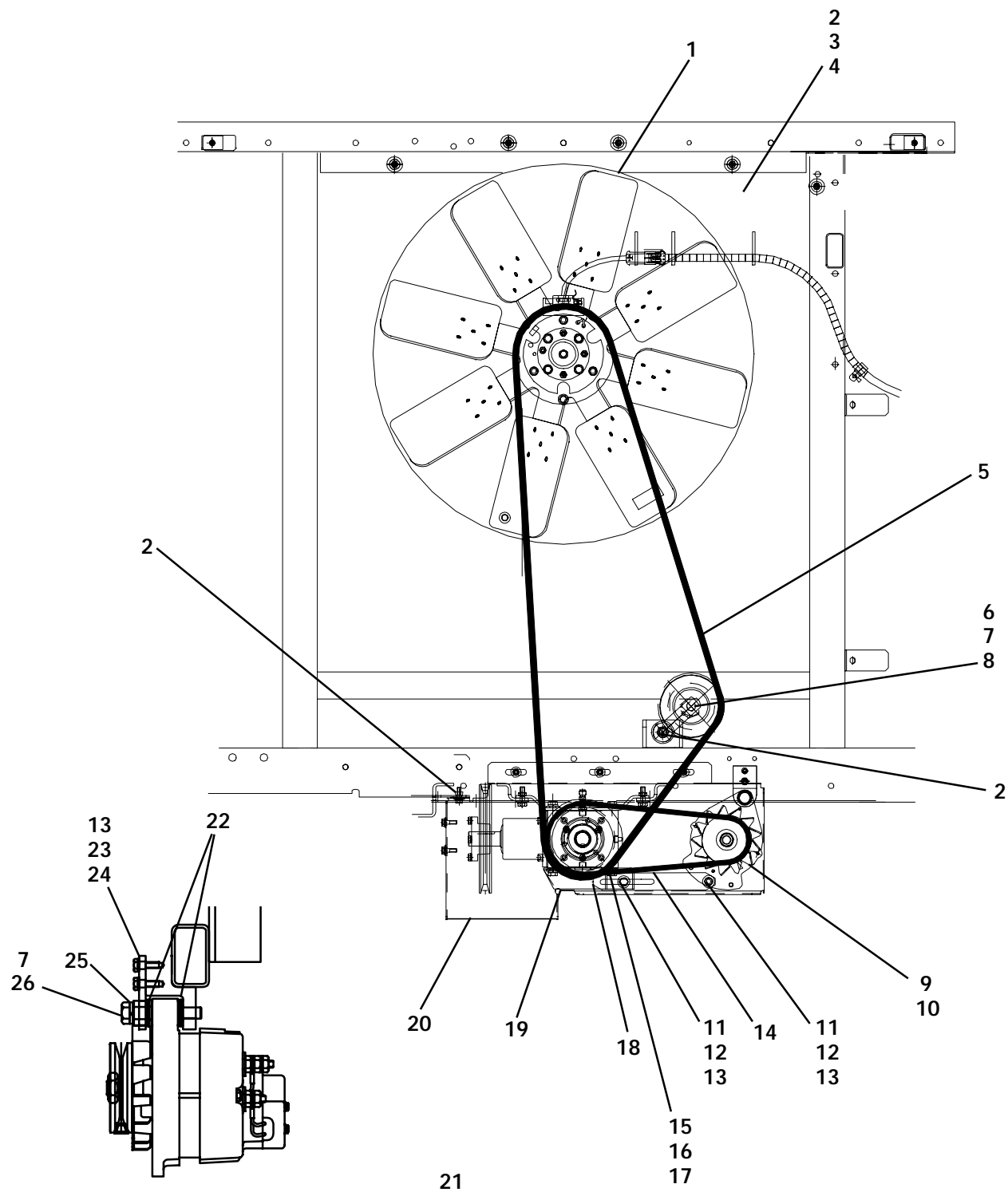


Item	Part Number	Description	Qty
1	50-01152-00	Idler Assembly Includes:	1
2	50-01152-22SV	Pulley Assembly, 4.50 Inch Diameter. - Includes:	1
3	48-00058-02	Bolt, Shoulder - Includes:	1
4	NSS	Ring, Retaining	1
5	50-01152-26	Bushing, Bearing	1
6	50-01152-25SV	Bearing, Idler Pulley - Includes:	1
7	NSS	Shield, Bearing	1
8	NSS	Ring, Snap	1
9	NSS	Bearing, Idler Pulley	1
10	NSS	O-Ring	1
11	NSS	Cover, Dust	1
12	48-00058-05	Spacer	1
13	48-00267-00	Bracket, Idler	1

9 OJ : JYf UbX 6 mDUgg CJ : JHYf 5 ggYa VJYg



Item	Part Number	Description	Qty
1	86-04056-01	Bracket Assembly, Mounting (Filter Head)	1
NS	58-00915-00	Grommet, Rubber (NSI)	1
2	34-00300-10	Screw, Hex Head, 1/4-20 x 1-1/4, Grade 5 (NSI)	3
3	PL	Washer, Plain, 1/4 SAE	6
4	PL	Washer, Lock, 1/4	3
5	PL	Nut, Hex, 1/4-20	3
6	30-00325-00	Head, Oil Filter	1
7	30-00304-00	Filter, Oil (By-Pass)	1
8	40-00342-03	Elbow, Male, 3/8 Tube x 1/4 npt	2
9	40-00507-00	Connector, Male, 3/8 Tube x M12 x 1-1/2	1
10	50-00162-04	V-belt, Water Pump	1
11	25-38109-00	Fuel Solenoid	1
12	58-00580-00	Tube, 0.375 OD	A/R
13	30-00323-00	Filter, Oil	1
14	25-37150-00	Adapter (For 30-00323-00 Filter)	1
15	40-00342-02	Elbow, Male, 3/8 Tube x 1/8 npt	1
16	12-00456-00	Switch, Oil Pressure	1
17	25-37085-00	Oil Fill Cap/Dipstick	1
NS	22-50078-02SV	Connector, Female (Located On Unit Harness) (Mating Part For Oil Pressure Switch)	A/R

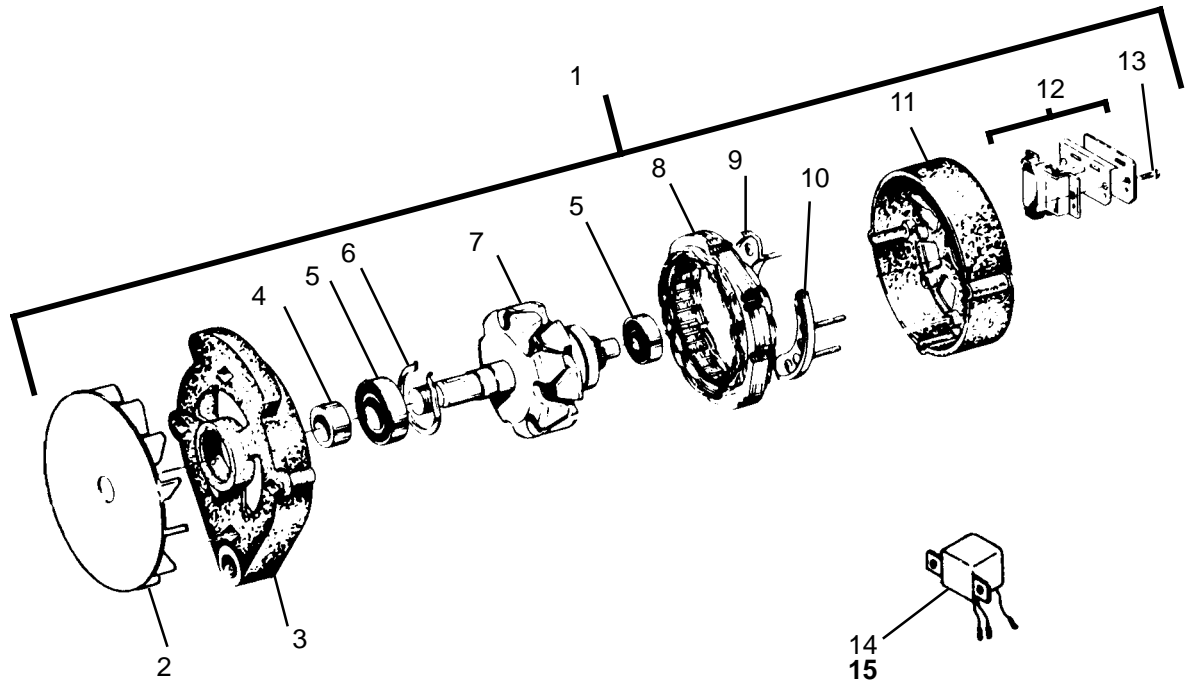


Alternator Detail

10 Pck Yf HfUjb 5 ggYa V mf7 cbl7bi YXŁ

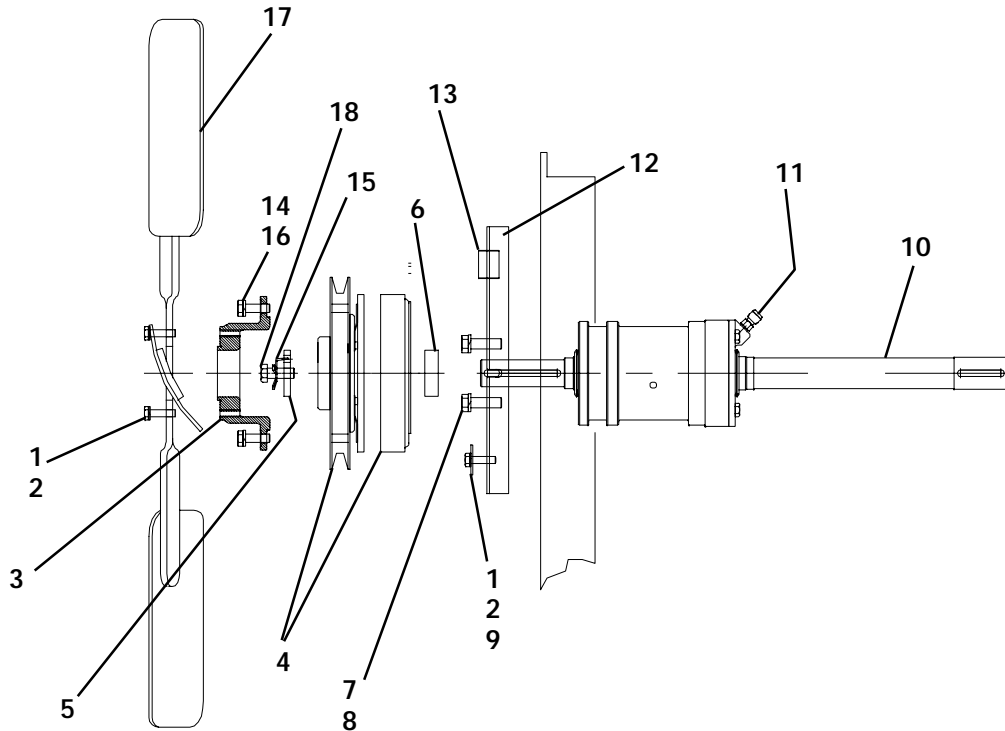
Item	Part Number	Description	Qty
1	-	Fan, Condenser - Refer to Section 10.2	1
2	34-00918-06	Screw, Hex Head, 1/4-20 x 3/4 Long With Cap Washer	A/R
3	34-00699-03	Washer, Plain, 1/4 ID x 1-1/8 OD	A/R
4	68-12431-00	Shroud, Condenser Coil	1
5	50-00178-20	V-Belt, Condenser Fan	1
6	50-01152-00	Idler Assembly	1
7	34-00368-15	Washer, Lock, 1/2 Spring	2
8	34-00309-12	Screw, Hex Head, 1/2-20 x 1-1/2 Grade 5	1
9	-	Alternator - Refer to Section 10.1	1
10	50-01127-12	Pulley, Alternator	1
11	34-00615-10	Screw, Cap, Hex Head, 5/16-18 x 1.25 Inch Long	2
12	34-01279-12	Washer, Lock, 5/16 (NSI)	2
13	PL	Washer, Lock 5/16	3
14	50-00179-10	V-Belt, Alternator	1
15	34-00304-08	Screw, Hex Head Cap, 3/8-16 x 1 Inch Long	3
16	PL	Washer, Plain, 3/8	3
17	PL	Washer, Lock, 3/8	3
18	68-07438-03	Strap, Mounting	1
19	86-04232-00	Bracket Assembly, Alternator Strap	1
20	79-02316-00	Guard, Belt - Includes:	1
2	34-00918-06	Screw, Hex Head, 1/4-20 x 3/4 Long With Cap Washer	A/R
21	34-06051-07	Rivnut	1
22	34-00588-15	Washer, Plain, 1/2 - SAE	4
23	34-00302-06	Screw, Hex Head, 5/16-18 x 3/4 inch Long. (NSI)	2
24	48-00330-01	Plate, Alternator Mounting (NSI)	1
25	48-00324-00	Bushing	1
26	34-00678-22	Screw, Cap, Hex Head, 1/2-13 x 2-3/4 Inch Long - Grade 8	1
NS	22-01860-00	Plug Assembly, Alternator	1

10.1 Power Train Assembly - Alternator



Item	Part Number	Description	Qty
1	30-00409-10	Alternator Assembly (65 Amp Without Pulley) - Includes:	1
2	30-00409-57	Fan, CCW Rotation	1
3	30-00409-50	Front Frame	1
4	30-00409-53	Spacer, Fan	1
5	30-00409-51	Bearing, Front and Rear	2
6	30-00409-52	Retainer Clip	1
7	30-00409-41	Rotor	1
8	30-00409-42	Stator	1
9	30-00409-56	Rectifier, Negative	1
10	30-00409-55	Rectifier, Positive	1
11	30-00409-54	End Frame	2
12	30-00409-30	Brushes	1
13	30-00409-35	Screw, Through Bolt (NSI)	1
14	30-00409-44	Regulator	1
15	66U1-2233-33	Gasket, Regulator	1

10.2 Power Train Assembly - Condenser Fan

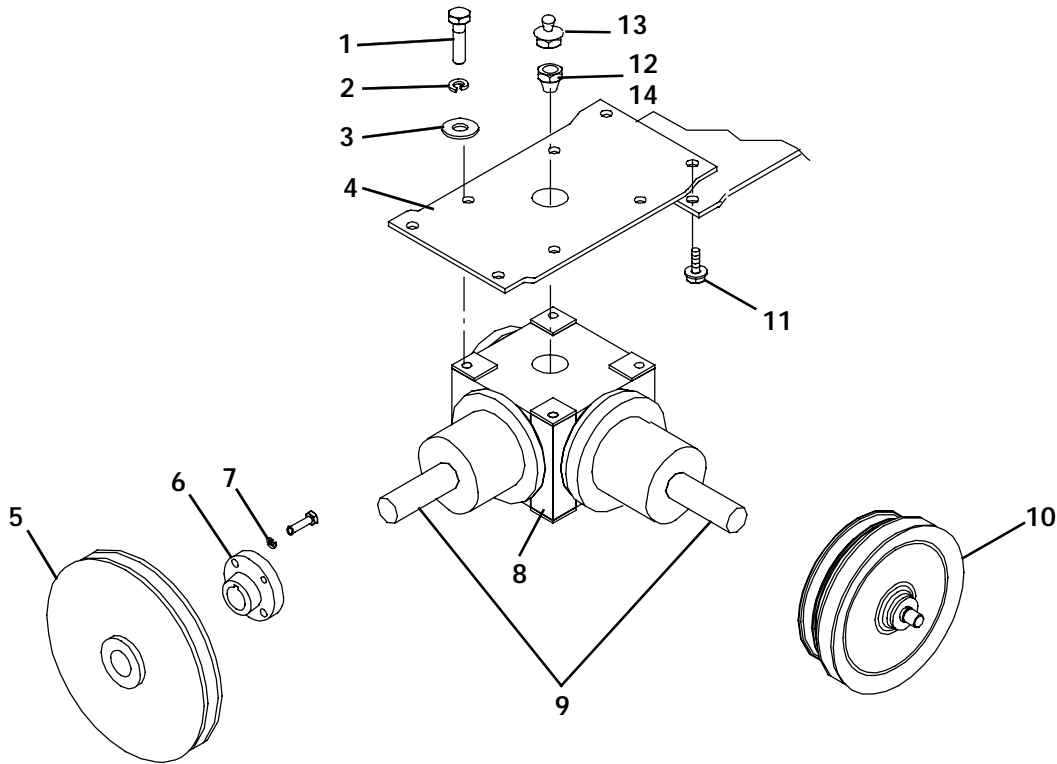


Item	Part Number	Description	Qty
1	34-00300-08	Screw, Hex Head Cap, 1/4-20 x 1 Inch Long	5
2	PL	Washer, Lock, 1/4	5
3	48-00310-00	Adapter, Condenser Fan	1
4	50-00228-01SV	Clutch Assembly - Includes:	1
5	34-06173-01	Washer, Special	1
6	34-06173-00	Washer, Special, 1/2 Inch Thick	1
NS	50-00228-24	Armature Assembly With Bearing	1
NS	50-00228-22	Rotor Assembly With Bearing	2
7	34-00304-12	Screw, Hex Head Cap, 3/8-16 x 1.50 Inch Long	4
8	PL	Washer, Lock, 3/8	3
9	34-00699-03	Washer, Plain, 1/4 ID	1
10	50-00229-00SV	Shaft Assembly, Fan - Includes:	1
11	40-00508-01SV	Valve, Pressure Relief - Includes:	1
NS	40-00253-00	Adapter, 1/8 MPT x 1/8 FPT16	1
12	68-12511-00	Plate (NSI)	1
13	68-12645-00	Clip	1

10.2 Power Train Assembly - Condenser Fan (Continued)

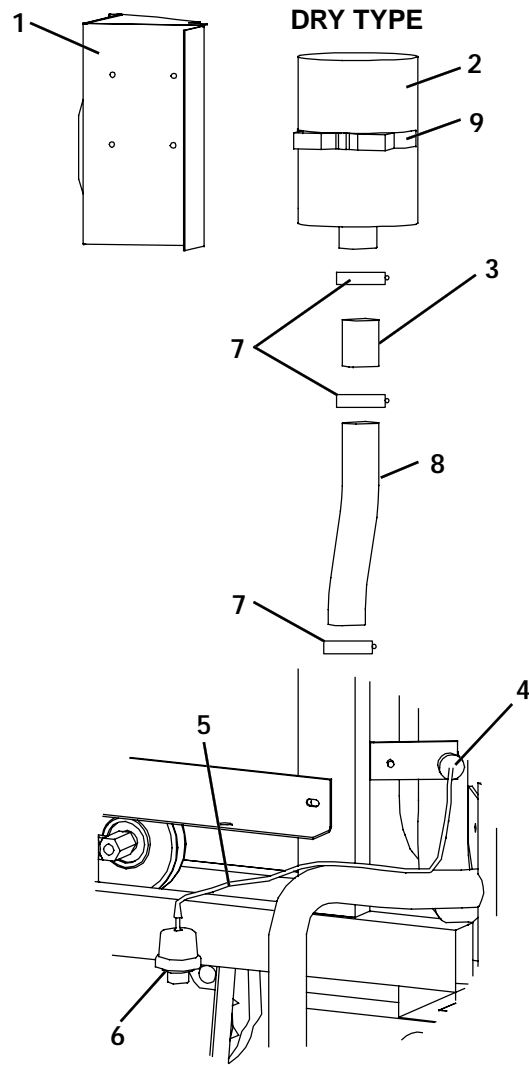
Item	Part Number	Description	Qty
14	PL	Washer, Lock 5/16	3
15	34-06181-01	Washer, Retaining	1
16	34-00930-10	Screw, Hex Head, 5/16-18 x 1.25 Inch Long (NSI)	3
17	38-00529-00	Fan, Condenser	1
17	38-00528-00SV	Fan, Condenser - Stealth - Refer to Section 22	1
18	34-01280-16	Screw, Cap, Hex Head, 3/8-16 x 1.00 Inch Long	1
NS	50-50055-00	Fan Shaft Shim Kit	
NS	07-00357-00	Excluder Installation Tool	
NS	07-00339-00	Seal Shaft Sleeve, Cap End	
NS	07-00340-00	Seal Driver, Cap End	
NS	07-00341-00	Seal Shaft Sleeve, Flange End	
NS	07-00342-00	Seal Driver, Flange End	
NS	07-00343-00	Bearing Driver Plate (Cone)	
NS	07-00344-00	Bearing Driver (Cup)	
NS	50-50053-01	Fan Shaft Rebuild Kit	
NS	50-50054-01	Fan Shaft Seal Kit	
NS	50-01148-29	Fan Shaft Excluder Kit	

10.3 Power Train Assembly - Gearbox



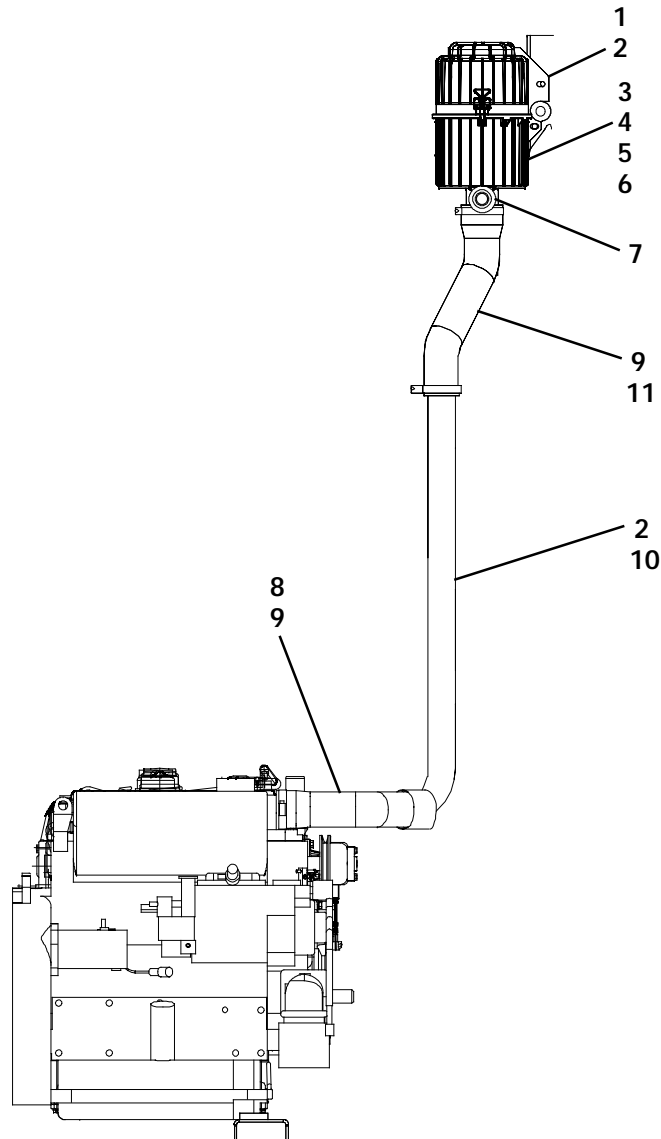
Item	Part Number	Description	Qty
1	34-00304-08	Screw, Hex Head, 3/8-16 x 1 Grade 5	4
2	34-00368-13	Washer, Lock, 3/8	4
3	34-00366-13	Washer, Plain, 3/8	4
4	86-02798-01	Bracket, Mounting Plate	1
5	50-00224-00	Sheave, Single Groove, 7-3/444 OD (3 bolt)	1
6	04-00058-00	Bushing, Split Taper (3 bolt)	1
7	34-00368-11	Washer, Lock, 1/4	2
8	50-00227-00	Gearbox Assembly	1
9	50-00214-47	Key, Square Wood-ruff, 1/4" X 1-1/4" Long	2
10	50-00224-02	Sheave, Plated, 5.75 OD, Double Groove	1
11	34-00919-08	Screw, Hex Head, 5/16-18 x 1 lg w/cap washer - SAE Grade 8 (NSI)	4
12	40-00121-01	Bushing	1
13	40-00508-01SV	Valve, Pressure Relief - Includes:	2
14	40-00253-00	Adapter, 1/8 mpt x 1/8 fpt Brass	1
NS	50-00214-38SV	Shaft Seal Kit (For Input and Output Shafts)	1
NS	07-00308-00	Tool, Seal Pilot Sleeve, Special (For Gearbox Clutch Shaft Seal)	
NS	07-00309-00	Tool, Seal Pilot Sleeve, Special (For Gearbox Drive Shaft Seal)	
NS	07-00310-00	Tool, Seal Driver, Special (For Gearbox Drive Shaft Seal)	
NS	07-00311-00	Tool, Seal Driver, Special (For Gearbox Clutch Shaft Seal)	

11 Ajf 7 YUbYf 5 ggYa Vm
 11.1 Air Cleaner Assembly (Prior To S/N FAR90427529)

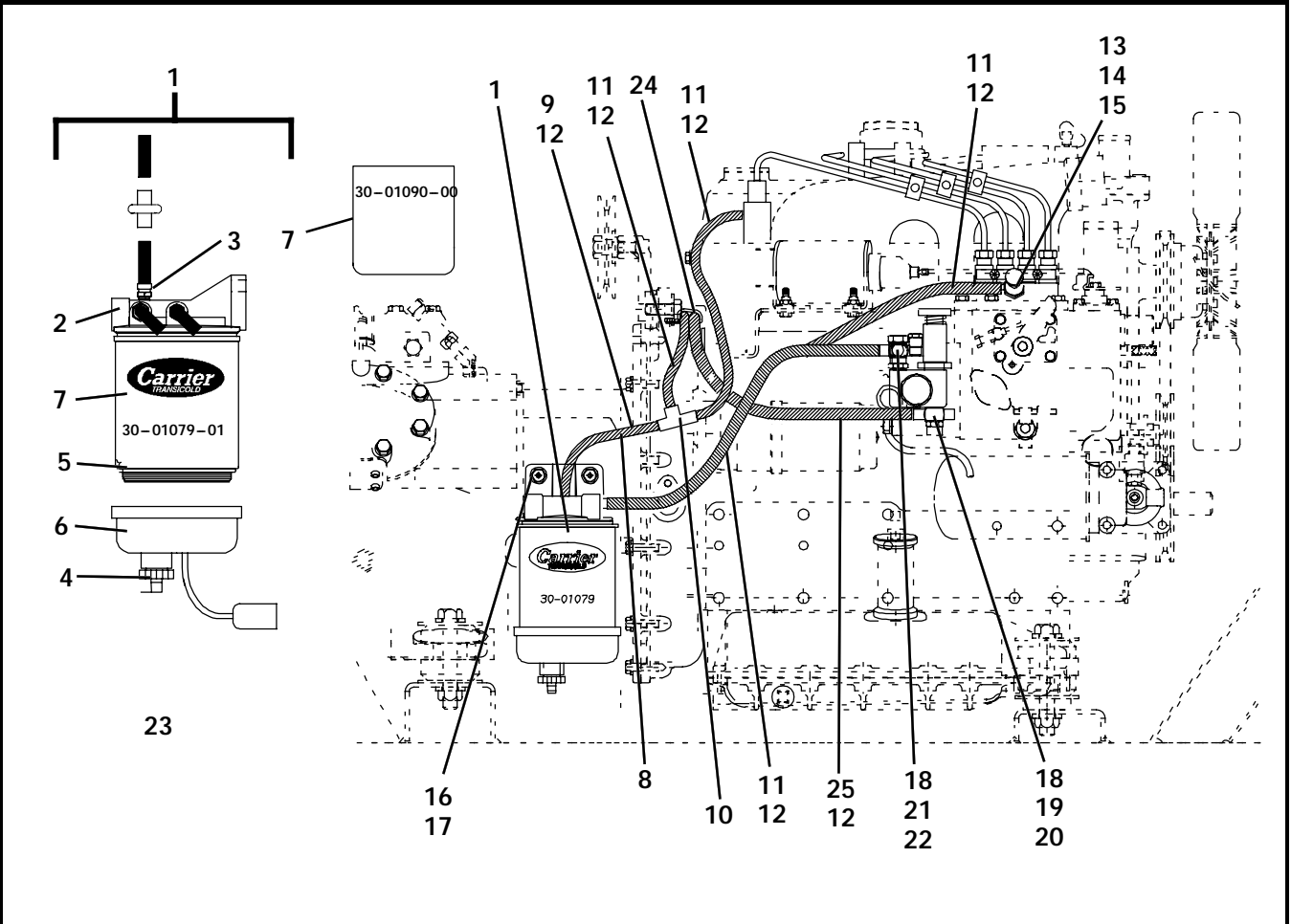


Item	Part Number	Description	Qty
1	68-12019-00	Bracket, Air Cleaner	1
2	30-01077-01	Air Cleaner	1
3	58-04330-00	Hose, Formed, Air Inlet-Oil	1
4	40-00506-00	Fitting, Push On	1
5	58-04102-00	Hose (10 Foot Cut to Length)	A/R
6	30-00406-00	Indicator, Air Filter	1
7	44-00045-18	Clamp, Hose, 2.313-3.25 Worm - SST	A/R
8	86-04253-00	Tube Assembly	1
9	44-00022-04	Clamp, Air Cleaner	2
NS	42-00107-00	Gasket, Cork and Rubber (NSI)	A/R
NS	34-06051-06	Rivnut, 1/4-20	A/R
NS	34-00918-06	Screw, Hex Washerhead, 1/4-20 X .75 Inch Long - SAE	A/R
NS	34-00996-08	Screw, Hex Washerhead, #8-32 X .50 Inch Long - SAE	A/R

11.2 Air Cleaner Assembly (Beginning With S/N FAR90427529)



Item	Part Number	Description	Qty
1	68-07677-00	Bracket, Air Cleaner	1
2	34-00918-06	Screw, Hex Head w/Washer, 1/4-20 x .75 Inch Long	A/R
3	30-00430-00	Air Cleaner - Includes:	1
NS	30-00430-22	Element, Air Cleaner	1
4	34-01241-20	Screw, Hex Head, M8 x 20MM Long	4
5	34-00945-08	Washer, Lock, M8	A/R
6	34-00944-08	Washer, Flat, M8	A/R
7	30-00406-02	Indicator, Air Filter	1
8	58-04330-00	Hose, Formed, Air Inlet, Lower	1
9	44-00045-18	Clamp, Hose	A/R
10	86-04253-01	Tube Assembly	1
11	58-04329-00	Hose, Formed, Air Inlet, Upper	1

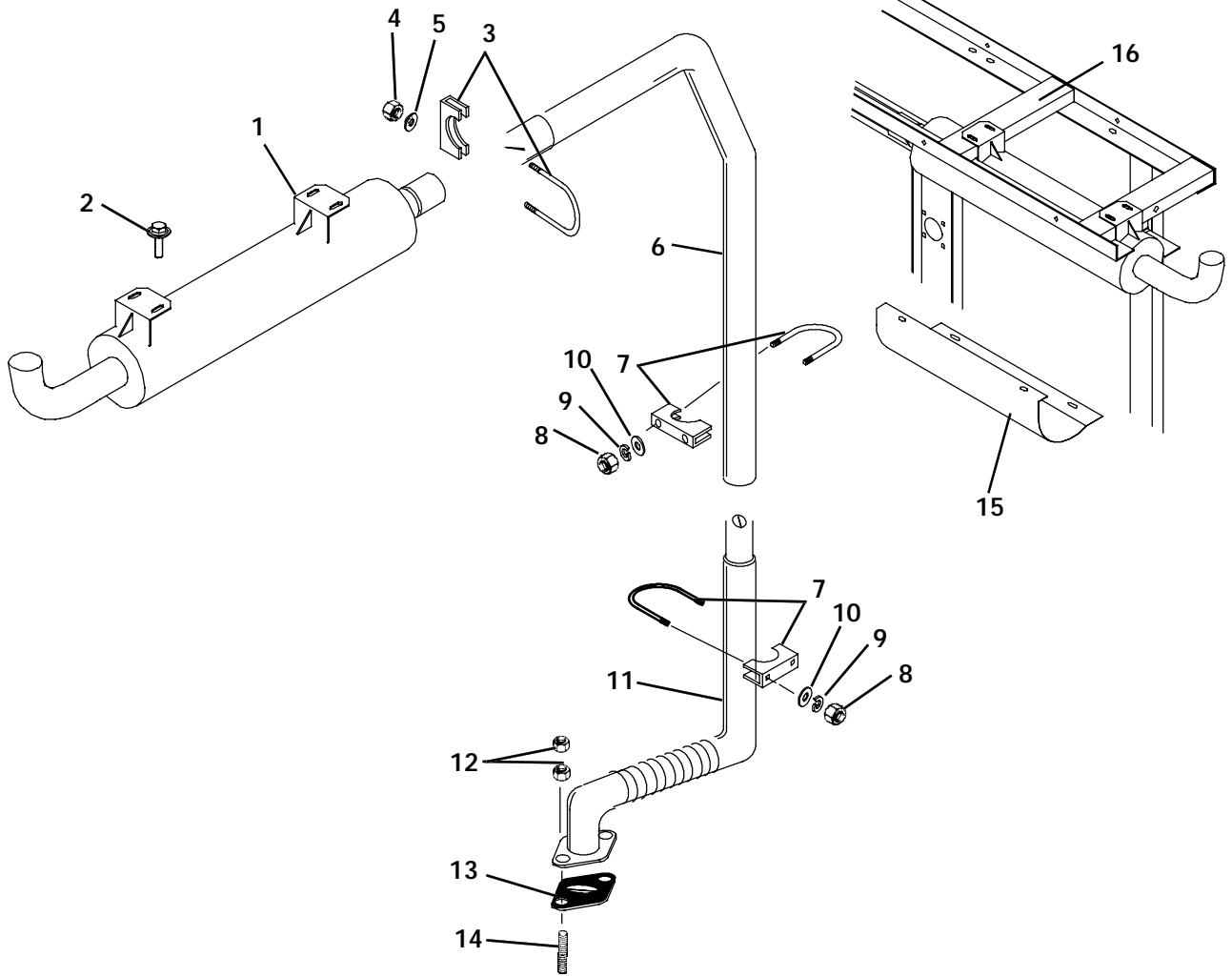


Item	Part Number	Description	Qty
1	30-01098-00	Filter Assembly, Fuel (NSI) - Includes:	1
	30-01098-05	Filter Assembly, Fuel - With Heater - Optional (NSI) - Includes:	
2	30-01098-26	Head, Fuel Includes:	1
NS	30-01088-30	Nipple, Filter	1
3	30-01098-41	Fitting, Orifice (Fuel Bleed)	1
4	30-01098-27	Plug, Drain	1
5	30-01098-28	Gasket, Bowl	1
6	30-01098-33	Bowl, Fuel - Without Heater	1
	30-01098-34	Bowl, Fuel - With Heater - Includes:	
NS	NSS	Heater	1
NS	30-01078-08	O-Ring, Heater	1
7	30-01090-01	Filter, Fuel (Bowl Not Required)	1
NS	30-01079-01	Filter, Fuel (Bowl Required)	1
8	79-02305-00	Tube Assembly	1
9	58-00659-00	Tube, Nylon, 3/16 ID (25 Feet To Be Cut To Length)	A/R
10	40-01156-00	Tee, 3/16 ID Hose X 1/4 Tube	1
11	58-01251-00	Tube, 5/16 ID (25 Feet To Be Cut To Length)	A/R
12	44-00045-25	Clamp, Worm (Range - 3/16 to 5/8 OD)	A/R
13	25-37594-00	Banjo, Injection Pump	1
14	25-37588-00	Bolt, Banjo	1
15	25-37589-00	Seal, Banjo	2

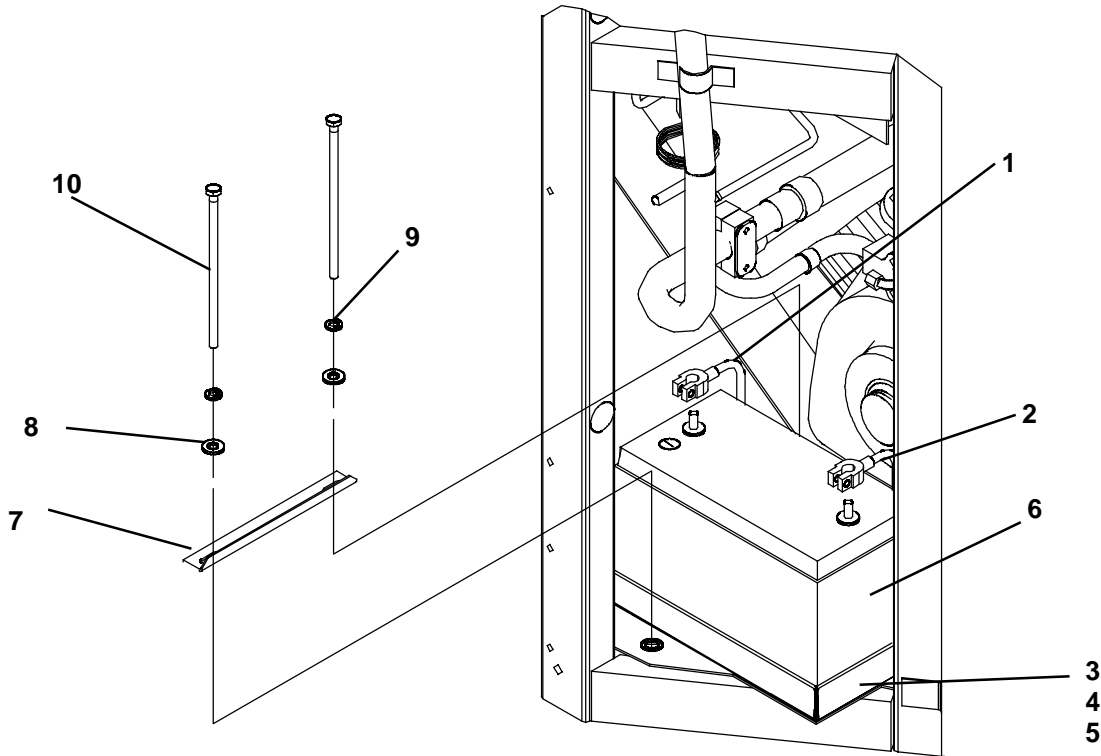
12 Fi Y': JHYf f7 cbhji YXL

Item	Part Number	Description	Qty
16	34-00944-10	Washer, Plain, M10 (NSI)	2
17	34-00304-10	Screw, Cap Hex Head, 3/8-16 x 1-1/4 Long, Grade 5 (NSI)	2
18	42-01133-00	Seal, Banjo, M14	4
19	25-37594-00	Banjo, Fuel Pump (Outlet)	1
20	25-38666-14	Bolt, Banjo	1
21	40-01153-00	Banjo, Fuel Pump (Inlet)	1
22	25-38666-12	Bolt, Banjo	1
23	30-50017-00	Orifice, Fuel Bleed, Replaceable (Located In Bleed Line)	1
24	44-01137-19	Clamp, Hose	2
25	58-00580-00	Tube, 0.375 OD (50 Feet To Be Cut To Length)	A/R
NS	58-00915-00	Grommet, Rubber (NSI)	1
NS	44-00102-02	Clamp, Hose Support, .56 Diameter (NSI)	1

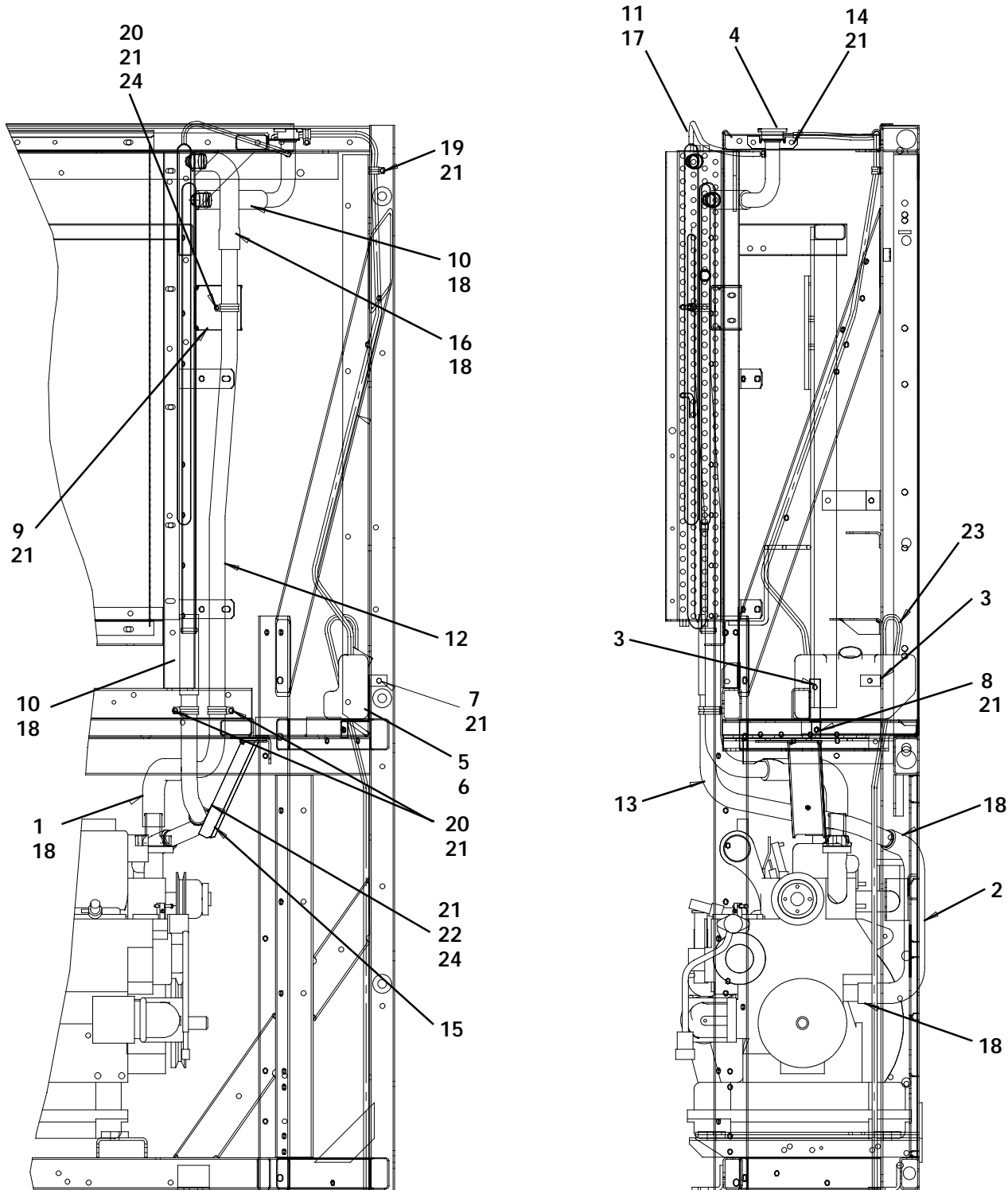
13 Eb[]bY9I \ U ghGmgHya



Item	Part Number	Description	Qty
1	30-00401-04	Muffler	1
2	34-00918-06	Screw, Hex Head With Cap Washer, 1/4-20 x 3/4	A/R
3	30-00175-01	Clamp, Tubing, 2 Inch Diameter - Includes:	1
4	PL	Nut, Hex, 5/16-18	2
5	PL	Washer, Plain, 5/16	2
6	30-00402-05	Pipe, Exhaust	1
7	30-01052-00	Clamp, Tubing, 1-3/4 Diameter - Includes:	2
8	PL	Nut, Hex, 3/8-16	2
9	PL	Washer, Lock, 3/8	A/R
10	PL	Washer, Plain, 3/8	A/R
11	30-00402-06	Pipe, Exhaust	1
12	34-00932-13	Nut, Hex, 3/8-24 (Brass)	4
13	25-37238-00	Gasket, Flange	1
14	34-00964-00	Stud, Exhaust (Special)	2
15	68-12589-00	Heat Shield	1
16	86-04213-00	Bracket Assembly, Muffler Support (NSI)	1
NS	34-06051-06	Rivnut, 1/4-20	3



Item	Part Number	Description	Qty
1	22-01633-01	Battery Cable, Negative - Post Type	1
	22-01633-11	Battery Cable, Negative - Screw Type	1
2	22-01633-00	Battery Cable, Positive - Post Type	1
	22-01633-10	Battery Cable, Positive - Screw Type	1
3	79-02330-00	Tray Assembly, Battery - Includes:	1
4	58-01335-00	Tray, Battery, Plastic	1
5	68-07668-00	Bracket	1
6	PL	Battery, 12 Volt	1
7	68-11596-00	Angle, Battery Hold-Down	1
8	34-00662-12	Washer, Plain, 5/16 - SST	2
9	34-00663-12	Lock-Washer, 5/16 - SST	2
10	34-01247-88	Screw, Cap, Hex Head, 5/16-18 x 11.00 - SST	2



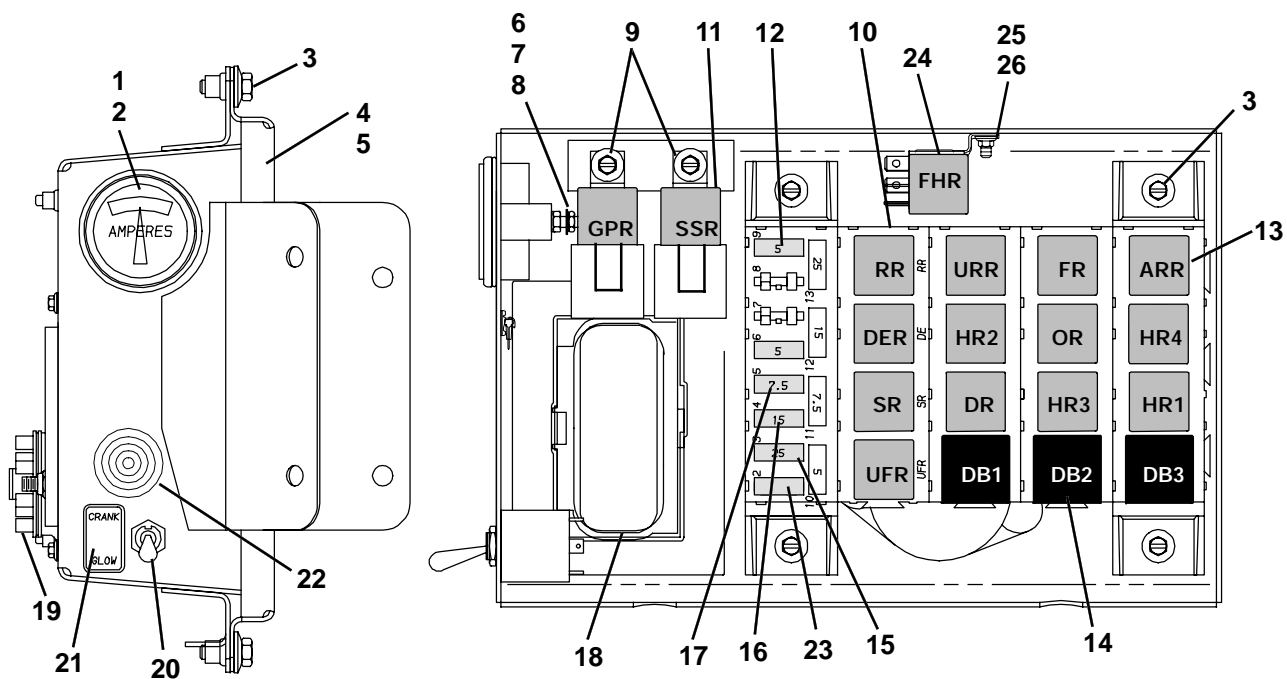
15 Ccc`UohGngHya `f7 cbHjbi YXL

Item	Part Number	Description	Qty
1	58-00185-14	Hose, Radiator - Rubber	1
	58-00185-24	Hose, Radiator - Silicone	
	58-00185-31	Hose, Radiator - ECR Rubber	
2	58-01317-00	Hose, Radiator - Rubber	1
	58-01317-01	Hose, Radiator - Silicone	
	58-01317-02	Hose, Radiator - ECR Rubber	
3	34-00918-04	Screw, Machine, Hex Head, 1/4-20 x 1/2 With Cap Washer	2
4	30-00397-00	Cap, Radiator	1
5	58-01291-00SV	Bottle, Coolant Recovery - Includes:	1
6	58-00743-00	Cap, Radiator Coolant Recovery Bottle	1
7	68-11565-00	Bracket, Coolant Recovery Bottle (NSI)	1
8	68-07144-00	Bracket	1
9	86-04259-00	Bracket, Coolant Line (NSI)	1
10	58-04223-04	Hose, Radiator - Rubber (NSI)	1
	58-04223-05	Hose, Radiator - Silicone (NSI)	
	58-04223-06	Hose, Radiator - ECR Rubber (NSI)	
11	58-00659-00	Hose, Fuel, 3/16 ID	1
12	56-07264-01	Tube, Coolant (NSI)	1
13	56-07265-00	Tube, Coolant (NSI)	1
14	81-01474-00	Radiator Fill Tube Assembly (NSI)	1
15	86-04260-00	Bracket Assembly, Coolant Line (NSI)	1
16	58-00902-08	Hose, Radiator, 90 Degree - Rubber	1
	58-00902-09	Hose, Radiator, 90 Degree - Silicone	
	58-00902-11	Hose, Radiator, 90 Degree - ECR Rubber	
17	44-00293-07	Clamp	3
18	44-01140-00	Clamp, Hose 1.37 - 1.75 - Use with Silicone Hoses	10
	44-00045-03	Clamp, Hose .81 - 1.75 - Use with Rubber Hoses	
	44-01155-06	Clamp, Hose 1.50 - 1.75 O.D. - Use with ECR Rubber Hoses	
19	34-00373-05	Clamp, 0.50 Diameter	2
20	34-00373-17	Clamp, 0.25 Diameter	4
21	34-00918-08	Screw, Hex Head, 1/4-20 x 1 Inch Long. With Cap Washer - SAE	10
22	34-06051-06	Rivnut	2
23	22-00398-00	Tube, Clear	1
24	34-00373-17	Clamp, Tube 1.25 Diameter, Cushion	4

16 DUU@b_			
16.1 DUU@b_			
Item	Part Number	Description	Qty
	77-00669-20	DataSink Kit - Includes:	1
	62-02772-00	Label, Schematic, DataLink	1
	12-00476-01	Module, Trailer/Truck	1
	22-01720-01	Harness, OasS \ ENDA/M-9	1
	30-01096-00	Power Pack, Electronic	1
	34-00918-06	Screw, Hex Head With Washer, 1/4-20 x 0.75 Long	16
	34-06051-06	Rivnut, 1/4-20	9
	34-06126-08	Screw, Hex Head, #4-40 x 0.50 Long - SST	4
	34-00662-05	Washer, Plain, #4 - SST	8
	34-00667-05	Nut, Lock, #4-40 - SST	4
	58-00511-115	Washer, Flat, .62 ID x 1.00 OD Nylon (NSI)	1
	62-03995-00	Decal, Electronic Power Pack	1
	79-01667-00	Tether Assembly, Interrogator Cap	1
	86-04132-00	Bracket Assembly	1
	79-01668-00	Bracket Assembly	1
	68-12029-00	Bracket, Interrogator	1
	91-00309-01	Box Assembly, OasS \ (NSI) - Includes:	1
	86-04267-00	Box	1
	68-11882-00	Cover	1
	68-12728-00	Bracket (NSI)	
	22-01739-00	Harness, DataLink Jumper (NSI)	
16.2 DUU@b_5 WWggcfJYg			
	76-00674-02	Interrogator Kit - Includes:	1
	22-01737-00	Cable Assembly (6 Foot Long)	1
	22-01737-04	Cable Assembly (20 Foot Long)	1
	12-00413-02T	Program, Interrogator	1
	62-02789	Instructions	1
	22-01660-03	OasS \ Receptacle, 5 Pin	1
	22-01660-05	Receptacle Cap	1
	76-00501-00	DataLink Remote Sensor Kit	1
	12-00400-00/4107	DataLink Module Flashcard	1

17 M]gW`UbYci g

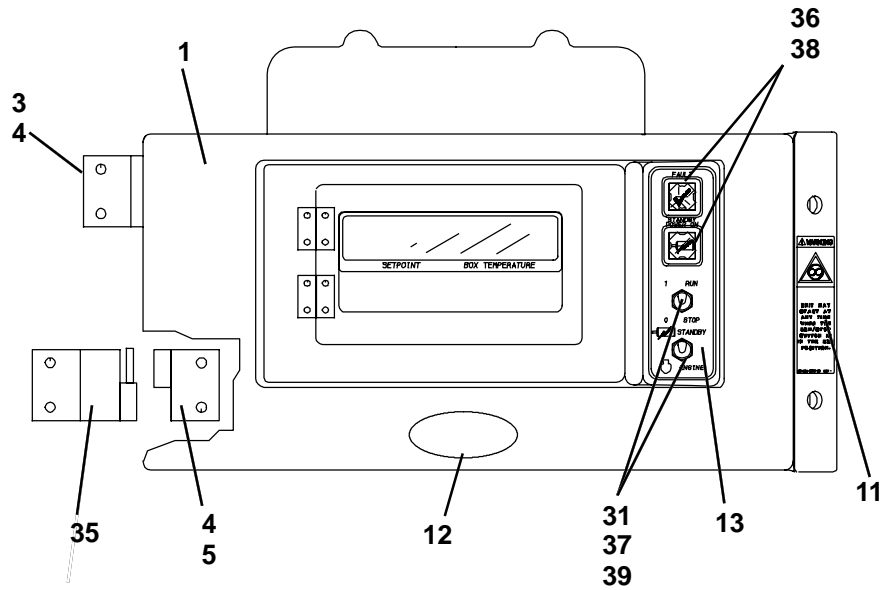
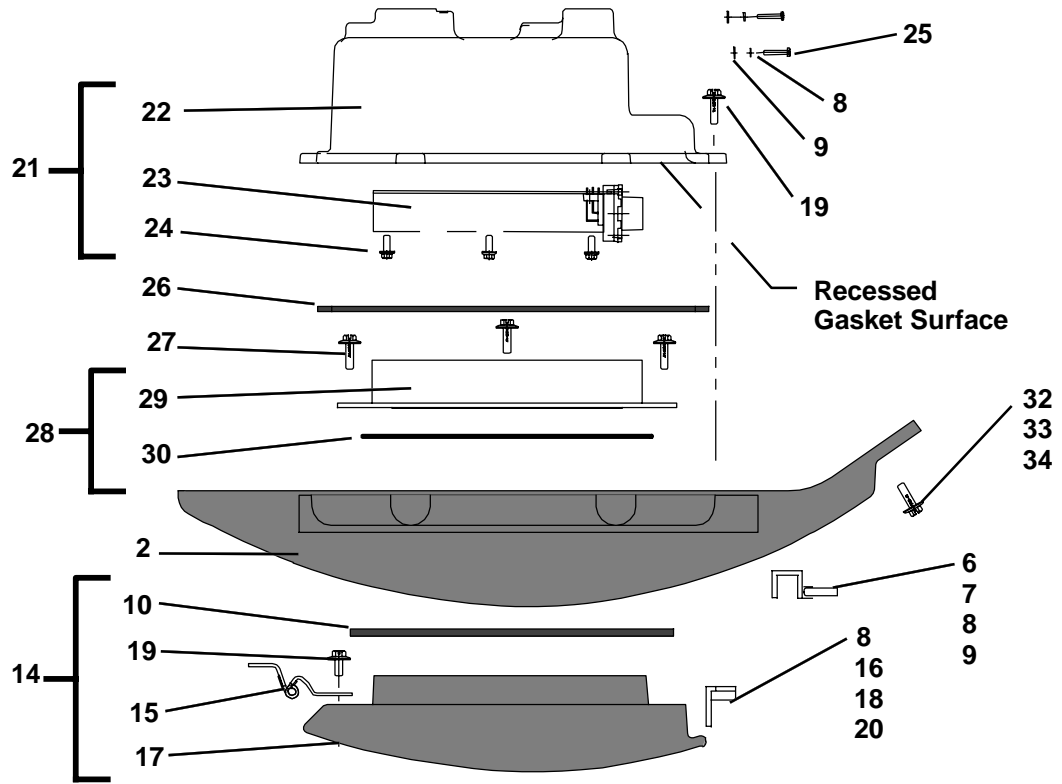
Item	Part Number	Description	Qty
	22-50078-05SV	Connector Package (3Pin Female) Used On Unit Harness As Serial Port	1
	22-50078-08SV	Cap, Serial Port (Protective Cap For 22-50078-05SV) (3 Pin)	1
	76-00522-00	Shutdown Kit, Low Fuel - Includes:	1
	22-02695-00	Harness, Jumper, Low Fuel	1
	22-02695-01	Harness, Ground, Low Fuel	1
	76-00520-00	Installation Kit, Low Fuel - Includes:	1
	12-00267-00	Sensor, Low Fuel	1
	22-01443-00F50	Cable, 2 Conductor	A/R
	22-02688-00	Light Assembly	1
	91-01139-00	Box Assembly, Relay, Low Fuel/Door Switch - Includes:	1
	10-00286-02	Relay	1
	22-02733-01	Harness, Shutdown	1
	68-07676-01	Cover, Box	1
	68-07682-00	Box, Relay	1
	76-00522-01	Shutdown Kit, Low Fuel - Includes:	1
	22-02695-00	Harness, Jumper, Low Fuel	1
	22-02695-01	Harness, Ground, Low Fuel	1
	76-00520-01	Installation Kit, Low Fuel - Includes:	1
	12-00267-00	Sensor, Low Fuel	1
	12-00419-03	Switch, Door, Magnetic	1
	22-01443-00F50	Cable, 2 Conductor	A/R
	22-02688-00	Light Assembly	1
	91-01139-00	Box Assembly, Relay, Low Fuel/Door Switch - Includes:	1
	10-00286-02	Relay	1
	22-02733-01	Harness, Shutdown	1
	68-07676-01	Cover, Box	1
	68-07682-00	Box, Relay	1
	76-00522-02	Shutdown Kit, Low Fuel - Includes:	1
	22-02695-00	Harness, Jumper, Low Fuel	1
	22-02695-01	Harness, Ground, Low Fuel	1
	76-00520-02	Installation Kit, Low Fuel - Includes:	1
	12-00419-03	Switch, Door, Magnetic	1
	12-00419-04	Switch, Door, Magnetic	1
	22-01443-00F50	Cable, 2 Conductor	A/R
	91-01139-00	Box Assembly, Relay, Low Fuel/Door Switch - Includes:	1
	10-00286-02	Relay	1
	22-02733-01	Harness, Shutdown	1
	68-07676-01	Cover, Box	1
	68-07682-00	Box, Relay	1
	76-00524-00	Unit Bumper Kit - Includes:	1
	58-01330-00	Bumper, Extruded, Rubber	1



18 RYUm6 cl '5 ggYa V mif' cbhji YXL

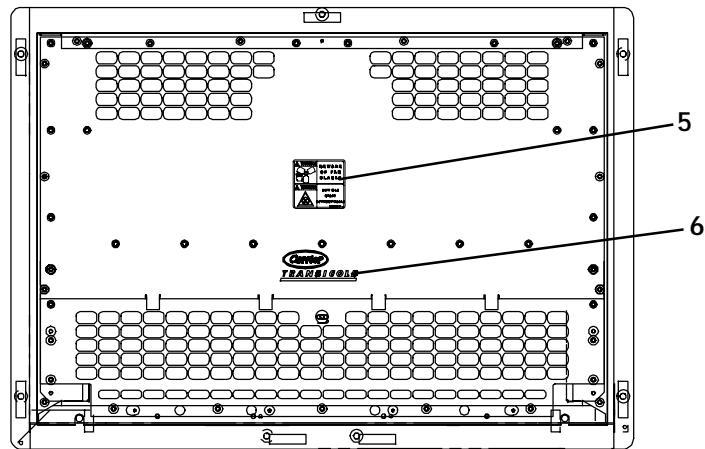
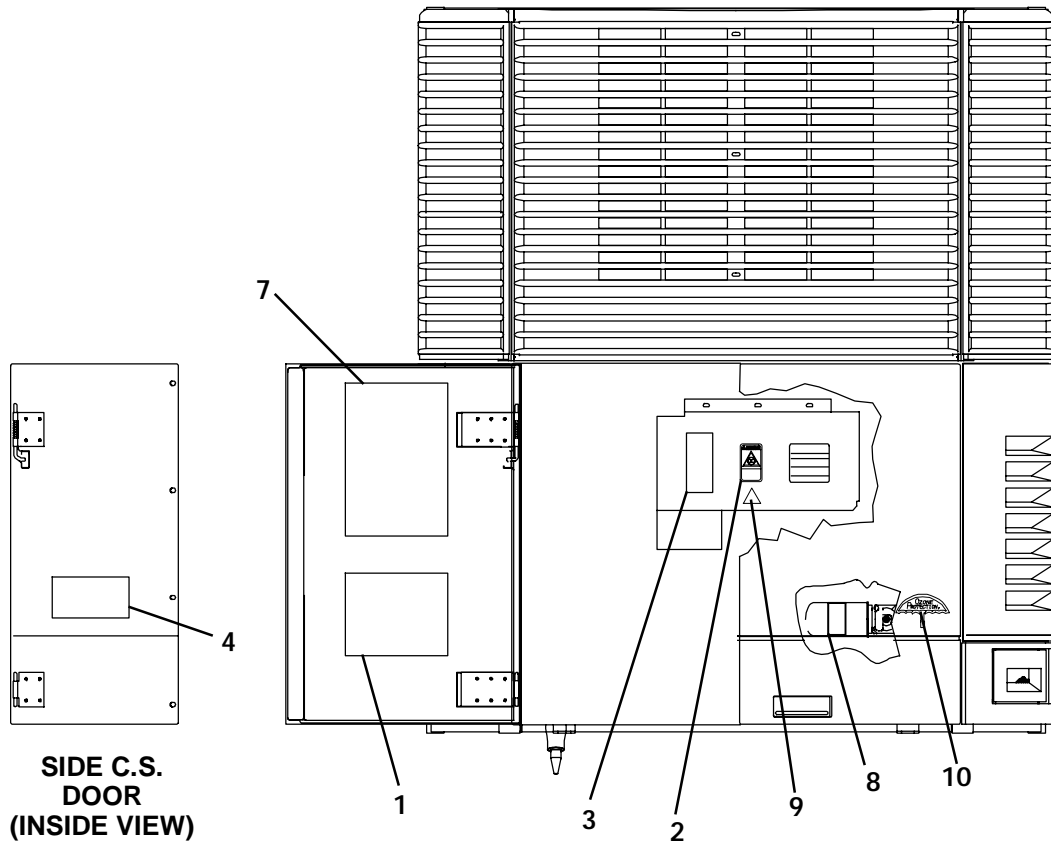
Item	Part Number	Description	Qty
-	91-01126-00	Relay Box Assembly - R-404A - Includes:	
1	22-00538-01	Ammeter, +60/-60 Amps	1
2	42-01195-00	O-Ring, 1.987 ID	1
3	34-00918-06	Screw, Machine Hex Head, 1/4-20 x 3/4 With Cap Washer	4
4	68-11580-00	Cover, Box	1
5	42-00254-00	Gasket, Cover	1
6	PL	Nut, #10-32 - Brass	2
7	PL	Washer, Plain, #10 - Brass	2
8	34-00938-09	Washer, Lock, #10 - Brass	2
9	PL	Screw, Machine Hex Head, #10-32 x 3/4 With Cap Washer	A/R
10	22-01688-00	Module, Relay	1
11	10-00328-00	Relay, 70 Amp	2
NS	22-50078-32	Socket, Relay	A/R
12	22-02336-02	Fuse, 5 Amp	3
13	10-00286-04	Relay, 40 Amp	12
14	10-00319-00	Diode, Block (12 Volt)	3
15	22-02336-05	Fuse, 25 Amp	2
16	22-02336-06	Fuse, 15 Amp	4
17	22-02336-08	Fuse, 7.5 Amp	2
NS	22-02336-09	Fuse, 80 Amp	1
NS	22-50079-00	Fuse Holder, 80 Amp	1
18	22-50078-11	Connector, Female (36Pin) (<C)	1
19	22-01565-00	Connector, Female (22Pin) (<C2)	1
20	10-01129-16	Switch, Toggle	1
21	62-02454-00	Decal, Switch	1
22	10-00375-01	Indicator, Buzzer	1
23	22-02336-01	Fuse, 20 amp - Units With Fuel Heater	1
24	10-00286-02	Relay - Units With Fuel Heater	1
NS	22-02338-00	Fuse Holder (10-12 AWG Wire) - Units With Fuel Heater	1
NS	22-02338-01	Fuse Holder (14-18 AWG Wire) - Units With Fuel Heater	1
25	PL	Nut, Lock, #10-32	1
26	PL	Washer, Plain, #10	1
NS	22-02336-04	Fuse, 10 amp - Units With Electric Fuel Pump	1
NS	22-50117-00	Lock, Secondary Fuse Wire Terminal)	A/R

19 MJWcdfcWggcf 5 ggYa V m



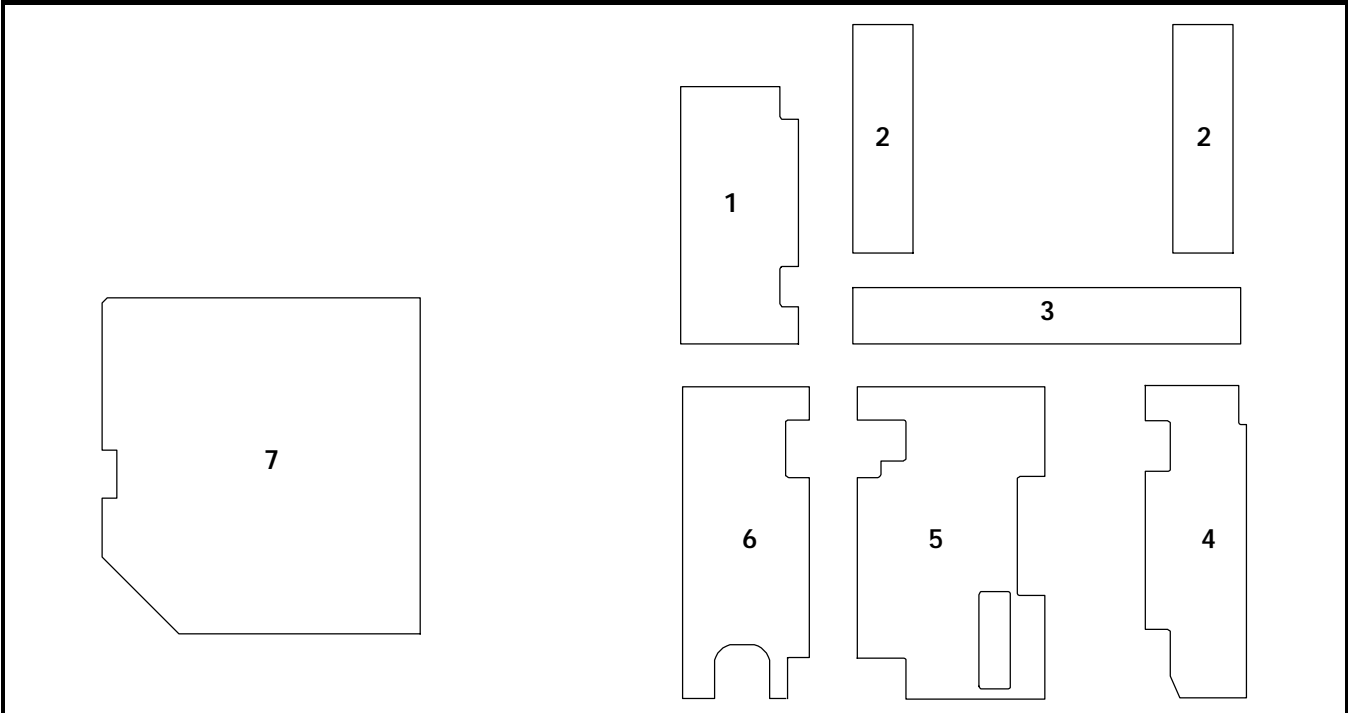
Item	Part Number	Description	Qty
-	91-00288-55	Box Assembly, Control - Includes:	1
1	79-02323-05	Door Assembly, Control - Includes:	1
2	58-04109-04	Door, Control	1
3	44-00334-00	Hinge Assembly, Door (Upper)	1

19 MJWcdfcWggcf'5 ggYa V mff7 cbljbi YXŁ			
4	34-00918-06	Screw, Hex Head, 1/4-20 x 3/4 Long With Cap Washer - SAE	4
5	44-00333-00	Hinge, Male	1
6	44-00340-03	Latch, Door	1
7	34-06126-06	Screw, Hex Head, #4-40 x 3/8 Long - SST	2
8	34-00662-05	Washer, Plain #4 - SST	4
9	34-00663-05	Washer, Lock #4 - SST	2
10	42-00267-00	Gasket, Keypad Door	1
11	62-02450-00	Decal, Warning (Auto Start)	1
NS	58-00660-00	Washer, Condensate Drain	1
12	62-02487-07	Decal, Carrier	1
13	62-02448-00	Decal, Switch	1
14	79-02334-04	Door Assembly, Keypad - Includes:	1
8	34-00662-05	Washer, Plain #4 - SST	4
15	44-00351-00	Hinge, Keypad Door	1
16	34-00667-05	Nut, Lock #4-40 - SST	1
17	58-04112-02	Door, Keypad	1
18	44-00340-01	Door Latch, Keypad	1
19	34-00917-08	Screw, Hex Head, #10-32 x 1/2 Long With Cap Washer - SAE	2
20	34-06126-08	Screw, Hex Head, #4-40 x 1/2 Long - SST	2
NS	62-02449-00	Label, Operating Instructions	1
21	91-00288-40	Logic Board Assembly (New) - Includes:	1
	91-00288-60	Logic Board Assembly (Re-manufactured) - Includes:	
8	34-00662-05	Washer, Plain, #4 - SST	6
9	34-00663-05	Washer, Lock, #4 - SST	6
22	79-02266-00	Cover, Control - Recessed Gasket Surface	1
23	NSS	Board, Logic	1
24	34-00996-06	Screw, Hex Head, #8-32 x 3/8 Long With Cap Washer	8
25	34-06126-10	Screw, Hex Head, #4-40 x 5/8 lg - SST	6
26	42-00266-00	Gasket, Cover (Micro)	1
27	34-00917-08	Screw, Hex Head, #10-32 x 1/2 Long With Cap Washer - SAE	16
28	12-00307-00SV	Display Assembly, Key Pad - Includes:	1
29	NSS	Display Assembly, Keypad	1
30	42-00251-00	O-Ring (Display Assembly)	1
NS	22-01641-00	Cable Assembly Ribbon	1
31	10-00327-00	Switch, Toggle	A/R
32	34-01226-00	Washer, Retaining, Nylon	2
NS	22-50100-00	Pin, Female (Used On Unit Harness Mating Logic Board Plug)	A/R
33	34-06089-00	Washer, Fender, Black	2
34	34-06025-08	Screw, Hex Head, 1/4-20 x 1 Long With Cap Washer - SAE	2
35	44-00333-01	Hinge, Female	1
36	22-01467-00	Lamp, Wedge Base	2
37	58-04128-00	Boot	A/R
38	22-50128-00	Socket, Lamp (Micro Control Door)	2
39	22-50165-00	Boot and Pigtail Assembly (Stop/Run Switch)	1

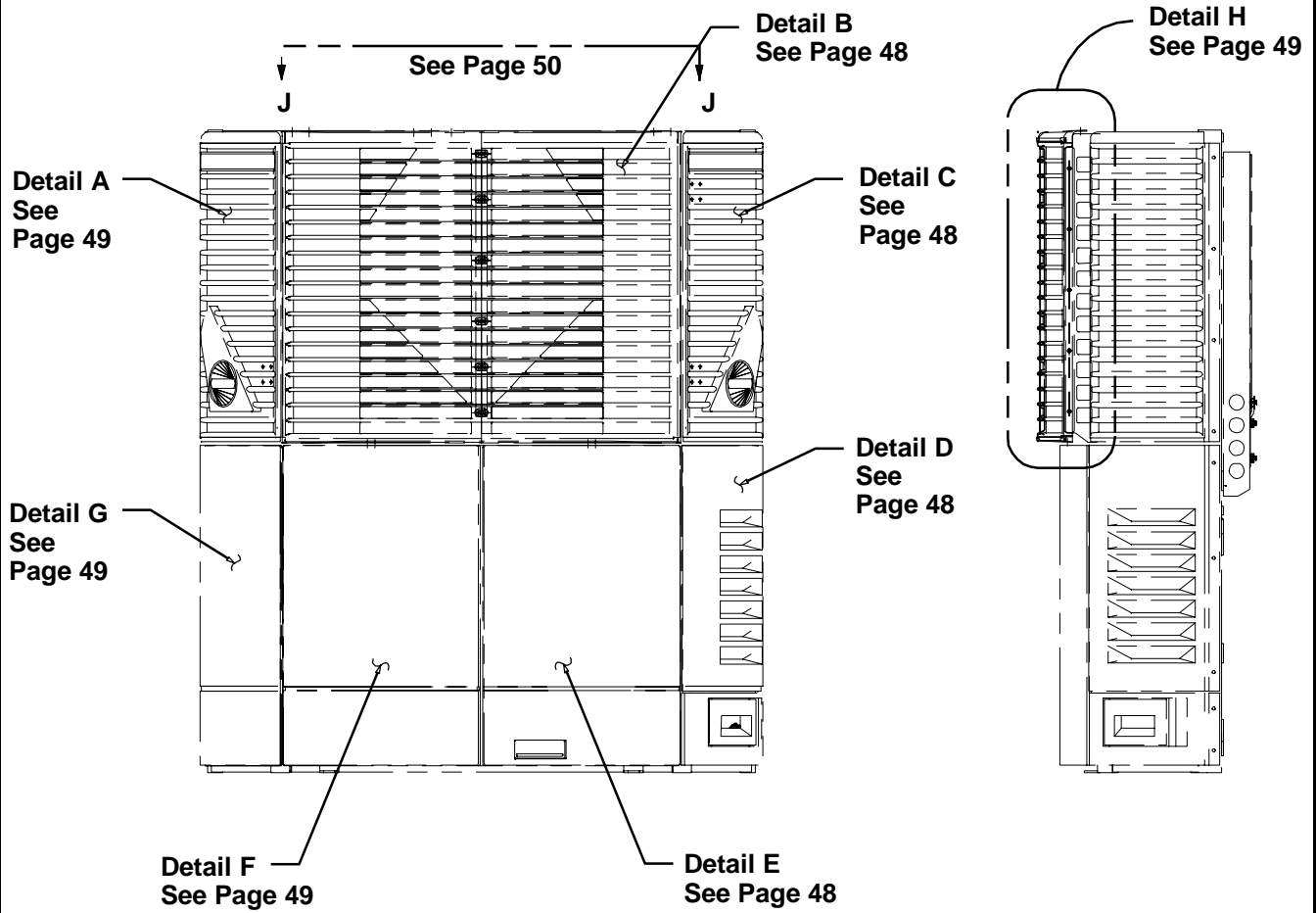


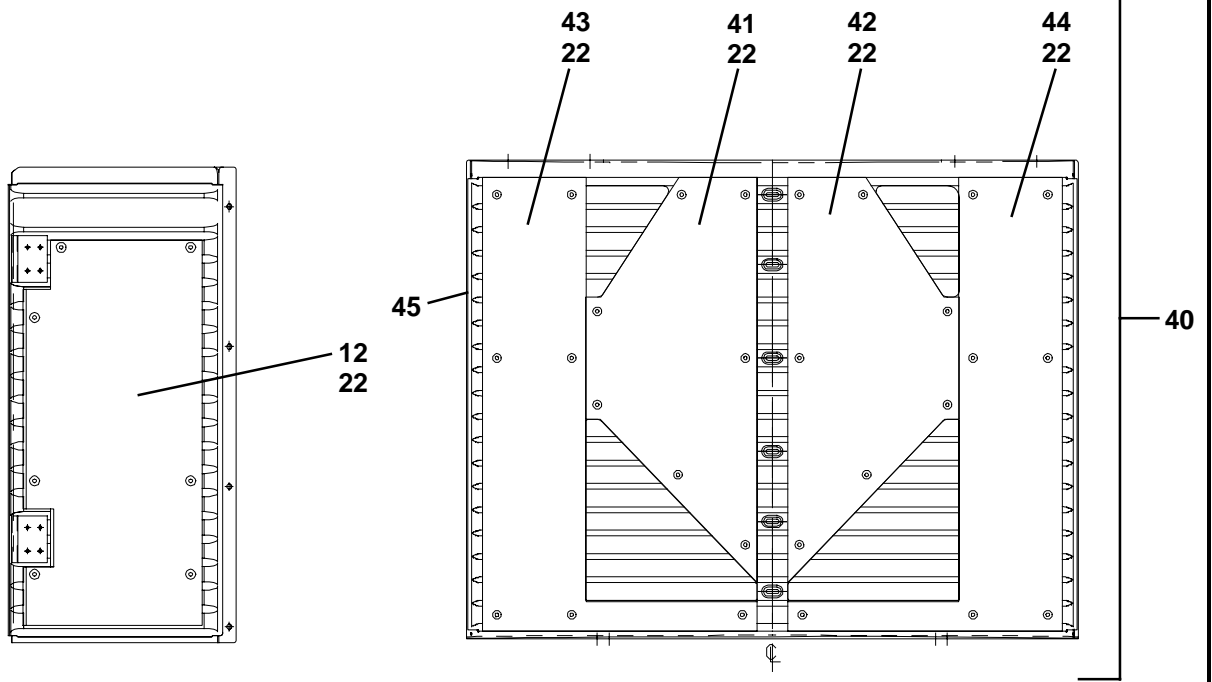
20 DYWJg f7 cbhbi YXL

Item	Part Number	Description	Qty
1	62-02478-06	Label, Operating Instructions, Driver (NSI)	1
2	62-02146-00	Decal, Warning, Auto Start	1
3	62-02144-00	Decal, Danger, Belt Rotation	1
4	62-02139-00	Decal, Warning, Disconnect Battery	1
5	62-02509-00	Decal, Warning, Beware of Fan and Auto-Start	1
6	62-03882-00	Decal, CTD	1
NS	62-02142-00	Decal, Caution, Radiator Fill - Located On Side Of Evaporator Pod Above The Coolant Bottle (NSI)	1
NS	62-02505-00	Decal, Caution - Located On Battery Cover (NSI)	1
NS	62-02140-00	Decal, Service Action Line	1
7	62-03959-00	Decal, Service, Priming/Bolt Replacement	1
8	62-01803-00	Decal, Service	1
9	62-03958-00	Decal, Warning, Heat Hazard	3
10	62-03975-00	Label, Pro-Earth Umbrella - Black Lettering	1
	62-03975-01	Label, Pro-Earth Umbrella - White Lettering (NSI)	
NS	62-03942-30	Decal, DataLink (NSI)	1
NS	62-03942-31	Decal, Datatrac (NSI)	1
NS	62-03942-32	Decal, Datamanager (NSI)	1
NS	62-03942-01	Decal, Ultrafresh 2 DL (NSI)	1
NS	62-03942-02	Decal, Ultrafresh 2 DT (NSI)	1
NS	62-03942-03	Decal, Ultrafresh 2 DM (NSI)	1



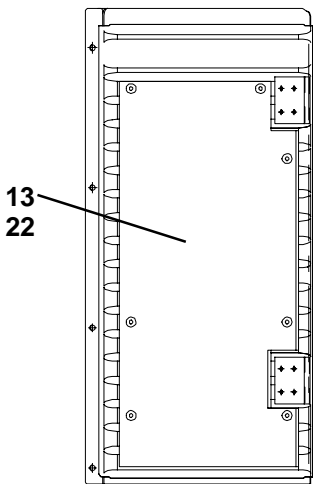
Item	Part Number	Description	Qty
NS	79-02303-01	Kit, Noise Reduction - Includes:	1
1	42-00277-00	Insulation, Curb Side Door (Upper)	2
2	42-01150-00	Insulation, Grille	1
3	42-01151-00	Insulation, Grille	1
4	42-01167-00	Insulation, Front Road Side Door	1
5	42-00275-00	Insulation, Front Curb Side Door	1
6	42-00274-02	Insulation, Curb Side Door	1
7	42-00279-00	Insulation, Cover (Rear)	1
NS	58-01214-00	Plug, Plastic (For Front and Side Doors)	A/R
NS	58-01288-01	Rivet, Ratchet (Plastic) (For Front and Curb Side Grille)	A/R
NS	68-11674-00	Rear Cover	1
NS	76-00653-01	Kit, Noise Reduction (Bottom Cover With Insulation) - Includes:	1
NS	34-00918-06	Screw, Hex Head With Washer 1/4-20 x .75	4
NS	34-06051-06	Rivnut, 1/4-20	4
NS	42-00264-00	Seal, Black Trim (NSI)	A/R
NS	42-00280-00	Insulation, Bottom Cover (NSI)	4
NS	42-00280-01	Insulation, Bottom Cover (NSI)	1
NS	42-00280-06	Insulation, Bottom Cover (NSI)	1
NS	58-00065-08	Grommet, 0.88 ID x 1.25 OD (NSI)	1
NS	68-11673-00	Cover	1
NS	68-11675-00	Angle	1
NS	68-11676-00	Angle	1
NS	62-03957-01	Decal, High Voltage Warning (NSI)	1
NS	62-60280-00	Decal, Standby Safety (NSI)	1
NS	34-06051-07	Rivnut, 1/4-20	7



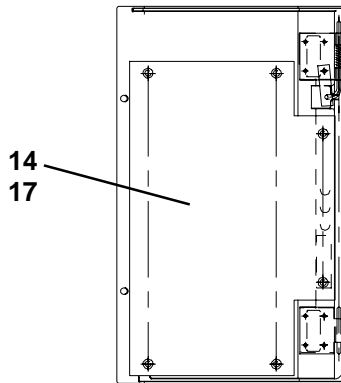


Detail A
Inside of Door Assembly
(Upper Curbside)

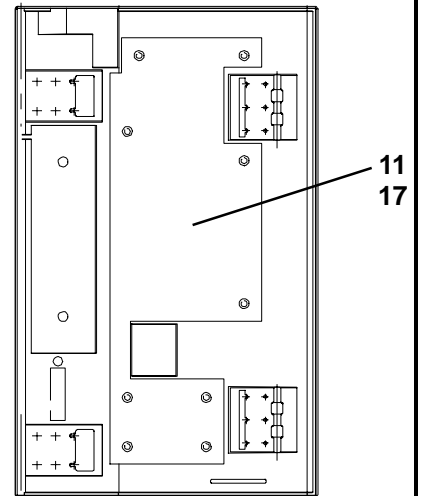
Detail B
Inside of Grille
(Upper Front)



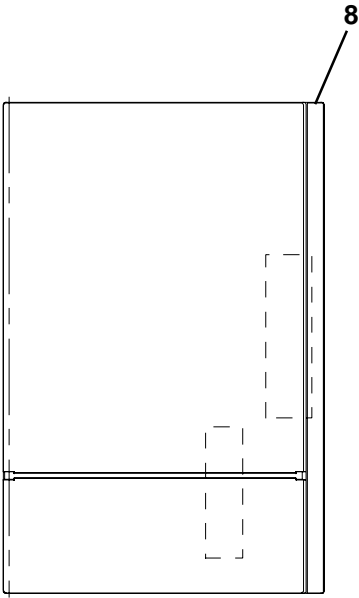
Detail C
Inside of Door Assembly
(Upper Roadside)



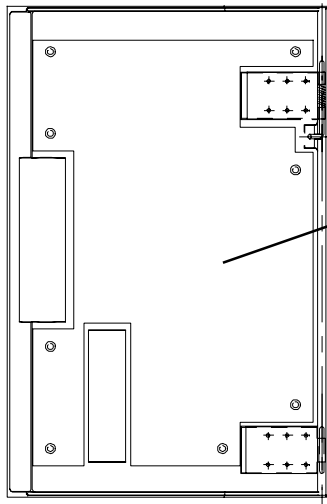
Detail D
Inside of Door Assembly
(Roadside)



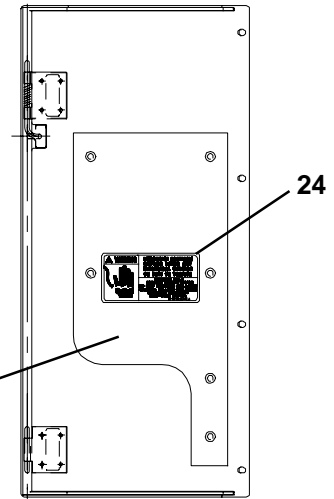
Detail E
Inside of Front Door Assembly
(Roadside)



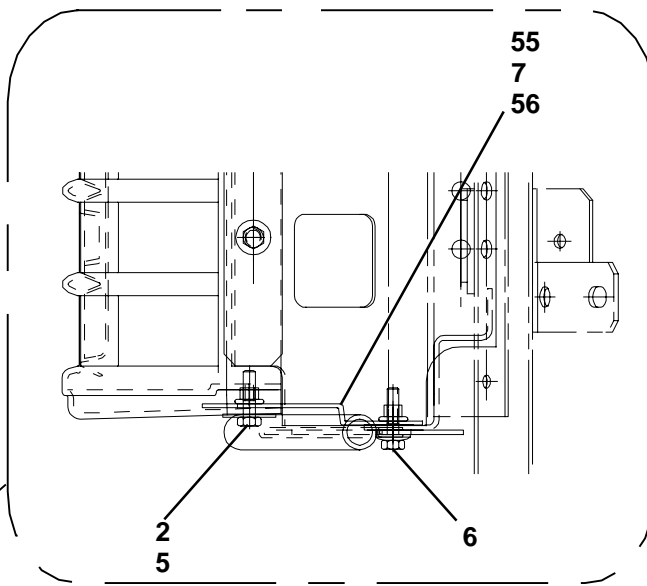
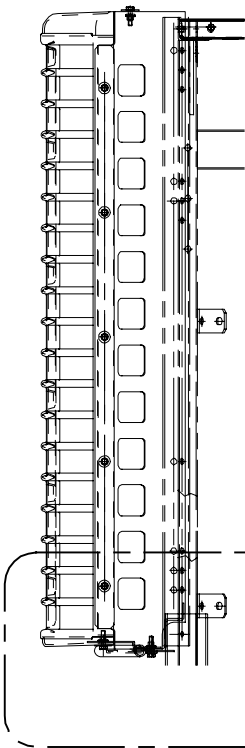
Detail F
Outside of Front Door Assembly
(Curbside)



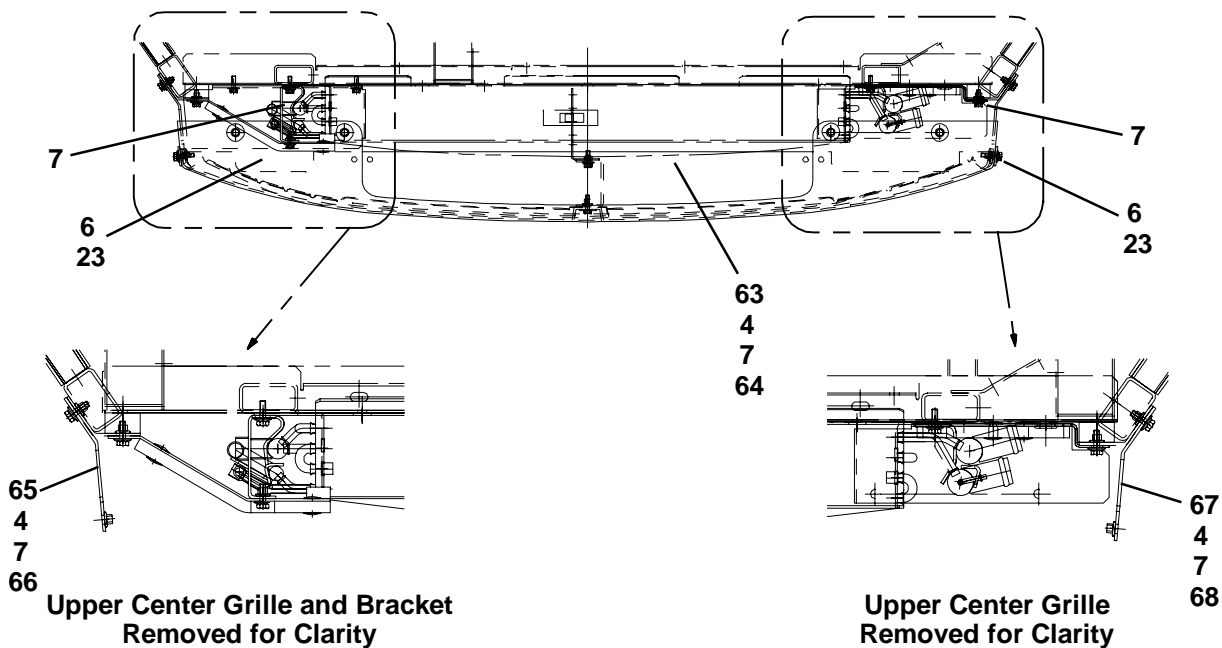
Detail F
Inside of Front Door Assembly
(Curbside)



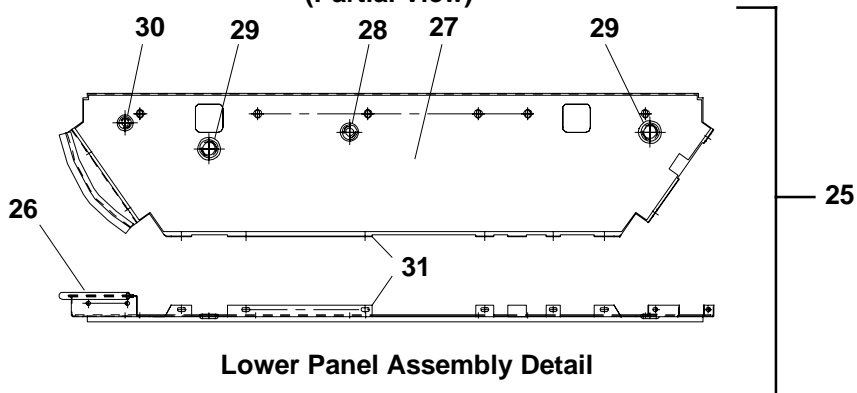
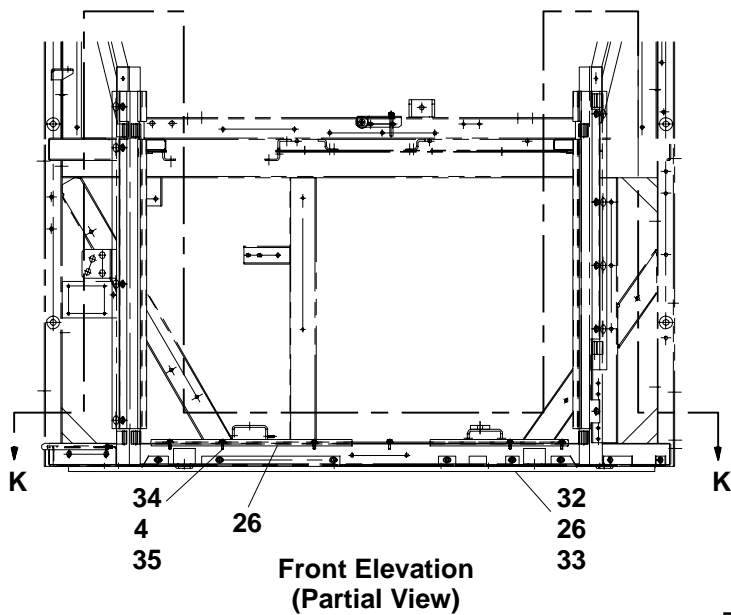
Detail G
Inside of Door Assembly
(Curbside)

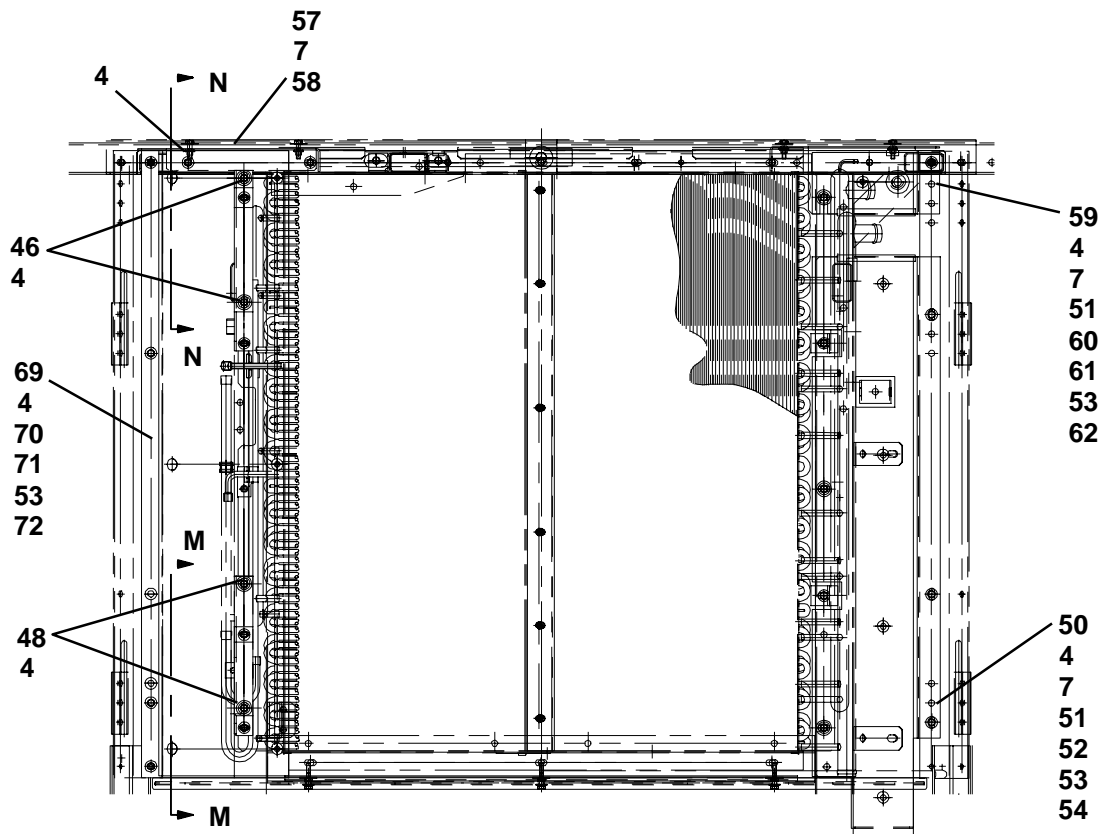
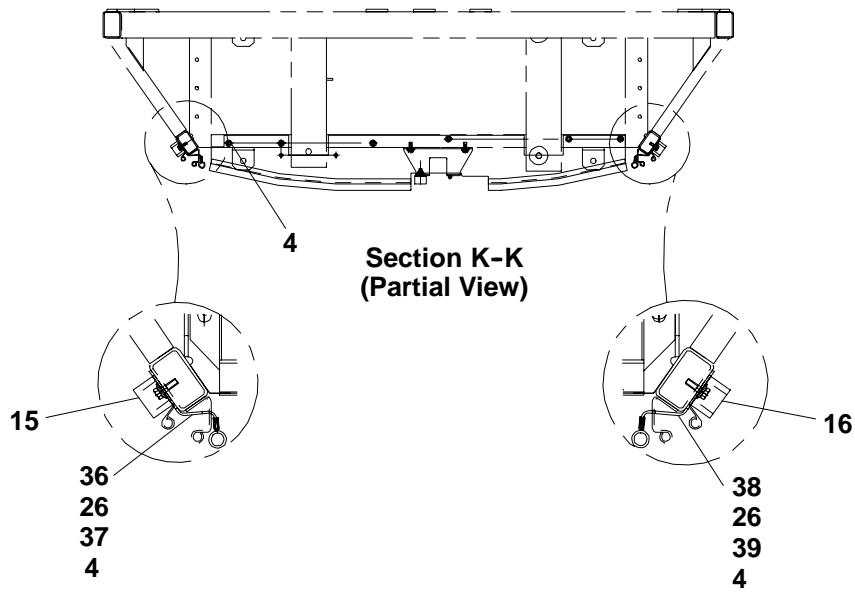


Detail H

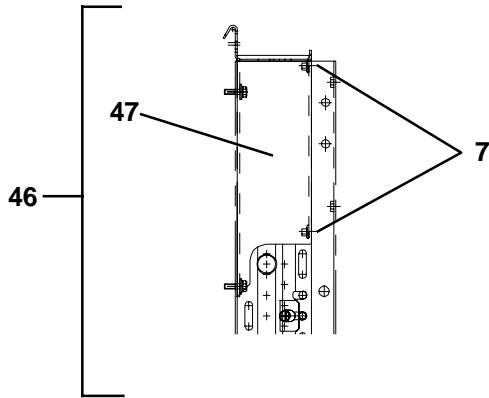


View J-J

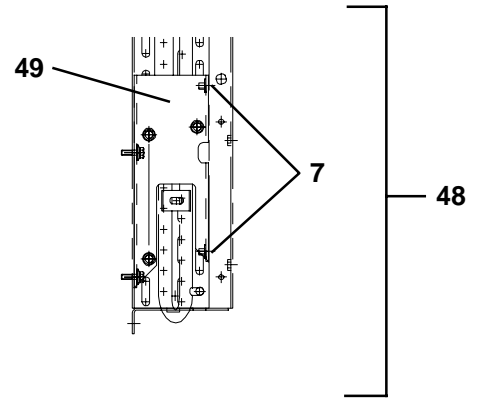




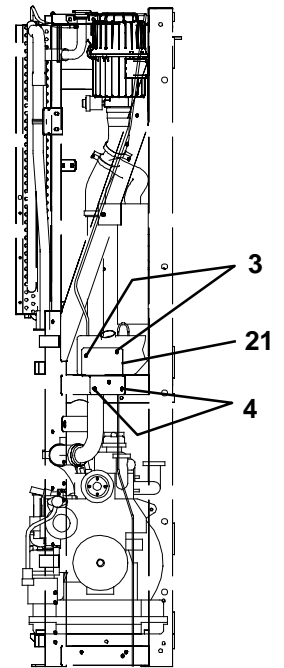
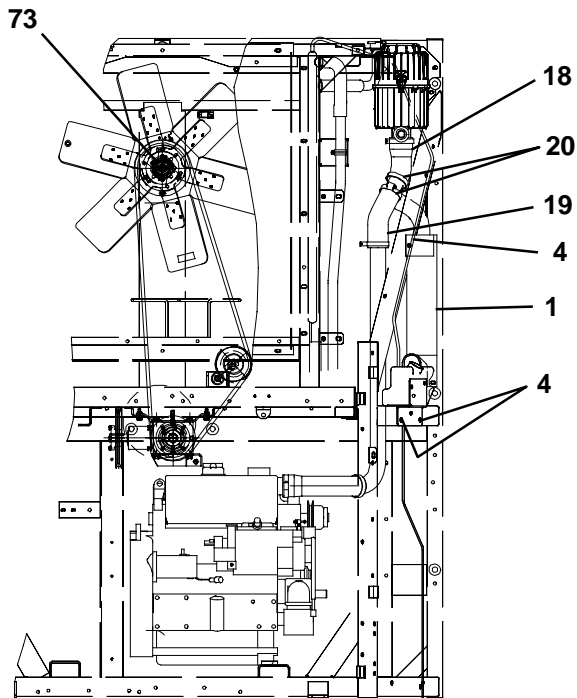
Front Elevation
with Grille and Side Mounting Angles Removed



**View N-N
(Partial View)**



**View M-M
(Partial View)**



Air Filter and Condenser Fan Information

&&'' GHYUH 'BcJgYFYXi Wjcb' Cdljcb' f' cbljbi YXL

Item	Part Number	Description	Qty
-	76-00714-00	Noise Reduction Kit - Includes:	1
1	30-00439-00	Air Inlet Assembly, Resonator	1
2	34-00662-20	Washer, Plain 9/32 ID (SPECIAL) - SST	3
3	34-00918-04	Screw, Hex, Washer Head, 1/4-20 X .50	2
4	34-00918-06	Screw, Hex, Washer Head, 1/4-20 X .75	42
5	34-06003-08	Screw, Cap, Hex Head, 1/4-20 X 1.00 - SST	3
6	34-06025-08	Screw, Hex Washer Head, 1/4-20 X 1.00	13
7	34-06051-06	Riv-nut, 1/4-20 - Steel	35
8	42-01174-48	Gasket, .19 X 1.38 X 42.00	1
9	42-00178-00	Insulation, Curbside	1
10	42-01180-00	Insulation, Curbside (Front)	1
11	42-01181-00	Insulation, Roadside (Front)	1
12	42-00415-00	Insulation, Curbside (Upper)	1
13	42-00415-01	Insulation, Roadside (Upper)	1
14	42-00423-00	Insulation, Roadside (Lower)	1
15	42-00428-00	Insulation, Curbside	1
16	42-00437-00	Insulation, Roadside	1
17	58-01214-00	Plug, Black - Plastic	29
18	58-04399-00	Hose, Formed, Air Inlet	1
19	58-04400-00	Hose, Formed, Resonator	1
20	44-00045-18	Clamp, Hose, 2.313-3.25 Worm	2
21	68-13135-00	Bracket	1
22	58-01288-03	Rivet, Ratchet - Nylon	28
23	68-13045-00	Plate	2
24	62-02139-00	Decal, WARNING, DISCONNECT BATTERY	1
25	76-00712-00	Accessory Kit, Noise Reduction - Includes:	1
4	34-00918-06	Screw, Hex, Washer Head, 1/4-20 X .75	22
NS	34-06051-06	Riv-nut, 1/4-20	6
26	42-00264-07	Seal, Trim, Black	A/R
27	42-00431-00	Insulation, Bottom Panel	1
28	58-00065-08	Grommet	1
29	58-00065-44	Grommet, 1.38ID x 1.62 OD x .09 THK.	2
30	58-00065-65	Grommet, .75 I.D. X 1.06 O.D.	1
31	68-13049-00	Cover, Bottom	1
NS	68-13126-00	Angle	1
NS	68-13125-00	Angle	2
32	79-01716-00	Panel Assembly, Lower Door Closure - Includes:	1
NS	34-06051-06	Riv-nut, 1/4-20	2
26	42-00264-07	Seal, Trim, Black	A/R
33	68-07405-00	Panel	1
34	79-01717-00	Panel Assembly, Curbside - Includes:	1
26	42-00264-07	Seal, Trim, Black	A/R
35	68-13037-00	Baffle, Curbside	1
36	79-01718-00	Panel Assembly, Roadside - Includes:	1
26	42-00264-07	Seal, Trim, Black	A/R
37	68-13038-00	Baffle, Roadside	1

&&'' GHYUH 'BcJgYFYXi Wjcb'Cdljcb'f' cbljbi YXL

Item	Part Number	Description	Qty
38	79-01719-00	Grille Assembly, Center - Includes:	1
39	42-00432-00	Insulation, Front Grille, Roadside	1
40	42-00432-01	Insulation, Front Grille, Curbside	1
41	42-00433-00	Insulation, Front Grille, Roadside	1
42	42-00433-01	Insulation, Front Grille, Curbside	1
22	58-01288-03	Rivet, Ratchet	56
43	58-01326-03	Grille, Front	1
44	79-01722-00	Bracket Assembly, Front Grille, Upper - Includes:	1
7	34-06051-06	Riv-nut, 1/4-20 - Steel	2
45	68-13067-00	Bracket	1
46	79-01723-00	Bracket Assembly, Front Grille, Lower - Includes:	1
7	34-06051-06	Riv-nut, 1/4-20 - Steel	5
47	NSS	Bracket	1
48	79-01724-00	Panel Assembly, Front Grille - Includes:	1
7	34-06051-06	Riv-nut, 1/4-20 - Steel	1
49	42-00183-00	Trim, Flexible, Fine Pebble - Black	A/R
50	42-00435-00	Insulation, Front Grille, Roadside	1
51	58-01288-02	Rivet, Ratchet	8
52	86-04316-00	Baffle Assembly, Front Grille, Roadside	1
53	79-01725-00	Plate Assembly, Front Grille, Bottom - Includes:	1
7	34-06051-06	Riv-nut, 1/4-20 - Steel	6
54	68-13087-00	Plate	1
55	79-01726-00	Bracket Assembly, Front Grille, Top - Includes:	1
7	34-06051-06	Riv-nut, 1/4-20 - Steel	2
56	68-13089-00	Bracket	1
57	79-01727-00	Baffle Assembly, Front Grille, Top - Includes:	1
7	34-06051-06	Riv-nut, 1/4-20 - Steel	2
49	42-00183-00	Trim, Flexible, Fine Pebble-Black	A/R
58	42-00434-00	Insulation, Front Grille, Roadside	1
59	58-00065-28	Grommet, .50ID X .75 OD X .09 THK.	1
51	58-01288-02	Rivet, Ratchet	2
60	68-13128-00	Baffle	1
61	79-01728-00	Bracket Assembly, Center Grille - Includes:	1
7	34-06051-06	Riv-nut, 1/4-20 - Steel	6
62	68-13021-00	Bracket	1
63	79-01729-00	Angle Assembly, Center Grille, Roadside - Includes:	1
7	34-06051-06	Riv-nut, 1/4-20 - Steel	5
64	68-13044-00	Angle	1
65	79-01729-01	Angle Assembly, Center Grille, Curbside - Includes:	1
7	34-06051-06	Riv-nut, 1/4-20 - Steel	5
66	68-13044-01	Angle	1

&&'' GHYUH 'Bc]gYFYXi W]cb' Cdl]cb' f' cb]bi YXL

Item	Part Number	Description	Qty
67	79-01730-00	Baffle Assembly, Center Grille - Includes:	1
68	42-00426-03	Insulation, Front Grille, Curbside	1
69	42-00436-00	Insulation, Front Grille, Curbside	1
51	58-01288-02	Rivet, Ratchet	12
70	68-13066-00	Baffle	1
71	79-01731-00	Baffle Assembly, Upper Door Closure - Includes:	1
26	42-00264-07	Seal, Trim, Black	A/R
72	68-13040-00	Baffle, Center	1
73	38-00528-00SV	Condenser Fan With Spacer	1
NS	68-13127-00	Baffle, Belt	1
NS	68-13063-00	Baffle, Curbside	1
NS	68-13056-00	Baffle, Alternator	1
NS	68-13055-00	Baffle, Belt	1
NS	68-13051-00	Cover, Standby Motor	1
NS	68-13043-00	Baffle, Curbside, Upper	1
NS	68-07647-01	Guard, Belt	1
NS	68-13031-00	Baffle, Roadside	1
NS	42-00430-00	Insulation, Roadside, Corner	1
NS	42-00429-00	Insulation, Curbside, Corner	1
NS	42-00427-00	Insulation, Belt Baffle	1
NS	42-00416-00	Insulation, Belt Guard	1

PART NUMBER INDEX

PART NO.	PAGE NO.	PART NO.	PAGE NO.	PART NO.	PAGE NO.
04-00058-00	30	12-01039-08	15	22-00041-00	1
04-00122-30	12	12-01072-11SV	12	22-00041-02	1
07-00308-00	30	12-01141-00	18, 19	22-00066-01	1
07-00309-00	30	12-01141-20	18, 19	22-00066-02	1
07-00310-00	30	12-01141-21	18, 19	22-00066-03	1
07-00311-00	30	12-00283-00	15	22-00119-04	1
07-00339-00	29	14-00111-00	14	22-00120-04	1
07-00340-00	29	14-00147-05	17	22-00120-07	1
07-00341-00	29	14-00150-51	17	22-00121-07	1
07-00342-00	29	14-00176-02	12	22-00398-00	38
07-00343-00	29	14-00199-00	14	22-00538-01	42
07-00344-00	29	14-00209-00	15	22-00595-01	2
07-00357-00	29	14-00209-00P10	1	22-01106-00	2
08-00197-01	12	14-00220-00	14	22-01107-00	2
08-00224-00	14	14-00232-25SV	12	22-01139-04	1
08-00225-00	12	14-00319-00	17	22-01140-01	1
10-00286-02	40, 42	14-00319-50	17	22-01140-02	1
10-00286-04	42	14-00348-05	15	22-01140-04	1
10-00319-00	42	14-00350-01	17	22-01141-01	2
10-00327-00	44	14-01032-00	14	22-01172-00, 2	
10-00328-00	42	14-01042-04	15	22-01443-00F150	19
10-00375-01	42	14-01114-00	17	22-01443-00F50	40
10-01129-16	42	14-01114-51	17	22-01465-50	10
10-01178-00	21	14-01122-05	14	22-01465-51SV	10
12-00104-03	19	14-01122-50	14	22-01467-00	10, 44
12-00104-99	19	14-01122-51	14	22-01468-20	10
12-00267-00	40	14-01122-52	14	22-01565-00	42
12-00284-00	21, 22	14-01122-53	14	22-01633-00	36
12-00299-16	21	14-01122-56	14	22-01633-01	36
12-00307-00SV	44	14-50052-01	17	22-01633-10	36
12-00309-04	21	17-10806-10	15	22-01633-11	36
12-00312-01	21	17-10812-00	14, 15	22-01636-01	12
12-00400-00/4107	39	17-40002-01	14	22-01641-00	44
12-00413-02T	39	17-40005-05	14, 15	22-01660-03	39
12-00419-03	40	17-40013-00	15	22-01660-05	39
12-00419-04	40	17-44138-00	15	22-01688-00	42
12-00456-00	24	17-44141-00	14	22-01720-01	39
12-00476-01	39	18-00059-72RM	21	22-01737-00	39
				22-01737-04	39

PART NUMBER INDEX

PART NO.	PAGE NO.	PART NO.	PAGE NO.	PART NO.	PAGE NO.
22-01739-00	39	22-01860-00	26	30-00409-57	27
22-01941-00	12	25-35384-00	22	30-00430-00	32
22-02336-01	42	25-37085-00	24	30-00430-22	32
22-02336-01P05	1	25-37150-00	24	30-00439-00	54
22-02336-02	42	25-37238-00	35	30-01044-21	18
22-02336-02P05	1	25-37588-00	33	30-01044-22	18
22-02336-04	18, 42	25-37589-00	33	30-01052-00	35
22-02336-04P05	1	25-37594-00	33, 34	30-01077-01	31
22-02336-05	42	25-38109-00	22, 24	30-01078-08	33
22-02336-05P05	1	25-38666-12	34	30-01079-01	33
22-02336-06	42	25-38666-14	34	30-01080-02SV	18
22-02336-06P05	1	25-39291-00	22	30-01080-20	18
22-02336-08	42	25-39292-00	22	30-01088-30	33
22-02336-08P05	1	25-39293-00	22	30-01090-01	33
22-02336-09	42	26-00119-00	21	30-01090-01P12	1
22-02336-09P05	1	30-00175-01	35	30-01096-00	39
22-02338-00	42	30-00304-00	24	30-01098-00	33
22-02338-01	42	30-00323-00	24	30-01098-05	33
22-02579-02	17	30-00325-00	24	30-01098-26	33
22-02688-00	40	30-00397-00	38	30-01098-27	33
22-02695-00	40	30-00401-04	35	30-01098-28	33
22-02695-01	40	30-00402-05	35	30-01098-33	33
22-02733-01	40	30-00402-06	35	30-01098-34	33
22-02805-00	17	30-00406-00	31	30-01098-41	33
22-50078-01SV	12	30-00406-02	32	30-50017-00	34
22-50078-02SV	12, 17, 22, 24	30-00409-10	27	34-00216-18	5
22-50078-03SV	10	30-00409-30	27	34-00300-08	28
22-50078-04SV	10	30-00409-35	27	34-00300-10	24
22-50078-05SV	40	30-00409-41	27	34-00300-18	15
22-50078-08SV	40	30-00409-42	27	34-00300-24	14
22-50078-11	42	30-00409-44	27	34-00300-26	15
22-50078-32	42	30-00409-50	27	34-00302-06	26
22-50079-00	42	30-00409-51	27	34-00302-10	21
22-50100-00	44	30-00409-52	27	34-00302-14	15
22-50117-00	42	30-00409-53	27	34-00304-08	21, 26, 30
22-50128-00	44	30-00409-54	27	34-00304-10	21, 34
22-50165-00	44	30-00409-55	27	34-00304-12	28
		30-00409-56	27	34-00308-20	15
				34-00309-12	26

PART NUMBER INDEX

PART NO.	PAGE NO.	PART NO.	PAGE NO.	PART NO.	PAGE NO.
34-00309-14	21	34-00676-36	21	34-06040-00	6
34-00360-09	5	34-00676-40	21	34-06051-04	9
34-00361-11	14	34-00678-22	26	34-06051-06	8, 15, 31, 35, 38, 39, 47, 54, 55
34-00366-09	5	34-00699-03	26, 28	34-06051-07	9, 26, 47
34-00366-11	14	34-00699-14	19	34-06051-11	9
34-00366-13	30	34-00829-15	7	34-06051-18	9
34-00366-17	21	34-00890-07	21	34-06051-36	8
34-00368-11	15, 30	34-00917-08	44	34-06089-00	44
34-00368-13	30	34-00918-04	16, 38, 54	34-06122-00	4, 5
34-00368-15	21, 26	34-00918-06	5, 8, 15, 21, 26, 31, 32, 35, 39, 42, 44, 47, 54	34-06126-06	44
34-00373-05	15, 38			34-06126-08	39, 44
34-00373-05P10	1			34-06126-10	44
34-00373-07P10	1	34-00918-08	16, 38	34-06173-00	28
34-00373-11	1	34-00919-08	30	34-06173-01	28
34-00373-17	38	34-00927-00	21	34-50008-01	2
34-00373-51	12	34-00930-10	29	34-01280-16	29
34-00373-51P10	1	34-00932-13	35	34-06181-01	29
34-00373-53P10	1	34-00938-09	42	38-00528-00SV	56
34-00373-59	1	34-00944-08	21, 32	38-00529-00	29
34-00373-65	1	34-00944-10	21, 34	38-00530-02SV	12
34-00373-67	1	34-00944-12	21	38-00528-00SV	29
34-00373-69P10	1	34-00945-08	21, 32	40-00072-07	15
34-00373-71	1	34-00945-12	21	40-00086-04	15
34-00559-08	21	34-00960-16	12	40-00102-03	21
34-00588-15	26	34-00962-25	21	40-00102-04	15
34-00615-10	26	34-00964-00	35	40-00117-01	19
34-00616-00	21	34-00996-06	44	40-00121-01	21, 30
34-00655-06	4, 5, 12	34-00996-08	16, 31	40-00169-05	12
34-00662-05	39, 44	34-01226-00	44	40-00169-06	16
34-00662-11	4, 5, 12	34-01241-20	21, 32	40-00243-00	22
34-00662-12	36	34-01247-88	36	40-00253-00	28, 30
34-00662-20	6, 8, 12, 54	34-01279-12	26	40-00342-02	18, 24
34-00663-05	44	34-06003-08	8, 54	40-00342-03	24
34-00663-11	4, 5, 8, 12	34-06025-06	4, 5	40-00435-04	22
34-00663-12	36	34-06025-08	44, 54	40-00437-00	18
34-00666-13	7	34-06038-00	15	40-00450-00	18
34-00667-05	39, 44			40-00450-01	18

PART NUMBER INDEX

PART NO.	PAGE NO.	PART NO.	PAGE NO.	PART NO.	PAGE NO.
40-00501-02	14	42-00428-00	54	44-00320-00	5
40-00501-50	14	42-00429-00	56	44-00320-01	5
40-00506-00	31	42-00430-00	56	44-00323-00	4
40-00507-00	24	42-00431-00	54	44-00323-01	4
40-00508-01SV	28, 30	42-00432-00	55	44-00326-00	4
40-01124-00	14	42-00432-01	55	44-00333-00	44
40-01153-00	34	42-00433-00	55	44-00333-01	44
40-01156-00	33	42-00433-01	55	44-00334-00	43
40-60029-02	15	42-00434-00	55	44-00340-01	44
42-00107-00	31	42-00435-00	55	44-00340-03	44
42-00174-48	54	42-00436-00	55	44-00351-00	44
42-00183-00	55	42-00437-00	54	44-00389-00	6
42-00251-00	44	42-01133-00	34	44-00390-00	6
42-00254-00	42	42-01150-00	47	44-01028-13	15
42-00255-00	12	42-01151-00	47	44-01043-05	2
42-00256-00	8	42-01156-00	12	44-01043-07	2
42-00258-00	12	42-01167-00	47	44-01049-01	21
42-00264-00	47	42-01178-00	54	44-01134-04	16
42-00264-07	54, 55	42-01180-00	54	44-01137-19	34
42-00266-00	44	42-01181-00	54	44-01140-00	38
42-00267-00	44	42-01195-00	42	44-01140-06	12
42-00274-02	47	44-00022-04	31	44-01149-04	4
42-00275-00	47	44-00045-01	1	44-01150-00SV	6
42-00277-00	47	44-00045-03	38	44-01152-00	5
42-00279-00	47	44-00045-03P05	1	44-01152-01	5
42-00280-00	47	44-00045-05P05	1	44-01155-06	38
42-00280-01	47	44-00045-18	31, 32, 54	44-01156-00	5
42-00280-06	47	44-00045-25	33	44-01156-01	5
42-00372-00	12	44-00046-01	19	48-00058-02	23
42-00386-00	12	44-00046-03	19	48-00058-05	23
42-00392-00	8	44-00046-04	19	48-00181-00	22
42-00393-00	8	44-00046-08	19	48-00267-00	23
42-00415-00	54	44-00102-02	34	48-00269-00	7
42-00415-01	54	44-00102-06P05	1	48-00273-00	21
42-00416-00	56	44-00285-20	15	48-00273-02	21
42-00423-00	54	44-00285-40	15	48-00310-00	28
42-00426-03	55	44-00285-60	14	48-00324-00	26
42-00427-00	56	44-00293-07	38	48-00327-00	22
				48-00330-01	26

PART NUMBER INDEX

PART NO.	PAGE NO.	PART NO.	PAGE NO.	PART NO.	PAGE NO.
48-50005-00	21	58-00065-08	47, 54	58-01307-00	4
50-00162-04	2, 24	58-00065-28	55	58-01313-07	4
50-00178-16	2, 21	58-00065-44	54	58-01317-00	38
50-00178-20	2, 26	58-00065-65	54	58-01317-01	38
50-00179-10	2, 26	58-00185-14	38	58-01317-02	38
50-00214-38SV	30	58-00185-24	38	58-01326-02	5
50-00224-00	30	58-00185-31	38	58-01326-03	55
50-00224-02	30	58-00253-00	12	58-01330-00	40
50-00227-00	30	58-00507-00F50	18	58-01331-00	12
50-00228-01SV	28	58-00511-03	4	58-01335-00	36
50-00228-22	28	58-00511-115	39	58-04015-03	19
50-00228-24	28	58-00536-02	5	58-04097-00	6
50-00229-00SV	28	58-00580-00	24, 34	58-04099-01	9
50-01127-12	26	58-00580-00F50	18	58-04099-02	9
50-01148-29	29	58-00659-00	33, 38	58-04099-04	9
50-01152-00	23, 26	58-00660-00	44	58-04099-05	9
50-01152-22SV	23	58-00712-15	12	58-04102-00	31
50-01152-25SV	23	58-00743-00	38	58-04109-04	43
50-01152-26	23	58-00772-01	12	58-04112-02	44
50-50053-01	29	58-00793-00	12	58-04128-00	44
50-50054-01	29	58-00869-00	14	58-04194-00	6
50-50055-00	29	58-00901-00F06	5	58-04223-04	38
56-03757-00	15	58-00902-08	38	58-04223-05	38
56-03811-00	16	58-00902-09	38	58-04223-06	38
56-03812-00	16	58-00902-11	38	58-04322-00	12
56-06897-01	14	58-00913-00	5	58-04322-01	12
56-06936-00	7	58-00915-00	24, 34	58-04323-00	4
56-06942-04	14	58-01071-00F25	12, 15	58-04329-00	32
56-06943-00	14	58-01214-00	47, 54	58-04330-00	31, 32
56-07041-00	14	58-01251-00	33	58-04331-01	4, 5
56-07249-00	14	58-01278-00	12	58-04332-00	4, 5
56-07251-00	15	58-01288-01	6, 47	58-04399-00	54
56-07253-00	15	58-01288-02	55	58-04400-00	54
56-07257-00	16	58-01288-03	54, 55	62-01803-00	46
56-07264-01	38	58-01291-00SV	38	62-02139-00	46, 54
56-07265-00	38	58-01301-03	5	62-02140-00	46
56-07296-00	12	58-01302-03	5	62-02144-00	46
56-08291-00	14	58-01306-04	4	62-02146-00	46
				62-02448-00	44

PART NUMBER INDEX

PART NO.	PAGE NO.	PART NO.	PAGE NO.	PART NO.	PAGE NO.
62-02449-00	44	65-01053-02	19	68-11534-00	7
62-02450-00	44	65-01060-10	19	68-11535-00	7
62-02454-00	42	65-01060-11	19	68-11547-00	15
62-02478-06	46	65-01060-12	19	68-11565-00	38
62-02487-07	44	65-01060-13	19	68-11566-00	4, 5
62-02505-00	46	65-01073-10	18	68-11580-00	42
62-02507-00	4	65-01078-00	14	68-11596-00	36
62-02509-00	46	65-01081-01	19	68-11608-00	21
62-02580-04	4	65-01081-02	19	68-11615-00	5
62-02772-00	39	65-01081-06	19	68-11615-01	5
62-02789	39	65-01085-00	14	68-11673-00	47
62-03797-02	15	65-00168-22	14	68-11674-00	47
62-03797-11	15	65-01085-22	14	68-11675-00	47
62-03942-01	46	65-01085-23	14	68-11676-00	47
62-03942-02	46	66U1-2233-33	27	68-11848-01	14
62-03942-03	46	66U1-3803-P10	2	68-11849-00	15
62-03942-30	46	68-03811-00	19	68-11882-00	39
62-03942-31	46	68-03812-00	19	68-12019-00	31
62-03942-32	46	68-06985-00	15	68-12029-00	39
62-03957-01	47	68-06986-00	14	68-12176-00	7
62-03958-00	46	68-07144-00	38	68-12431-00	26
62-03959-00	46	68-07204-01	6	68-12511-00	28
62-03975-00	46	68-07236-00	8	68-12580-00	12
62-03975-01	46	68-07349-00	5	68-12588-00	6
62-03995-00	39	68-07405-00	54	68-12589-00	35
62-04033-00	4	68-07409-00SV	5	68-12645-00	28
62-04033-01	4	68-07410-00SV	5	68-12666-00	8
62-60280-00	47	68-07438-03	22, 26	68-12667-00	8
62-02142-00	46	68-07647-01	56	68-12677-00	15
62-03882-00	46	68-07668-00	36	68-12679-00	12
65-00098-03	19	68-07673-00	15	68-12728-00	39
65-00098-04	19	68-07676-01	40	68-13021-00	55
65-00098-06	19	68-07677-00	32	68-13031-00	56
65-00098-07	19	68-07682-00	40	68-13037-00	54
65-00098-08	19	68-07996-00	16	68-13038-00	54
65-00098-12	19	68-10745-00	12	68-13040-00	56
65-00113-00	19	68-11009-00	10	68-13043-00	56
65-00168-24	14	68-11531-00	5	68-13044-00	55
				68-13044-01	55

PART NUMBER INDEX

PART NO.	PAGE NO.	PART NO.	PAGE NO.	PART NO.	PAGE NO.
68-13045-00	54	77-00669-20	39	81-01493-00	14
68-13049-00	54	79-00916-06	19	81-01498-00	15
68-13051-00	56	79-01623-06	19	81-01500-00	14
68-13055-00	56	79-01667-00	39	81-01521-00	14
68-13056-00	56	79-01668-00	39	81-01918-00	14
68-13063-00	56	79-01716-00	54	81-02617-00SV	16
68-13066-00	55	79-01717-00	54	86-02798-01	30
68-13067-00	55	79-01718-00	54	86-02803-00	14
68-13087-00	55	79-01719-00	55	86-02924-00	5
68-13089-00	55	79-01722-00	55	86-02925-00	4
68-13125-00	54	79-01723-00	55	86-02926-00	5
68-13126-00	54	79-01724-00	55	86-02932-00	21
68-13127-00	56	79-01725-00	55	86-02961-00	12
68-13128-00	55	79-01726-00	55	86-03008-00	15
68-13135-00	54	79-01727-00	55	86-04056-01	24
73-00160-00	21	79-01728-00	55	86-04132-00	39
73-00324-00SV	21	79-01729-00	55	86-04189-00	7
73-00325-01	15	79-01729-01	55	86-04213-00	35
73-00326-01	15	79-01730-00	55	86-04232-00	26
73-00329-00	7	79-01731-00	55	86-04240-00	12
76-00501-00	39	79-02266-00	44	86-04249-00	12
76-00520-00	40	79-02287-05	9	86-04253-00	31
76-00520-01	40	79-02303-01	47	86-04253-01	32
76-00520-02	40	79-02305-00	33	86-04257-00	15
76-00522-00	40	79-02316-00	26	86-04259-00	38
76-00522-01	40	79-02323-05	43	86-04260-00	38
76-00522-02	40	79-02327-06	9	86-04267-00	39
76-00524-00	40	79-02328-00	8	86-04316-00	55
76-00653-01	47	79-02330-00	36	91-00288-40	44
76-00674-02	39	79-02334-04	44	91-00288-55	43
76-00693-00	6	81-00961-00	19	91-00288-60	44
76-00712-00	54	81-01318-05	14	91-00309-01	39
76-50001-01	10	81-01381-00	15	91-01126-00	42
76-50055-02	4	81-01474-00	38	91-01139-00	40
76-00714-00	54	81-01492-00	14		



A member of the United Technologies Corporation family. Stock symbol UTX
©2012 Carrier Corporation D Printed in U. S. A. 0112



Carrier

A United Technologies Company

Carrier Transicold Division, Carrier Corporation
Truck/Trailer & Container Product Groups
P.O. Box 4805
Syracuse, N.Y. 13221 U.S.A

www.carrier.transicold.com