



**TRANSICOLD**

# Truck Refrigeration Unit

**SUPRA  
422**

**SERVICE  
PARTS LIST**



**TRANSICOLD**

# Service Parts List SUPRA 422 NOSEMOUNT TRUCK REFRIGERATION UNIT

## CONTENTS

|   |    |
|---|----|
| Introduction .....  | 1  |
| Ordering Instructions .....                                       | 1  |
| General Notes .....   | 1  |
| 1. Quick List – Clamps, Filters, Fuses, Ty-raps and V-belts ..... | 2  |
| 2. Screws and Washers .....                                       | 2  |
| 3. Frame and Skin .....   | 4  |
| 4. Evaporator .....   | 6  |
| 5. Condenser/Radiator .....                                       | 7  |
| 6. Platform .....   | 8  |
| 7. Refrigeration Circuit .....                                    | 10 |
| 8. Engine .....   | 12 |
| 9. Air Cleaner .....  | 14 |
| 10. Clutch and Oil Drain Set .....                                | 14 |
| 11. Standby Motor .....   | 15 |
| 12. Control Panel with Analog Controller .....                    | 16 |
| 13. Control Panel with Microprocessor Controller .....            | 18 |
| 14. Fuel Pump and Filter .....                                    | 20 |
| 15. Alternator (P/N 30-00393) .....                               | 21 |
| 16. Alternator (P/N 30-00409) .....                               | 22 |
| 17. Box Standby .....   | 23 |
| 18. Remote Switch Box .....                                       | 24 |



# SUPRA 422

## INTRODUCTION

This parts list identifies service replacement parts for the Carrier Transicold Model SUPRA 422 refrigeration units. This parts list does not include detailed replacement parts for the engine listed in the second table below. Detailed parts identification for the engine may be found in the applicable parts list.

## MODEL CHART

| Name      | Model  | Refrigerant | Motor    | Compressor | Standby Motor |
|-----------|--------|-------------|----------|------------|---------------|
| SUPRA 422 | TDS-10 | R 22        | CT2-29TV | York 210   | 4.8 hp        |
| SUPRA 422 | TDB-10 |             |          |            | –             |

| MANUAL FORM NO. | EQUIPMENT COVERED | TYPE OF MANUAL/FORM |
|-----------------|-------------------|---------------------|
| 62-02782        | CT2-29TV (Z482)   | Engine Parts List   |

## ORDERING INSTRUCTIONS

All orders and inquiries for parts must include: Unit Serial Number, Part no., description of part as shown on list and quantity required. Address all correspondence for parts to the following address according your living area.

| You live in :           | EUROPE (East/West)<br>AFRICA – MIDDLE EAST  | E.T.O. | AMERICA (North/Middle/South) N.A.O.  |
|-------------------------|---|--------|--|
| Address your orders to: | CARRIER TRANSICOLD E.T.O.<br>Service Pièces de Rechange<br>Franqueville – Saint – Pierre – B.P. 16<br>76520 BOOS – FRANCE<br>Phone: 35 79 46 46<br>Fax: 35 79 48 28 |        | CARRIER TRANSICOLD Division<br>Replacement Components Group TR-20<br>P.O. Box 4805, Syracuse, NY 13231<br>or<br>Fax to: (315) 432-3778 |

## GENERAL NOTES

This service parts list include all SUPRA 422 models distributed in the world

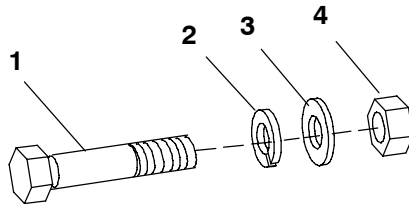
To find replacement parts determine major group in which replacement part is located, consult table of contents for the appropriate page for illustrated breakdown of the replacement part. The following letter designations are used to classify parts throughout this list.

|     |   |     |   |
|-----|---|-----|---|
| A/R | <i>As Required</i>  | P-- | <i>Suffix P-- added to part number means part is available in packaged quantity only. Example: P/N 34-00373-01P10 is a package of 10 P/N 34-00373-01. Use part number and P-- suffix when ordering.</i> |
| NLO | <i>No Longer Offered</i>  |     |   |
| NS  | <i>Not Shown in the illustration.</i>                                   |     |   |
| NSA | <i>Non-Stock Assembly – order components listed under the assembly.</i> | PL  | <i>Purchase Locally.</i>  |
| NSI | <i>Non-Stock Item – may be available on special order.</i>              | SST | <i>Stainless Steel – 300 series unless otherwise specified</i>  |
| NSS | <i>Not Sold Separately – order next higher assembly or kit.</i>         | SV  | <i>Suffix SV – added to part number designates service replacement part.</i>  |

# SUPRA 422

| PART NO.   | DESCRIPTION                               |
|--|---|
| <b>1. QUICK LIST – CLAMPS, FILTERS, FUSES, TY-RAPS AND V-BELTS</b> |   |
| 34-00373-07  | Clamp, Tube .62                           |
| 34-00373-11  | Clamp, Tube .88                           |
| 34-00373-12  | Clamp, Tube .94                           |
| 34-00373-51  | Clamp, Tube .25                           |
| 34-00373-53  | Clamp, Tube .38                           |
| 44-00285-60  | Clamp, Tube 7/8                           |
| 44-00285-61  | Clamp (28,45 mm) (1.12 inch)              |
| 44-00285-66  | Clamp, Tube 5/8                           |
| 44-00285-68  | Clamp, Tube 1 – 3/16                      |
| 44-00285-70  | Clamp, Tube 1                             |
| 44-00285-71  | Clamp, Tube .75                           |
| 44-00285-73  | Clamp (19,05 mm) (0.75 inch)              |
| 44-01134-14  | Clamp, Tube .88                           |
| 44-01139-01  | Clamp, Cable 1                            |
| 44-01139-02  | Clamp, Cable .75                          |
| 44-01142-00  | Clamp, Banding                            |
| 44-01143-01  | Clamp, Tube 1/4                           |
| 44-01143-03  | Clamp, Tube                               |
| 44-01146-00  | Clamp 1 – 1/4                             |
| 14-01063-03  | Filter Drier                              |
| 30-01079-01  | Filter, Fuel ( <b>Bowl Required</b> )     |
| 30-01090-00  | Filter, Fuel ( <b>Bowl Not Required</b> ) |
| 30-01044-20  | Filter, Fuel Pump                         |
| 25-34602-00  | Filter, Oil                               |
| 22-02336-01  | Fuse - 20 Amp.                            |
| 22-02336-05  | Fuse - 25 Amp.                            |
| 22-02336-06  | Fuse - 15 Amp.                            |
| 22-02336-09  | Fuse - 80 Amp.                            |
| 22-02336-04  | Fuse - 10 Amp.                            |
| 22-02336-02  | Fuse - 5 Amp.                             |
| 58-00079-00  | Ty-Raps                                   |
| 58-00079-02  | Ty-Raps                                   |
| 50-00179-04  | V-Belt, Compressor/Standby motor          |
| 50-00179-03  | V-Belt, Alternator                        |
| 50-01145-00  | V-Belt, Engine/Compressor                 |
| 25-34856-00  | V-Belt Water Pump                         |

## 2. SCREWS AND WASHERS

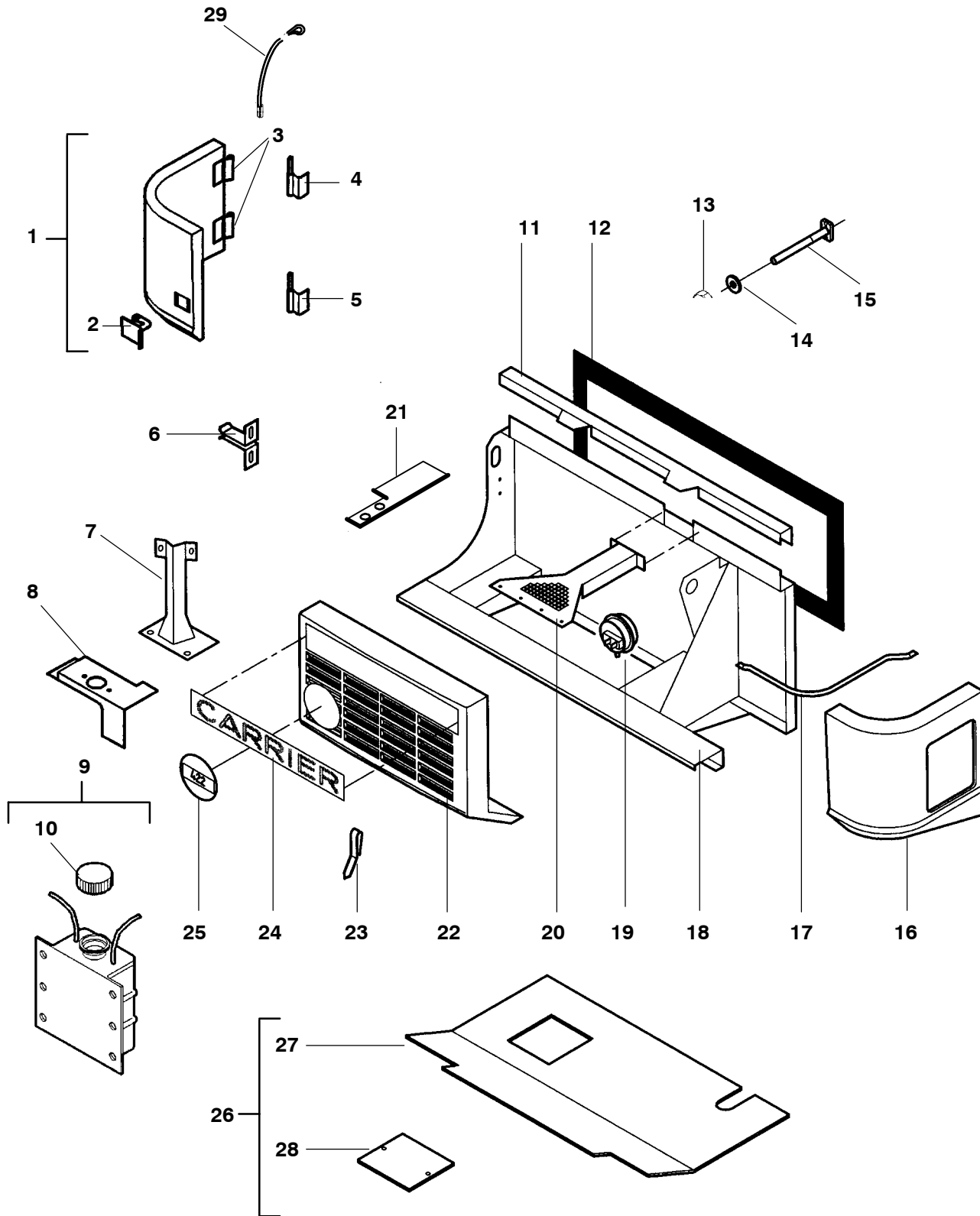


# SUPRA 422

| ITEM                         | PART NO.       | DESCRIPTION                                   | QTY |
|------------------------------|----------------|---|-----|
| <b>2. SCREWS AND WASHERS</b> |                |   |     |
| 1                            | 34-01197-10    | Screw, Hex Head, <b>M4 X 10mm lg – SST</b>    | A/R |
| 1                            | 34-60000-16    | Screw, Hex Head, <b>M5 X 16mm lg – SST</b>    | A/R |
| 1                            | 34-01152-20    | Screw, Hex Head, <b>M6 X 20mm lg – SST</b>    | A/R |
| 1                            | 34-01266-20    | Screw, Hex Head, <b>Sems M6 X 20mm lg</b>     | A/R |
| 1                            | 34-00967-25    | Screw, Hex Head, <b>M6 X 25mm lg</b>          | A/R |
| 1                            | 34-01152-25    | Screw, Hex Head, <b>M6 X 25mm lg – SST</b>    | A/R |
| 1                            | 34-01152-30    | Screw, Hex Head, <b>M6 X 30mm lg – SST</b>    | A/R |
| 1                            | 34-00967-35    | Screw, Hex Head, <b>M6 X 35m lg</b>           | A/R |
| 1                            | 34-00967-60    | Screw, Hex Head, <b>M6 X 60mm lg</b>          | A/R |
| 1                            | 34-60001-20    | Screw, Hex Head, <b>M7 X 20mm lg</b>          | A/R |
| 1                            | 34-00304-10    | Screw, Hex Head, <b>M8 X 20mm lg</b>          | A/R |
| 1                            | 34-00876-20    | Screw, Hex Head, <b>M8 X 20mm lg</b>          | A/R |
| 1                            | 34-01153-25    | Screw, Hex Head, <b>M8 X 25mm lg – SST</b>    | A/R |
| 1                            | 34-00876-30    | Screw, Hex Head, <b>M8 X 30mm lg</b>          | A/R |
| 1                            | 34-00825-02    | Screw, Hex Socket Head, <b>M8 X 30mm lg</b>   | A/R |
| 1                            | 34-00876-60    | Screw, Hex Head, <b>M8 X 60mm lg</b>          | A/R |
| 1                            | 34-00961-25    | Screw, Hex Head, <b>M10 X 25mm lg</b>         | A/R |
| 1                            | 34-00873-30    | Screw, Hex Head, <b>M10 X 30mm lg</b>         | A/R |
| 1                            | 34-00873-90    | Screw, Hex Head, <b>M10 X 90mm lg</b>         | A/R |
| 1                            | 34-01256-90    | Screw, Hex Head, <b>M10 X 90mm lg – SST</b>   | A/R |
| 1                            | 34-01261-10110 | Screw, Hex Head, <b>M10 X 110mm lg – SST</b>  | A/R |
| 1                            | 34-00300-06    | Screw, Hex Head, <b>1/4-20 X .75 lg</b>       | A/R |
| 1                            | 34-00919-08    | Screw, Hex Head Washer, <b>5/16-18 X 1 lg</b> | A/R |
| 1                            | 34-00615-20    | Screw, Hex Head, <b>5/16-18 X 2.5 lg</b>      | A/R |
| 1                            | 34-01087-01    | Screw, Lag <b>3/8-7 X 1.25 lg</b>             | A/R |
| 1                            | 34-00304-04    | Screw, Hex Head, <b>3/8-16 X 1.25 lg</b>      | A/R |
| 1                            | 34-00308-22    | Screw, Hex Head, <b>1/2-13 X 2.75 lg</b>      | A/R |
| 1                            | 34-00308-30    | Screw, Hex Head, <b>1/2-13 X 3.75 lg</b>      | A/R |
| 2                            | 34-00945-08    | Washer, Lock <b>M8</b>                        | A/R |
| 2                            | 34-00945-10    | Washer, Lock <b>M10</b>                       | A/R |
| 2                            | 34-00663-11    | Washer, Lock <b>1/4</b>                       | A/R |
| 2                            | 34-00368-13    | Washer, Lock <b>3/8</b>                       | A/R |
| 2                            | 34-00368-15    | Washer, Lock <b>1/2</b>                       | A/R |
| 3                            | 34-01151-04    | Washer, Flat <b>M4 – SST</b>                  | A/R |
| 3                            | 34-00944-06    | Washer, Flat <b>M6</b>                        | A/R |
| 3                            | 34-00944-08    | Washer, Flat <b>M8</b>                        | A/R |
| 3                            | 34-00944-10    | Washer, Flat <b>M10</b>                       | A/R |
| 3                            | 34-01151-10    | Washer, Flat <b>M10 – SST</b>                 | A/R |
| 3                            | 34-00944-12    | Washer, Flat <b>M12</b>                       | A/R |
| 3                            | 34-60002-54    | Washer, <b>M4 Belleville – SST</b>            | A/R |
| 3                            | 34-60002-55    | Washer, <b>M5 Belleville – SST</b>            | A/R |
| 3                            | 34-60002-06    | Washer, <b>M6 Belleville</b>                  | A/R |
| 3                            | 34-60002-56    | Washer, <b>M6 Belleville – SST</b>            | A/R |
| 3                            | 34-60002-08    | Washer, <b>M8 Belleville</b>                  | A/R |
| 3                            | 34-00890-00    | Washer, Flat <b>Special</b>                   | A/R |
| 3                            | 34-00662-12    | Washer, Flat <b>5/16</b>                      | A/R |
| 4                            | 34-01184-03    | Nut, Lock <b>M3 – SST</b>                     | A/R |
| 4                            | 34-01184-05    | Nut, Lock <b>M5 – SST</b>                     | A/R |
| 4                            | 34-01184-55    | Nut, Lock <b>M5</b>                           | A/R |
| 4                            | 34-01184-56    | Nut, Lock <b>M6</b>                           | A/R |
| 4                            | 34-01184-06    | Nut, Lock <b>M6 – SST</b>                     | A/R |
| 4                            | 34-01184-58    | Nut, Lock <b>M8</b>                           | A/R |
| 4                            | 34-01184-10    | Nut, Lock <b>M10 – SST</b>                    | A/R |
| 4                            | 34-01184-60    | Nut, Lock <b>M10</b>                          | A/R |
| 4                            | 34-00946-60    | Nut, <b>Hex M10</b>                           | A/R |
| 4                            | 34-00733-00    | Nut, Hex Keps <b>#10-32</b>                   | A/R |
| 4                            | 34-00637-13    | Nut, Jam <b>3/8-16</b>                        | A/R |
| 4                            | 34-00363-15    | Nut, <b>Hex 1/2-13</b>                        | A/R |
| 4                            | 34-00361-15    | Nut, <b>Self Lock 1/2-13</b>                  | A/R |

# SUPRA 422

## 3. FRAME AND SKIN

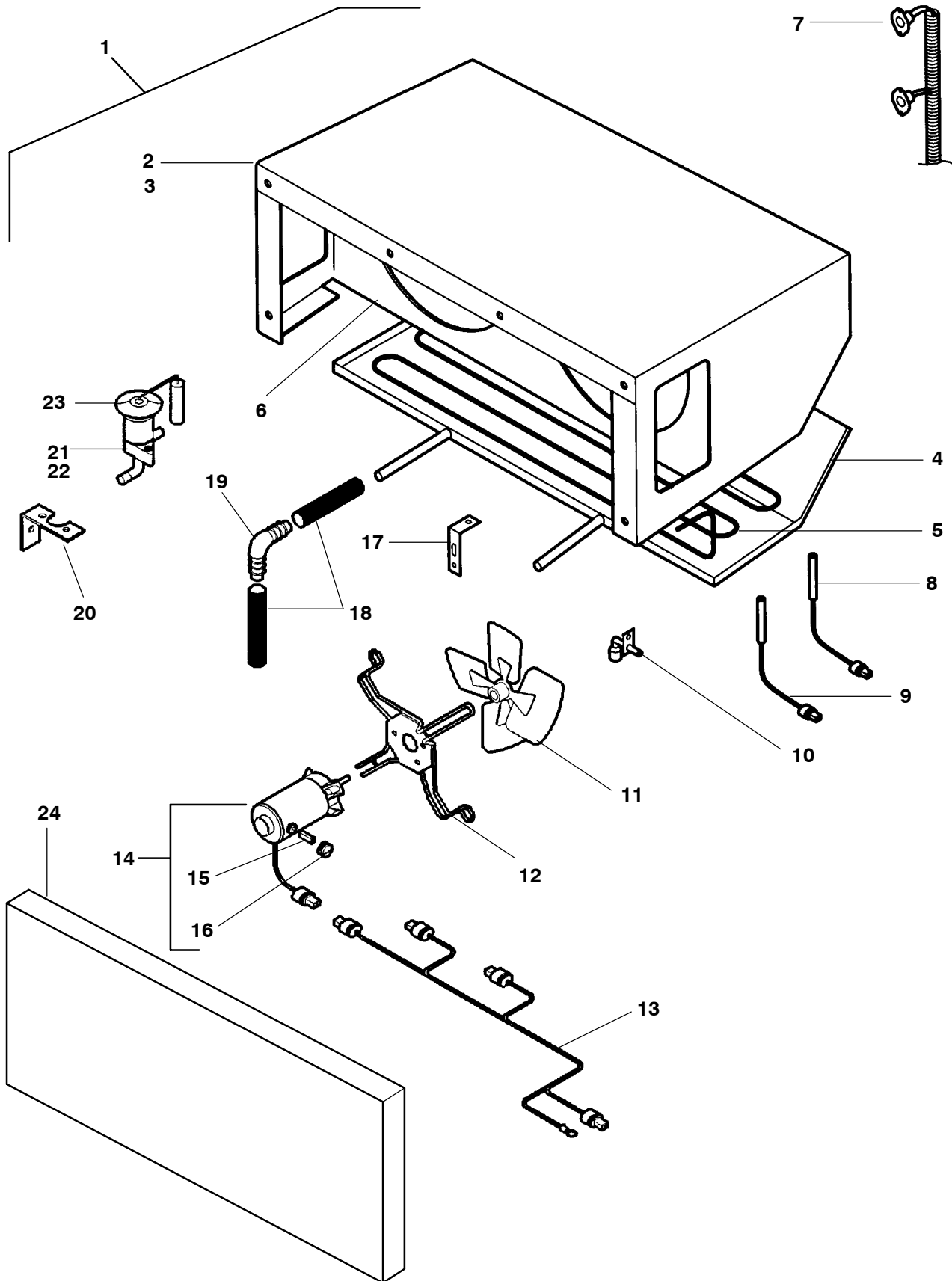


# SUPRA 422

| ITEM                     | PART NO.    | DESCRIPTION                              | QTY |
|--------------------------|-------------|--|-----|
| <b>3. FRAME AND SKIN</b> |             |  |     |
| 1                        | 58-60025-00 | Door – Includes:                         | 1   |
| 2                        | 44-60003-00 | Latch                                    | 1   |
| 3                        | 44-60002-00 | Hinge                                    | 2   |
| 4                        | 44-60000-00 | Hinge (Male)                             | 1   |
| 5                        | 44-60000-01 | Hinge (Male)                             | 1   |
| 6                        | 79-60009-00 | Latch, Door Lock                         | 1   |
| 7                        | 79-02297-00 | Bracket, Door Support                    | 1   |
| 8                        | 86-02881-00 | Bracket, Coolant Bottle                  | 1   |
| 9                        | 76-00382    | Bottle, Coolant – Includes:              | 1   |
| 10                       | 58-00743    | Cap                                      | 1   |
| 11                       | 68-07253-00 | Cover, Harness                           | 1   |
| 12                       | 42-01158-02 | Gasket, Bulkhead                         | 1   |
| 13                       | 34-01184-64 | Nut, Lock (M14)                          | 4   |
| 14                       | 34-01249-04 | Washer, Special (M14)                    | 4   |
| 15                       | 03049401    | T-Bolt (Metric)                          | 4   |
| 16                       | 58-60026-00 | Panel                                    | 1   |
| 17                       | 56-60078-01 | Support, Panel                           | 1   |
| 18                       | 79-02298-00 | Frame                                    | 1   |
| 19                       | 12-01039-08 | Switch, Defrost Air                      | 1   |
| 20                       | 86-02901-00 | Support, Channel                         | 1   |
| 21                       | 86-02910-00 | Brace, Support                           | 1   |
| 22                       | 58-60027-00 | Grille                                   | 1   |
| 23                       | 901040      | Indicator, Air Flow                      | 1   |
| 24                       | 62-60008-00 | Decal CARRIER                            | 1   |
| 25                       | 62-60020-00 | Decal, Supra 422                         | 1   |
| 26                       | 76-00496-20 | Kit, Bottom Panel (Optional) – Includes: | 1   |
| 27                       | NSS         | Panel, Bottom                            | 1   |
| 28                       | 68-07238-00 | Panel, Access                            | 1   |
| NS                       | 42-00183-00 | Trim, Flexible                           | A/R |
| NS                       | 42-01163-00 | Gasket                                   | 1   |
| NS                       | 42-01163-01 | Gasket                                   | 1   |
| NS                       | 42-01163-02 | Gasket                                   | 3   |
| NS                       | 42-01163-03 | Gasket                                   | 1   |
| NS                       | 42-01163-04 | Gasket                                   | 1   |
| NS                       | 42-01163-05 | Gasket                                   | 2   |
| 29                       | 79-01444-00 | Cable, Door                              | 1   |
| NS                       | 62-03909-00 | Decal, Initial Service                   | 1   |
| NS                       | 62-60023-00 | Decal, Polarity                          | 1   |
| NS                       | 62-03797-00 | Decal, R-22                              | 1   |
| NS                       | 62-02509-00 | Decal, Warning Fan                       | 3   |
| NS                       | 62-02144-00 | Decal, Danger Belt                       | 1   |
| NS                       | 62-03888-00 | Decal, Rotation                          | 1   |
| NS                       | 62-02140-00 | Decal, Service Action Line               | 1   |
| NS                       | 62-03896-00 | Decal, Warning Door                      | 2   |
| NS                       | 62-03897-00 | Decal, Caution Belt                      | 1   |
| NS                       | 62-03905-00 | Decal, Air flow Indicator – TDS          | 1   |
| NS                       | 62-03906-00 | Decal, Polarity – TDS                    | 1   |
| NS                       | 73-60011-00 | Bumper, Rubber                           | 4   |
| NS                       | 68-07338-00 | Plate, Frame                             | 2   |
| NS                       | 68-07339-00 | Plate, Frame                             | 2   |
| NS                       | 86-02920-00 | Channel                                  | 1   |
| NS                       | 79-02292-00 | Support, Top Grille                      | 1   |
| NS                       | 79-02293-00 | Plate, Grille Support                    | 1   |

# SUPRA 422

## 4. EVAPORATOR

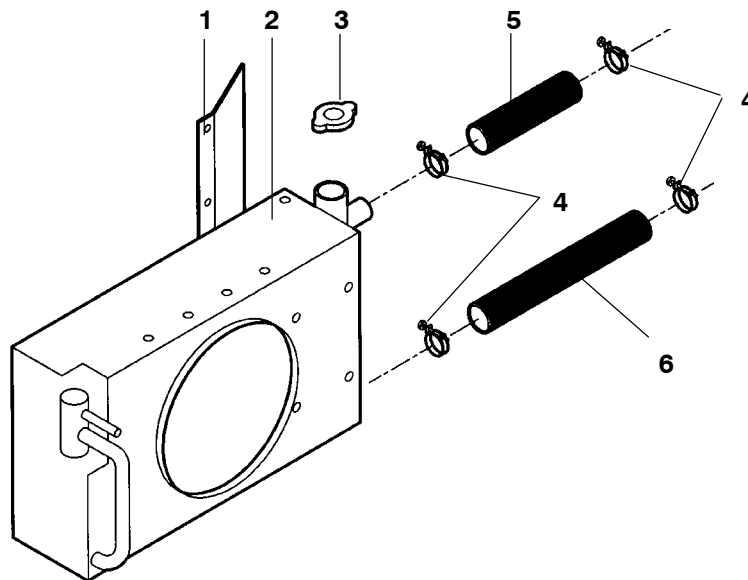




# SUPRA 422

| ITEM                 | PART NO.       | DESCRIPTION                                  | QTY |
|----------------------|----------------|--|-----|
| <b>4. EVAPORATOR</b> |                |  |     |
| 1                    | 79-02300-00    | Evaporator (NSI) – Includes:                 | 1   |
| 2                    | 08-01043-00    | Coil, Evaporator                             | 1   |
| 3                    | 86-02886-00    | Housing, Evaporator (NSI)                    | 1   |
| 4                    | 79-02290-01    | Drain Pan (NSI)                              | 1   |
| 5                    | 81-02508-00    | Tube, Defrost (NSI)                          | 1   |
| NS                   | 58-00836-04    | Spacer                                       | 2   |
| 6                    | 79-02299-00    | Fan Deck (NSI)                               | 1   |
| 7                    | 22-60002-00    | Klixon Wire                                  | 1   |
| 8                    | 22-60010-00    | Sensor ( <b>RAS for Microprocessor</b> )     | 1   |
| 9                    | 22-60009-00    | Sensor ( <b>SAS for Microprocessor</b> )     | 1   |
| 10                   | 58-00793-00    | Fitting, Air Inlet                           | 1   |
| 11                   | 130179         | Fan, Evaporator                              | 2   |
| 12                   | 73-00318-00    | Mount, Motor                                 | 2   |
| NS                   | 34-01249-00    | Spacer                                       | 16  |
| 13                   | 22-60018-00    | Wire Harness, Electric Fan                   | 1   |
| 14                   | 54-60006-03    | Motor, Evaporator Fan – Includes:            | 2   |
| 15                   | 7101824        | Brush  | 2   |
| 16                   | 7101233        | Plug   | 2   |
| 17                   | 68-07142-00    | Bracket                                      | 1   |
| 18                   | 58-00529-00F25 | Hose, Drain                                  | 1   |
| 19                   | 58-01296-00    | Elbow, Male                                  | 2   |
| 20                   | 79-02294-00    | Bracket, TXV                                 | 1   |
| 21                   | 81-02477-00    | Tube Assy, Expansion Valve (NSI) – Includes: | 1   |
| NS                   | 56-03543-00    | Tube   | 1   |
| 22                   | 14-60002-00    | Body, Expansion Valve                        | 1   |
| 23                   | 14-01104-23    | Valve, Expansion                             | 1   |
| 24                   | 58-60036-00    | Bulkhead                                     | 1   |
| NS                   | 81-02500-00    | Tube Assy, Suction                           | 1   |

## 5. CONDENSER/RADIATOR

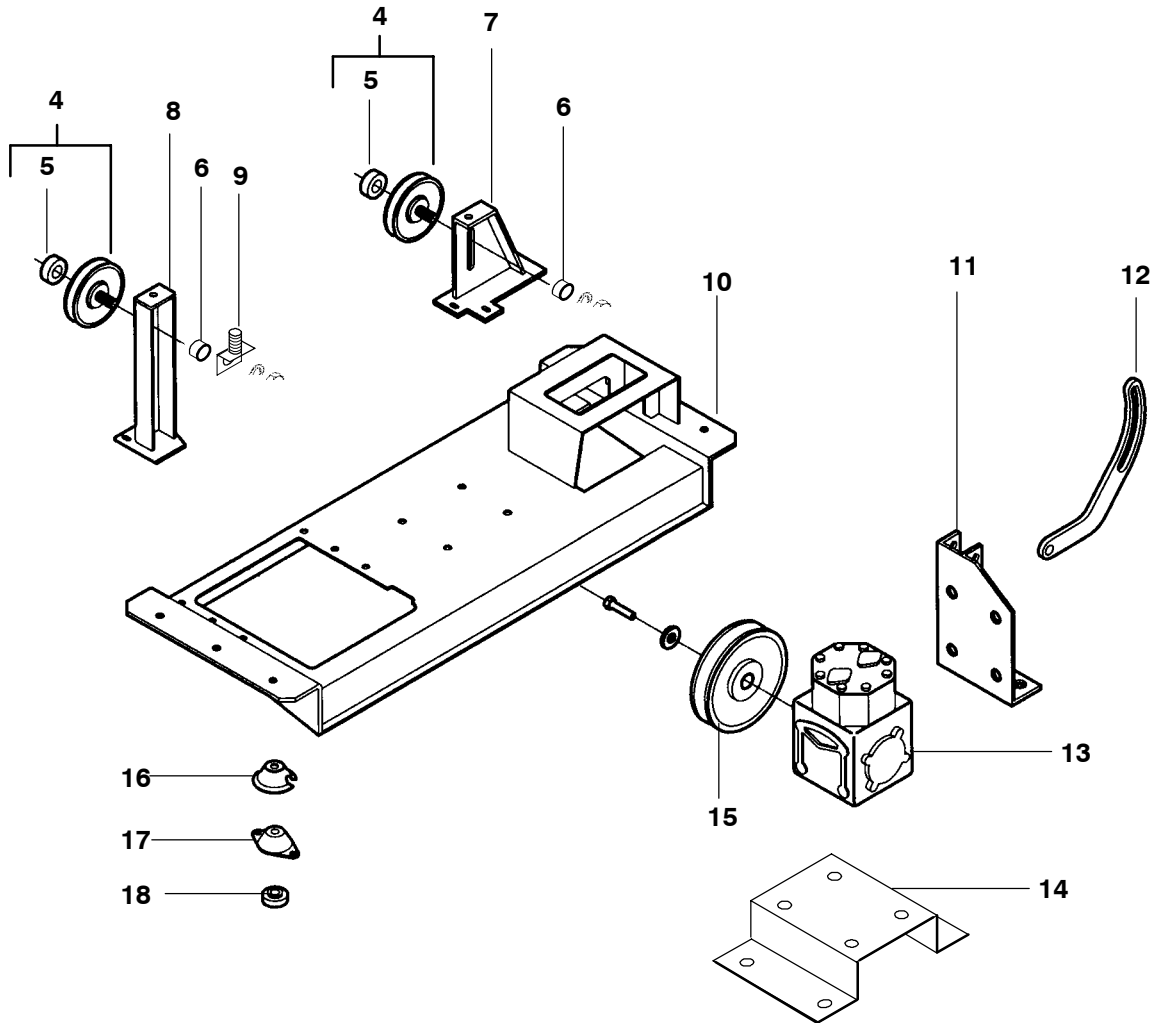
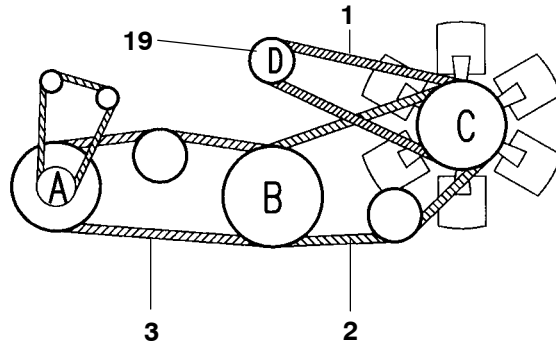


|    |             |                                   |   |
|----|-------------|-----------------------------------|---|
| 1  | 68-07150-00 | Deflector (NSI)                   | 1 |
| 2  | 08-01047-00 | Coil, Condenser/Radiator          | 1 |
| 3  | 30-00397-00 | Cap, Radiator                     | 1 |
| 4  | 44-00045-03 | Clamp, Hose                       | 4 |
| 5  | 58-60039-08 | Hose, Upper Coolant               | 1 |
| 6  | 58-60039-25 | Hose, Lower Coolant               | 1 |
| NS | 68-07214-00 | Bracket, Control Box to Condenser | 1 |

# SUPRA 422

## 6. PLATFORM

- A = ENGINE
- B = COMPRESSOR
- C = ELECTRIC MOTOR
- D = ALTERNATOR

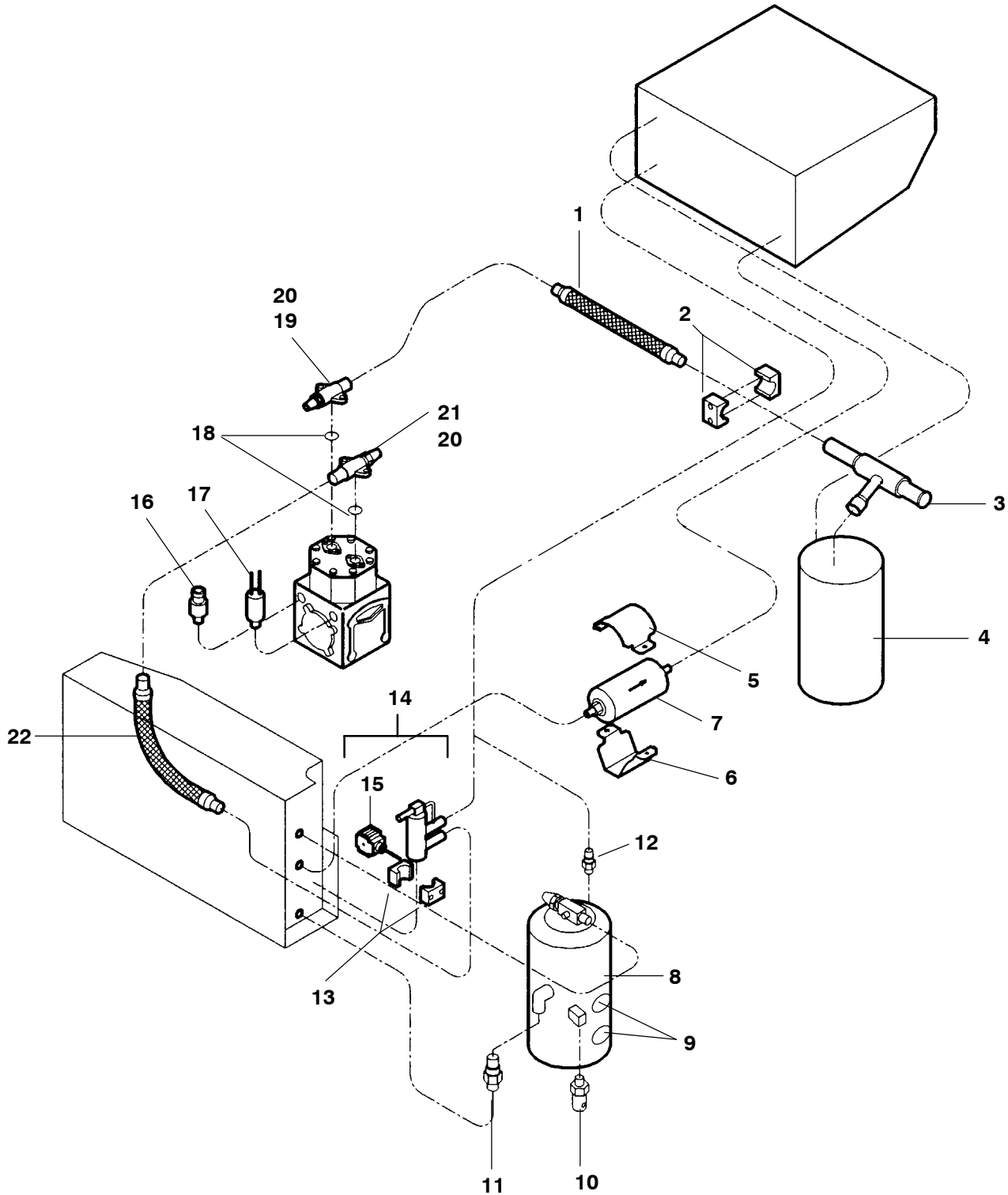


# SUPRA 422

| ITEM               | PART NO.    | DESCRIPTION   | QTY |
|--------------------|-------------|---|-----|
| <b>6. PLATFORM</b> |             |   |     |
| 1                  | 50-00179-03 | V-belt, Alternator  | 1   |
| 2                  | 50-00179-04 | V-belt, Compressor/Standby Motor                                    | 1   |
| 3                  | 50-01145-00 | V-belt, Engine/Compressor   | 1   |
| 4                  | 50-60021-00 | Pulley, Idler – Includes:   | 2   |
| 5                  | 04-00018    | Bearing   | 2   |
| 6                  | 48-01043-00 | Spacer, Idler   | 2   |
| 7                  | 86-02845-00 | Support, Belt Tension   | 1   |
| 8                  | 86-02877-00 | Bracket, Idler  | 1   |
| 9                  | 86-02854-00 | Bracket, Belt Tensioner   | 1   |
| 10                 | 79-02301-00 | Power Tray (NSI)  | 1   |
| 11                 | 86-02897-01 | Support, Alternator Bracket <b>(For Alternator P/N 30-00393-00)</b> | 1   |
| 11                 | 86-02897-03 | Support, Alternator Bracket <b>(For Alternator P/N 30-00409-02)</b> | 1   |
| 12                 | 68-07211-00 | Adjusting Bracket, Alternator                                       | 1   |
| 13                 | 18-60002-01 | Compressor, EF210   | 1   |
| 14                 | 86-02872-00 | Base, Compressor (NSI)  | 1   |
| 15                 | 50-60020-00 | Sheave, Compressor  | 1   |
| 16                 | 021095      | Cover, Shockmount   | 4   |
| 17                 | 16702501    | Shockmount  | 4   |
| 18                 | 73-00096-02 | Shockmount  | 4   |
| 19                 | 30-00409-02 | Alternator – <b>Refer to Section 16.</b>                            | 1   |
| 19                 | 30-00393-00 | Alternator – <b>Refer to Section 15.</b>                            | 1   |
| NS                 | 44-01148-00 | Clamp   | 2   |
| NS                 | 68-07329-00 | Guard, Belt   | 1   |

# SUPRA 422

## 7. REFRIGERATION CIRCUIT

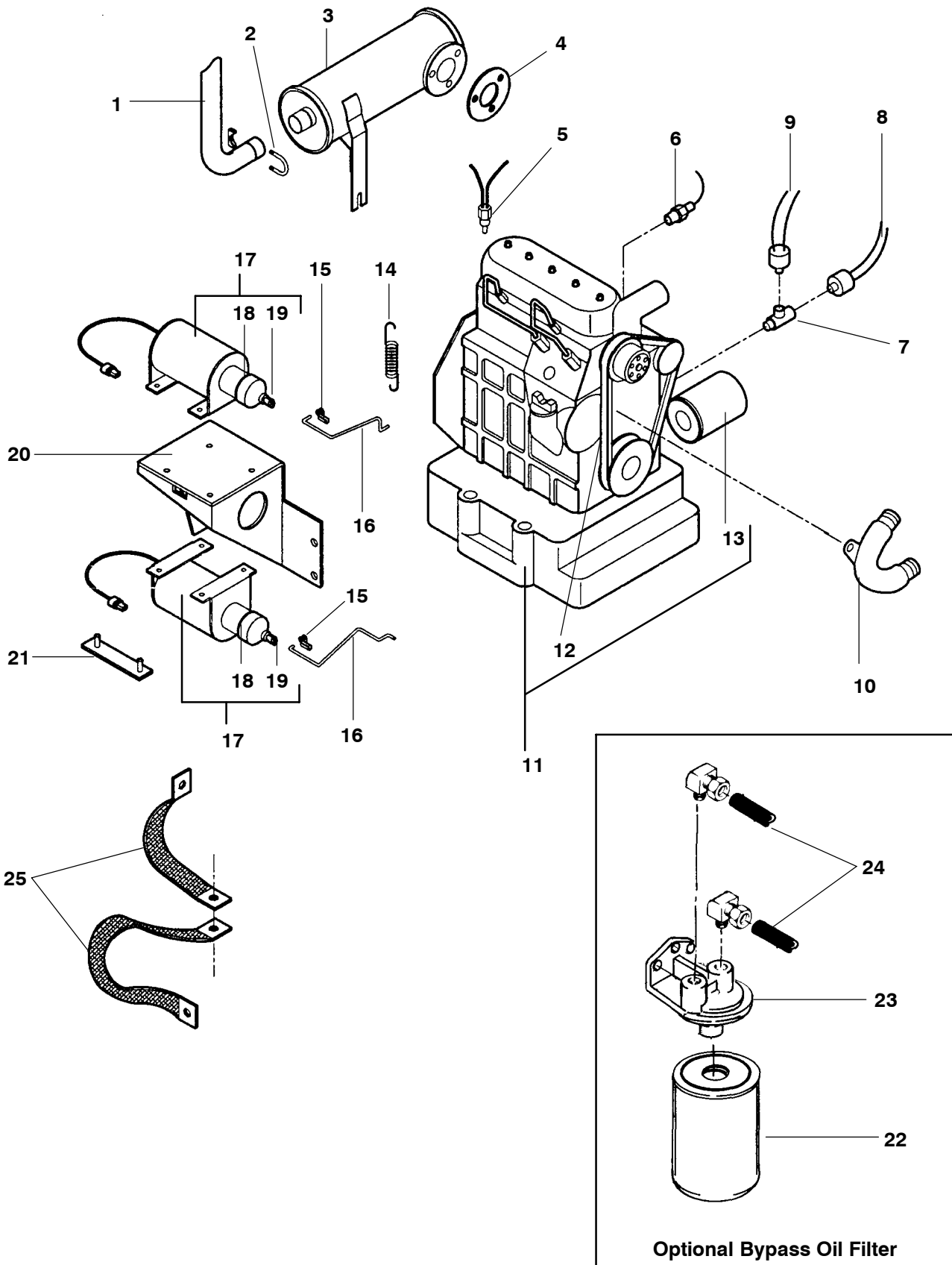


# SUPRA 422

| ITEM                            | PART NO.    | DESCRIPTION   | QTY |
|---------------------------------|-------------|---|-----|
| <b>7. REFRIGERATION CIRCUIT</b> |             |   |     |
| 1                               | 73-60012-00 | Vibrabsorber, Suction   | 1   |
| 2                               | 44-00285-70 | Clamp, Tube   | 1   |
| 3                               | 14-60000-00 | Valve, Pressure Regulator (CPR)                                   | 1   |
| NS                              | 68-07279-00 | Bracket (CPR)   | 1   |
| 4                               | 65-01070-00 | Accumulator   | 1   |
| NS                              | 42-01155-01 | Insulation, Accumulator   | 1   |
| 5                               | 68-07055-00 | Bracket, Drier Top  | 1   |
| 6                               | 79-02291-00 | Bracket, Drier Bottom   | 1   |
| 7                               | 14-01063-03 | Filter Drier  | 1   |
| 8                               | 65-01066-00 | Receiver – Includes:  | 1   |
| 9                               | 14-50023-00 | Sight Glass (Prism Style)   | 2   |
| 10                              | 14-01109-00 | Valve, Relief   | 1   |
| 11                              | 14-00181-02 | Check Valve 3/8   | 1   |
| 12                              | 140237      | Check Valve 1/4   | 1   |
| 13                              | 44-01146-00 | Clamp 1 – 1/4   | 1   |
| 14                              | 14-01120-23 | Valve, 3 Way – Includes:  | 1   |
| 15                              | 14-01120-21 | Coil  | 1   |
| NS                              | 68-07261-00 | Bracket, 3 Way Valve  | 1   |
| 16                              | 12-00283-00 | Transducer, Suction Pressure (SPT) <b>(Micro)</b>                 | 1   |
| NS                              | 12-00284-00 | Thermistor, Compressor Discharge Temperature (CDT) <b>(Micro)</b> | 1   |
| 17                              | 12-00309-01 | Switch, Pressure  | 1   |
| 18                              | 42-01159-00 | O-Ring  | 2   |
| 19                              | 81-02475-00 | Valve Assy, Suction (NSI) – Includes:                             | 1   |
| 20                              | 17-21002-00 | Valve, Service  | 1   |
| NS                              | 56-03614-00 | Tube (NSI)  | 1   |
| 21                              | 81-02511-00 | Valve Assy, Discharge (NSI) <b>(Micro)</b> – Includes:            | 1   |
| 20                              | 17-21002-00 | Valve, Service  | 1   |
| 22                              | 73-60013-00 | Vibrabsorber, Discharge   | 1   |
| NS                              | 56-03625-00 | Tube (NSI)  | 1   |
| 21                              | 81-02511-01 | Valve Assy, Discharge (NSI) <b>(Solid State)</b> – Includes:      | 1   |
| 20                              | 17-21002-00 | Valve, Service  | 1   |
| 22                              | 73-60013-00 | Vibrabsorber, Discharge   | 1   |
| NS                              | 56-03625-01 | Tube (NSI)  | 1   |
| NS                              | 17-21002-01 | Cap, Seal   | 1   |
| NS                              | 17-21002-02 | Gasket  | 4   |

# SUPRA 422

## 8. ENGINE



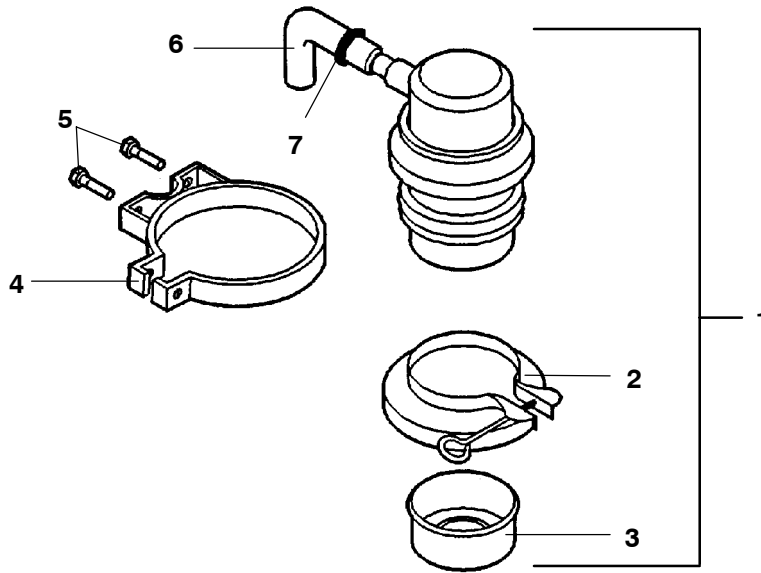
# SUPRA 422

| ITEM             | PART NO.       | DESCRIPTION   | QTY |
|------------------|----------------|---|-----|
| <b>8. ENGINE</b> |                |   |     |
| 1                | 30-60018-00    | Pipe, Exhaust   | 1   |
| 2                | 167366         | Clamp, Exhaust  | 1   |
| 3                | 30-01087-00    | Muffler   | 1   |
| 4                | 944359         | Gasket, Muffler   | 1   |
| 5                | 12-01145-00    | Thermistor, Water Safety <b>(Micro)</b>                     | 1   |
| 6                | 12-60000-00    | Switch, Water Safety <b>(Solid State)</b>                   | 1   |
| 7                | 40-60000-00    | Tee, Street   | 1   |
| 8                | 12-00310-00    | Switch, Oil Pressure (OP)                                   | 1   |
| 9                | 22-60006-00    | Switch, Oil Pressure <b>(Solid State)</b>                   | 1   |
| 10               | 56-60020-00    | Tube, Water   | 1   |
| 11               | 26-60001-00    | Engine, CT2-29TV (Refer to Parts List 62-02782) – Includes: | 1   |
| 12               | 25-34856-00    | Belt  | 1   |
| 13               | 25-34602-00    | Filter, Oil   | 1   |
| 14               | 73-60005-00    | Spring  | 1   |
| 15               | 44-01049-01    | Clip ,Retaining   | 2   |
| 16               | 73-00323-00    | Rod ,Linkage  | 2   |
| 17               | 10-01095       | Solenoid – Includes:  | 2   |
| 18               | 58-50006       | Boot, Solenoid  | 2   |
| 19               | 34-50009-01    | Plunger Assy  | 2   |
| 20               | 79-02296-00    | Bracket, Solenoid   | 1   |
| NS               | 68-07311-00    | Bracket, Solenoid (Stop Control)                            | 1   |
| 21               | 86-60020-00    | Plate, Nut  | 2   |
| 22               | 30-00304-00    | Filter, Oil (Bypass)  | 1   |
| 23               | 30-00325-00    | Head (Bypass)   | 1   |
| 24               | 58-00580-00F50 | Tube, .375 OD (50 ft cut to length)                         | A/R |
| 25               | 22-01528-00    | Ground Strap  | 2   |
| NS               | 40-00342-02    | Elbow, Male   | 2   |
| NS               | 40-00342-03    | Elbow, Male   | 2   |
| NS               | 22-60000-00    | Diode <b>(Solid State)</b>                                  | 1   |
| NS               | 34-01249-23    | Spacer, Engine Mounting                                     | 16  |

# SUPRA 422

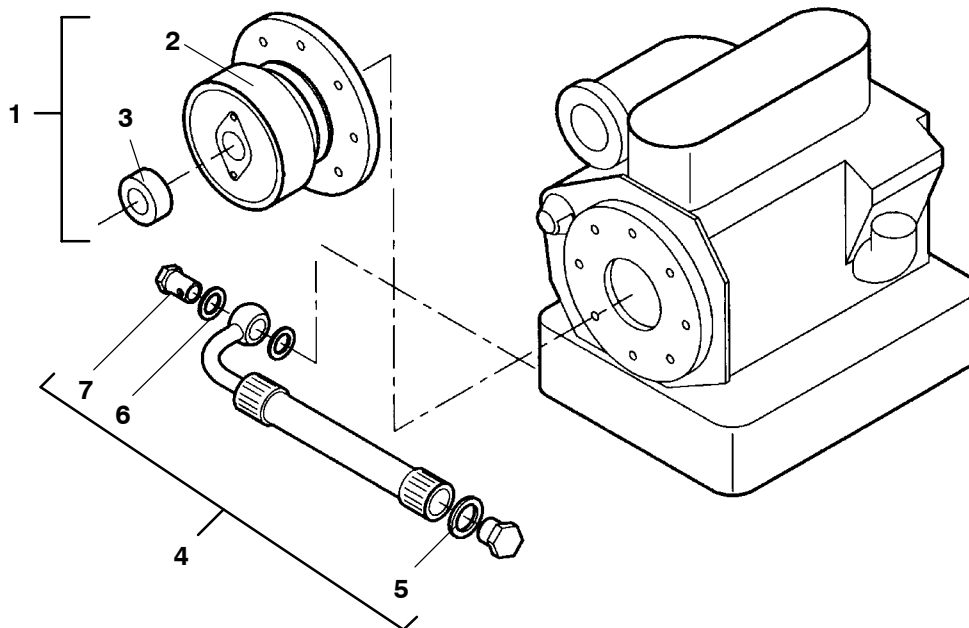
| ITEM | PART NO. | DESCRIPTION | QTY |
|------|----------|-------------|-----|
|------|----------|-------------|-----|

## 9. AIR CLEANER



|   |             |                               |   |
|---|-------------|-------------------------------|---|
| 1 | 30-01030-01 | Air Cleaner – Includes:       | 1 |
| 2 | 30-01030-20 | Clamp                         | 1 |
| 3 | 30-01030-21 | Oil Cup                       | 1 |
| 4 | 30-01033    | Bracket, Air Cleaner Mounting | 1 |
| 5 | 34-00300-06 | Screw 14 - 20 x 3/4 lg        | 2 |
| 6 | 58-01311-00 | Hose, Air Inlet               | 1 |
| 7 | 44-00045-03 | Clamp, Hose                   | 2 |

## 10. CLUTCH AND OIL DRAIN SET



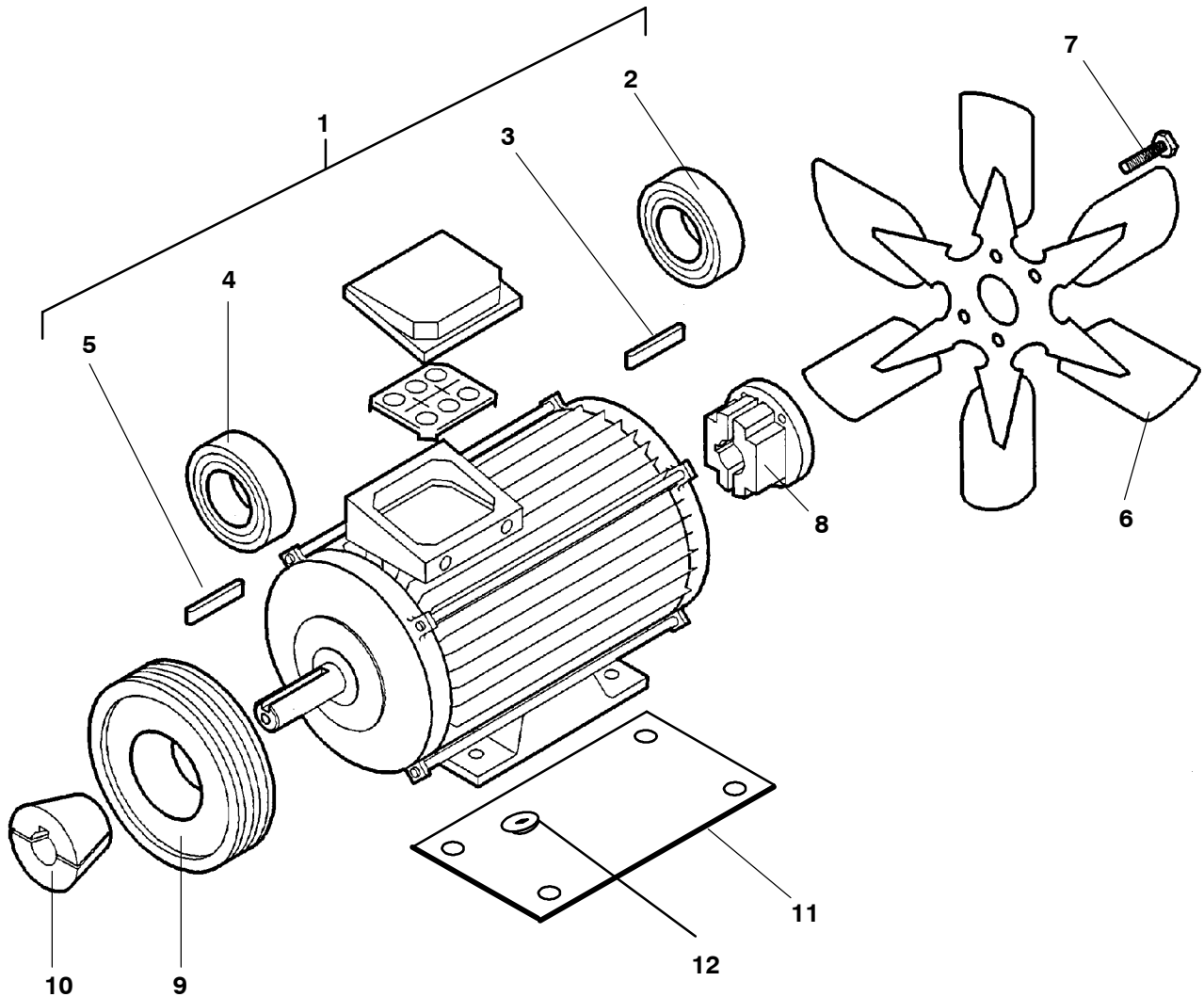
|   |             |                           |   |
|---|-------------|---------------------------|---|
| 1 | 50-60029-00 | Clutch – Includes:        | 1 |
| 2 | 50-60041-00 | Rotor                     | 1 |
| 3 | 50-50050-03 | Bearing                   | 1 |
| 4 | 151095      | Oil Drain Set – Includes: | 1 |
| 5 | 7102831     | Gasket                    | 2 |
| 6 | 7104162     | Gasket                    | 2 |
| 7 | 7104005     | Bolt, Banjo               | 1 |



# SUPRA 422

| ITEM | PART NO. | DESCRIPTION | QTY |
|------|----------|-------------|-----|
|------|----------|-------------|-----|

## 11. STANDBY MOTOR

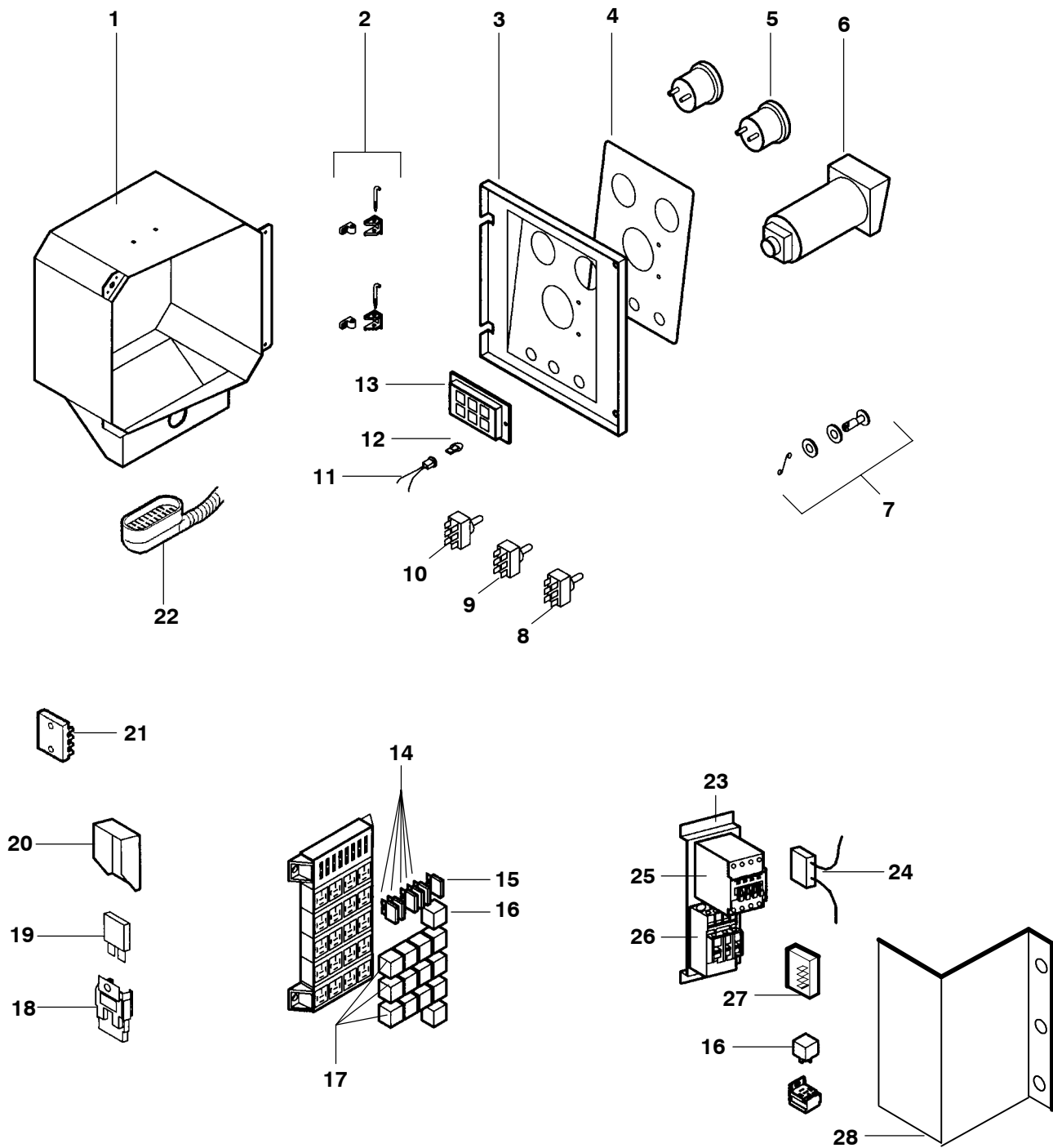


|    |             |   |        |
|----|-------------|---|--------|
| 1  | 54-00139-00 | Shell, Standby Motor (Shell Only – Non–Standby Units – TDB) | 1      |
| 1  | 54-00142-01 | Motor, Standby (Prior To S/N DFZ0290524), – Includes:       | 1      |
| 1  | 54-60012-00 | Motor, Standby (Starting With S/N DFZ0290524), – Includes:  | 1      |
| 2  | 04-60008-29 | Bearing   | 1      |
| 3  | 34-60022-01 | Key   | 1      |
| 4  | 05-60008-32 | Bearing (54–00139–00 Shell Uses This Bearing At Both Ends)  | 1 or 2 |
| 5  | 34-60022-00 | Key   | 1      |
| 6  | 38-00156-00 | Fan   | 1      |
| 7  | 25-35384-00 | Screw (P05)   | 4      |
| 8  | 48-60001-00 | Bushing   | 1      |
| 9  | 50-00192-02 | Sheave  | 1      |
| 10 | 04-00122-60 | Bushing, Split Taper  | 1      |
| 11 | 68-07326-00 | Plate, Standby Adaptor (Prior to S/N DFZ029524)             | 1      |
| 12 | 34-01249-21 | Spacer, Mounting  | 8      |

**NOTE:** The 68-07326-00 adaptor (Item 11) is not used in units after S/N DFZ0290524 but may be used to allow mounting the 54-00142-01 motor in units built after that S/N **OR** for mounting the 54-60012-00 motor or 54-00139-00 shell in units built before that S/N. The adaptor plate has bolt patterns for both motors or the shell.

# SUPRA 422

## 12. CONTROL PANEL WITH ANALOG CONTROLLER

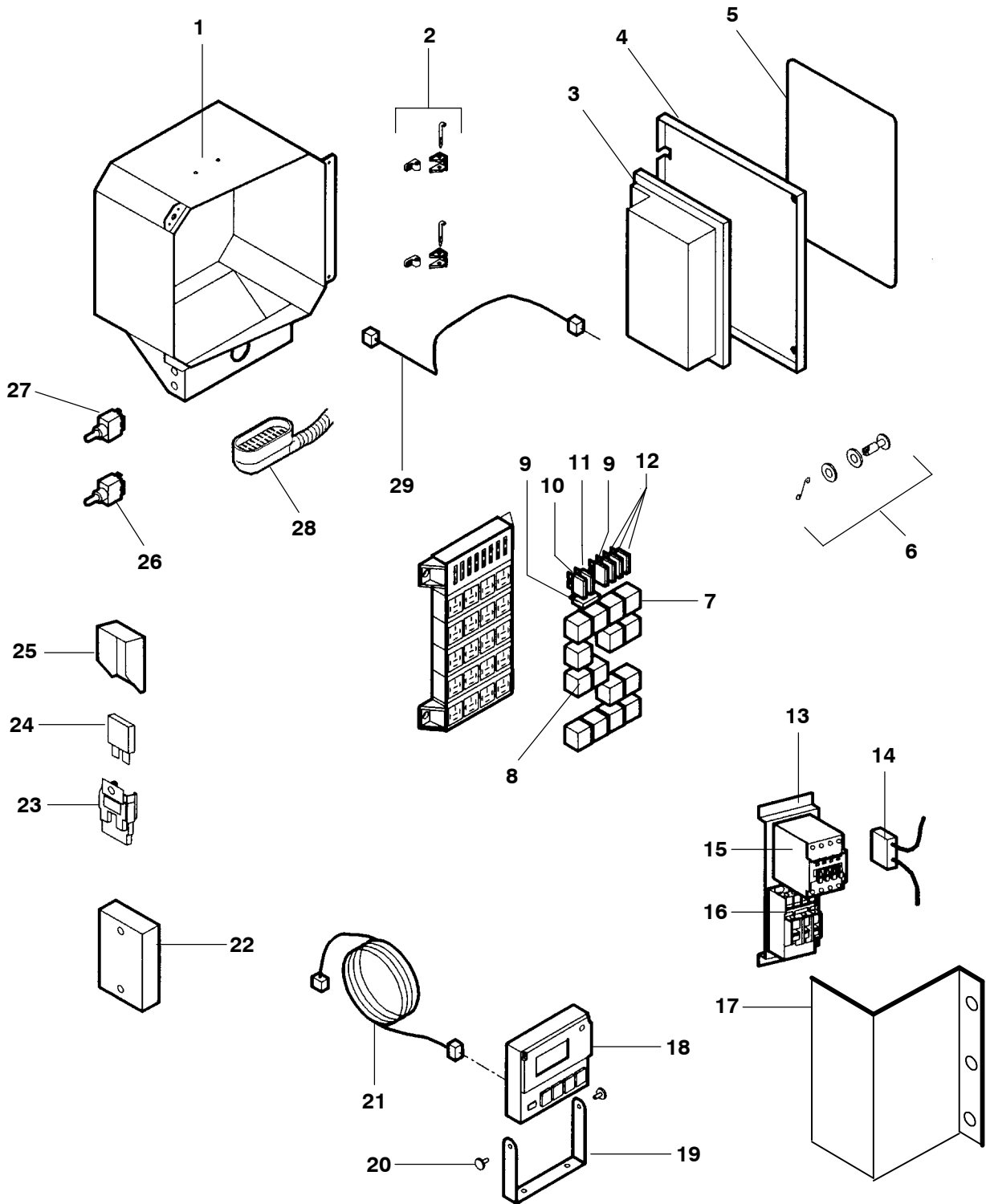


# SUPRA 422

| ITEM  | PART NO.    | DESCRIPTION                    | QTY |
|---|-------------|--------------------------------|-----|
| <b>12. CONTROL PANEL WITH ANALOG CONTROLLER</b> |             |                                |     |
| 1   | 86-60011-00 | Box (NSI)                      | 1   |
| 2   | 7103431     | Hinge                          | 2   |
| 3   | 86-60012-00 | Door                           | 1   |
| 4   | 62-60002-00 | Decal                          | 1   |
| 5   | 10-01165-00 | Hourmeter                      | 2   |
| 6   | 7103095     | Thermostat <b>(Fahrenheit)</b> | 1   |
| 6   | 12-60001-00 | Thermostat <b>(Celsius)</b>    | 1   |
| 7   | 167165      | Latch, Door                    | 2   |
| 8   | 10-01164-08 | Switch (GDS)                   | 1   |
| 9   | 10-01164-04 | Switch (SRS)                   | 1   |
| 10  | 10-01164-06 | Switch (SSW)                   | 1   |
| 11  | 22-01468-20 | Holder, Lamp                   | 1   |
| 12  | 22-01467-00 | Lamp                           | 3   |
| 13  | 58-00851-00 | Housing, Lamp                  | 1   |
| 14  | 22-02336-01 | Fuse 20 Amp.                   | 5   |
| 15  | 22-02336-06 | Fuse 15 Amp.                   | 2   |
| 16  | 10-00286-02 | Relay (NO/40amp, NC/30amp)     | 9   |
| 17  | 10-60000-00 | Diode block                    | 3   |
| 18  | 7102235     | Fuse Holder                    | 1   |
| 19  | 22-02336-09 | Fuse 80 Amp.                   | 1   |
| 20  | 7102565     | Protecting Cover               | 1   |
| 21  | 13344301    | Defrost Timer (Optional)       | 1   |
| 22  | 22-02637-00 | Harness <b>(Unit)</b>          | 1   |
| 22  | 22-02654-00 | Harness <b>(Engine)</b>        | 1   |
| 23  | 68-60024-00 | Bracket, Standby Panel         | 1   |
| 24  | 22-01030-63 | Diode, 6 amp                   | 1   |
| 25  | 13690401    | Contactactor                   | 1   |
| 26  | 133495      | Relay, Overload                | 1   |
| 27  | 12-01139-00 | Delay Timer (5 minutes)        | 1   |
| NS  | 10-00278-00 | Delay Timer (5 to 35 sec.)     | 1   |
| 28  | 58-60010-00 | Cover, Standby Panel           | 1   |

# SUPRA 422

## 13. CONTROL PANEL WITH MICROPROCESSOR CONTROLLER

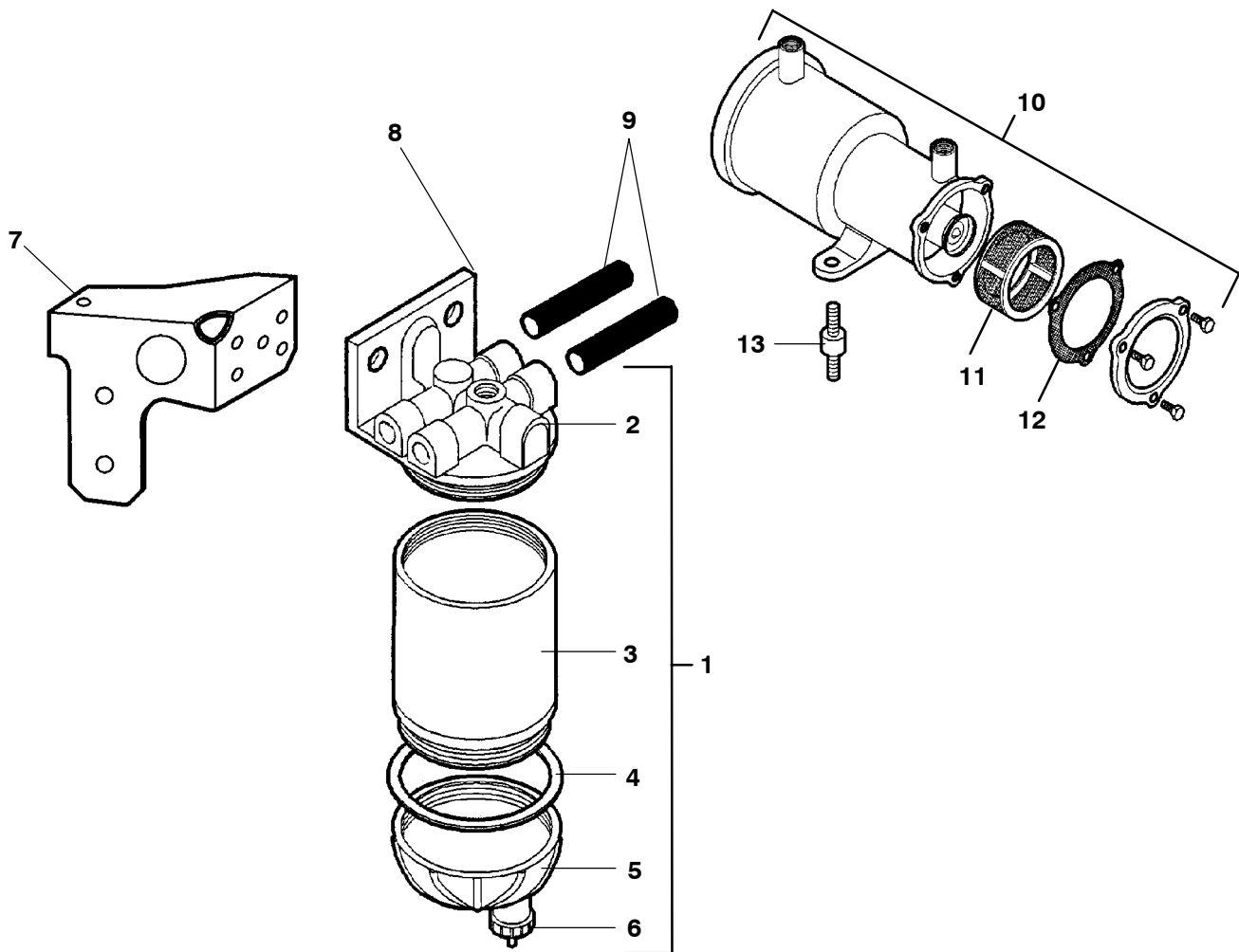


# SUPRA 422

| ITEM  | PART NO.    | DESCRIPTION                | QTY |
|---|-------------|----------------------------|-----|
| <b>13. CONTROL PANEL WITH MICROPROCESSOR CONTROLLER</b> |             |                            |     |
| 1   | 86-60011-00 | Box (NSI)                  | 1   |
| 2   | 7103431     | Hinge                      | 2   |
| 3   | 91-00281-47 | Micro Board                | 1   |
| 4   | 86-60013-00 | Door                       | 1   |
| 5   | 62-60009-00 | Decal                      | 1   |
| 6   | 167165      | Latch, Door                | 2   |
| 7   | 10-00286-04 | Relay (NO/60amp, NC/40amp) | 12  |
| 8   | 10-00319-00 | Diode block                | 3   |
| 9   | 22-02336-02 | Fuse 5 Amp.                | 3   |
| 10  | 22-02336-05 | Fuse 25 Amp.               | 2   |
| 11  | 22-02336-06 | Fuse 15 Amp.               | 2   |
| 12  | 22-02336-01 | Fuse 20 Amp.               | 5   |
| 13  | 68-60024-00 | Bracket, Standby Panel     | 1   |
| 14  | 22-01030-63 | Diode, 6 amp               | 1   |
| 15  | 13690401    | Contacto                   | 1   |
| 16  | 133495      | Relay, Overload            | 1   |
| 17  | 58-60010-00 | Cover, Standby Panel       | 1   |
| 18  | 12-00325-00 | Control, Cab Command       | 1   |
| 19  | 68-60059-00 | Bracket, Cab Command       | 1   |
| 20  | 34-60005-00 | Screw, Thumb (M6)          | 2   |
| 21  | 22-60013-00 | Harness Cab Command        | 1   |
| 22  | 12-60003-00 | Detector, Phase            | 1   |
| 23  | 7102235     | Fuse Holder                | 1   |
| 24  | 22-02336-09 | Fuse 80 Amp.               | 1   |
| 25  | 7102565     | Protecting Cover           | 1   |
| 26  | 10-01164-10 | Switch (MGC)               | 1   |
| 27  | 10-01164-02 | Switch (RS)                | 1   |
| 28  | 22-02637-00 | Harness <b>(Unit)</b>      | 1   |
| 28  | 22-02654-00 | Harness <b>(Engine)</b>    | 1   |
| 29  | 22-02624-00 | Cable Micro                | 1   |

# SUPRA 422

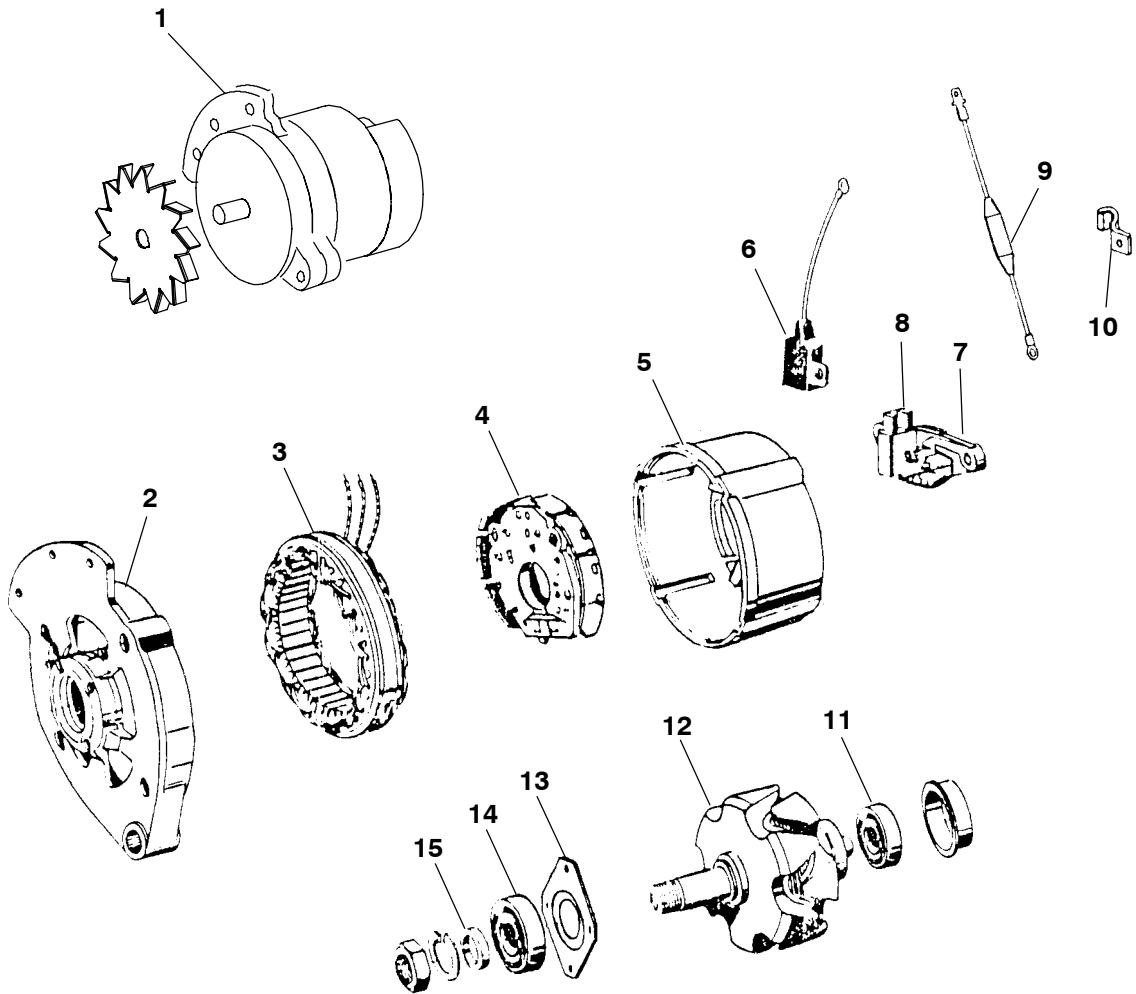
| ITEM                            | PART NO.       | DESCRIPTION   | QTY |
|---------------------------------|----------------|---|-----|
| <b>14. FUEL PUMP AND FILTER</b> |                |   |     |
| 1                               | 30-01091-00    | Filter Assembly, Fuel – <b>Without Heater</b> (NSI) – Includes: | 1   |
| 1                               | 30-01089-01    | Filter Assembly, Fuel – <b>With Heater</b> (NSI) – Includes:    | 1   |
| 2                               | 30-00405-02    | Head, Fuel – Includes:  | 1   |
| NS                              | 30-01088-30    | Nipple, Filter  | 1   |
| NS                              | 30-01088-37    | Fitting, Oriface (Fuel Bleed)                                   | 1   |
| 3                               | 30-01079-01    | Filter, Fuel ( <b>Bowl Required</b> )                           | 1   |
| 3                               | 30-01090-00    | Filter, Fuel ( <b>Bowl Not Required</b> )                       | 1   |
| 4                               | 30-01089-27    | Gasket, Bowl  | 1   |
| 5                               | 30-01088-33    | Bowl, Fuel – <b>Without Heater</b>                              | 1   |
| 5                               | 30-01088-35    | Bowl, Fuel – <b>With Heater</b> – Includes:                     | 1   |
| NS                              | NSS            | Heater  | 1   |
| NS                              | 30-01078-08    | O-Ring, Heater  | 1   |
| 6                               | 30-01078-03    | Plug, Drain   | 1   |
| 7                               | 79-02295-00    | Bracket, Fuel Filter  | 1   |
| 8                               | 58-00659-00F25 | Tube, Nylon 3/16 ID (25ft to be cut to length)                  | A/R |
| 9                               | 58-01251-00F25 | Tube, Nylon 5/16 ID (25ft to be cut to length)                  | A/R |
| 10                              | 30-01080-00SV  | Fuel pump – Includes:   | 1   |
| 11                              | 30-01044-20    | Filter  | 1   |
| 12                              | 30-01044-21    | Gasket  | 1   |
| 13                              | 7101287        | Shockmount  | 2   |
| NS                              | 58-60017-00    | Connector   | 2   |
| NS                              | 44-00045-25    | Clamp, Hose   | 2   |
| NS                              | 40-01170-01    | Fitting   | 1   |
| NS                              | 40-01170-00    | Fitting   | 1   |



# SUPRA 422

| ITEM | PART NO. | DESCRIPTION | QTY |
|------|----------|-------------|-----|
|------|----------|-------------|-----|

## 15. ALTERNATOR (P/N 30-00393)

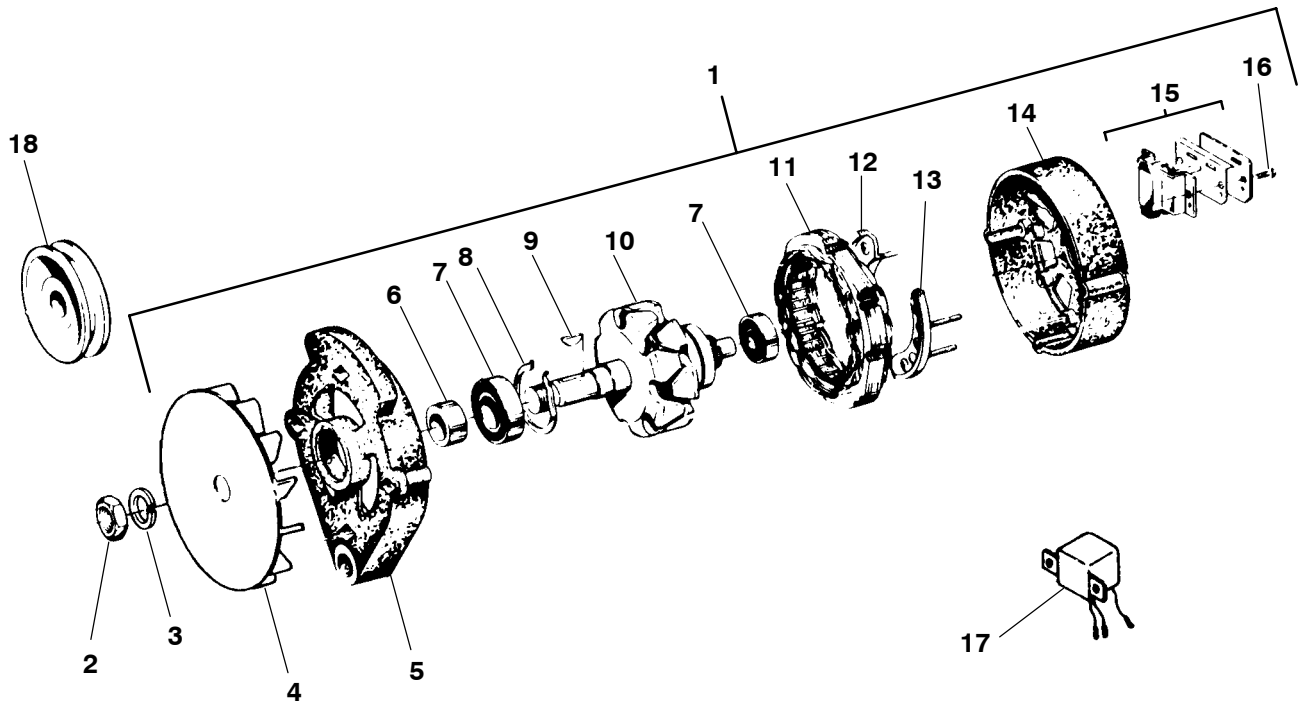


|    |             |   |   |
|----|-------------|---|---|
| 1  | 30-00393-00 | Alternator Assembly (65 Amp.) - Includes: | 1 |
| 2  | 30-00393-20 | Housing, Front (NSI)                      | 1 |
| 3  | 30-00393-32 | Stator Assembly (NSI)                     | 1 |
| 4  | 30-00393-28 | Rectifier <b>(Positive)</b>               | 1 |
| 4  | 30-01037-22 | Rectifier <b>(Negative)</b>               | 1 |
| 5  | 30-00393-27 | Housing, Rear (NSI)                       | 1 |
| 6  | 30-00393-36 | Capacitor                                 | 1 |
| 7  | 30-00393-30 | Regulator and Brush Assembly - Includes : | 1 |
| 8  | NSS         | Brush Assembly                            | 2 |
| 9  | 30-00393-35 | Resistor, Assembly                        | 1 |
| 10 | 30-00393-37 | Clip (NSI)                                | 1 |
| 11 | 30-00393-26 | Bearing, Rear                             | 1 |
| 12 | 30-00393-24 | Rotor Assembly                            | 1 |
| 13 | 30-00393-22 | Plate, Support (NSI)                      | 1 |
| 14 | 30-00393-21 | Bearing, Front                            | 1 |
| 15 | 30-00393-25 | Spacer                                    | 1 |

# SUPRA 422

| ITEM | PART NO. | DESCRIPTION | QTY |
|------|----------|-------------|-----|
|------|----------|-------------|-----|

## 16. ALTERNATOR (P/N 30-00409)



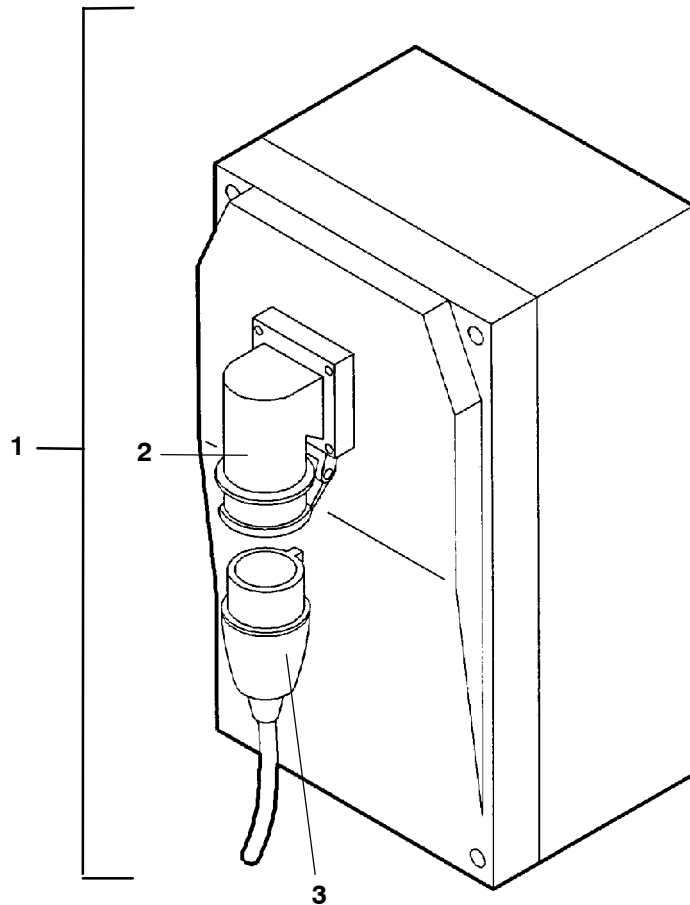
|    |              |  |   |
|----|--------------|--|---|
| 1  | 30-00409-02  | Alternator Assembly (65 amp) – Includes: | 1 |
| 2  | 30-00171-13  | Nut, Pulley                              | 1 |
| 3  | PL           | Washer, Spring Lock (5/8)                | 1 |
| 4  | 30-00306-14  | Fan, CCW Rotation                        | 1 |
| 5  | 30-00409-20  | Front Frame (NSI)                        | 1 |
| 6  | 30-00363-15  | Spacer, Fan                              | 1 |
| 7  | 30-00171-17  | Bearing, Front and Rear                  | 2 |
| 8  | 30-00171-18  | Retainer Clip                            | 1 |
| 9  | 30-00171-31  | Key, Woodruff                            | 1 |
| 10 | 30-00409-41  | Rotor (NSI)                              | 1 |
| 11 | 30-00409-42  | Stator (NSI)                             | 1 |
| 12 | 30-01037-22  | Rectifier, Negative                      | 1 |
| 13 | 30-00409-37  | Rectifier, Positive                      | 1 |
| 14 | 30-00409-36  | End Frame (NSI)                          | 2 |
| 15 | 30-00409-30  | Brushes                                  | 1 |
| 16 | 30-00409-35  | Screw, Brush Holder                      | 2 |
| 17 | 30-00409-29  | Regulator                                | 1 |
| NS | 66U1-2233-33 | Gasket, Regulator                        | 1 |
| 18 | 50-01127-03  | Pulley                                   | 1 |
| NS | 30-00409-33  | Screw, Regulator (NSI)                   | 2 |
| NS | 30-00409-32  | Screw, Through Bolt (NSI)                | 2 |



# SUPRA 422

| ITEM | PART NO. | DESCRIPTION | QTY |
|------|----------|-------------|-----|
|------|----------|-------------|-----|

17. BOX STANDBY

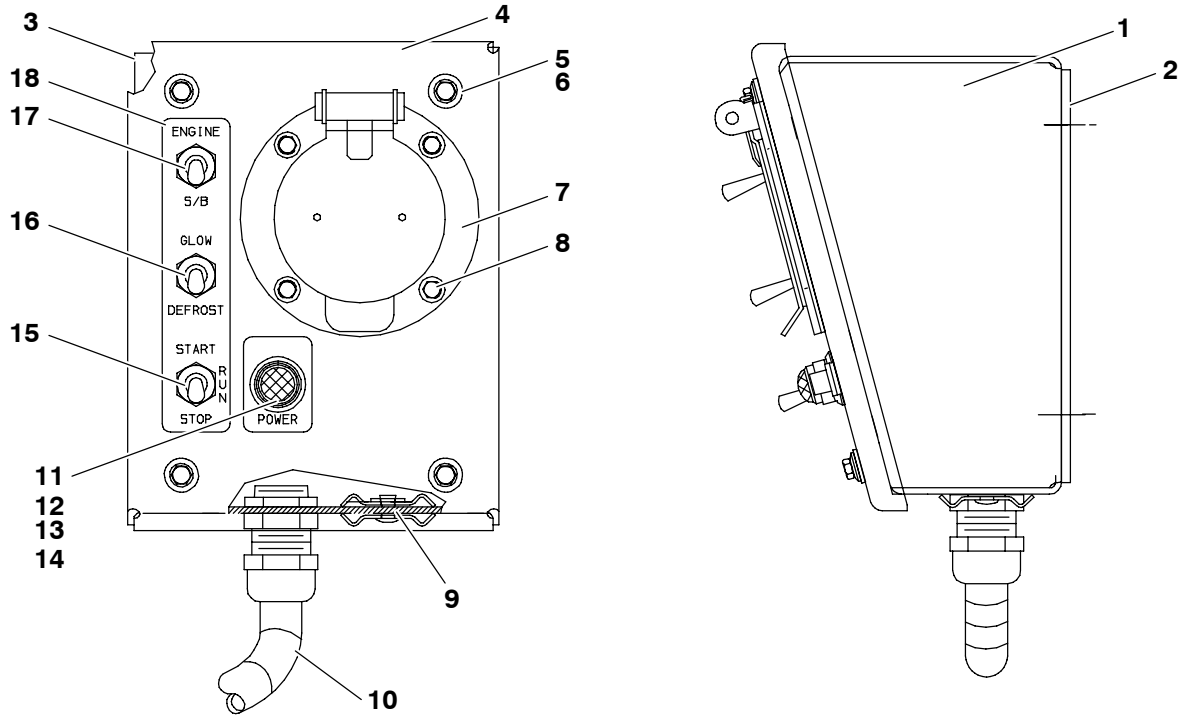


|   |             |                               |   |
|---|-------------|-------------------------------|---|
| 1 | 91-60005-00 | Box Standby Assy – Includes:  | 1 |
| 2 | 22-01512-00 | Receptacle 380/460/3/50/60 Hz | 1 |
| 3 | 22-01513-00 | Plug 380/460/3/50/60 Hz       | 1 |

# SUPRA 422

| ITEM | PART NO. | DESCRIPTION | QTY |
|------|----------|-------------|-----|
|------|----------|-------------|-----|

## 18. REMOTE SWITCH BOX



|    |             |   |   |
|----|-------------|---|---|
| 1  | 86-02882-00 | Box Assembly (NSI)                            | 1 |
| 2  | 42-01162-00 | Gasket  | 1 |
| 3  | 42-01157-00 | Gasket, Door                                  | 1 |
| 4  | 68-07174-02 | Door - <b>230/440V</b> (NSI)                  | 1 |
| 4  | 68-07174-03 | Door - <b>230/440V with Switches</b> (NSI)    | 1 |
| 4  | 68-07174-04 | Door - <b>380V</b> (NSI)                      | 1 |
| 4  | 68-07174-05 | Door - <b>380V with Switches</b> (NSI)        | 1 |
| 4  | 68-07174-06 | Door - <b>TDB</b> (NSI)                       | 1 |
| 5  | 34-00917-12 | Screw, Mach Hex Head                          | 4 |
| 6  | 58-00511-08 | Washer, Flat                                  | 4 |
| 7  | 22-01132-04 | Connector Assy - <b>1ph</b>                   | 1 |
| 7  | 22-01132-03 | Connector Assy - <b>250v 3ph</b>              | 1 |
| 7  | 22-01512-00 | Connector Assy - <b>380v 3ph</b>              | 1 |
| 7  | 22-01132-01 | Connector Assy - <b>480v 3ph</b> (NSI)        | 1 |
| 8  | 34-00996-08 | Screw, Mach Hex Head                          | 4 |
| 9  | 58-00660-00 | Washer, Plastic Drain                         | 2 |
| 10 | 22-02584-00 | Wire Harness - <b>1ph</b> (NSI)               | 1 |
| 10 | 22-02584-01 | Wire Harness - <b>1ph with Switches</b> (NSI) | 1 |
| 10 | 22-02564-00 | Wire Harness - <b>3ph</b> (NSI)               | 1 |
| 10 | 22-02564-01 | Wire Harness - <b>3ph with Switches</b> (NSI) | 1 |
| 10 | 22-02623-00 | Wire Harness - <b>TDB</b> (NSI)               | 1 |
| 11 | 22-00049-00 | Lamp  | 1 |
| 12 | 22-00518-01 | Base  | 1 |
| 13 | 22-00519-04 | Jewel Assy                                    | 1 |
| 14 | 62-03911-01 | Decal (NSI)                                   | 1 |
| 15 | 10-01164-04 | Switch, Toggle                                | 1 |
| 16 | 10-01164-08 | Switch, Toggle                                | 1 |
| 17 | 10-01164-06 | Switch, Toggle                                | 1 |
| 18 | 62-03910-00 | Decal, Switch (NSI)                           | 1 |

OPTIONAL