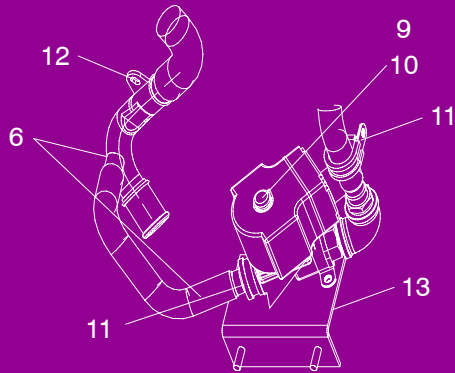




Truck Refrigeration



Service Parts List for **Supra 844** **Truck Refrigeration Units**



TRANSICOLD

SERVICE PARTS LIST
FOR
Supra 844
TRUCK REFRIGERATION UNITS

TABLE OF CONTENTS

| PARAGRAPH NUMBER | Page |
|--|-------------|
| INTRODUCTION | iii |
| MODEL CHART | iii |
| ORDERING INSTRUCTIONS | iii |
| GENERAL NOTES | iii |
| 1 QUICK LIST | 1 |
| 1.1 Quick List - Filters | 1 |
| 1.2 Quick List - Fuses | 1 |
| 1.3 Quick List - Belts | 1 |
| 1.4 Quick List - Clamps, Tube | 1 |
| 2 FIELD INSTALLED OPTIONS | 2 |
| 3 CONDENSER AND AIR CLEANER | 3 |
| 4 FRAME/SKINS - STANDARD AND LOW NOISE | 4 |
| 5 EVAPORATOR | 6 |
| 6 ADDITIONAL HEAT OPTIONS | 8 |
| 7 REFRIGERATION CIRCUIT | 10 |
| 8 POWER TRAY | 12 |
| 9 ENGINE AND CLUTCH | 14 |
| 10 BYPASS OIL FILTER KIT | 16 |
| 11 BELTS AND ALTERNATOR | 18 |
| 12 FUEL PUMP AND FILTER | 20 |
| 13 MICROPROCESSOR CONTROL BOX | 22 |
| 14 LOGIC BOARD | 24 |
| 15 ELECTRIC AND WATER HEAT OPTION AND STANDBY PANEL ASSEMBLIES | 26 |
| 16 RECEPTACLE BOX | 28 |
| 17 HARNESS | 30 |
| 18 DECALS | 32 |
| PART NUMBER INDEX | Index-1 |

INTRODUCTION

This parts list identifies service replacement parts for the Carrier Transicold Supra 844 Refrigeration Units. This model is designed for medium temperature cooling, heating and defrost for truck applications.

MODEL CHART

| Unit | | | Engine | | Compressor |
|------------|------------------|-------------|-----------|-------------|------------------|
| Model No. | Description | Refrigerant | Model No. | Engine P/N | Model & Part No. |
| TDS24BE_3M | Standard | R-404A | CT3-44TV | 26-60000-03 | 05K4 |
| TDB24BE03M | No Standby Motor | R-404A | | | 18-00063-05RM |

| MANUAL/ FORM NO. | PART NUMBER COVERED | EQUIPMENT COVERED | TYPE OF MANUAL/FORM |
|---------------------|------------------------|----------------------|------------------------|
| 62-03717 | 26-60000-03 | CT3-44TV | Engine Parts List |
| 62-02460 | 18-00063-04 | 05K Compressor | Compressor Parts List |

ORDERING INSTRUCTIONS

All orders and inquiries for parts must include:

- Unit Serial Number
- Part Number
- Description of Part
- Quantity Required

Address all correspondence for parts to the following address:

CARRIER TRANSICOLD DIVISION
Replacement Components Group
TR-20, P.O. Box 4805
Syracuse, New York 13221
or
Fax to: (315) 432-3778

GENERAL NOTES

To find replacement parts, consult table of contents, and turn to the appropriate page for the illustrated breakdown of replacement parts. The following letter designations are used to classify parts throughout this list:

The following letter designations are used to classify parts throughout this list:

A/R *As Required.*

P-- *Suffix P--* added to the part number means the part is available in a packaged quantity only.
Example: P/N34-00373-01P10 is a package of 10 P/N34-00373-01. Use the part number and the P-- suffix when ordering.

PL *Purchase locally.*

SST *Stainless Steel* - 300 Series unless otherwise specified.

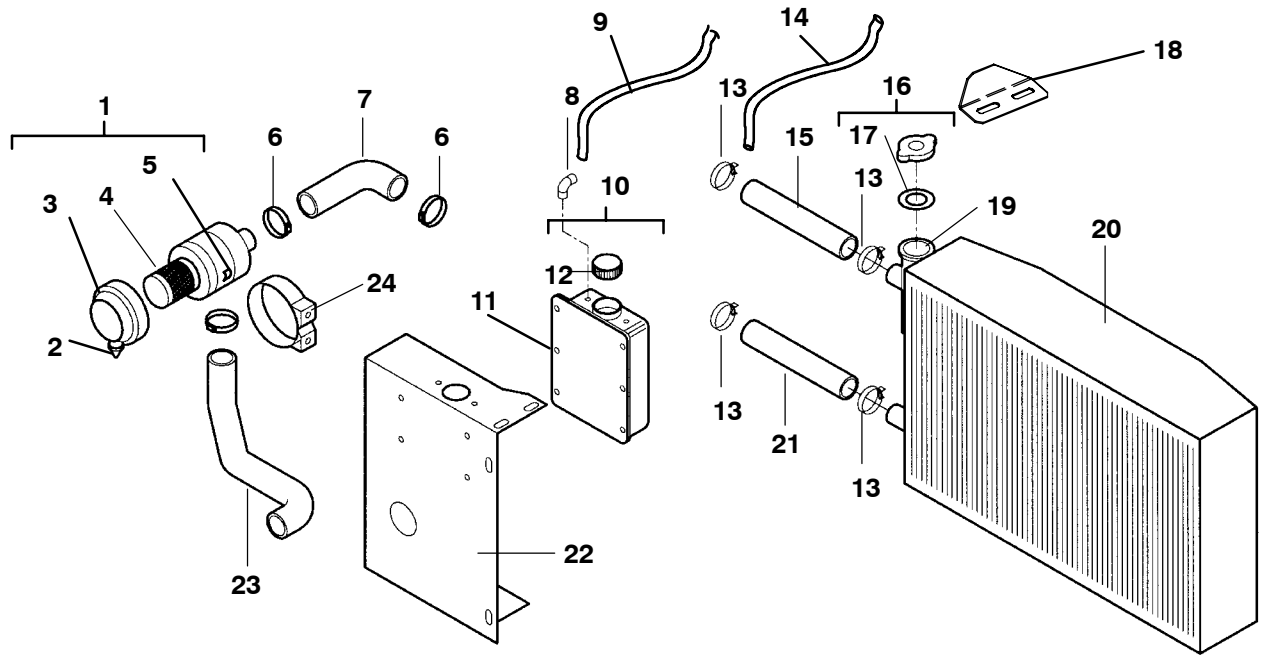
SV *Suffix SV* - added to the part number designates service part replacement part.

| 1 QUICK LIST | |
|--------------------------------------|---|
| 1.1 Quick List - Filters | |
| PART NO. | DESCRIPTION |
| 14-00326-00 | Filter Drier |
| 30-60049-20 | Filter, Element, Air |
| 30-01090-05 | Filter, Fuel (P12) |
| 941172 | Filter, Oil - Primary (P12) |
| 30-00304-00 | Filter, Oil - Bypass (P12) |
| 30-01080-20 | Filter, Fuel Pump |
| 1.2 Quick List - Fuses | |
| 22-02336-02 | Fuse - 5 A |
| 22-02336-01 | Fuse - 20 A |
| 22-02336-04 | Fuse - 10 A |
| 22-02336-05 | Fuse - 25 A |
| 22-02336-06 | Fuse - 15 A |
| 22-02336-09 | Fuse - 80 A |
| 1.3 Quick List - Belts | |
| 50-00179-54 | V-Belt, Compressor/Standby Motor (Matched Pair) |
| 50-60198-14 | V-Belt, Alternator/Compressor |
| 50-00179-56 | V-Belt, Engine/Compressor (Matched Pair) |
| 50-60197-04 | V-Belt, Water Pump |
| 1.4 Quick List - Clamps, Tube | |
| PART NO. | DESCRIPTION |
| 34-00373-07 | Clamp, Tube, 5/8" |
| 34-00373-11 | Clamp, Tube, 7/8" |
| 34-00373-12 | Clamp, Tube, 15/16" |
| 34-00373-51 | Clamp, Tube, 1/4" |
| 34-00373-53 | Clamp, Tube, 3/8" |
| 44-00285-60 | Clamp, Tube, 7/8" |
| 44-00285-61 | Clamp, Tube, 1-1/8" |
| 44-00285-66 | Clamp, Tube, 5/8" |
| 44-00285-80 | Clamp, Tube, 3/4" - High Temperature |
| 44-00285-68 | Clamp, Tube, 1-3/16" |
| 44-00285-71 | Clamp, Tube, 3/4" |
| 44-00285-73 | Clamp, Tube, 3/4" |
| 44-00285-81 | Clamp, Tube, 5/8" |
| 44-01134-14 | Clamp, Tube, 7/8" |
| 44-01139-01 | Clamp, Cable, 1.0" |
| 44-01139-02 | Clamp, Cable, 3/4" |
| 44-01142-00 | Clamp, Banding, TXV Bulb |
| 44-01143-01 | Clamp, Double Tube, 1/4 & 1/4, High Temperature |
| 44-01143-03 | Clamp, Double Tube, 1/2 & 1/2, High Temperature |
| 44-01146-00 | Clamp, Saddle, 1-1/4" |

2 FIELD INSTALLED OPTIONS

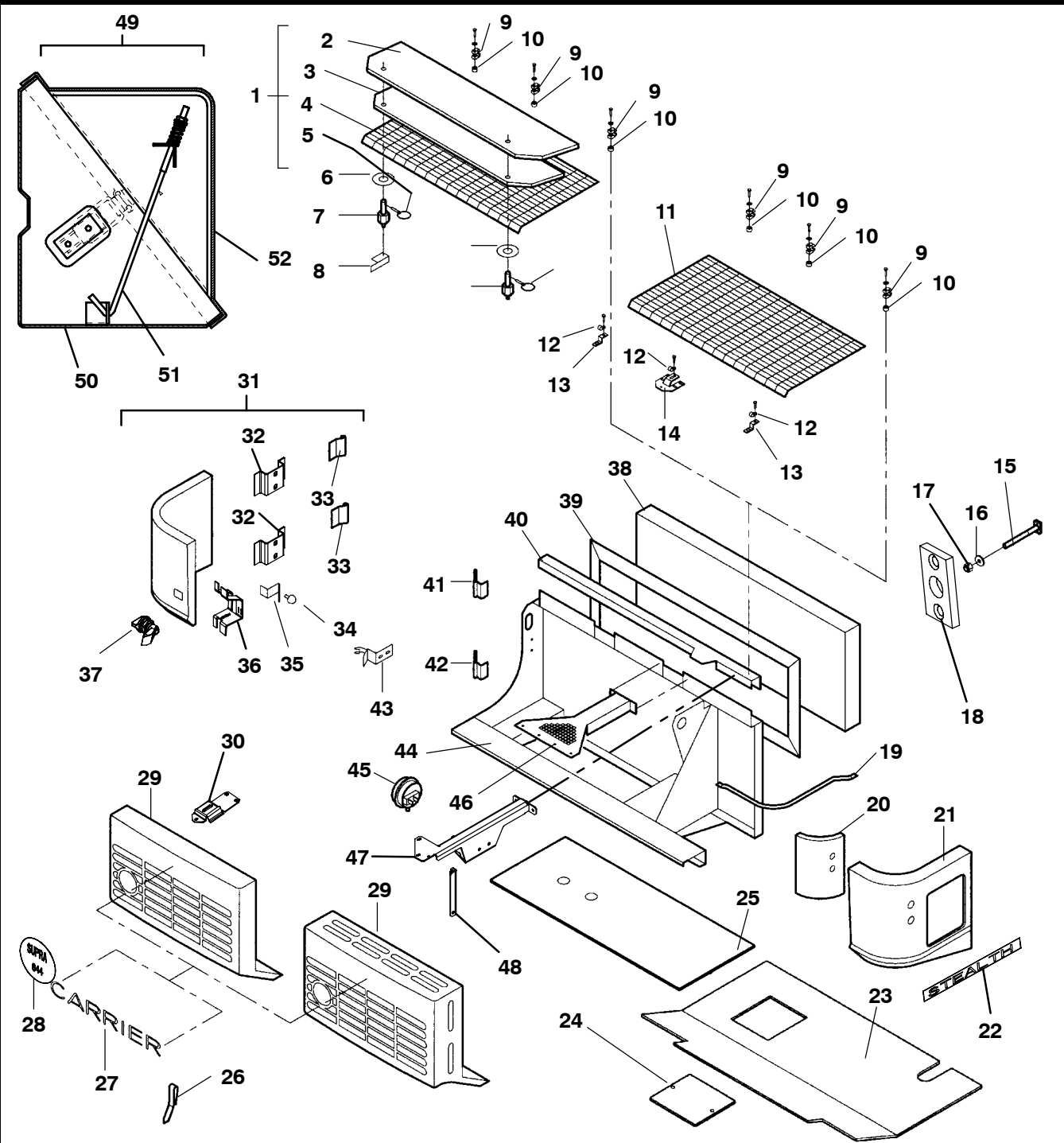
| Part Number | Description |
|--------------------|---|
| 76-60764-06 | Unit Accessory And Mounting Kit, No Standby |
| 76-60764-02 | Unit Accessory And Mounting Kit, 230V, 60 Hz |
| 76-60764-05 | Unit Accessory And Mounting Kit, 460V, 60 Hz |
| 76-60800-01 | Oil Bypass System |
| 76-60801-01 | Supply Air Sensor |
| 76-60808-03 | Fuel Heater System |
| 76-60716-00 | Top Grille |
| 76-60810-01 | Low Noise Kit, Complete (Includes Top Cover, Muffler, Bottom Panel, Oil Drain Kit and Front Grille) |
| 76-60810-02 | Low Noise Kit, Partial (Includes Top Cover, Muffler & Front Grille) |
| 76-60809-00 | Battery Box |
| 76-00550-00 | DataLink |
| 76-61045-00 | Door Shutdown Switch |
| 76-60876-01 | Control Panel, Remote, Flush Mount |
| 76-60798-05 | Control Panel Harness Extension, 5 Meters (16'5") Long |
| 76-60798-10 | Control Panel Harness Extension, 10 Meters (32'10") Long |
| 76-60798-15 | Control Panel Harness Extension, 15 Meters (55'9") Long |
| 65-01033-01 | Fuel Tank, 30 Gallon, 18 Inch Diameter, Side Fill |
| 65-01033-02 | Fuel Tank, 30 Gallon, 18 Inch Diameter, End Fill |
| 76-00343-00 | Fuel Tank Mounting Kit, Side Mount |
| 76-00343-01 | Fuel Tank Mounting Kit, Top Mount |
| 76-50073-00 | Fuel Tank Pickup Tube Kit |

3 CONDENSER AND AIR CLEANER



| Item | Part Number | Description | Qty |
|------|----------------|-----------------------------------|-----|
| 1 | 30-60049-00 | Air Cleaner Assy - Includes : | 1 |
| 2 | 30-60049-22 | Kazoo, Air Filter | 1 |
| 3 | 30-60049-21 | Housing And Cover, Air Filter | 1 |
| 4 | 30-60049-20 | Air Filter Element | 1 |
| 5 | 30-00430-21 | Spring Clip, Air Filter | 2 |
| 6 | 44-00045-04 | Clamp | 3 |
| 7 | 58-01359-00 | Hose, Air | 1 |
| 8 | 58-60094-00 | Elbow | 1 |
| 9 | 22-01049-00 | Hose, Overflow | 1 |
| 10 | 76-00382-00 | Coolant Recovery Kit - Includes : | 1 |
| 11 | NSS | Bottle, Coolant Recovery | 1 |
| 12 | 58-00743-00 | Cap | 1 |
| 13 | 44-00045-03 | Clamp, Hose | 4 |
| 14 | 22-00398-00 | Tube, Clear, 1/8" ID X 25' L | 1 |
| 15 | 58-60344-00 | Hose, Coolant, 25mm ID X 140mm L | 1 |
| 16 | 30-00397-00 | Cap, Radiator - Includes: | 1 |
| 17 | 42-60042-00 | Gasket | 1 |
| 18 | 68-07815-00 | Deflector, Branch | 1 |
| 19 | 40-00410-00 | Filler Neck | 1 |
| 20 | 08-60086-05-SP | Condenser / Radiator | 1 |
| 21 | 58-60039-21 | Hose, Coolant, 25mm, ID X 300mm L | 1 |
| 22 | 86-60361-01 | Bracket, Filter | 1 |
| 23 | 58-01360-00 | Hose, Air | 1 |
| 24 | 30-60046-01 | Clamp, Air Cleaner | 1 |

4 FRAME/SKINS - STANDARD AND LOW NOISE

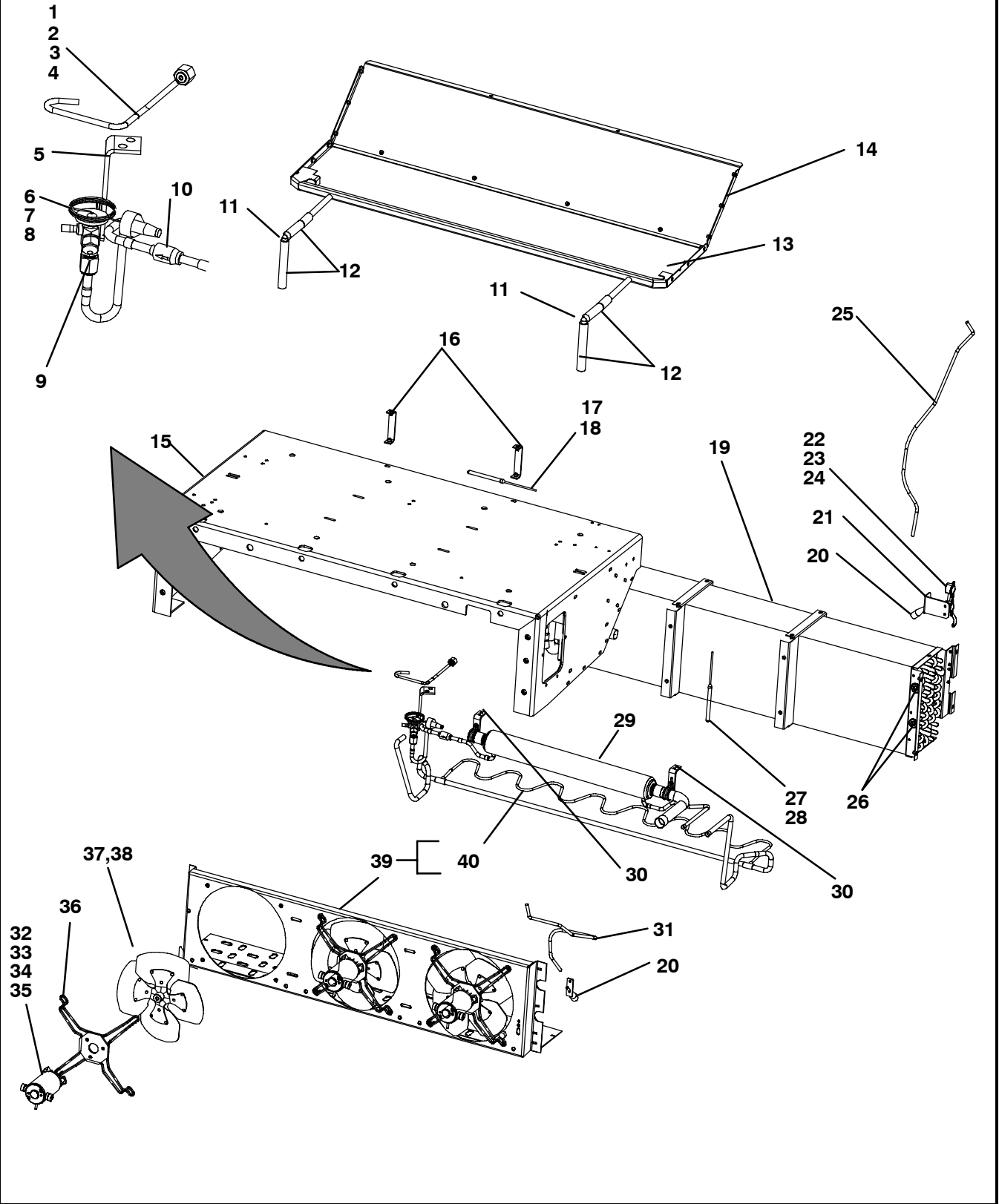


| Item | Part Number | Description | Qty |
|------|---------------|-----------------------------------|-----|
| 1 | 79-60323-00SK | Cover Low Noise Assy - Includes : | 1 |
| 2 | 86-60079-00 | Cover | 1 |
| 3 | 58-60247-00 | Foam Plate | 1 |
| 4 | NSS | Grille | 1 |
| 5 | 34-60021-00 | Pin Clip | 2 |
| 6 | 58-60306-12 | Washer, Nylon | 2 |
| 7 | 48-60014-00 | Axle | 2 |

4 Frame/Skins - Standard And Low Noise

| Item | Part Number | Description | Qty |
|------|-------------|---|-----|
| 8 | 68-60525-00 | Bracket, Support | 1 |
| 9 | 44-60010-00 | Plastic Clamp | 3 |
| 10 | 58-00836-11 | Spacer, Nylon | 3 |
| 11 | 68-60391-00 | Grille, Top | 1 |
| 12 | 44-60044-01 | Clamp | 3 |
| 13 | 68-60465-00 | Bracket | 2 |
| 14 | 68-60464-00 | Bracket | 1 |
| 15 | 34-01235-04 | T-Bolt, 1/2-13 x 6.56 Long | 4 |
| 16 | 34-00366-15 | Washer 1/2 | 4 |
| 17 | 34-00361-15 | Nut, Lock 1/2-13 | 4 |
| 18 | 68-07486-00 | Plate, Unit Mounting Bolts | 4 |
| 19 | 56-60049-00 | Support, Roadside Panel | 1 |
| 20 | 58-60249-02 | Foam Plate, Low Noise | 1 |
| 21 | 58-60012-01 | Panel Assy, Roadside | 1 |
| 22 | 62-10354-00 | Decal, STEALTH | 1 |
| 23 | 68-60503-00 | Cover, Bottom | 1 |
| 24 | 68-07238-00 | Access Door | 1 |
| 25 | 58-60112-01 | Foam Plate, Low Noise | 1 |
| 26 | 62-03905-00 | Indicator, Air Flow | 1 |
| 27 | 62-60008-00 | Decal, Carrier | 1 |
| 28 | 62-60255-05 | Decal 844 | 1 |
| 29 | 58-60307-00 | Grille Assy, Front, Std. Unit | 1 |
| | 58-60317-00 | Grille, Front, Low Noise | 1 |
| 30 | 68-07814-02 | Bracket, Top Support | 1 |
| 31 | 58-60290-03 | Door Assy - Includes : | 1 |
| 32 | 68-60594-00 | Bracket, Hinge Mount | 2 |
| 33 | 44-60002-00 | Hinge, Female | 2 |
| 34 | 73-60011-01 | Bumper | 1 |
| 35 | 86-60376-00 | Bracket, Door Stop | 1 |
| 36 | 68-60569-00 | Bracket, Closure And Bumper | 1 |
| 37 | 44-01163-00 | Latch Assy, 1/4 Turn | 1 |
| 38 | 58-60325-00 | Bulkhead | 1 |
| 39 | 42-01158-03 | Gasket (Bulkhead to Frame) | 1 |
| 40 | 68-07253-02 | Cover, Harness | 1 |
| 41 | 44-60000-01 | Hinge, Upper Male | 1 |
| 42 | 44-60000-00 | Hinge, Lower, Male | 1 |
| 43 | 79-60251-00 | Latch Assy, Door | 1 |
| 44 | 86-60727-01 | Frame Assy | 1 |
| 45 | 12-01039-08 | Switch, Air Pressure | 1 |
| 46 | 86-60360-02 | Bracket | 1 |
| 47 | 86-03063-00 | Channel Assy, Support | 1 |
| 48 | 67-01012-00 | Bracket | 1 |
| 49 | 76-60809-00 | Battery Box Kit (Option) (Mounts Battery On Truck Frame) - Includes : | 1 |
| 50 | NSS | Battery Box Assembly | 1 |
| 51 | 34-60104-00 | Hold Down Bolt | 2 |
| 52 | 76-60847-00 | Top Cover | 1 |

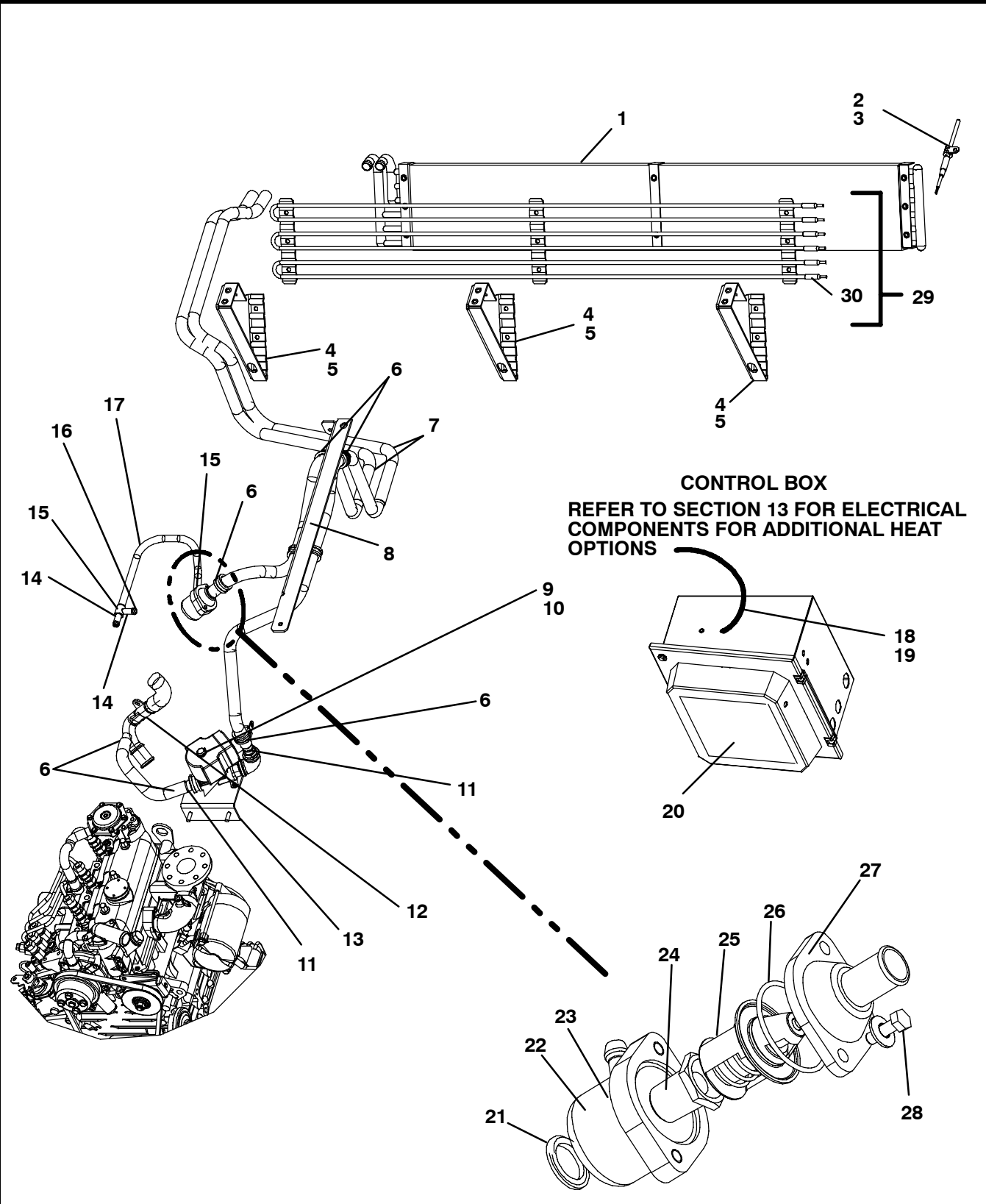
5 EVAPORATOR



| 5 Evaporator | | | |
|---------------------|--------------------|---|------------|
| Item | Part Number | Description | Qty |
| 1 | 82-60068-00 | Tube Assy, Equalizer - Includes: | 1 |
| 2 | 40-60008-01 | Sleeve, ORFS | 1 |
| 3 | 34-06121-07 | Nut, ORFS | 1 |
| 4 | 42-00243-10 | O-Ring, .31 ID X .44 OD | 1 |
| 5 | 68-61890-00 | Angle, TXV Support | 1 |
| 6 | 14-60009-05 | Orifice, Expansion Valve | 1 |
| 7 | 14-60039-04 | Expansion Valve | 1 |
| 8 | 42-00032-00 | Insulation, Prestite | 1 |
| 9 | 14-60007-00 | Adapter, Expansion Valve | 1 |
| 10 | 14-00181-07 | Check Valve | 1 |
| 11 | 58-01296-00 | Elbow, Male | 2 |
| 12 | 58-00529-00 | Hose, Drain 5/8 ID (Cut To Length) | A/R |
| 13 | 86-02994-00 | Pan, Drain | 1 |
| 14 | 67-60023-00 | Cover, Lower Snout | 1 |
| 15 | 86-60721-00 | Evaporator Housing, Top And Sides Only | 1 |
| 16 | 68-60296-00 | Bracket, Supply Air Support | 2 |
| 17 | 22-60009-00 | Sensor Assy, Supply Air - Includes: | 1 |
| 18 | 22-50078-02SV | Connector (Mates With 22-50078-01SV) | 1 |
| 19 | 08-60058-07-SP | Coil, Evaporator | 1 |
| 20 | 58-00793-00 | Fitting, Air Sensor | 1 |
| 21 | 68-10745-01 | Bracket, Air Sensor | 1 |
| 22 | 22-60116-05 | Harness, Defrost Termination Assy - Includes: | 1 |
| 23 | 12-00256-03 | Switch Defrost Termination | 1 |
| 24 | 22-02392-00SV | Connector (Mates With 22-01585-00SV) | 1 |
| 25 | 22-01100-00 | Tubing, Clear, Air Sensing (Purchase By Foot) | 3' |
| 26 | 58-00065-66 | Grommet, Air Tubes, .56 ID X .81 OD | 2 |
| 27 | 22-01940-00 | Sensor, Return Air - Includes: | 1 |
| 28 | 22-50078-01SV | Connector (Mates With 22-50078-02SV) | 1 |
| 29 | 08-60040-00 | Heat Exchanger | 1 |
| 30 | 68-07142-01 | Bracket, Heat Exchanger | 2 |
| 31 | 58-01149-00 | Tubing, Red - Air Sensing (Purchase By Foot) | 3' |
| 32 | 54-60006-13 | Motor, Evaporator Fan - Includes: | 3 |
| 33 | 54-60006-31 | Cap, Brush Holder | 6 |
| 34 | 54-60006-30SV | Brush | 6 |
| 35 | 22-50078-02SV | Connector (Mates With 22-50078-01SV) | 3 |
| 36 | 73-00331-00 | Mount, Fan Motor | 3 |
| 37 | 38-60010-00 | Fan - Includes: | 3 |
| 38 | PL | Set Screw, Cup Point 8mm x 8mm | 3 |
| 39 | 86-03047-00 | Fan Deck Assy - Includes: | 1 |
| 40 | 81-02597-00 | Tube Assy, Defrost Serpentine | 1 |

6 ADDITIONAL HEAT OPTIONS

6.1 Electric Heat, Water Heat And Electric and Water Heat Options



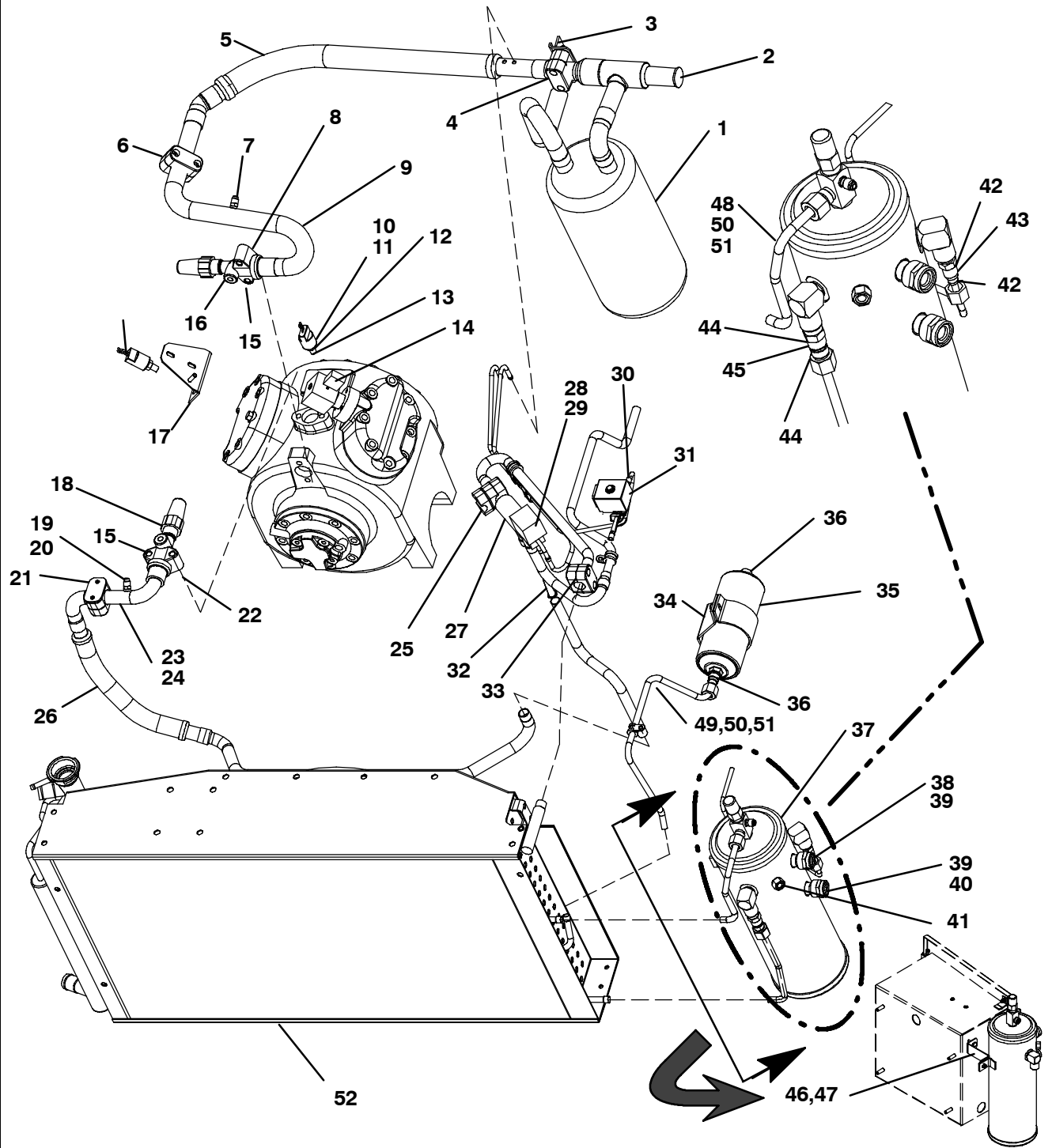
6.1 Additional Heat Options - Hot Water And Electric Hot Water

| Item | Part Number | Description | Qty |
|------|----------------|--|-----|
| 1 | 08-01060-01-SP | Coil, Water Heat | 1 |
| 2 | 22-60009-00 | Sensor, Supply Air (SAS) - Includes: | 1 |
| 3 | 22-50078-01SV | Connector (Mates With 22-50078-02SV) | 1 |
| 4 | 86-03071-00 | Bracket Assy, Heaters - Includes: | 3 |
| 5 | NSS | Plate, Heater Attachment | 1 |
| 6 | 44-60011-04 | Clamp | 6 |
| 7 | 58-60139-00 | Hose | 1 |
| 8 | 68-60521-00 | Bracket | 1 |
| 9 | 22-60137-00 | Coil, Solenoid, 12V | 1 |
| 10 | 14-60036-00 | Valve, Solenoid, Water | 2 |
| 11 | 48-60013-00 | Nipple, Straight | 2 |
| 12 | 56-60658-00 | Tube, Water | 1 |
| 13 | 68-60522-00 | Bracket, Water Valve | 1 |
| 14 | 44-60042-08 | Collar, Tube | 2 |
| 15 | 44-60042-10 | Collar, Tube | 2 |
| 16 | 56-60557-00 | Tee, Plastic | 1 |
| 17 | 58-60065-05 | Hose | 1 |
| 18 | 22-60471-00 | Harness (Hot Water Heat Only) | 1 |
| | 22-60506-00 | Harness (Electric And Hot Water Heat) - Includes: | 1 |
| 19 | 22-01613-18 | Connector, 6 Socket (Mates With 22-01613-16) | 1 |
| 20 | 62-60273-02 | Decal, Schematic | 1 |
| 21 | 42-60040-16 | Seal Ring, 16.8mm ID X 24mm OD | 1 |
| 22 | 48-60018-00 | Body, Thermostat | 1 |
| 23 | 25-36676-00 | Gasket, Thermostat Housing | 1 |
| 24 | 34-60030-00 | Bushing, 3/8-19 UNC | 1 |
| 25 | 25-15003-01 | Thermostat | 1 |
| 26 | 42-60051-00 | O-Ring | 1 |
| 27 | 48-60020-00 | Cover, Thermostat | 1 |
| 28 | 34-60000-16 | Bolt, HexHd, M5 X 16mm | 2 |

6.1 Additional Heat Option - Electric Heat

| Item | Part Number | Description | Qty |
|------|---------------|--|-----|
| 4 | 86-03071-00 | Bracket, Heaters | 3 |
| 18 | 22-60506-00 | Harness - Includes: | 1 |
| 19 | 22-01613-18 | Connector, 6 Socket (Mates With 22-01613-16) | 1 |
| 2 | 22-60009-00 | Sensor, Supply Air (SAS) - Includes: | 1 |
| 3 | 22-50078-01SV | Connector (Mates With 22-50078-02SV) | 1 |
| 20 | 62-60273-02 | Decal, Schematic | 1 |
| 29 | 24-60029-00 | Heater Assy - Includes: | 1 |
| 30 | 24-60008-02 | Heater, 800W | 3 |

7 REFRIGERATION CIRCUIT

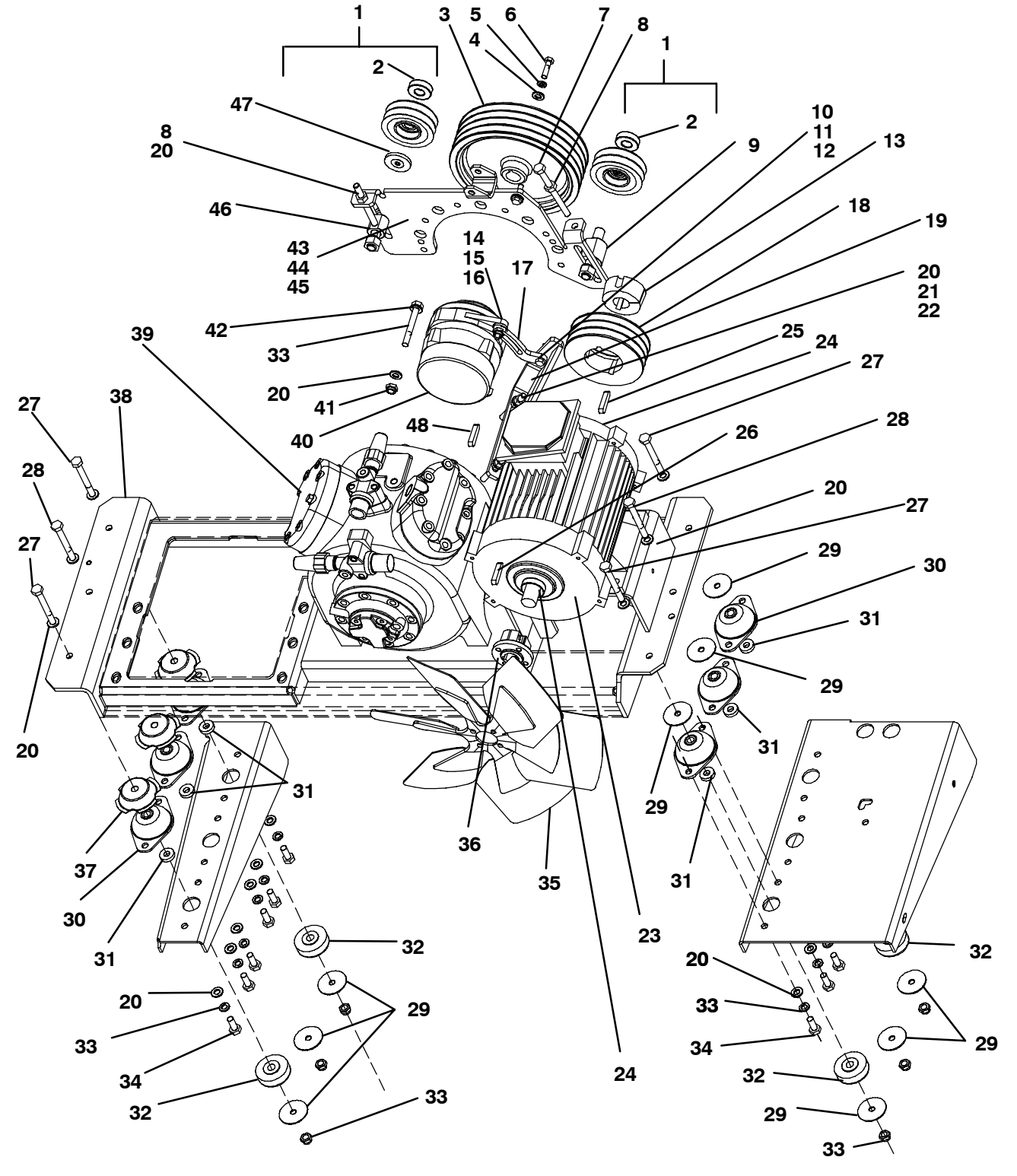


| Item | Part Number | Description | Qty |
|------|-------------|-------------------------------|-----|
| 1 | 65-60035-01 | Tank, Accumulator | 1 |
| 2 | 14-00205-00 | Valve Pressure Regulating CPR | 1 |
| 3 | 67-60136-01 | Bracket Assy, CPR Valve | 1 |
| 4 | 44-60027-15 | Clamp, 1 1/8" | 1 |
| 5 | 73-60024-04 | Vibrasorber, Suction | 1 |
| 6 | 44-00285-61 | Clamp, 1 1/8" | 1 |
| 7 | 12-00283-00 | Transducer, Pressure, Suction | 1 |

7 Refrigeration Circuit

| Item | Part Number | Description | Qty |
|------|----------------|--|-----|
| 8 | 42-00288-00 | Gasket, Suction Service Valve | 1 |
| 9 | 81-60428-00 | Tube Assy, Suction | 1 |
| 10 | 12-00309-04 | Switch, High Pressure - Includes: | 1 |
| 11 | 22-02392-00SV | Connector (Mates With 22-01585-00SV) | 1 |
| 12 | 42-00243-07 | O-Ring, .35 ID | 1 |
| 13 | 40-60053-00 | Fitting, 1/8 NPTF X 7/16-20FP | 1 |
| 14 | 22-02579-00 | Coil, Compressor Unloader | 1 |
| 15 | 34-00302-14 | Screw, 5/16-18 X 1.75 Long | 4 |
| 16 | 14-01042-06 | Service Valve, Suction | 1 |
| 17 | 86-60421-00 | Bracket Assy | 1 |
| 18 | 14-01042-08 | Service Valve, Discharge | 1 |
| 19 | 12-00299-13 | Switch, High Pressure - Includes: | 1 |
| 20 | 22-01585-00SV | Connector (Mates With 22-02392-00SV) | 1 |
| 21 | 44-01134-14 | Clamp, Cushion, Hi-Temp, 7/8" | 1 |
| 22 | 42-01084-00 | Gasket, Discharge Service Valve | 1 |
| 23 | 81-60391-01 | Tube Assy, Discharge Line - Includes: | 1 |
| 24 | 40-01124-00 | Valve Body, Schrader | 1 |
| 25 | 44-00285-81 | Clamp, Plastic, 5/8" | 2 |
| 26 | 73-60010-00 | Vibrasorber, Discharge, 7/8 | 1 |
| 27 | 14-00337-02 | Valve, Three-Way - Includes: | 1 |
| 28 | 14-01110-01 | Coil - Includes : | 1 |
| 29 | 22-50078-02SV | Connector (Mates With 22-50078-01SV) | 1 |
| 30 | 14-00269-01 | Valve Body, Hot Gas (Coil Not Included) | 1 |
| 31 | 22-60405-00 | Coil, Hot Gas Valve, 12V | 1 |
| 32 | 14-00176-03 | Strainer | 1 |
| 33 | 44-00285-80 | Clamp, Plastic, 3/8" | 1 |
| 34 | 79-60541-00 | Filter Clamp | 1 |
| 35 | 14-00326-00 | Filter Drier - Includes: | 1 |
| 36 | 42-00243-09 | O-Ring | 2 |
| 37 | 65-60036-02 | Tank, Receiver - Includes: | 1 |
| 38 | 65-00168-24 | Sight Glass, Upper - Includes: | 1 |
| 39 | 65-00168-22 | O-Ring | 1 |
| 40 | 65-00168-23 | Sight Glass, Lower With Moisture Indicator - Includes: | 1 |
| 39 | 65-00168-22 | O-Ring | 1 |
| 41 | 14-00272-00 | Valve Pressure Relief | 1 |
| 42 | 42-00243-10 | O-Ring, .31 ID | 1 |
| 43 | 40-60207-00 | Fitting, 1/4 ORFS X 1/4 ORFS Male | 1 |
| 44 | 42-00243-09 | O-Ring, .38 ID | 1 |
| 45 | 14-60026-01 | Check Valve 3/8" | 1 |
| 46 | 68-70174-00 | Bracket, Control Box | 1 |
| 47 | 34-01152-20 | Screw, Cap HxHd, M6 X 20mm | 1 |
| 48 | 82-60069-00 | Tube Assembly - Includes: | 1 |
| 49 | 82-01007-00 | Tube Assembly - Includes: | 1 |
| 50 | 40-60008-02 | Sleeve, ORFS | 1 |
| 51 | 40-60009-02 | Nut, ORFS | 1 |
| 52 | 08-60086-05-SP | Coil, Condenser/Radiator | 1 |

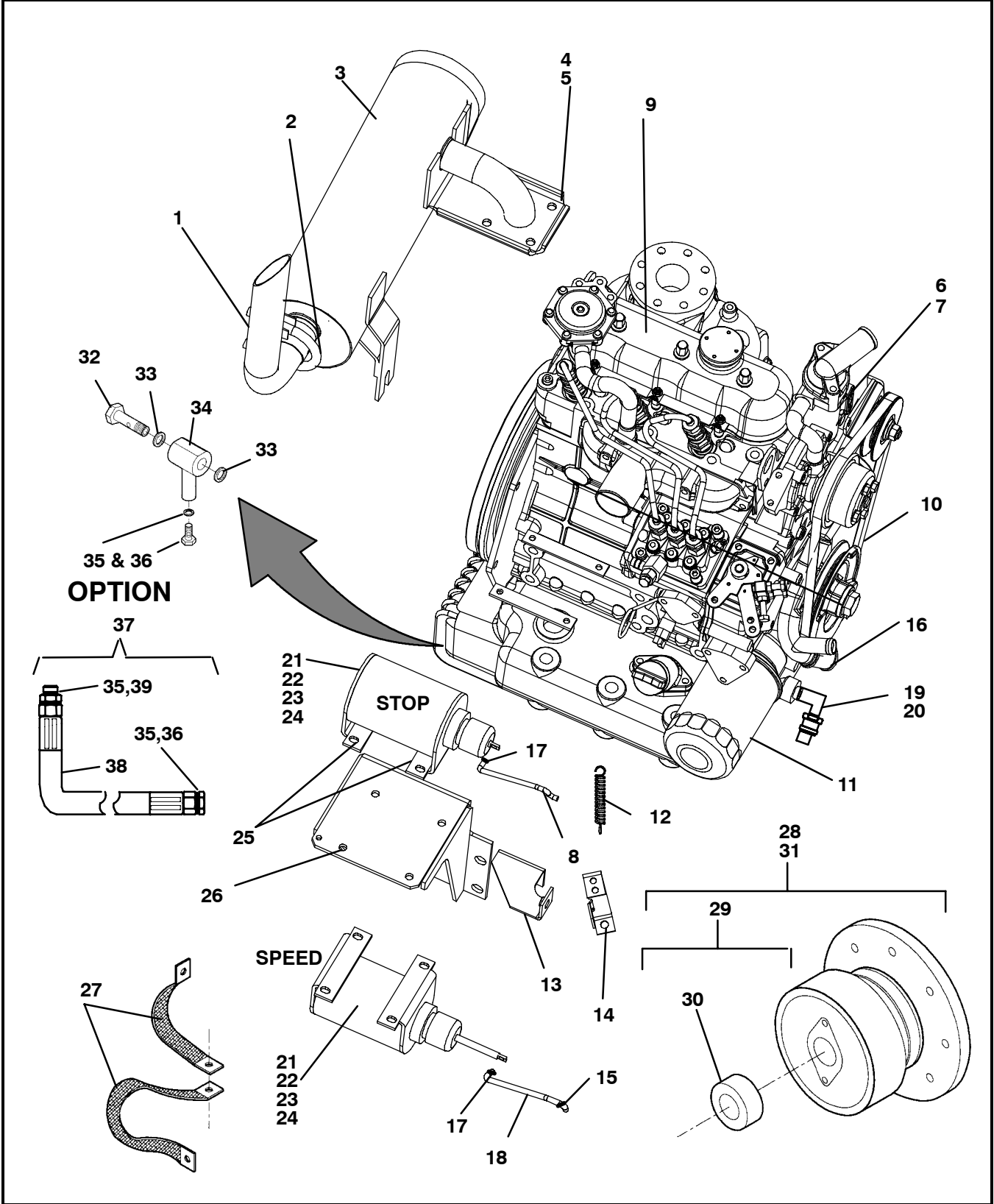
8 POWER TRAY



| Item | Part Number | Description | Qty |
|------|-------------|------------------------------|-----|
| 1 | 50-60156-01 | Idler Pulley - Includes : | 2 |
| 2 | 04-60008-19 | Bearing | 2 |
| 3 | 50-60017-00 | Pulley, Compressor, 4 Groove | 1 |

| 8 Power Tray | | | |
|---------------------|--------------------|---------------------------------------|------------|
| Item | Part Number | Description | Qty |
| 4 | 48-60172-00 | Washer, Compressor Pulley, M8 X 7 | 1 |
| 5 | 34-00368-12 | Washer, Lock, 5/16" | 1 |
| 6 | 34-00615-10 | Screw, Cap HexHd, 5/16-18 X 1.25" | 1 |
| 7 | 34-01256-120 | Screw, Cap HexHd, M10 X 120mm | 1 |
| 8 | 34-00946-60 | Nut, Hex, M10-1.5 | 1 |
| 9 | 48-60010-03 | Spacer, Lower Idler | 1 |
| 10 | 34-00876-35 | Screw, Cap HxHd, M8 X 35mm | 1 |
| 11 | 34-01184-58 | Nut, Lock, M8 | 1 |
| 12 | 34-60002-08 | Washer, M8, Bellville | 1 |
| 13 | 04-00049-13 | Bushing, Taper Lock | 1 |
| 14 | 34-01249-20 | Spacer, Alternator | 2 |
| 15 | 34-01152-40 | Screw, Cap HxHd, M6 X 40mm | 1 |
| 16 | 34-01184-56 | Nut, Lock, M6 | 1 |
| 17 | 68-61741-00 | Bracket, Alternator | 1 |
| 18 | 50-60183-02 | Pulley, 3 Groove | 1 |
| 19 | 86-60822-00 | Support Assembly | 1 |
| 20 | 34-00944-10 | Washer, Flat, M10 | 21 |
| 21 | 34-60168-00 | Stud, 3/8-16 UNC | 2 |
| 22 | 34-00363-13 | Nut, Hex, 3/8-16 | 2 |
| 23 | 54-60030-02 | Motor, Standby - Includes: | 1 |
| | 54-00139-00 | Standby Shell - Includes: | 1 |
| 24 | 04-60008-32 | Bearing | 2 |
| 25 | 34-60064-00 | Key, Shaft, Pulley Side, 8 X 7 X 45mm | 1 |
| 26 | 34-60022-01 | Key, Shaft, Fan Side, 8 X 7 X 30mm | 1 |
| 27 | 34-00873-90 | Bolt, M10 X 90mm | 4 |
| 28 | 34-00873-60 | Bolt, M10 X 60mm | 2 |
| 29 | 34-00890-00 | Washer, Shockmount | 9 |
| 30 | 73-00154-03 | Shockmount, Upper | 6 |
| 31 | 48-60011-00 | Spacer, Shockmount | 6 |
| 32 | 73-00096-02 | Shockmount, Lower | 4 |
| 33 | 34-00945-10 | Washer, Lock, M10 | 19 |
| 34 | 34-00873-25 | Screw, Cap HexHd, M10 X 25mm | 12 |
| 35 | 38-60000-01 | Fan | 1 |
| 36 | 48-60001-00 | Fan Hub | 1 |
| 37 | 73-00154-01 | Cover, Shockmount | 3 |
| 38 | 86-60732-00 | Power Tray, 844 | 1 |
| 39 | 18-00063-05RM | Compressor, 05K4 | 1 |
| 40 | 30-60050-04 | Alternator - See Section 11 | 1 |
| 41 | 34-01184-60 | Nut, Lock, M10 | 1 |
| 42 | 34-00873-80 | Bolt, M10 X 80mm | 1 |
| 43 | 86-60925-00 | Bracket, Alternator | 1 |
| 44 | 34-00913-10 | Screw, Cap HxHd, 3/8-17 X 1.25 | 6 |
| 45 | 34-00368-13 | Washer, Lock, 3/8 Spring | 6 |
| 46 | 86-60365-01 | Tie Rod, Adjusting | 1 |
| 47 | 48-60173-00 | Spacer, Upper Idler | 1 |
| 48 | 17-44719-00 | Key, Compressor Crankshaft | 1 |

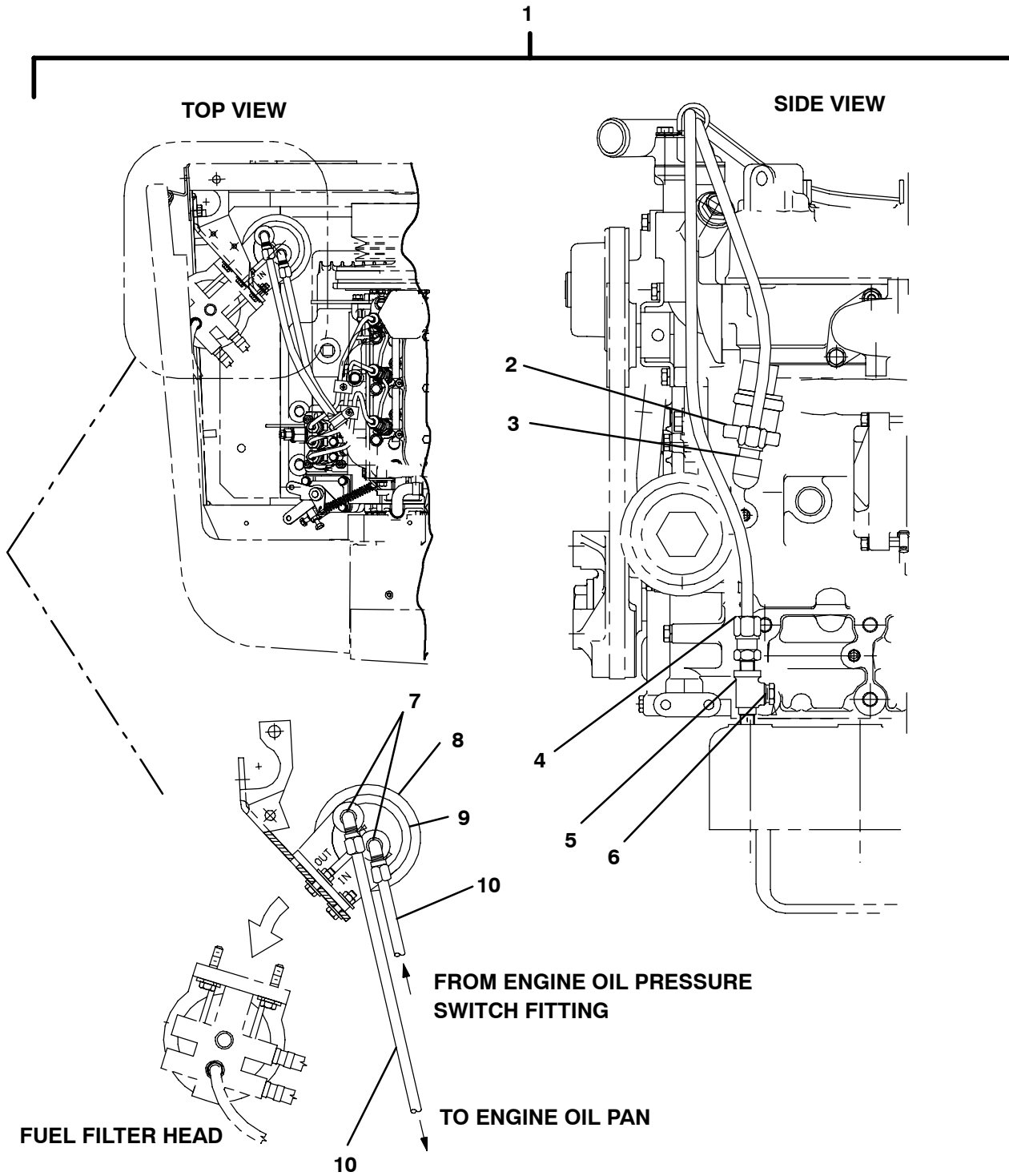
9 ENGINE AND CLUTCH



9 Engine And Clutch

| Item | Part Number | Description | Qty |
|-------------|--------------------|--|------------|
| 1 | 30-60018-00 | Pipe, Exhaust | 1 |
| 2 | 30-01052-03 | Clamp, U-bolt, 1.62 Dia | 1 |
| 3 | 30-01084-01 | Muffler, Standard Unit | 1 |
| | 30-60022-01 | Muffler, Low Noise | 1 |
| 4 | 34-00876-20 | Bolt, M8 x 20mm | 4 |
| 5 | 34-60002-08 | Washer, Belleville, M8 | 4 |
| 6 | 12-01145-03 | Thermistor, Engine Water Temperature - Includes: | 1 |
| 7 | 22-50078-02SV | Connector (Mates With 22-50078-01SV) | 1 |
| 8 | 73-00332-00 | Rod, Stop Linkage | 1 |
| 9 | 26-60000-03 | Engine, CT3-44TV - Includes : | 1 |
| 10 | 50-60197-04 | Belt, Water Pump | 1 |
| 11 | 941172 | Oil Filter - Primary | 1 |
| 12 | 73-60005-00 | Spring, Speed Control | 1 |
| 13 | 86-02963-00 | Bracket, Speed Adjustment | 1 |
| 14 | 68-07311-02 | Bracket, Solenoid | 1 |
| 15 | 44-60013-00 | Clip | 1 |
| 16 | 56-03642-00 | Water Tube | 1 |
| 17 | 44-01049-01 | Clip | 2 |
| 18 | 73-00333-00 | Rod, Speed Linkage | 1 |
| 19 | 12-00456-00 | Oil Switch OP (Mates With 22-02392-00SV) | 1 |
| 20 | 40-60000-00 | Tee, Street, 1/8 FPT X FPT X MBPT | 1 |
| 21 | 10-60018-00 | Solenoid - Includes: | 2 |
| 22 | 22-50078-02SV | Connector (Mates With 22-50078-01SV) | 1 |
| 23 | 58-60201-00 | Boot | 1 |
| 24 | 12-60041-00 | Plunger Assembly | 1 |
| 25 | 86-60020-00 | Nut Plate, Solenoid | 2 |
| 26 | 86-60091-01 | Bracket, Solenoid | 1 |
| 27 | 22-01528-00 | Strap, Ground | 2 |
| 28 | 50-60029-00 | Clutch Assy - Includes : | 1 |
| 29 | 50-60041-00 | Rotor | 1 |
| 30 | 50-50050-03 | Bearing | 1 |
| 31 | 50-50052-00 | Kit, Clutch Rebuild | 1 |
| 32 | 48-60126-00 | Screw, Banjo Fitting | 1 |
| 33 | 42-60040-22 | Seal Ring | 2 |
| 34 | 48-60125-01 | Fitting, Banjo | 1 |
| 35 | 42-60025-00 | O-Ring | 1 |
| 36 | 48-60127-00 | Plug, Male, M16 X 1.5 | 1 |
| 37 | 76-60802-00 | Oil Drain Extension (Kit) - Includes: | 2 |
| 38 | 58-60263-00 | Hose, 1 Meter Long, 25 mm OD | 2 |
| 39 | 40-60150-00 | Connector, 16 x 16 Male Flare | 1 |
| 35 | 42-60025-00 | Seal, Bonded | 1 |
| 36 | 48-60127-00 | Plug, Male, M16 X 1.5 | 1 |

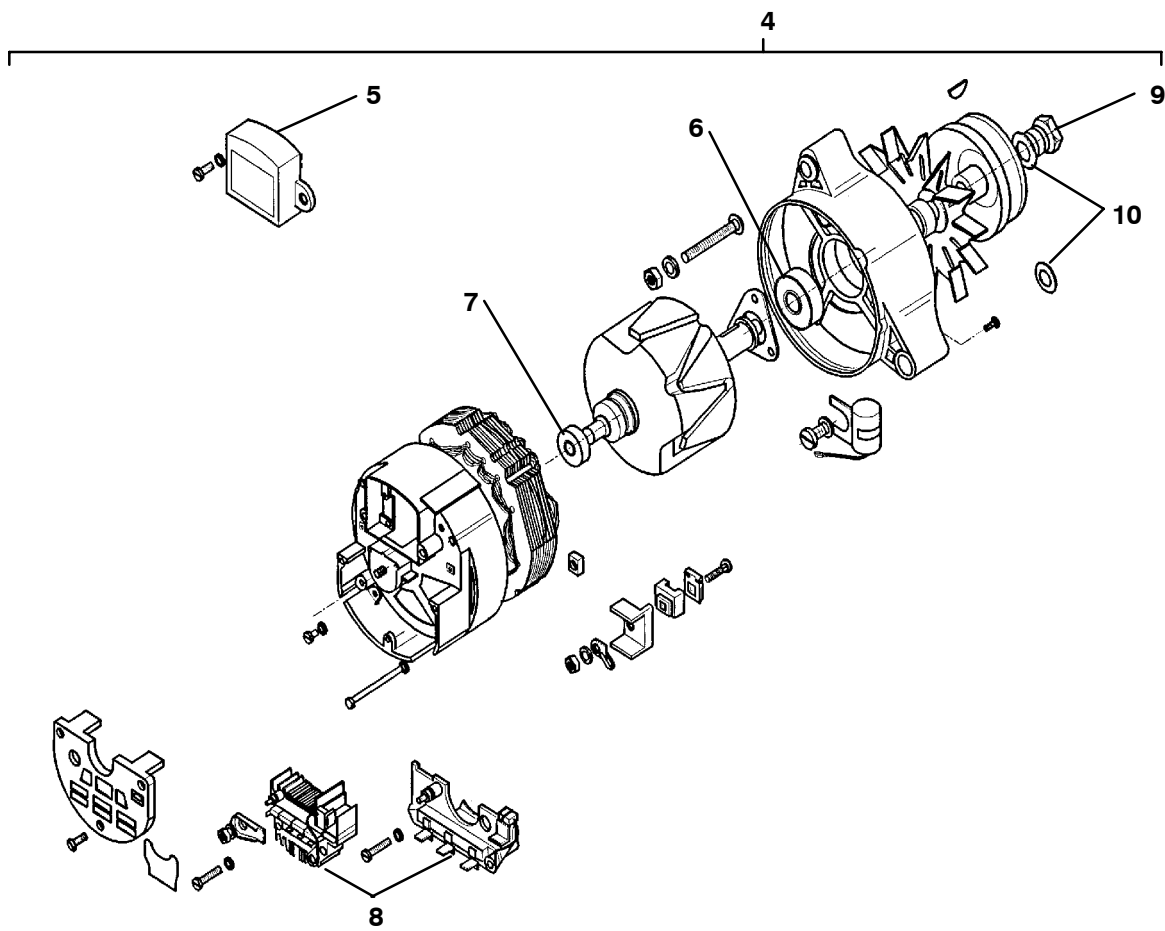
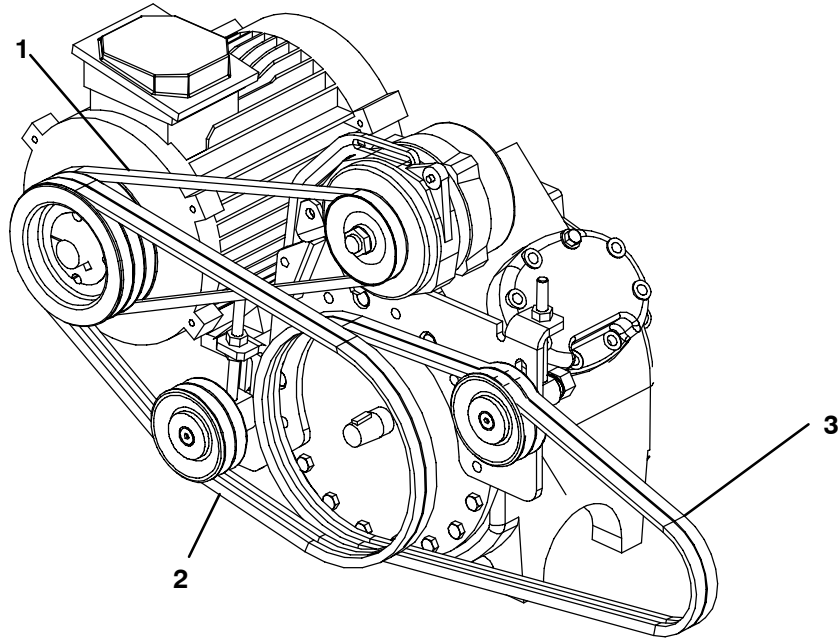
10 BYPASS OIL FILTER KIT



10 Bypass Oil Filter Kit

| Item | Part Number | Description | Qty |
|-------------|--------------------|--|------------|
| 1 | 76-60800-01 | Bypass Oil Filter Kit - Includes: | 1 |
| 2 | 12-00456-00 | Switch, Pressure | 1 |
| 3 | 40-00342-02 | Elbow, Male, 1/8 NPT X 3/8 Tube | 1 |
| 4 | 40-00343-07 | Connector, 3/8 Tube X 1/8 NPTM | 1 |
| 5 | 40-60000-00 | Tee, Street, 1/8 FPT X 1/8 FPT X 1/8 MPT | 1 |
| 6 | 40-00123-01 | Plug, Pipe, 1/8 NPT | 1 |
| 7 | 40-00343-03 | Elbow, Male, 1/4 NPT X 3/8 Tube | 2 |
| 8 | 30-00304-00 | Filter, Oil - Bypass | 1 |
| 9 | 30-00325-00 | Head, Oil Filter | 1 |
| 10 | 58-00508-00 | Tubing, Oil, 3/8 OD X 9' | 1 |

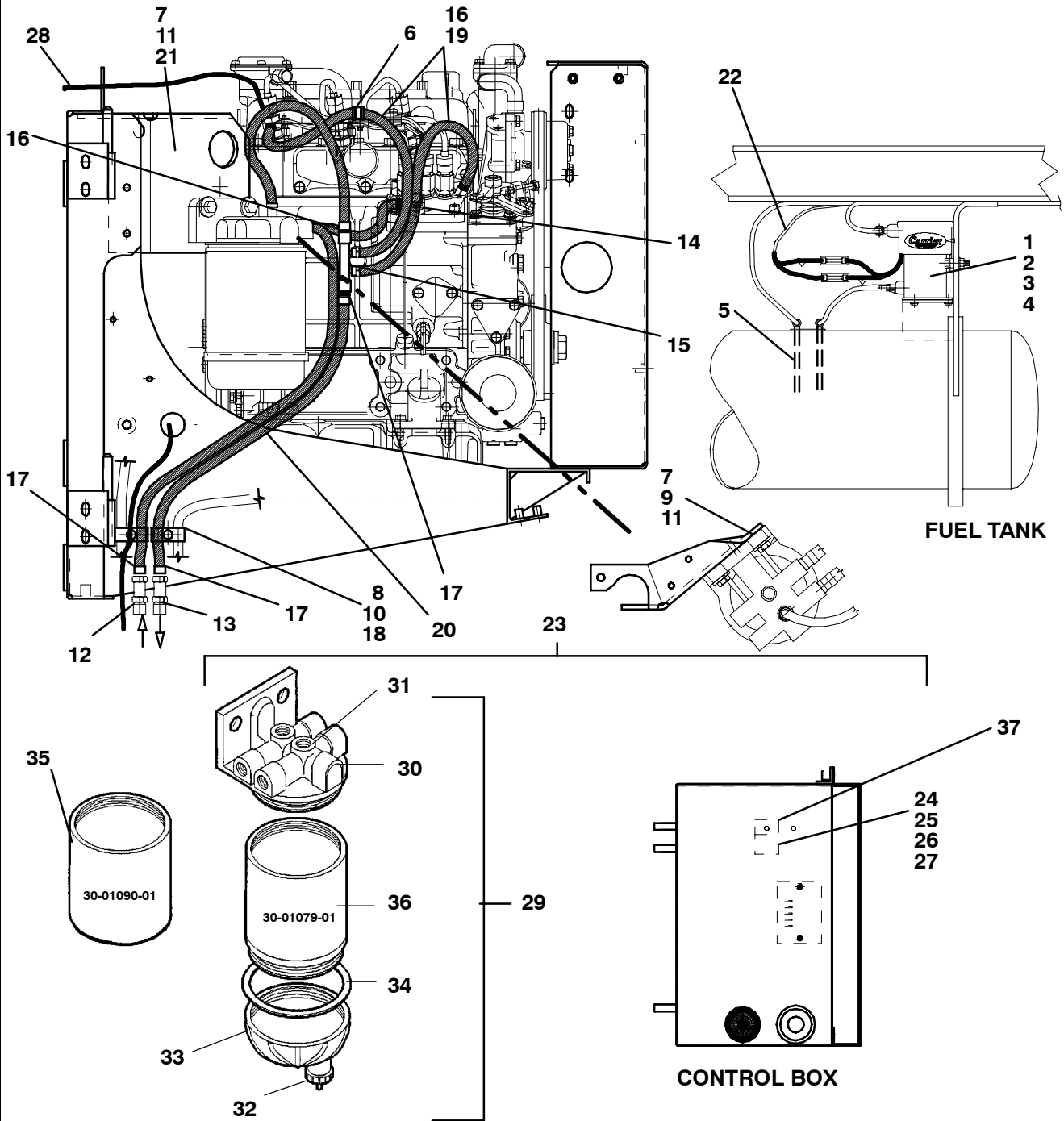
11 BELTS AND ALTERNATOR



11 Belts And Alternator

| Item | Part Number | Description | Qty |
|-------------|--------------------|--|------------|
| 1 | 50-60198-14 | Belt, Electric Motor / Alternator | 1 |
| 2 | 50-00179-54 | Belt, Compressor / Electric Motor, Matched Set | 1 |
| 3 | 50-00179-56 | Belt, Compressor / Engine, Matched Set | 1 |
| 4 | 30-60050-04 | Alternator 14V 70A - Includes : | 1 |
| 5 | 30-60050-21 | Diode Bridge | 1 |
| 6 | 04-60008-19 | Bearing, Front | 1 |
| 7 | 04-60008-04 | Bearing, Rear | 1 |
| 8 | 30-60050-20 | Regulator and Brush | 1 |
| 9 | PL | Nut, M17 x 1.5 | 1 |
| 10 | PL | Washer M17 | 2 |

12 FUEL PUMP AND FILTER



12.1 Fuel Pump

| Item | Part Number | Description | Qty |
|------|---------------|--------------------------------------|-----|
| 1 | 34-01184-56 | Nut, Lock, M6, Nylock | 2 |
| 2 | 34-60002-05 | Washer, M5 Belleville | 2 |
| 3 | 34-01266-20 | Bolt, 6 X 20mm | 2 |
| 4 | 30-01080-02SV | Pump, Fuel, Electric | 1 |
| 5 | 76-00547-00 | Fuel Tank Pickup Tube Kit (In Tank) | 1 |
| 6 | 34-00373-03 | Clamp, Tube, .38 Dia Cushion | 1 |
| 7 | 34-00876-30 | Screw, Cap Hexhead, M8 X 30mm (1.18) | 5 |

12.1 Fuel Pump (Continued)

| | | | |
|----|--------------|---------------------------------------|---|
| 8 | 34-00967-35 | Screw, Cap Hexhead, M6 X 35mm (1.181) | 1 |
| 9 | 34-06051-107 | Rivnut, M8 | 2 |
| 10 | 34-60002-06 | Washer, M6 Belleville | 1 |
| 11 | 34-60002-08 | Washer, M8 Belleville | 5 |
| 12 | 40-01170-02 | Fitting, Fuel Hose, 1/4" I.D. | 1 |
| 13 | 40-01174-02 | Fitting, Fuel Hose, 3/16" I.D. | 1 |
| 14 | 40-60064-00 | Fitting, Fuel Inlet | 1 |
| 15 | 40-60073-00 | Fitting, Four Way, Fuel | 1 |
| 16 | 44-00045-25 | Clamp, Hose, .222 - .62 Worm | 5 |
| 17 | 44-00293-08 | Clamp, Hose, Stepless, 1/2 Ear | 3 |
| 18 | 44-01143-03 | Clamp, Tube, 1/2 OD x 1/2 OD | 1 |
| 19 | 58-00659-00 | Hose, 3/16 ID Fuel, 25' | 1 |
| 20 | 58-04184-00 | Hose, Fuel 1/4 ID, 50' | 1 |
| 21 | 86-60066-03 | Bracket | 1 |
| 22 | 22-60287-03 | Harness, Fuel Pump | 1 |

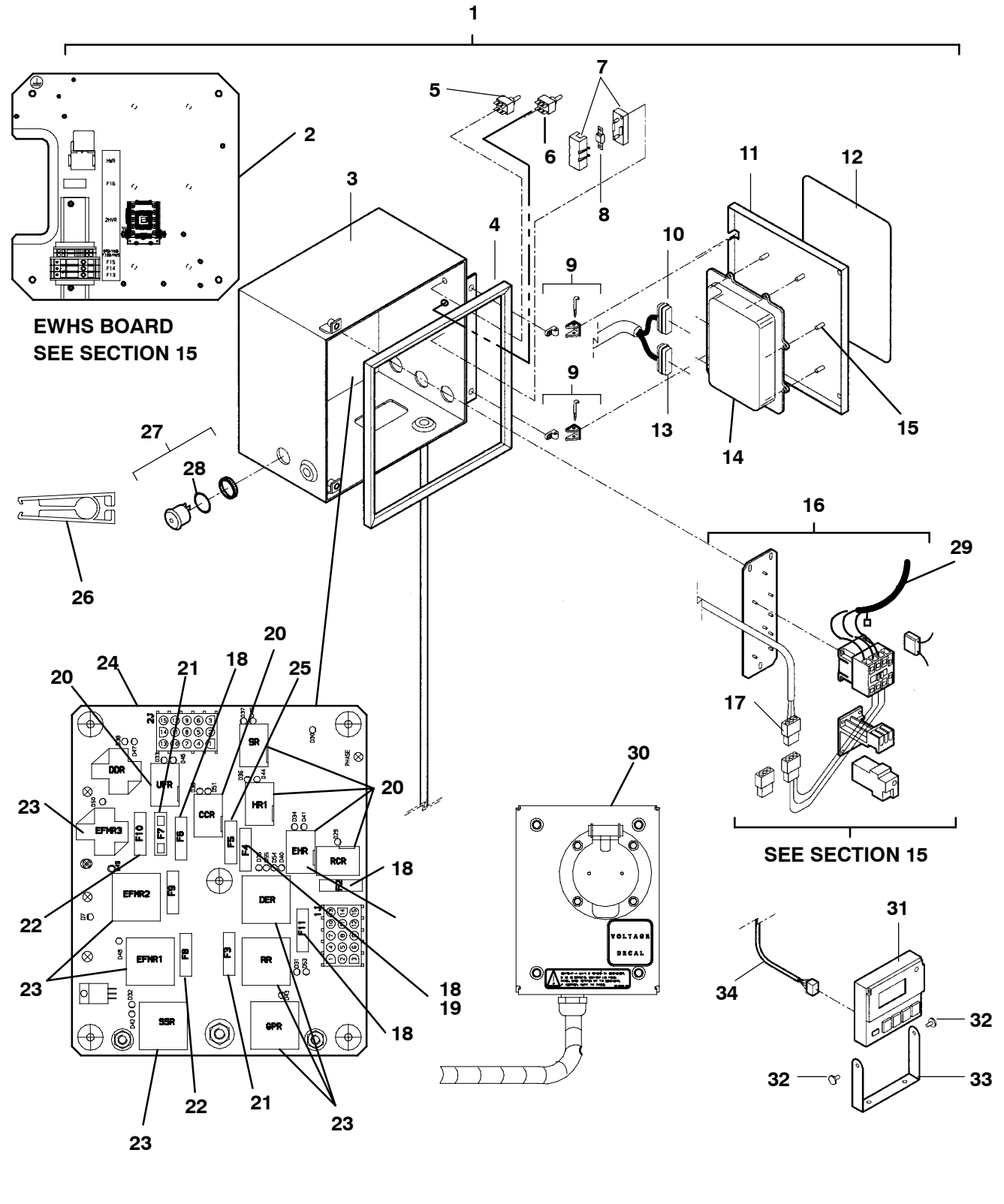
12.2 Fuel Filter With Heater

| Item | Part Number | Description | Qty |
|------|-------------|--|-----|
| 23 | 76-60808-03 | Kit, Fuel Warmer - Includes: | 1 |
| 24 | 10-00286-07 | Relay, SPDT, w/Diode - Units w/Fuel Heater | 1 |
| 25 | 10-00302-00 | Receptacle, Relay | 1 |
| 26 | 34-01184-55 | Nut, Lock, M5, Nylock | 1 |
| 27 | 22-60355-01 | Harness, Fuel Heater | 1 |
| 28 | 22-60654-00 | Harness, Fuel Heater Adding | 1 |
| 29 | 30-01098-09 | Filter Assembly, Fuel - Includes: | 1 |
| 30 | 30-01098-43 | Head, Fuel, with Fittings - Includes: | 1 |
| 31 | 30-01098-40 | Fitting, Bleed, w/ .023 Orifice | 1 |
| 32 | 30-01098-27 | Plug, Drain | 1 |
| 33 | 30-01098-37 | Bowl, Fuel - Includes: | 1 |
| 34 | 30-01098-30 | O-ring, Heater | 1 |
| 35 | 30-01090-05 | Filter, Fuel (Bowl Not Required) | 1 |
| 36 | 30-01079-01 | Filter, Fuel (Bowl Required) | 1 |
| 37 | 22-02336-05 | Fuse, 25 amp - Units w/Fuel Heater | 1 |

12.3 Fuel Filter Without Heater

| Item | Part Number | Description | |
|------|-------------|--|--|
| 29 | 30-01098-03 | Filter Assy, Fuel - Without Heat - Includes: | |
| 30 | 30-01098-43 | Head, Fuel, with Fittings - Includes: | |
| 31 | 30-01098-40 | Fitting, Bleed, w/ .023 Orifice | |
| 32 | 30-01098-27 | Plug, Drain | |
| 33 | 30-01098-36 | Bowl, Fuel - Includes: | |
| 35 | 30-01090-01 | Filter, Fuel (Bowl Not Required) | |
| 36 | 30-01079-01 | Filter, Fuel (Bowl Required) | |

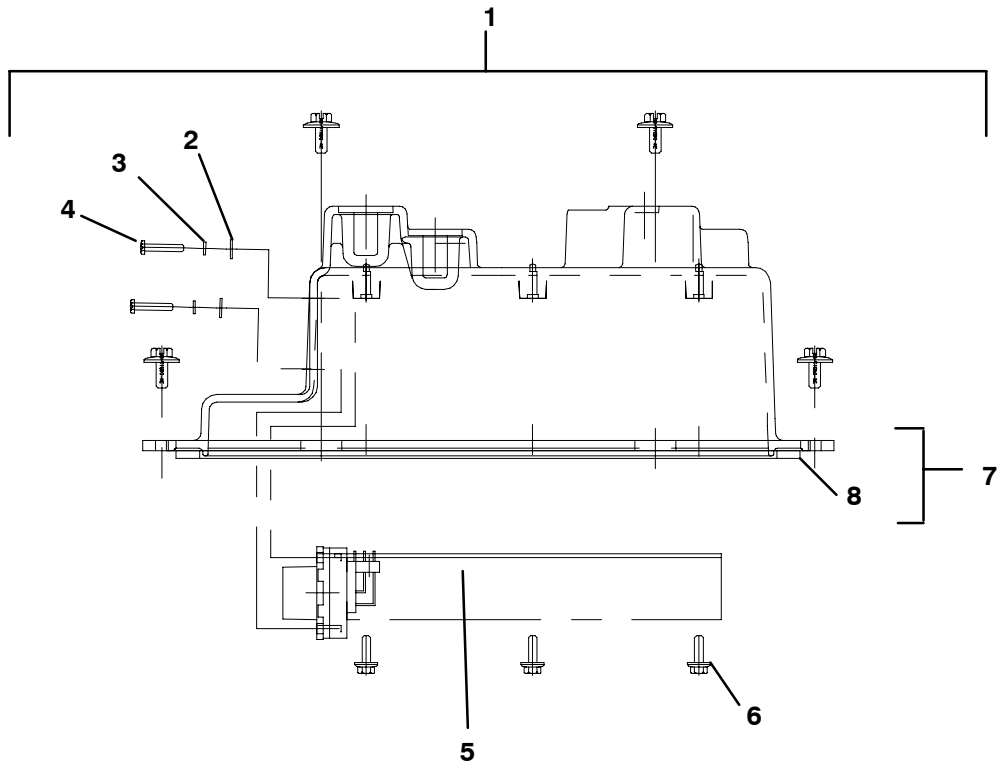
13 MICROPROCESSOR CONTROL BOX



13 Microprocessor Control Box

| Item | Part Number | Description | Qty |
|------|---------------|--|-----|
| 1 | 91-60206-56 | Microprocessor Control Box Elec. & Water Ht. Opt. 460/3/60 - Includes : | 1 |
| | 91-60206-57 | Microprocessor Control Box Elec. & Water Ht. Opt. 230/3/60 - Includes : | 1 |
| | 91-60206-42 | Microprocessor Control Box No Standby - Includes : | 1 |
| | 91-60206-71 | Microprocessor Control Box (208-230/3/60) - Includes : | 1 |
| | 91-60206-70 | Microprocessor Control Box (460/3/60) - Includes : | 1 |
| 2 | 91-60166-01 | Panel Assy EWHS Only - Refer To Section 15 | 1 |
| 3 | 79-60494-00 | Box Assy | 1 |
| | 79-60509-00 | Box Assy (Electric And Water Heat Option) | 1 |
| 4 | 42-60037-00 | Gasket | 1 |
| 5 | 10-01129-15 | Switch, Toggle, On/Off | 1 |
| 6 | 10-01129-16 | Switch, Toggle, On/Off, Momentary | 1 |
| 7 | 22-60345-00 | Fuse Holder | 1 |
| 8 | 22-60340-04 | Fuse, 80 A | 1 |
| 9 | 44-00356-00 | Hinge | 2 |
| 10 | 22-01605-01SV | Connector, 30 Socket, Female | 1 |
| 11 | 68-60495-00 | Door | 1 |
| 12 | 62-60009-02 | Decal | 1 |
| 13 | 22-01605-00SV | Connector, 30 Socket, Female | 1 |
| 14 | 91-01146-46RP | Logic Board And Cover Assy - Refer To Section 14 | 1 |
| 15 | 34-00662-05 | Washer, Plain #4, Medium .032" Thick | 6 |
| 16 | 91-60207-00 | Panel Assembly, Standby - Refer To Section 15 | 1 |
| 17 | 22-60254-06 | Connector (Mates With 22-60254-07) | 1 |
| 18 | 22-02336-02 | Fuse 5A | 4 |
| 19 | 22-02336-03 | Fuse 3A | 1 |
| 20 | 10-00385-02 | Relay | 6 |
| 21 | 22-02336-06 | Fuse 15A | 2 |
| 22 | 22-02336-01 | Fuse 20A | 3 |
| 23 | 10-00286-04 | Relay | 7 |
| 24 | 12-00460-01 | Circuit Board, Diode And Relay | 1 |
| 25 | 22-02336-04 | Fuse 10A | 1 |
| 26 | 22-02336-50 | Tool, Fuse Removal | 1 |
| 27 | 10-00375-01SV | Buzzer - Includes : | 1 |
| 28 | 42-00243-17 | O-Ring | 1 |
| 29 | 22-60665-00 | Cable Assy, Standby Motor | 1 |
| 30 | 91-01096-03 | Receptacle Box (230/3/60) - Refer To Section 16 | 1 |
| | 91-01096-05 | Receptacle Box (460/3/60) - Refer To Section 16 | 1 |
| 31 | 12-00325-02 | Cab Command | 1 |
| 32 | 34-60005-00 | Screw, Thumb | 2 |
| 33 | 68-60059-02 | Bracket, Cab Command | 1 |
| 34 | 22-60664-00 | Harness, Cab Command | 1 |

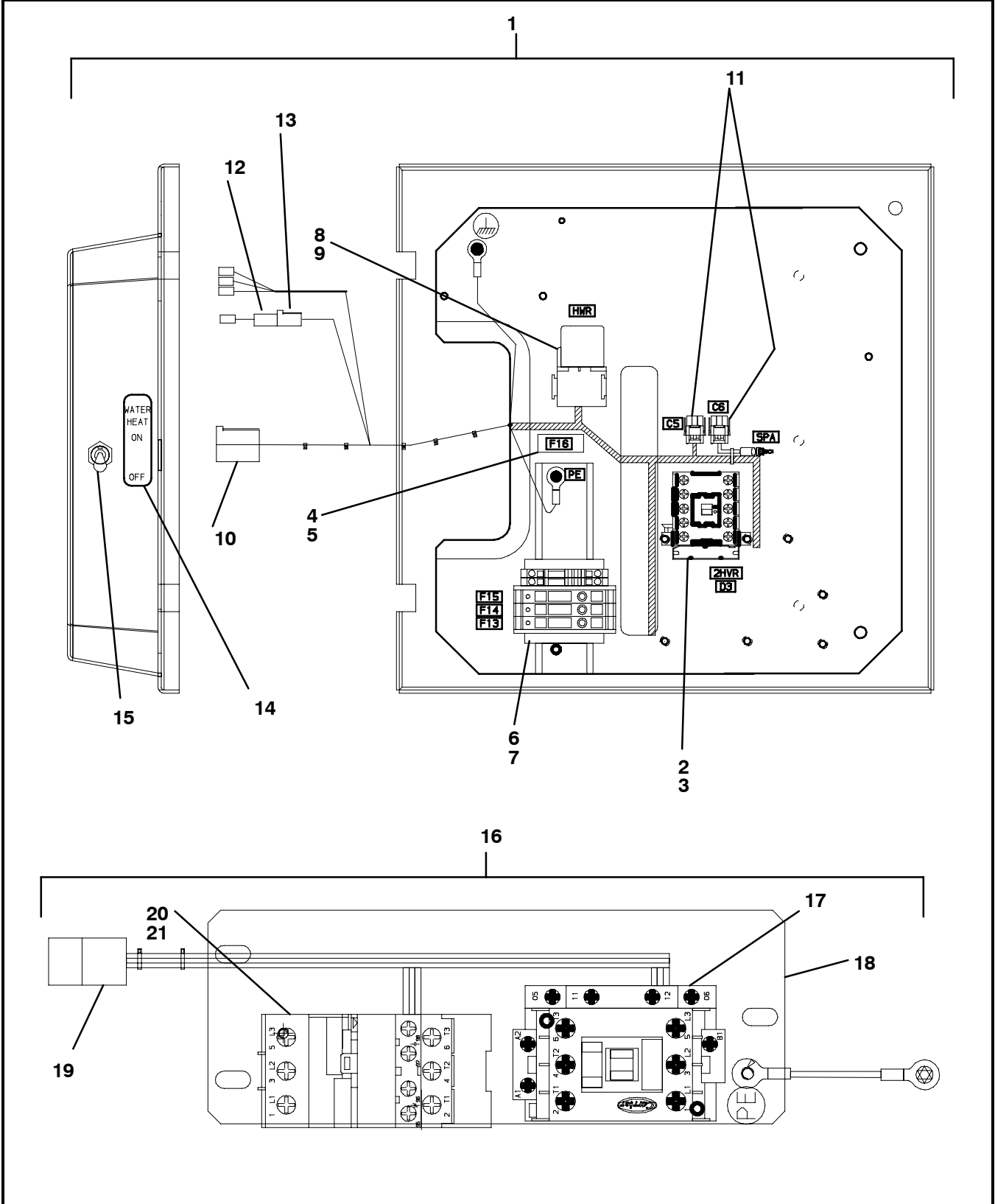
14 LOGIC BOARD



14 Logic Board

| Item | Part Number | Description | Qty |
|-------------|--------------------|---|------------|
| 1 | 91-01146-51RP | Logic Board & Cover Assembly - Includes: | 1 |
| 2 | 34-00662-05 | Washer, Plain #4, Medium .032" Thick | 6 |
| 3 | 34-00663-05 | Washer, Lock #4 Spring | 6 |
| 4 | 34-06126-08 | Screw, Machine Hex Head, #4-40 x .50" Long Slotted Head | 1 |
| 5 | NSS | Logic Board | 1 |
| 6 | 34-00996-06 | Screw, Hex Washer Head, #8-32 x .38" Long | 8 |
| 7 | 79-02266-00 | Cover Assembly - Includes: | 1 |
| 8 | 42-00266-00 | Gasket, Micro Cover | 1 |

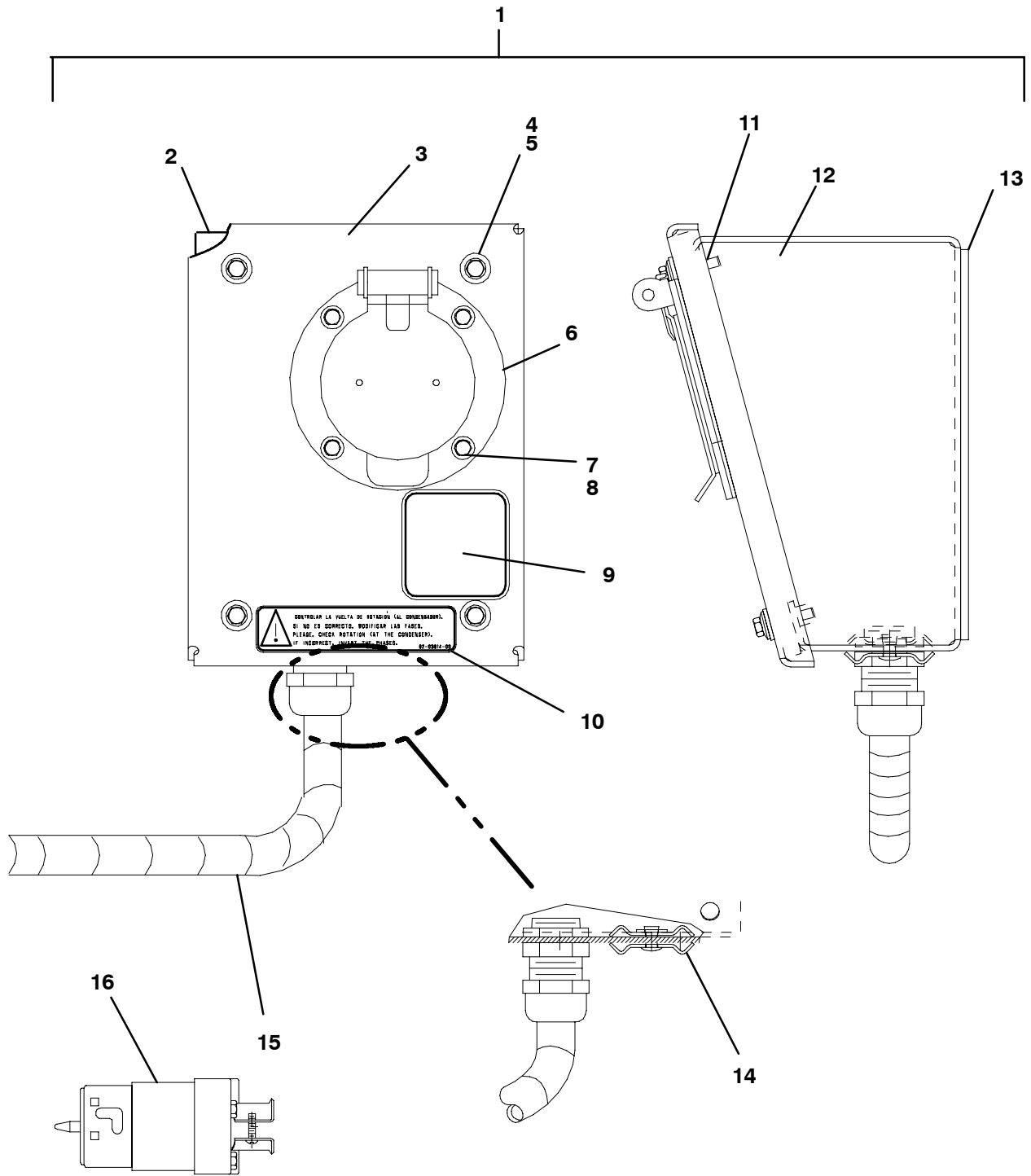
15 ELECTRIC AND WATER HEAT OPTION AND STANDBY PANEL ASSEMBLIES



15 Electric And Water Heat Option And Standby Panel Assemblies

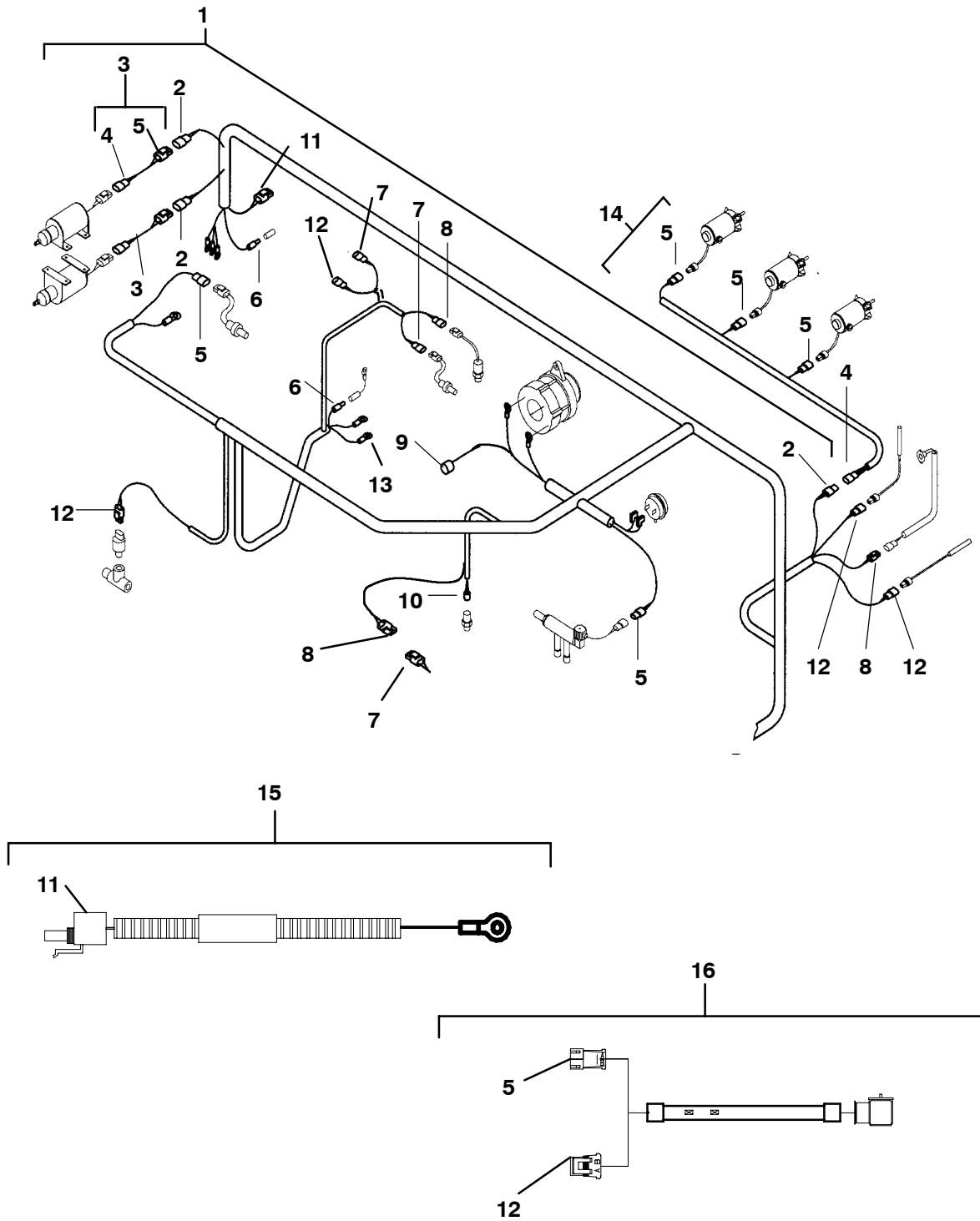
| Item | Part Number | Description | Qty |
|-------------|--------------------|--|------------|
| 1 | 91-60166-01 | Panel Assy, Supplemental Heat - Includes: | 1 |
| 2 | 12-60049-00 | Diode Assy | 1 |
| 3 | 12-60044-02 | Contactactor | 1 |
| 4 | 22-02338-03 | Fuse Holder | 1 |
| 5 | 22-02336-03 | Fuse, 3A | 1 |
| 6 | 22-60505-00 | Junction Block | 1 |
| 7 | 22-60102-08 | Fuse, 4A | 3 |
| 8 | 10-00302-00 | Receptacle, Relay | 1 |
| 9 | 10-00286-04 | Relay | 1 |
| 10 | 22-60254-05 | Connector, 2 Wire (Use 22-60254-29 Terminal) | 1 |
| 11 | 22-60300-01 | Connector, 3 Wire (Use 22-60300-22 Terminal) | 2 |
| 12 | 22-60254-00 | Connector, 1 Wire (Use 22-60254-26 Terminal) | 1 |
| 13 | 22-60254-01 | Connector, 1 Wire (Use 22-60254-29 Terminal) | 1 |
| 14 | 62-60785-00 | Decal, EWHS, Switch | 1 |
| 15 | 10-01129-15 | Switch, Water Heat On/Off | 1 |
| 16 | 91-60207-00 | Panel Assembly, Standby - Includes : | 1 |
| 17 | 10-00433-07 | Contactactor, 30A | 1 |
| 18 | 68-61768-00 | Panel | 1 |
| 19 | 22-60254-07 | Connector (Mates With 22-60254-06) | 1 |
| 20 | 10-60044-14 | Overload Relay | 1 |
| 21 | 10-60044-40 | Base, Overload Relay | 1 |

16 RECEPTACLE BOX



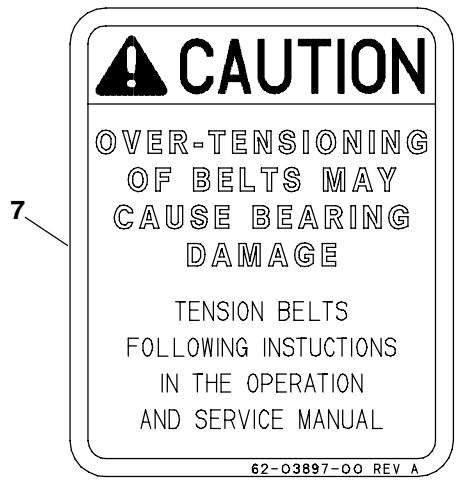
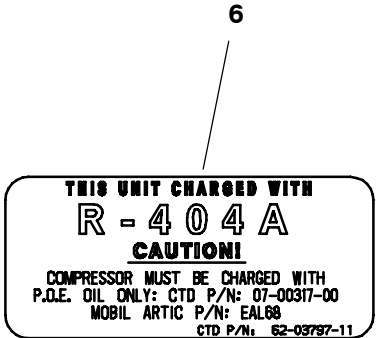
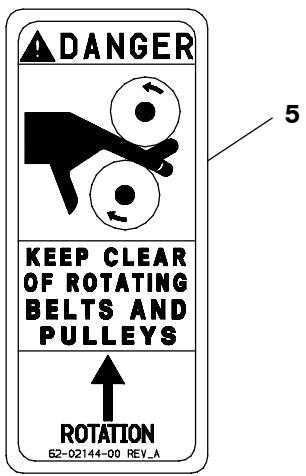
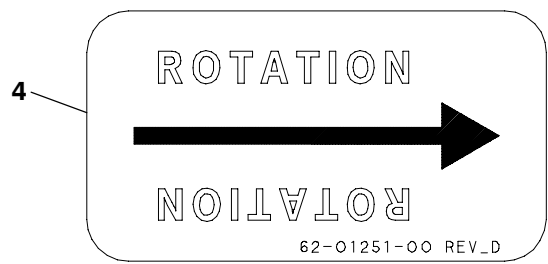
| 16 Receptacle Box | | | |
|--------------------------|--------------------|--|------------|
| Item | Part Number | Description | Qty |
| 1 | 91-01096-03 | Receptacle Box (230/3/60) - Includes: | 1 |
| | 91-01096-05 | Receptacle Box (460/3/60) - Includes: | 1 |
| 2 | 42-01157-00 | Gasket, Door | 1 |
| 3 | 68-07174-02 | Door | 1 |
| 4 | 34-00917-12 | Screw, Mach Hex Head, #10-32 | 4 |
| 5 | 58-00511-08 | Washer, Flat | 4 |
| 6 | 22-01132-03 | Receptacle, Power, 230/3/60, 50A | 1 |
| | 22-01132-01 | Receptacle, Power, 460/3/60, 50A | 1 |
| 7 | 34-00996-08 | Screw, Mach Hex Head, #8-32 | 4 |
| 8 | 34-06051-01 | Rivnut, #8-32 | 4 |
| 9 | 62-02255-00 | Decal, Voltage, 230 Volts | 1 |
| | 62-02255-02 | Decal, Voltage, 460 Volts | 1 |
| 10 | 62-03914-00 | Decal, Check Rotation | 1 |
| 11 | 34-06051-04 | Rivnut, #10-32 | 4 |
| 12 | 86-02882-00 | Box Assembly | 1 |
| 13 | 42-01162-00 | Gasket | 1 |
| 14 | 58-00660-00 | Washer, Plastic Drain | 2 |
| 15 | 22-02643-00 | Wire Harness | 1 |
| 16 | 22-01131-03 | Plug, Power, 230/3/60, 50A | 1 |
| | 22-01131-01 | Plug, Power, 460/3/60, 50A | 1 |

17 HARNESS



17 Harness

| Item | Part Number | Description | Qty |
|-------------|--------------------|---|------------|
| 1 | 22-60628-02 | Harness, Engine, Micro - Includes: | 1 |
| 2 | 22-50078-05SV | Connector, 3 Socket, Female - FS, SCS | 2 |
| 3 | 22-60358-00 | Adapter Harness - FS, SCS - Includes : | 2 |
| 4 | 22-50078-08SV | Connector, 3 Pin, Male | 1 |
| 5 | 22-50078-01SV | Connector, 2 Pin, Male | 1 |
| 6 | 22-50078-64SV | Connector, 1 Pin, Male - MP, SM | 3 |
| 7 | 22-02392-00SV | Connector, 2 Pin, Male - CDT, OP | 2 |
| 8 | 22-01585-00SV | Connector, 2 Socket, Female - HP, LP, DTT, OPS | 4 |
| 9 | 12-60004-00 | Diode/Resistor Module, Alternator | 1 |
| 10 | 22-02448-00SV | Transducer Connector, 3 Socket, Female - SPT | 1 |
| 11 | 22-50078-63SV | Connector, 1 Socket, Female - FP | 1 |
| 5 | 22-50078-01SV | Connector, 2 Pin, Male - HGS, 3-Way Valve, WTS | 3 |
| 12 | 22-50078-02SV | Connector, 2 Socket, Female - RAS, SAS | 2 |
| 2 | 22-50078-05SV | Connector, 3 Socket, Female - FAN HARNESS | 1 |
| 13 | 22-50098-06SV | Connector, 1 Socket, Female - SS | 1 |
| 14 | 22-60001-00 | Fan Harness - Includes: | 1 |
| 5 | 22-50078-01SV | Connector, 2 Pin, Male - EFM1, EFM2, EFM3 | 3 |
| 4 | 22-50078-08SV | Connector, 3 Pin, Male | 1 |
| 15 | 22-60030-00 | Harness, Info Start - Includes: | 1 |
| 11 | 22-50078-63SV | Connector, 1 Socket, Female | 1 |
| 16 | 22-60533-00 | Harness, Hot Gas Valve - Includes: | 1 |
| 5 | 22-50078-01SV | Connector, 2 Pin, Male | 1 |
| 12 | 22-50078-02SV | Connector, 2 Socket, Female | 1 |



18 Decals

| Item | Part Number | Description | Qty |
|-------------|--------------------|------------------------------|------------|
| 1 | 62-03896-00 | Decal, Door Closure Warning | 1 |
| 2 | 62-02140-00 | Decal, Action Line | 1 |
| 3 | 62-02509-00 | Decal, Beware of Fan | 3 |
| 4 | 62-01251-00 | Decal, Rotation | 1 |
| 5 | 62-02144-00 | Decal, Belt Rotation Danger | 2 |
| 6 | 62-03797-11 | Decal, R404A, Compressor Oil | 1 |
| 7 | 62-03897-00 | Decal, Belt Tension | 1 |

PART NUMBER INDEX

| PART NO. | PAGE NO. | PART NO. | PAGE NO. | PART NO. | PAGE NO |
|----------------|----------|---------------|------------------|---------------|---------|
| 04-00049-13 | 13 | 14-01042-08 | 11 | 22-50078-63SV | 31 |
| 04-60008-04 | 19 | 14-01110-01 | 11 | 22-50078-64SV | 31 |
| 04-60008-19 | 12, 19 | 14-60007-00 | 7 | 22-50098-06SV | 31 |
| 04-60008-32 | 13 | 14-60009-05 | 7 | 22-60001-00 | 31 |
| 08-01060-01 | 9 | 14-60026-01 | 11 | 22-60009-00 | 7, 9 |
| 08-60040-00 | 7 | 14-60036-00 | 9 | 22-60030-00 | 31 |
| 08-60058-07-SP | 7 | 14-60039-04 | 7 | 22-60102-08 | 27 |
| 08-60086-05-SP | 3,11 | 17-44719-00 | 13 | 22-60116-05 | 7 |
| 10-00286-04 | 23, 27 | 18-00063-05RM | 13 | 22-60137-00 | 9 |
| 10-00286-07 | 21 | 22-00398-00 | 3 | 22-60254-00 | 27 |
| 10-00302-00 | 21, 27 | 22-01049-00 | 3 | 22-60254-01 | 27 |
| 10-00375-01SV | 23 | 22-01100-00 | 7 | 22-60254-05 | 27 |
| 10-00385-02 | 23 | 22-01131-01 | 29 | 22-60254-06 | 23 |
| 10-00433-07 | 27 | 22-01131-03 | 29 | 22-60254-07 | 27 |
| 10-01129-15 | 23, 27 | 22-01132-01 | 29 | 22-60254-26 | 27 |
| 10-01129-16 | 23 | 22-01132-03 | 29 | 22-60254-29 | 27 |
| 10-60018-00 | 15 | 22-01528-00 | 15 | 22-60287-03 | 21 |
| 10-60044-14 | 27 | 22-01585-00SV | 11, 31 | 22-60300-01 | 27 |
| 10-60044-40 | 27 | 22-01605-00SV | 23 | 22-60300-22 | 27 |
| 12-00256-03 | 7 | 22-01605-01SV | 23 | 22-60340-04 | 23 |
| 12-00283-00 | 11 | 22-01613-18 | 9 | 22-60345-00 | 23 |
| 12-00299-13 | 11 | 22-01940-00 | 7 | 22-60355-01 | 21 |
| 12-00309-04 | 11 | 22-02336-01 | 1, 23 | 22-60358-00 | 31 |
| 12-00325-02 | 23 | 22-02336-02 | 1, 23 | 22-60405-00 | 11 |
| 12-00456-00 | 15, 17 | 22-02336-03 | 23, 27 | 22-60471-00 | 9 |
| 12-00460-01 | 23 | 22-02336-04 | 1, 23 | 22-60505-00 | 27 |
| 12-01039-08 | 5 | 22-02336-05 | 1, 21 | 22-60506-00 | 9 |
| 12-01145-03 | 15 | 22-02336-06 | 1, 23 | 22-60533-00 | 31 |
| 12-60004-00 | 31 | 22-02336-09 | 1 | 22-60628-02 | 31 |
| 12-60041-00 | 15 | 22-02336-50 | 23 | 22-60654-00 | 21 |
| 12-60044-02 | 27 | 22-02338-03 | 27 | 22-60664-00 | 23 |
| 12-60049-00 | 27 | 22-02392-00SV | 7, 11, 31 | 22-60665-00 | 23 |
| 14-00176-03 | 11 | 22-02448-00SV | 31 | 24-60008-02 | 9 |
| 14-00181-07 | 7 | 22-02579-00 | 11 | 24-60029-00 | 9 |
| 14-00205-00 | 10 | 22-02643-00 | 29 | 25-15003-01 | 9 |
| 14-00269-01 | 11 | 22-50078-01SV | 7, 9, 31 | 25-36676-00 | 9 |
| 14-00272-00 | 11 | 22-50078-02SV | 7, 11, 15, 31 | 26-60000-03 | 15 |
| 14-00326-00 | 1,11 | 22-50078-05SV | 31 | 30-00304-00 | 1, 17 |
| 14-00337-02 | 11 | 22-50078-08SV | 31 | 30-00325-00 | 17 |
| 14-01042-06 | 11 | | | 30-00397-00 | 3 |

PART NUMBER INDEX

| PART NO. | PAGE NO. | PART NO. | PAGE NO. | PART NO. | PAGE NO |
|---------------|----------|--------------|------------|-------------|---------|
| 30-00430-21 | 3 | 34-00873-25 | 13 | 34-60104-00 | 5 |
| 30-01052-03 | 15 | 34-00873-60 | 13 | 34-60168-00 | 13 |
| 30-01079-01 | 21 | 34-00873-80 | 13 | 38-60000-01 | 13 |
| 30-01080-02SV | 20 | 34-00873-90 | 13 | 38-60010-00 | 7 |
| 30-01080-20 | 1 | 34-00876-20 | 15 | 40-00123-01 | 17 |
| 30-01084-01 | 15 | 34-00876-30 | 20 | 40-00342-02 | 17 |
| 30-01090-05 | 1,21 | 34-00876-35 | 13 | 40-00343-03 | 17 |
| 30-01098-03 | 21 | 34-00890-00 | 13 | 40-00343-07 | 17 |
| 30-01098-09 | 21 | 34-00913-10 | 13 | 40-00410-00 | 3 |
| 30-01098-27 | 21 | 34-00917-12 | 29 | 40-01124-00 | 11 |
| 30-01098-30 | 21 | 34-00944-10 | 13 | 40-01170-02 | 21 |
| 30-01098-36 | 21 | 34-00945-10 | 13 | 40-01174-02 | 21 |
| 30-01098-37 | 21 | 34-00946-60 | 13 | 40-60000-00 | 15, 17 |
| 30-01098-40 | 21 | 34-00967-35 | 21 | 40-60008-01 | 7 |
| 30-01098-43 | 21 | 34-00996-06 | 25 | 40-60053-00 | 11 |
| 30-60018-00 | 15 | 34-00996-08 | 29 | 40-60064-00 | 21 |
| 30-60022-01 | 15 | 34-01152-20 | 11 | 40-60073-00 | 21 |
| 30-60046-01 | 3 | 34-01152-40 | 13 | 40-60008-02 | 11 |
| 30-60049-00 | 3 | 34-01184-55 | 21 | 40-60009-02 | 11 |
| 30-60049-20 | 1, 3 | 34-01184-56 | 13, 20 | 40-60150-00 | 15 |
| 30-60049-21 | 3 | 34-01184-58 | 13 | 40-60207-00 | 11 |
| 30-60049-22 | 3 | 34-01184-60 | 13 | 42-00032-00 | 7 |
| 30-60050-04 | 13, 19 | 34-01235-04 | 5 | 42-00243-07 | 11 |
| 30-60050-20 | 19 | 34-01249-20 | 13 | 42-00243-09 | 11 |
| 30-60050-21 | 19 | 34-01256-120 | 13 | 42-00243-10 | 7, 11 |
| 34-00302-14 | 11 | 34-01266-20 | 20 | 42-00243-17 | 23 |
| 34-00361-15 | 5 | 34-06051-01 | 29 | 42-00266-00 | 25 |
| 34-00363-13 | 13 | 34-06051-04 | 29 | 42-00288-00 | 11 |
| 34-00366-15 | 5 | 34-06051-107 | 21 | 42-01084-00 | 11 |
| 34-00368-12 | 13 | 34-06121-07 | 7 | 42-01157-00 | 29 |
| 34-00368-13 | 13 | 34-06126-08 | 25 | 42-01158-03 | 5 |
| 34-00373-03 | 20 | 34-60000-16 | 9 | 42-01162-00 | 29 |
| 34-00373-07 | 1 | 34-60002-05 | 20 | 42-60025-00 | 15 |
| 34-00373-11 | 1 | 34-60002-06 | 21 | 42-60037-00 | 23 |
| 34-00373-12 | 1 | 34-60002-08 | 13, 15, 21 | 42-60040-16 | 9 |
| 34-00373-51 | 1 | 34-60005-00 | 23 | 42-60040-22 | 15 |
| 34-00373-53 | 1 | 34-60021-00 | 4 | 42-60042-00 | 3 |
| 34-00615-10 | 13 | 34-60022-01 | 13 | 42-60051-00 | 9 |
| 34-00662-05 | 23, 25 | 34-60030-00 | 9 | 44-00045-03 | 3 |
| 34-00663-05 | 25 | 34-60064-00 | 13 | 44-00045-04 | 3 |

PART NUMBER INDEX

| PART NO. | PAGE NO. | PART NO. | PAGE NO. | PART NO. | PAGE NO |
|-------------|----------|---------------|----------|-------------|---------|
| 44-00045-25 | 21 | 48-60172-00 | 13 | 58-60112-01 | 5 |
| 44-00285-60 | 1 | 48-60173-00 | 13 | 58-60139-00 | 9 |
| 44-00285-61 | 1, 10 | 50-00179-54 | 1, 19 | 58-60201-00 | 15 |
| 44-00285-66 | 1 | 50-00179-56 | 1, 19 | 58-60247-00 | 4 |
| 44-00285-68 | 1 | 50-50050-03 | 15 | 58060249-02 | 5 |
| 44-00285-71 | 1 | 50-50052-00 | 15 | 58-60263-00 | 15 |
| 44-00285-73 | 1 | 50-60017-00 | 12 | 58-60290-03 | 5 |
| 44-00285-80 | 1, 11 | 50-60029-00 | 15 | 58-60306-12 | 4 |
| 44-00285-81 | 1, 11 | 50-60041-00 | 15 | 58-60307-00 | 5 |
| 44-00293-08 | 21 | 50-60156-01 | 12 | 58-60317-00 | 5 |
| 44-00356-00 | 23 | 50-60183-02 | 13 | 58-60325-00 | 5 |
| 44-01049-01 | 15 | 50-60197-04 | 1, 15 | 58-60344-00 | 3 |
| 44-01134-14 | 1, 11 | 50-60198-14 | 1, 19 | 62-01251-00 | 33 |
| 44-01139-01 | 1 | 54-00139-00 | 13 | 62-02140-00 | 33 |
| 44-01139-02 | 1 | 54-60006-13 | 7 | 62-02144-00 | 33 |
| 44-01142-00 | 1 | 54-60006-30SV | 7 | 62-02255-00 | 29 |
| 44-01143-01 | 1 | 54-60006-31 | 7 | 62-02255-02 | 29 |
| 44-01143-03 | 1, 21 | 54-60030-02 | 13 | 62-02509-00 | 33 |
| 44-01146-00 | 1 | 56-03642-00 | 15 | 62-03797-11 | 33 |
| 44-01163-00 | 5 | 56-60049-00 | 5 | 62-03896-00 | 33 |
| 44-60000-00 | 5 | 56-60557-00 | 9 | 62-03897-00 | 33 |
| 44-60000-01 | 5 | 56-60658-00 | 9 | 62-03905-00 | 5 |
| 44-60002-00 | 5 | 58-00065-66 | 7 | 62-03914-00 | 29 |
| 44-60010-00 | 5 | 58-00508-00 | 17 | 62-10354-00 | 5 |
| 44-60011-04 | 9 | 58-00511-08 | 29 | 62-60008-00 | 5 |
| 44-60013-00 | 15 | 58-00529-00 | 7 | 62-60009-02 | 23 |
| 44-60027-15 | 10 | 58-00659-00 | 21 | 62-60255-05 | 5 |
| 44-60042-08 | 9 | 58-00660-00 | 29 | 62-60273-02 | 9 |
| 44-60042-10 | 9 | 58-00743-00 | 3 | 62-60785-00 | 27 |
| 44-60044-01 | 5 | 58-00793-00 | 7 | 65-00168-22 | 11 |
| 48-60001-00 | 13 | 58-00836-11 | 5 | 65-00168-23 | 11 |
| 48-60010-03 | 13 | 58-01149-00 | 7 | 65-00168-24 | 11 |
| 48-60011-00 | 13 | 58-01296-00 | 7 | 65-01033-01 | 2 |
| 48-60013-00 | 9 | 58-01359-00 | 3 | 65-01033-02 | 2 |
| 48-60014-00 | 4 | 58-01360-00 | 3 | 65-60035-01 | 10 |
| 48-60018-00 | 9 | 58-04184-00 | 21 | 65-60036-02 | 11 |
| 48-60020-00 | 9 | 58-60012-01 | 5 | 67-01012-00 | 5 |
| 48-60125-01 | 15 | 58-60039-21 | 3 | 67-60023-00 | 7 |
| 48-60126-00 | 15 | 58-60065-05 | 9 | 67-60136-01 | 10 |
| 48-60127-00 | 15 | 58-60094-00 | 3 | 68-07142-01 | 7 |

PART NUMBER INDEX

| PART NO. | PAGE NO. | PART NO. | PAGE NO. | PART NO. | PAGE NO |
|-------------|----------|---------------|----------|---------------|---------|
| 68-07174-02 | 29 | 76-00343-00 | 2 | 82-60068-00 | 7 |
| 68-07238-00 | 5 | 76-00343-01 | 2 | 82-60069-00 | 11 |
| 68-07253-02 | 5 | 76-00382-00 | 3 | 86-02882-00 | 29 |
| 68-07311-02 | 15 | 76-00547-00 | 20 | 86-02963-00 | 15 |
| 68-07486-00 | 5 | 76-00550-00 | 2 | 86-02994-00 | 7 |
| 68-07814-02 | 5 | 76-50073-00 | 2 | 86-03047-00 | 7 |
| 68-07815-00 | 3 | 76-60716-00 | 2 | 86-03063-00 | 5 |
| 68-10745-01 | 7 | 76-60764-02 | 2 | 86-03071-00 | 9 |
| 68-60059-02 | 23 | 76-60764-05 | 2 | 86-60020-00 | 15 |
| 68-60296-00 | 7 | 76-60764-06 | 2 | 86-60066-03 | 21 |
| 68-60391-00 | 5 | 76-60798-05 | 2 | 86-60079-00 | 4 |
| 68-60464-00 | 5 | 76-60798-10 | 2 | 86-60091-01 | 15 |
| 68-60465-00 | 5 | 76-60798-15 | 2 | 86-60360-02 | 5 |
| 68-60495-00 | 23 | 76-60800-01 | 2, 17 | 86-60361-01 | 3 |
| 68-60503-00 | 5 | 76-60801-01 | 2 | 86-60365-01 | 13 |
| 68-60521-00 | 9 | 76-60802-00 | 15 | 86-60376-00 | 5 |
| 68-60522-00 | 9 | 76-60808-03 | 2, 21 | 86-60421-00 | 11 |
| 68-60525-00 | 5 | 76-60809-00 | 2, 5 | 86-60721-00 | 7 |
| 68-60569-00 | 5 | 76-60810-01 | 2 | 86-60727-01 | 5 |
| 68-60594-00 | 5 | 76-60810-02 | 2 | 86-60732-00 | 13 |
| 68-61741-00 | 13 | 76-60847-00 | 5 | 86-60822-00 | 13 |
| 68-61768-00 | 27 | 76-60876-01 | 2 | 86-60925-00 | 13 |
| 68-61890-00 | 7 | 76-61045-00 | 2 | 91-01096-03 | 23, 29 |
| 68-70174-00 | 11 | 79-02266-00 | 25 | 91-01096-05 | 23, 29 |
| 73-00096-02 | 13 | 79-60251-00 | 5 | 91-01146-51RP | 23, 25 |
| 73-00154-01 | 13 | 79-60323-00SK | 4 | 91-60166-01 | 23, 27 |
| 73-00154-03 | 13 | 79-60494-00 | 23 | 91-60206-42 | 23 |
| 73-00331-00 | 7 | 79-60509-00 | 23 | 91-60206-56 | 23 |
| 73-00332-00 | 15 | 79-60541-00 | 11 | 91-60206-57 | 23 |
| 73-00333-00 | 15 | 81-02597-00 | 7 | 91-60206-70 | 23 |
| 73-60005-00 | 15 | 81-60391-01 | 11 | 91-60206-71 | 23 |
| 73-60010-00 | 11 | 81-60428-00 | 11 | 91-60207-00 | 23, 27 |
| 73-60011-01 | 5 | 82-01007-00 | 11 | 941172 | 1, 15 |
| 73-60024-04 | 10 | | | | |

North America
Carrier Transicold
700 Olympic Drive
Athens, GA 30601 USA
Tel: 1-706-357-7223
Fax: 1-706-355-5435

**Central America
and Mexico**
Ejercito Nacional No. 418
Piso 9, Torre Yumal
Col. Chapultepec Morales
11570 Mexico, D.F.
Tel: (5255) 9126.0300
Fax: (5255) 9126.0373



Carrier

A United Technologies Company
Carrier Transicold Division,
Carrier Corporation
Truck/Trailer Products Group
P.O. Box 4805
Syracuse, N.Y. 13221 U.S.A.

www.carrier.transicold.com



A member of the United Technologies Corporation family. Stock symbol UTX
©2007 Carrier Corporation • Printed in U. S. A. 0207