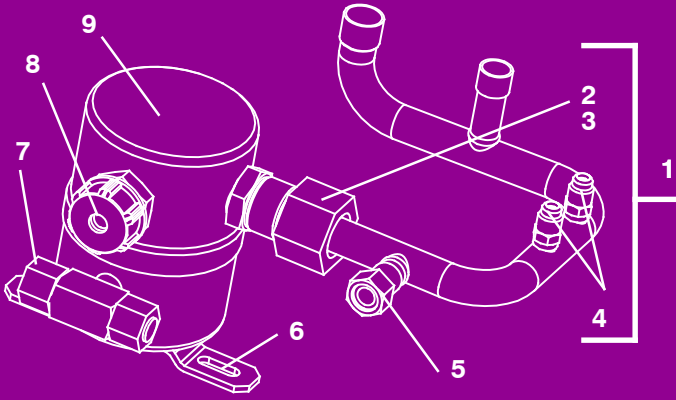




# Truck Refrigeration



## SERVICE PARTS LIST for **40X And 50X** **Direct Drive** Truck Refrigeration Units



**TRANSICOLD**

---

**SERVICE PARTS LIST FOR  
40X And 50X  
DIRECT DRIVE  
TRUCK REFRIGERATION UNITS**

## TABLE OF CONTENTS

PARAGRAPH NUMBER	Page
INTRODUCTION .....	ii
MODEL CHART .....	ii
ORDERING INSTRUCTIONS .....	ii
GENERAL NOTES .....	ii
1 QUICK LIST .....	1
1.1 QUICK LIST - CLUTCHES .....	1
1.2 QUICK LIST - CLUTCH COIL .....	1
1.3 QUICK LIST - COMPRESSORS .....	1
1.4 QUICK LIST - CONNECTORS .....	1
1.5 QUICK LIST - FILTERS .....	1
1.6 QUICK LIST - FUSES .....	1
1.7 QUICK LIST - HARNESES .....	2
1.8 QUICK LIST - OPTION KITS .....	2
1.9 QUICK LIST - SWITCHES, TRANSDUCERS AND THERMISTORS .....	2
1.10 QUICK LIST - HOSES .....	2
1.11 O-RING FACE SEAL FITTINGS AND O-RINGS .....	3
2 FRAME .....	4
3 SKINS/DECALS .....	5
4 CONDENSER .....	6
5 DISCHARGE ASSEMBLY .....	8
6 EVAPORATOR .....	10
6.1 EVAPORATOR - 40X - SKINS .....	10
6.2 EVAPORATOR - 40X - PIPING .....	12
6.3 EVAPORATOR - 50X - SKINS .....	14
6.4 EVAPORATOR - 50X - PIPING .....	16
6.5 EVAPORATOR - SBPV HARNESS .....	19
7 ELECTRICAL .....	20
7.1 ELECTRICAL - ROAD .....	20
7.2 ELECTRICAL - ROAD/STANDBY .....	22
7.2.1 ELECTRICAL - HARNESS .....	24
7.2.2 ELECTRICAL - STANDBY COMPRESSOR AND DISCHARGE LINE .....	26
7.2.3 ELECTRICAL - 230/1/60 VOLTAGE REGULATOR ASSEMBLY .....	28
7.2.4 ELECTRICAL - 230/3/60 VOLTAGE REGULATOR ASSEMBLY .....	30
7.2.5 ELECTRICAL - CONTROL BOX .....	32
7.3 ELECTRICAL - CAB COMMAND AND STANDBY POWER CONNECTORS .....	34
7.3.1 ELECTRICAL - START BOX ASSY, 230/1/60 .....	36
8 REFRIGERATION HOSES AND FITTINGS .....	38
9 SERVICE TOOLS .....	39
10 MOUNTING HARDWARE .....	40
PART NUMBER INDEX .....	Index-1

## INTRODUCTION

This parts list identifies service replacement parts for the Carrier Transicold Integra 40/50X refrigeration Units listed in the model chart below. This model is designed for low and medium temperature cooling, heating and defrost for truck application.

## MODEL CHART

Model No.		Refrigerant	Description
40X	50X		
8002308	8002316	R-404A	Road With Hot Gas Heat
8002249	8002325	R-404A	Road/Standby 230/1/60Hz W/ Hot Gas Heat
8002244	8002321	R-404A	Road/Standby 230/3/60Hz W/ Hot Gas Heat

**Table 1-1. Additional Support Manuals**

Manual Number	Equipment Covered	Type of Manual
62-11044	40/50X	Operation And Service Manual
62-11045	Truck Units With Cab Command Two	Operator's Manual
62-11046	Truck Units With Cab Command Two	Easy To Run Manual

## ORDERING INSTRUCTIONS

All orders and inquiries for parts must include:

SUnit Serial Number

SPart Number

SDescription of Part

S Quantity Required

Address all correspondence for parts to the following address:

CARRIER TRANSICOLD DIVISION  
 Replacement Components Group  
 TR-20, P.O. Box 4805  
 Syracuse, New York 13221  
 or  
 Fax to: (315) 432-3778

## GENERAL NOTES

To find replacement parts, consult Table of Contents and the Matrix Chart, and turn to the appropriate page for the illustrated breakdown of replacement parts.

The following letter designations are used to classify parts throughout this list:

A/R *As Required.*

NSA *Non-Stock Assembly* - order components listed under the assembly.

NSS *Not Sold Separately* - order next higher assembly or kit.

P-- *Suffix P--* added to the part number means the part is available in a packaged quantity only.  
 Example: P/N34-00373-01P10 is a package of 10 P/N34-00373-01.  
 Use the part number and the P-- suffix when ordering.

SST *Stainless Steel* - 300 Series unless otherwise specified.

SV *Suffix SV* - added to the part number designates service part replacement part.

**1 QUICK LIST****1.1 QUICK LIST - CLUTCHES**

<b>PART NO.</b>	<b>DESCRIPTION</b>
50-60135-00	CLUTCH ASSEMBLY, COMPRESSOR, 12V, 2A GROOVE
17-31252-00	CLUTCH ASSEMBLY, COMPRESSOR, 12V, VARIABLE A/B GROOVE
AC501-291	CLUTCH ASSEMBLY, COMPRESSOR, 12V, 8 GROOVE, POLY V

**1.2 QUICK LIST - CLUTCH COIL**

<b>PART NO.</b>	<b>DESCRIPTION</b>
17-31307-00	COIL, CLUTCH, 12V

**1.3 QUICK LIST - COMPRESSORS**

<b>PART NO.</b>	<b>DESCRIPTION</b>
18-00086-03	COMPRESSOR, STANDBY, 230/3/60
18-00086-06	COMPRESSOR, STANDBY, 230/1/60
108-1960SV	COMPRESSOR, ROAD, 2-A GROOVE, 12 V, TAB/EAR MOUNT
108-1961SV	COMPRESSOR, ROAD, 8 GROOVE POLY VEE, 12 V, TAB/EAR MOUNT
108-1962SV	COMPRESSOR, ROAD, VARIABLE A/B GROOVE, 12 V, TAB/EAR MOUNT
250-1501	REAR PORT ADAPTER, ROAD COMPRESSOR, HORIZONTAL
18-00084-90SV	COMPRESSOR, ROAD, TM16, 12V, 2A GROOVE, PAD/DIRECT MOUNT
18-00084-91SV	COMPRESSOR, ROAD, TM16, 12V, VARIABLE A/B GROOVE, PAD/DIRECT MOUNT
18-00084-92SV	COMPRESSOR, ROAD, TM16, 12V, 8 GROOVE, POLY V PAD/DIRECT MOUNT

**1.4 QUICK LIST - CONNECTORS**

<b>PART NO.</b>	<b>DESCRIPTION</b>
22-01585-00SV	CONNECTOR, FEMALE, 2 PIN
22-50078-02SV	CONNECTOR, FEMALE, 2 PIN
22-50078-03SV	CONNECTOR, FEMALE, 8 PIN
22-02392-00SV	CONNECTOR, MALE, 2 PIN
22-50078-01SV	CONNECTOR, MALE, 2 PIN
22-50078-04SV	CONNECTOR, MALE, 8 PIN
22-50078-72SV	CONNECTOR, MALE, 8 PIN
22-01613-25	CONNECTOR, PLUG, 12 SOCKET
22-01613-02	CONNECTOR, PLUG, 2 SOCKET
22-01613-10	CONNECTOR, PLUG, 4 PIN
22-01613-00	CONNECTOR, RECEPTACLE, 2 PIN
22-01613-08	CONNECTOR, RECEPTACLE, 4 PIN
22-50078-21	CONNECTOR, FEMALE, 1 PIN, M/P
22-60536-00SV	CONNECTOR, FEMALE, 56 WIRE

**1.5 QUICK LIST - FILTERS**

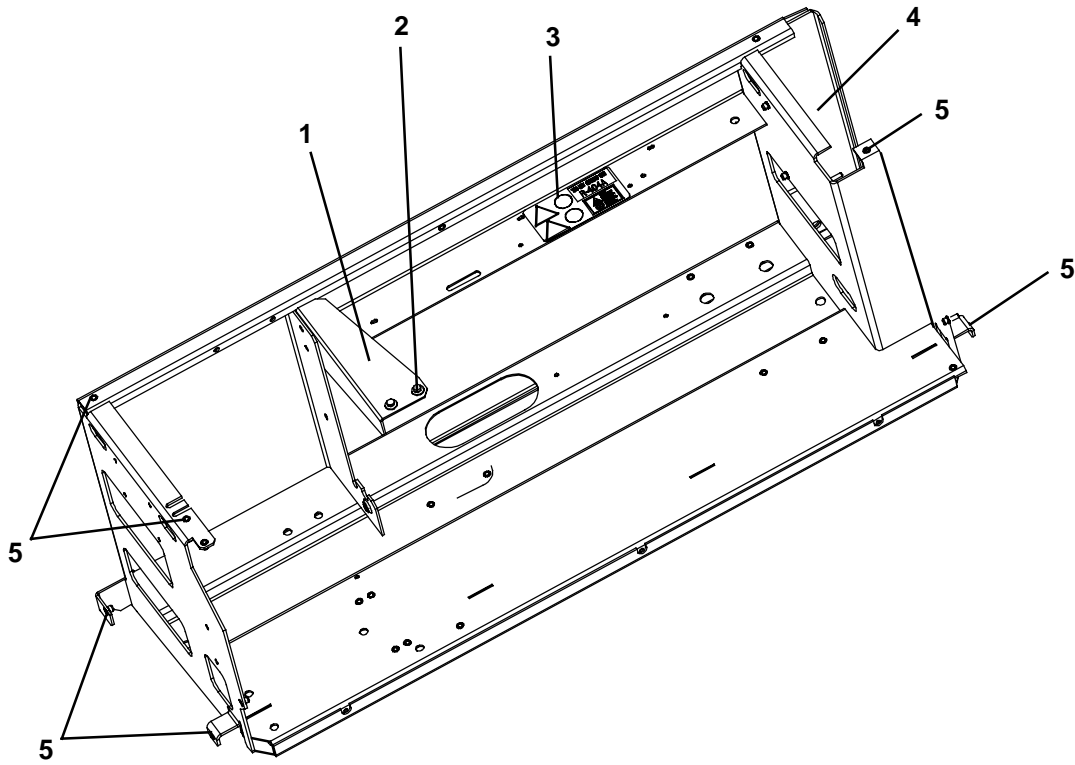
<b>PART NO.</b>	<b>DESCRIPTION</b>
14-00326-03	FILTER, DRIER (INCLUDES TWO 42-00243-09 O-RINGS)

<b>1.6 QUICK LIST - FUSES - Continued</b>				
12-00526-88	FUSE - 1A TIME DELAY			
22-60537-02	FUSE - 10 AMP			
22-02336-02	FUSE, JUNCTION BLOCK			
<b>1.7 QUICK LIST - HARNESSES</b>				
<b>PART NO.</b>	<b>DESCRIPTION</b>			
22-60538-04	HARNESS, CONTROL BOX (230/1/60)			
22-60538-03	HARNESS, CONTROL BOX (230/3/60)			
22-60520-01	HARNESS, MICROPROCESSOR			
22-60520-03	HARNESS, UNIT			
22-60568-01	HARNESS, START BOX (230/1/60)			
22-60551-04	CABLE ASSEMBLY, CAB COMMAND, 10M (32.8 FT)			
22-60551-05	CABLE ASSEMBLY, CAB COMMAND, 13M (42.6 FT)			
22-60551-07	CABLE ASSEMBLY, CAB COMMAND, 16M (52.5 FT)			
22-60419-00	HARNESS, QUENCH VALVE			
22-60793-01	HARNESS, SBPV, <b>50X ONLY</b>			
<b>1.8 QUICK LIST - OPTION KITS</b>				
<b>PART NO.</b>	<b>DESCRIPTION</b>			
76-60891-00	EVAPORATOR DRAIN HEATER KIT			
76-61019-01	REMOTE EVAPORATOR EXTENSION KIT, 3M (9.8 FT)			
76-61019-00	REMOTE EVAPORATOR EXTENSION KIT, 6M (19 FT)			
76-61093-00	O-RING KIT, DIRECT DRIVE TRUCK			
<b>1.9 QUICK LIST - SWITCHES, TRANSDUCERS AND THERMISTORS</b>				
<b>PART NO.</b>	<b>DESCRIPTION</b>			
22-60167-01	SENSOR, TEMPERATURE			
14-60055-00	SWITCH, DEFROST TERMINATION			
12-60032-02	SWITCH, HIGH PRESSURE ( <b>HP1</b> )			
12-60032-03	SWITCH, CONDENSER PRESSURE CONTROL ( <b>HP2</b> )			
12-60032-04	SWITCH, STANDBY HIGH PRESSURE ( <b>HP3</b> )			
12-60015-04	SWITCH, LOW PRESSURE ( <b>LP</b> )			
12-60032-09	SWITCH, HIGH AMBIENT PRESSURE ( <b>HP4</b> ) - <b>50X ONLY</b>			
12-00507-00	THERMOSTAT, QUENCH			
<b>1.10 QUICK LIST - HOSES</b>				
<b>PART NO.</b>	<b>DESCRIPTION (SOLD IN 50' ROLLS)</b>			
58-60115-02F50	HOSE, REFRIGERANT, #6			
58-60115-03F50	HOSE, REFRIGERANT, #8			
58-60115-04F50	HOSE, REFRIGERANT, #10			
58-60115-05F50	HOSE, REFRIGERANT, #12			
<b>1.11 O-RING FACE SEAL FITTINGS AND O-RINGS</b>				
<b>TUBE SIZE - OD</b>	<b>SLEEVE P/N</b>	<b>NUT P/N</b>	<b>O-RING P/N</b>	<b>MALE ORS FITTING</b>
1/4"	40-60008-01	40-60009-01	42-00243-10	40-60007-01
3/8"	40-60008-02	40-60009-02	42-00243-09	40-60007-02
1/2"	40-60008-03	40-60009-03	42-00243-04	40-60007-03
5/8"	40-60008-04	40-60009-04	42-00243-03	40-60007-04
3/4"	40-60008-05	40-60009-05	42-00243-11	40-60007-05

**1.11 O-RING FACE SEAL FITTINGS AND O-RINGS**

<b>TUBE SIZE - OD</b>	<b>SLEEVE P/N</b>	<b>NUT P/N</b>	<b>O-RING P/N</b>	<b>MALE ORS FITTING</b>
1/4"	40-60008-01	40-60009-01	42-00243-10	40-60007-01
3/8"	40-60008-02	40-60009-02	42-00243-09	40-60007-02
1/2"	40-60008-03	40-60009-03	42-00243-04	40-60007-03
5/8"	40-60008-04	40-60009-04	42-00243-03	40-60007-04
3/4"	40-60008-05	40-60009-05	42-00243-11	40-60007-05

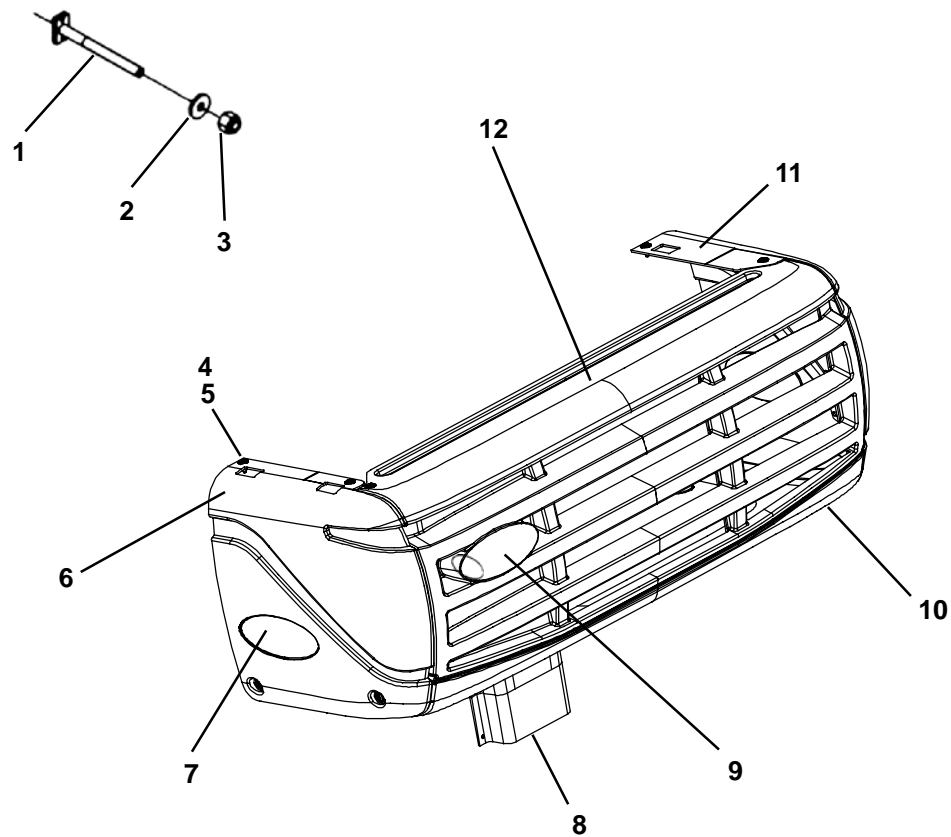
## 2 FRAME



Item	Part Number	Description	Qty
1	67-60120-00	BRACKET, TOP	1
2	34-60068-20	SCREW, HEX HEAD M6 X 20 MM	2
3	62-61335-00	DECAL, CAUTION, R404a	1
4	86-60650-01	FRAME ASSY	1
5	34-06041-134	RIVNUT, M6 X 1	A/R

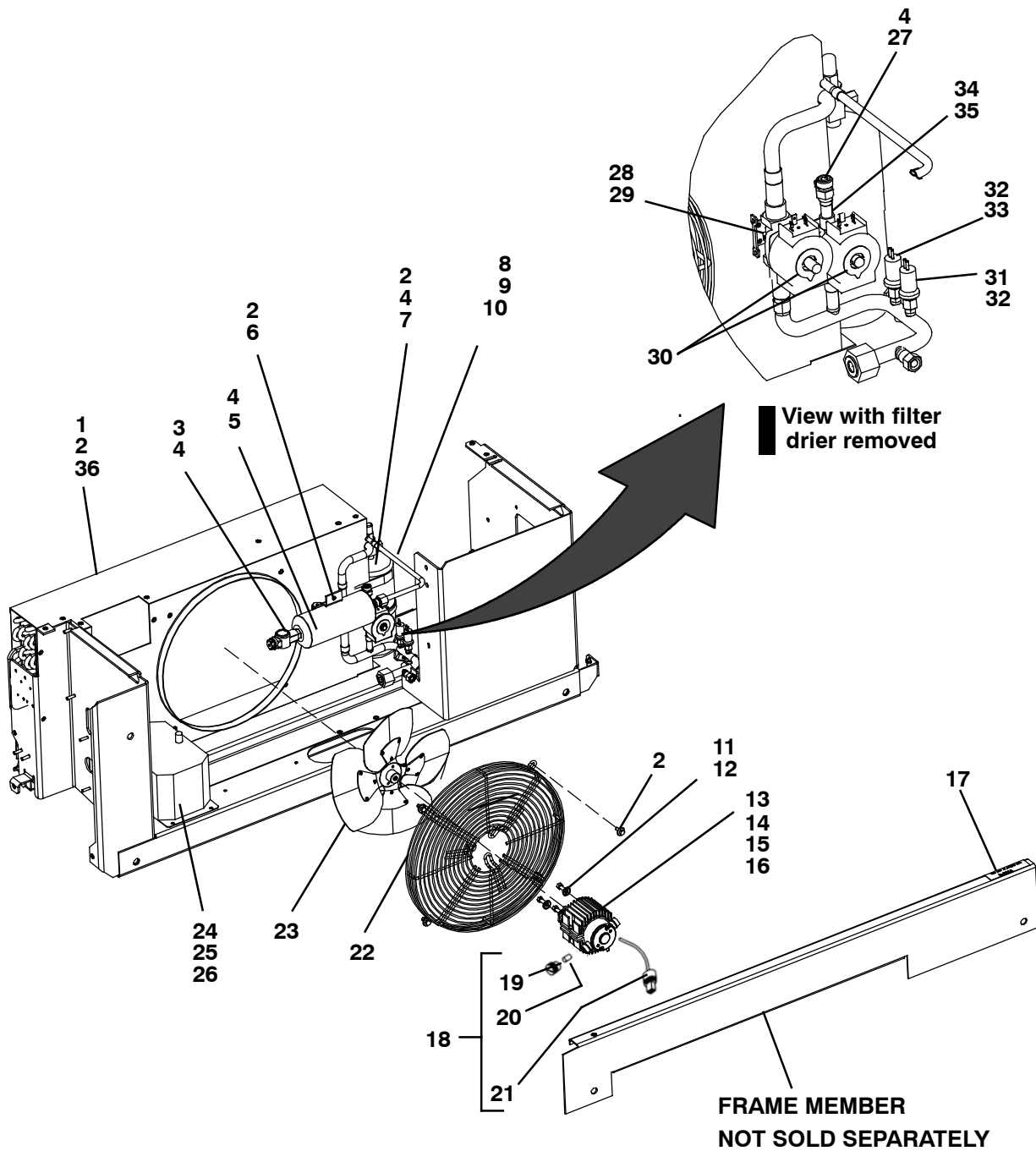


### 3 SKINS/DECALS



Item	Part Number	Description	Qty
1	34-60014-02	BOLT, T-HEAD, M14 X 165MM	4
2	34-01249-29	WASHER, SPACER, M14 X 30MM	4
3	34-01184-64	NUT, LOCK, M14	4
4	34-60044-00	SCREW, PAN HEAD TORX M6 X 20MM	20
5	58-60306-06	WASHER, NYLON, M6 X 18MM	20
6	58-60476-00	PANEL, CURBSIDE	1
7	62-04069-04	DECAL, LOGO, 40X	2
	62-04069-05	DECAL, LOGO, 50X	
8	58-60471-00	COVER, HOSE	1
9	62-60390-03	DECAL, CARRIER	1
10	58-60473-00	PANEL, BOTTOM	1
11	58-60475-00	PANEL, ROADSIDE	1
12	79-60533-00	PANEL, FRONT	1

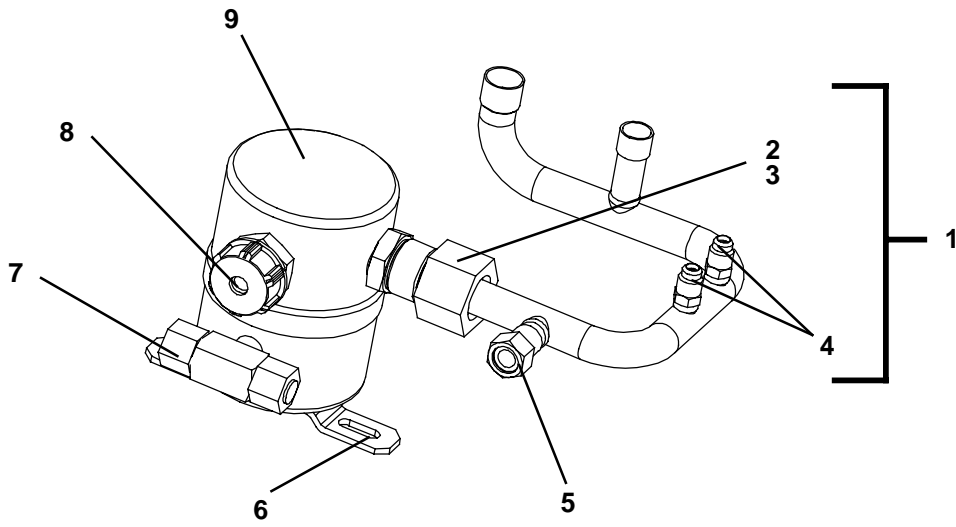
# 4 CONDENSER



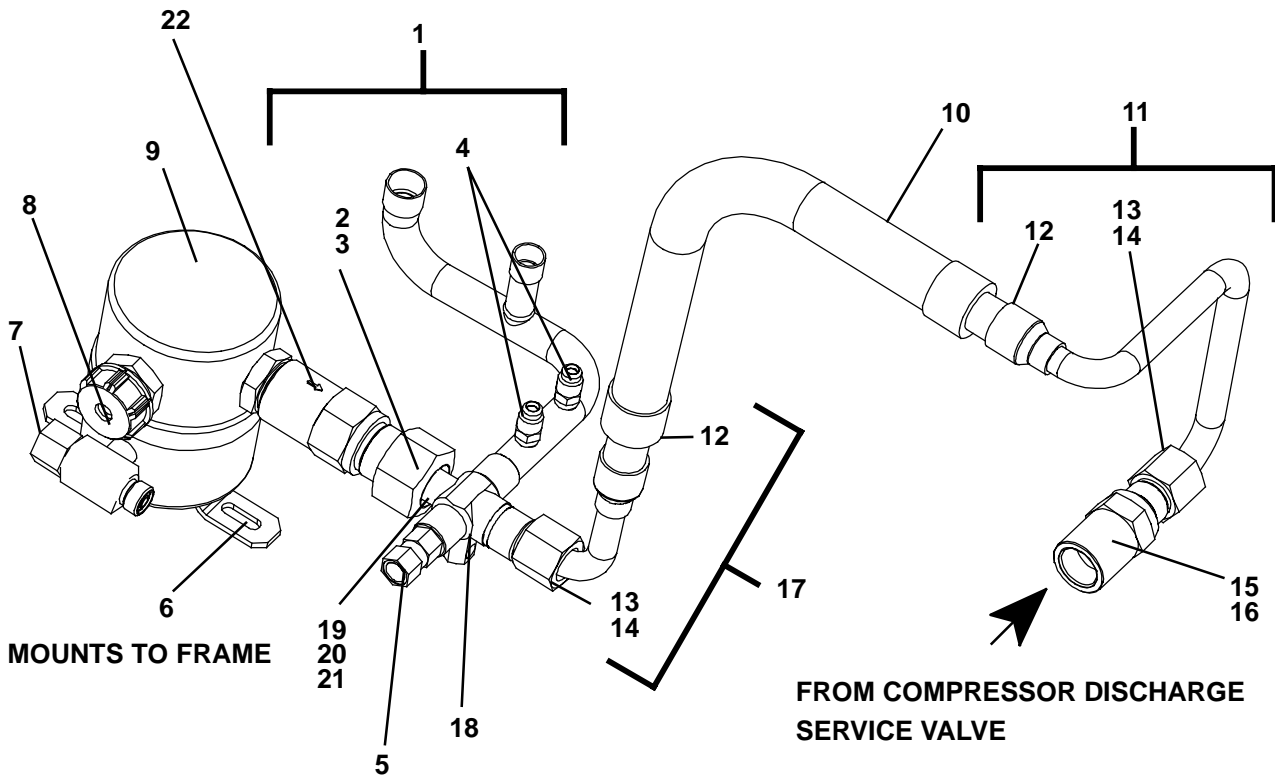
**NOTE:** The condenser coil's tubesheet housing may have M6 rivnuts for round holes (34-06051-104), or M6 rivnuts for hexagonal holes (34-60112-02). They are not interchangeable as the hex rivnuts require a hex (6 sided) hole. Please order rivnuts according to what style rivnuts your coil has.

<b>4 CONDENSER</b>			
<b>Item</b>	<b>Part Number</b>	<b>Description</b>	<b>Qty</b>
1	08-60168-00	COIL, CONDENSER	1
2	34-60068-20	SCREW M6 X 20MM	10
3	14-01092-06	SIGHT GLASS/MOISTURE INDICATOR - INCLUDES:	1
4	42-00243-09	O-RING	1
5	14-00326-03	FILTER DRIER - INCLUDES:	1
4	42-00243-09	O-RING	2
6	68-70037-00	BRACKET, DRIER	1
7	65-60056-00	RECEIVER	1
4	42-00243-09	O-RING	1
8	82-60053-00	TUBE, DRIER INLET - INCLUDES:	1
9	40-60009-02	NUT	1
10	40-60008-02	SLEEVE	1
11	34-60001-20	SCREW, CAP HXHD M7 X 20MM	3
12	34-60095-29	WASHER, LOCK M7 X 18MM	3
13	48-60237-00	HEAT SINK, FAN MOTOR	2
14	34-60000-25	SCREW, CAP HXHD M5 X 25MM	2
15	34-60095-25	WASHER, LOCK M5 X 12MM	2
16	34-60089-05	NUT, LOCK M5	2
17	62-60063-00	DECAL R404A	1
18	54-60006-10	MOTOR, DC 12V - INCLUDES:	1
19	54-60006-31	BRUSH CAP	2
20	54-60006-30SV	BRUSH/CAP SERVICE KIT	2
21	22-50078-02SV	CONNECTOR ( MATES WITH 22-50078-01SV )	1
22	73-60049-00	GRILLE, FAN, CONDENSER	1
23	38-00550-00	FAN, CONDENSER	1
24	10-00423-00	TRANSFORMER (230/3/60) - INCLUDES:	2
25	22-01613-25	CONNECTOR, 12 WIRE ( MATES WITH 22-01613-23 )	1
26	22-01613-02	CONNECTOR, 2 WIRE ( MATES WITH 22-01613-00 )	1
24	10-00440-00	TRANSFORMER (230/1/60) - INCLUDES:	2
25	22-01613-16SK	CONNECTOR, 6 WIRE ( MATES WITH 22-01613-18 )	1
26	22-01613-02	CONNECTOR, 2 WIRE ( MATES WITH 22-01613-00 )	1
27	40-60007-02	FITTING, MALE, ORS, 3/8"	1
28	14-00332-01	VALVE, SOLENOID, COND. PRESSURE CONTROL <b>(HGS2)</b> W/O COIL	1
29	14-00276-10	REPAIR KIT, SOLENOID VALVE	1
30	22-60268-00	COIL 12V, SOLENOID VALVE	2
31	12-60032-03	SWITCH, CONDENSER PRESSURE CONTROL <b>(HP2)</b> - INCLUDES:	1
32	22-50078-01SV	CONNECTOR, 2 WAYS ( MATES WITH 22-50078-02SV )	1
33	12-60032-02	SWITCH, HIGH PRESSURE <b>(HP1)</b> - INCLUDES:	1
32	22-50078-01SV	CONNECTOR, 2 WAYS ( MATES WITH 22-50078-02SV )	1
34	14-00333-00	VALVE, SOLENOID, HOT GAS <b>(HGS1)</b>	1
35	14-60062-10	REPAIR KIT, SOLENOID VALVE	1
36	34-06051-104	RIVNUT, M6, ROUND HOLE	A/R
	34-60112-02	RIVNUT, M6, HEXAGONAL HOLE	

**5 DISCHARGE ASSEMBLY**



**ROAD**



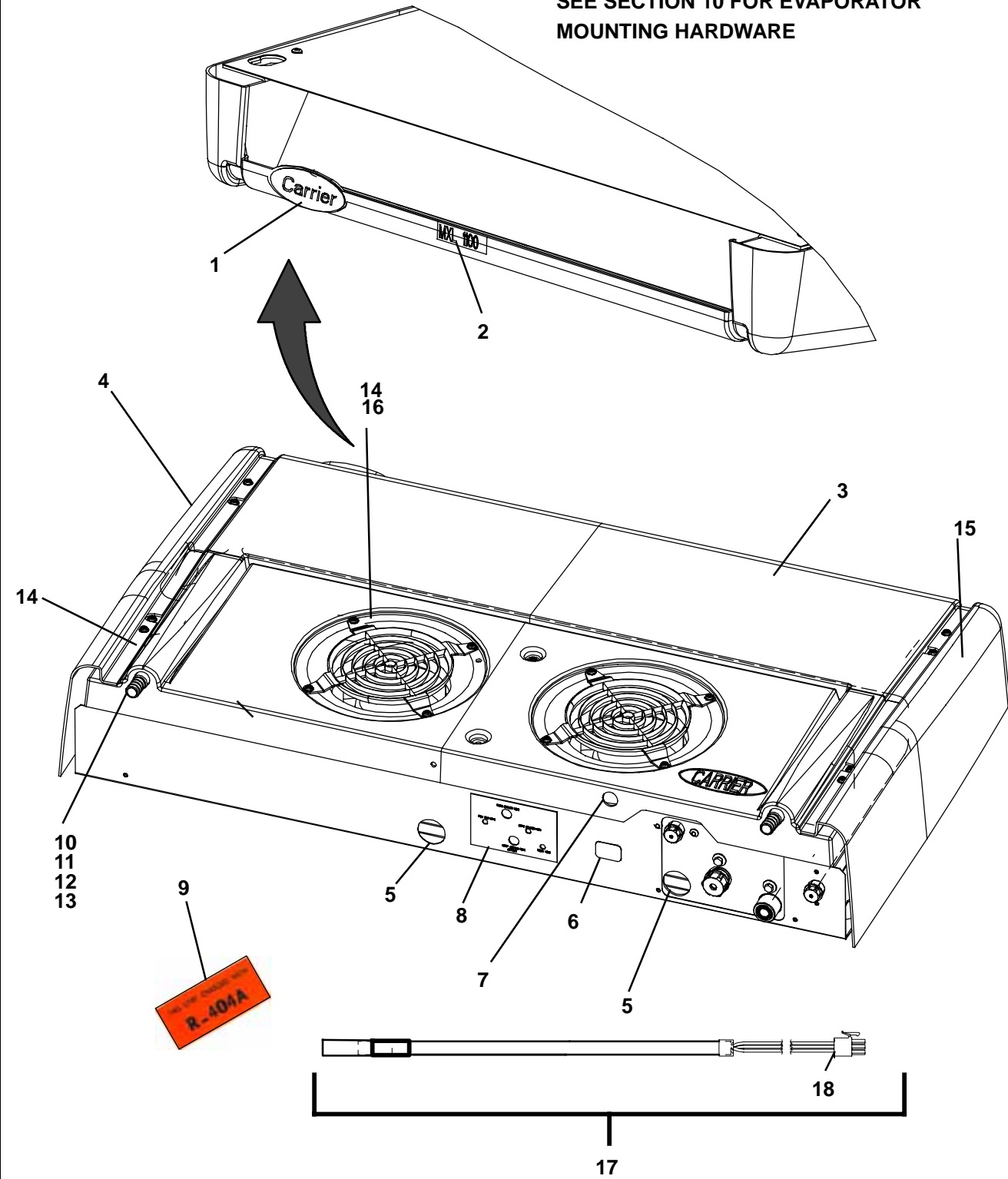
**ROAD / STANDBY**

<b>5 DISCHARGE ASSEMBLY</b>			
<b>Item</b>	<b>Part Number</b>	<b>Description</b>	<b>Qty</b>
1	81-60557-00	DISCH. LINE ASY ROAD/STANDBY ONLY - INCLUDES:	1
	81-60556-00	DISCH. LINE ASY - ROAD ONLY - INCLUDES:	
2	40-60009-04	NUT, ORS	2
3	40-60008-04	SLEEVE, ORS, 5/8"	2
4	40-60159-00	FITTING, SCHRAEDER, 1/4"	2
5	14-00272-01	VALVE, RELIEF	1
6	34-60068-20	SCREW, HEX HEAD, M6 X 20MM	2
7	42-00243-10	O-RING, 1/4"	2
8	42-00243-03	O-RING, 5/8"	2
9	65-60057-00	OIL SEPARATOR	2
10	73-60035-02	VIBRABSORBER	1
11	81-60573-00	DISCHARGE LINE ASSY, 1/2" O.D., UPPER, <b>230/1/60</b> - INCLUDES:	1
	81-60611-00	DISCHARGE LINE ASSY, 1/2" O.D., UPPER, <b>230/3/60</b> - INCLUDES:	
12	40-00130-11	REDUCER, 3/4 X 1/2 ODS	1
13	40-60008-03	SLEEVE, ORS, 1/2"	1
14	40-60009-03	NUT, ORS	1
15	42-00243-04	O-RING, 1/2" <b>(ROAD/STANDBY ONLY)</b>	1
16	14-00286-02	CHECK VALVE, 1/2" - <b>ON COMPRESSOR - (ROAD/STANDBY ONLY)</b>	1
17	81-60572-00	DISCHARGE LINE ASSY, 1/2" O.D., LOWER, <b>230/1/60</b> - INCLUDES:	1
	81-60571-00	DISCHARGE LINE ASSY, 1/2" O.D., LOWER, <b>230/3/60</b> - INCLUDES:	
13	40-60008-03	SLEEVE, ORS, 1/2"	1
14	40-60009-03	NUT, ORS	1
12	40-00130-11	REDUCER, 3/4 X 1/2 ODS	1
18	40-60202-00	BODY, DISCHARGE VALVE	1
19	34-01152-35	SCREW, CAP HXHD M6 X 35MM <b>(ROAD/STANDBY ONLY)</b>	1
20	34-60095-27	WASHER, LOCK M6 X 14MM <b>(ROAD/STANDBY ONLY)</b>	1
21	34-60089-06	NUT, LOCK M6 <b>(ROAD/STANDBY ONLY)</b>	1
22	14-00286-03	CHECK VALVE, 5/8" <b>(ROAD/STANDBY ONLY)</b>	1

# 6 EVAPORATOR

## 6.1 EVAPORATOR - 40X - SKINS

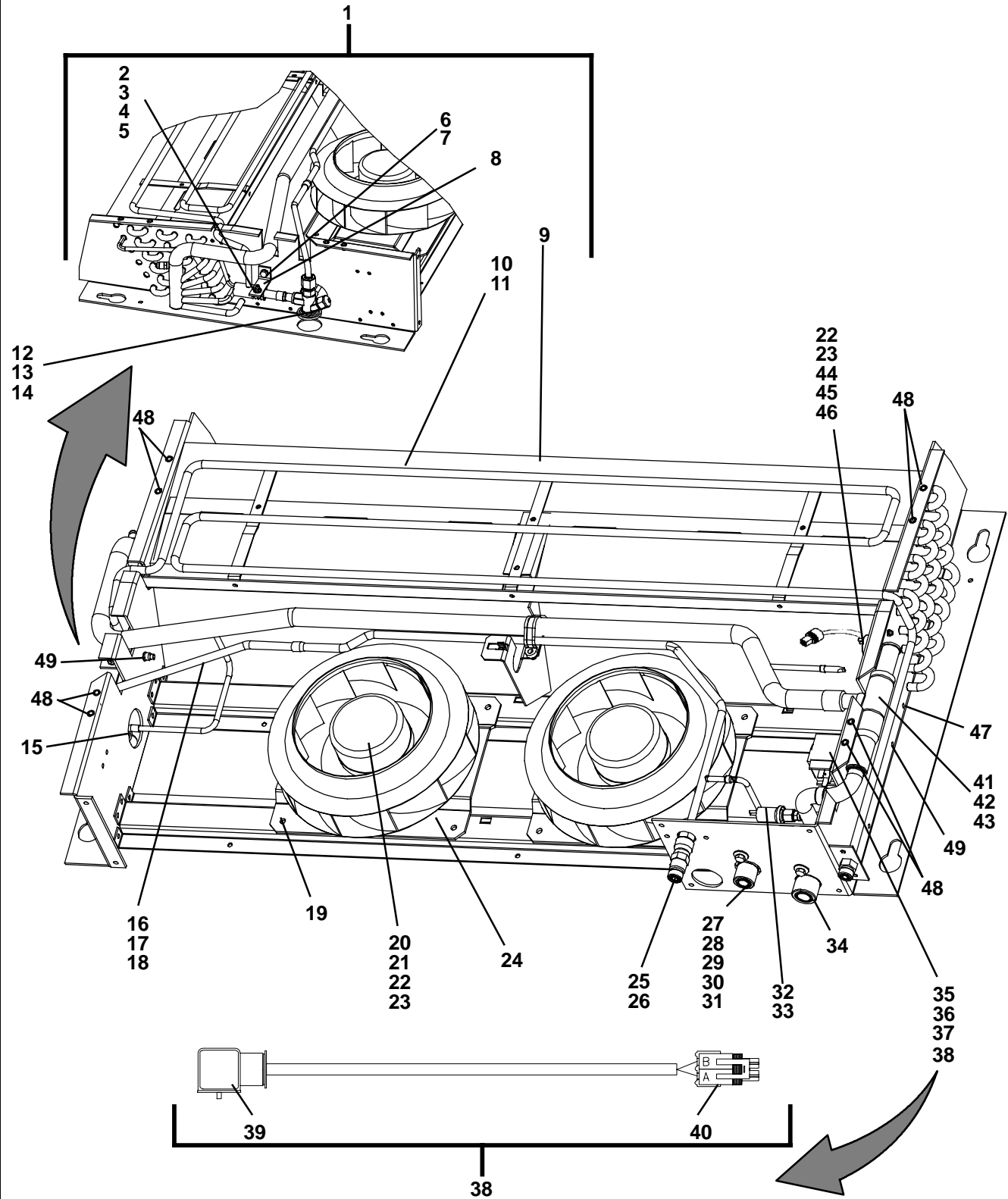
SEE SECTION 10 FOR EVAPORATOR MOUNTING HARDWARE



**6.1 EVAPORATOR - 40X - SKINS**

Item	Part Number	Description	Qty
1	62-60390-02	DECAL, CARRIER	1
2	62-61446-08	DECAL, MXL 1100	1
3	58-60461-00	SKIN, BOTTOM	1
4	58-60335-01	SKIN	1
5	58-60298-04	GROMMET, TAP	2
6	62-60870-00	DECAL, 12V	1
7	58-60298-02	GROMMET	1
8	62-60774-00	DECAL, REFRIGERATION TUBE LEGEND	1
9	62-60063-00	DECAL, R404A	1
10	58-60401-00	NUT, DRAIN FITTING, M20 X 1.5	2
11	58-60399-00	FITTING, WATER DRAIN	1
12	42-60042-01	GASKET, DRAIN FITTING	2
13	58-60400-04	HOSE, WATER, 5/8" I.D. X 6M (19.7 FT)	A/R
14	34-60198-16	SCREW, M5 X 16MM	17
15	58-60336-01	SKIN	1
16	58-60485-00	GRILLE, EVAP	2
17	22-60167-01	SENSOR ASSY, RAS	1
18	22-50078-02SV	CONNECTOR ( MATES WITH 22-50078-01SV )	1

## 6.2 EVAPORATOR - 40X - PIPING



**NOTE:** The evaporator coil's tubesheet housing may have rivnuts for round holes (34-06051-xx), or rivnuts for hexagonal holes (34-60112-xx). They are not interchangeable as the hex rivnuts require a hex (6 sided) hole. Please order rivnuts according to what style rivnuts your coil has.

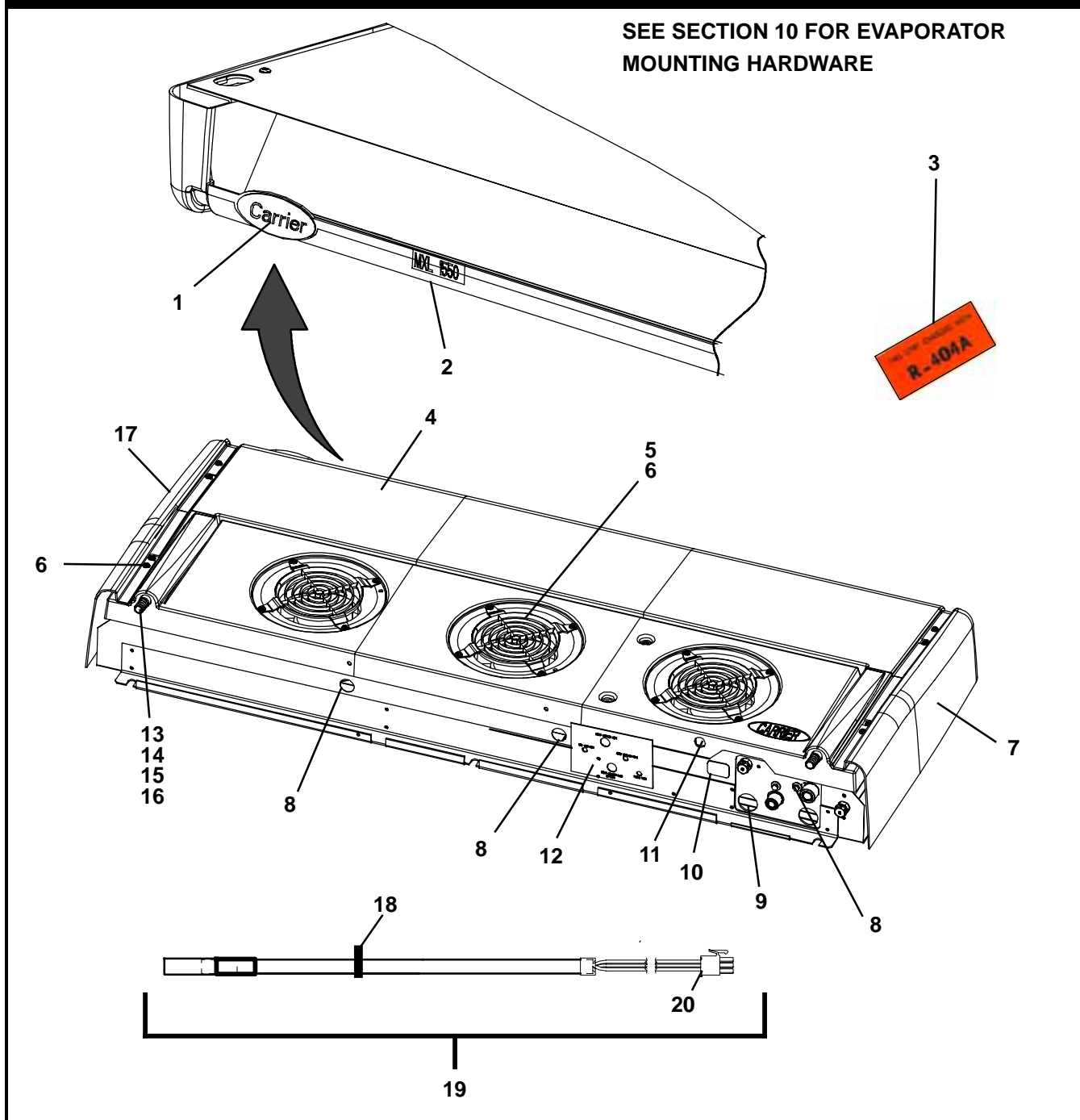


<b>6.2 EVAPORATOR - 40X - PIPING</b>			
<b>Item</b>	<b>Part Number</b>	<b>Description</b>	<b>Qty</b>
1	79-60618-00	EVAPORATOR ASSY - INCLUDES:	1
2	34-01184-05	NUT, LOCK, M5	1
3	44-60041-14	CLAMP	1
4	34-60000-16	SCREW, CAP HXHD M5X16	2
5	34-60095-25	WASHER, LOCK M5X12	1
6	34-60095-27	WASHER, LOCK M6X14	1
7	34-01152-20	SCREW, CAP HXHD M6X20	1
8	68-60651-00	BRACKET, EXPANSION VALVE	1
9	<b>NSS</b>	COIL, EVAPORATOR	1
10	81-60384-00	TUBE, DEFROST - INCLUDES:	1
11	40-60007-02	FITTING, #6 ORS X 3/8 TUBE	1
12	14-60039-03	VALVE, EXPANSION (TXV)	1
13	14-60009-04	ORIFICE, TXV, #4, BRAZED ON	1
14	58-01284-00	TUBE, HEAT SHRINK	1
15	58-60302-07	GROMMET	1
16	81-60119-01	TUBE ASSY, LIQUID LINE TO TXV - INCLUDES:	1
17	40-60165-00	FITTING, TXV, 3/8"	1
18	40-60170-02	NUT, FLARE, 3/8"	1
19	34-60068-20	SCREW, M6 X 20MM	7
20	54-00554-00	FAN AND MOTOR 12V	2
21	22-01613-08	CONNECTOR ( MATES WITH 22-01613-10 )	1
22	34-01197-10	SCREW, CAP HXHD M4 X 10MM	10
23	34-60095-24	WASHER, LOCK, M4 X 10MM	10
24	68-60672-00	BRACKET, FAN MOTOR	2
25	42-00243-09	O-RING, 3/8"	2
26	14-00286-00	CHECK VALVE, LIQUID LINE	1
27	<b>NSA</b>	TUBE ASSY, SUCTION EXIT - INCLUDES:	1
28	40-60169-05	FITTING, #10 ORS X 5/8" TUBE	1
29	40-60169-06	FITTING, #12 ORS X 3/4" TUBE	1
30	40-60159-00	FITTING, 1/4 SCHRADER	1
31	42-00243-03	O-RING, 5/8	1
32	12-60015-04	LOW PRESSURE SWITCH (LP)- INCLUDES:	1
33	22-02392-00SV	CONNECTOR 2 WAYS ( MATES WITH 22-01585-00SV )	1
34	42-00243-11	O-RING, 3/4	2
35	14-00329-01	QUENCH VALVE (BPV)	1
36	22-60405-00	COIL, QUENCH VALVE, 12V	1
37	12-00507-00	THERMOSTAT, QUENCH VALVE (BPT)	1
38	22-60419-00	HARNESS, QUENCH VALVE - INCLUDES:	1
39	22-60068-00	CONNECTOR, COIL	1
40	22-01585-00SV	CONNECTOR, 2 WIRE (MATES WITH 22-02392-00SV)	1
41	34-60068-20	SCREW, M6X20	11
42	14-60000-03	VALVE, CPR WITH SCHRAEDER	1
43	44-60044-13	CLAMP, 1 1/4"	1
44	14-60055-00	THERMOSTAT, DEFROST - INCLUDES:	1
45	12-00256-03	DEFROST THERMOSTAT (DTT)	1
46	22-50078-01SV	CONNECTOR, 2 WAYS (MATES WITH 22-01585-00SV)	1

### 6.2 EVAPORATOR - 40X - PIPING - Continued

Item	Part Number	Description	Qty
47	34-06051-131	RIVNUT, M4, ROUND HOLE	2
	34-60112-50	RIVNUT, M4, HEXAGONAL HOLE	
48	34-06051-132	RIVNUT, M5, ROUND HOLE	8
	34-60112-51	RIVNUT, M5, HEXAGONAL HOLE	
49	34-06051-134	RIVNUT, M6, ROUND HOLE	2
	34-60112-52	RIVNUT, M6, HEXAGONAL HOLE	

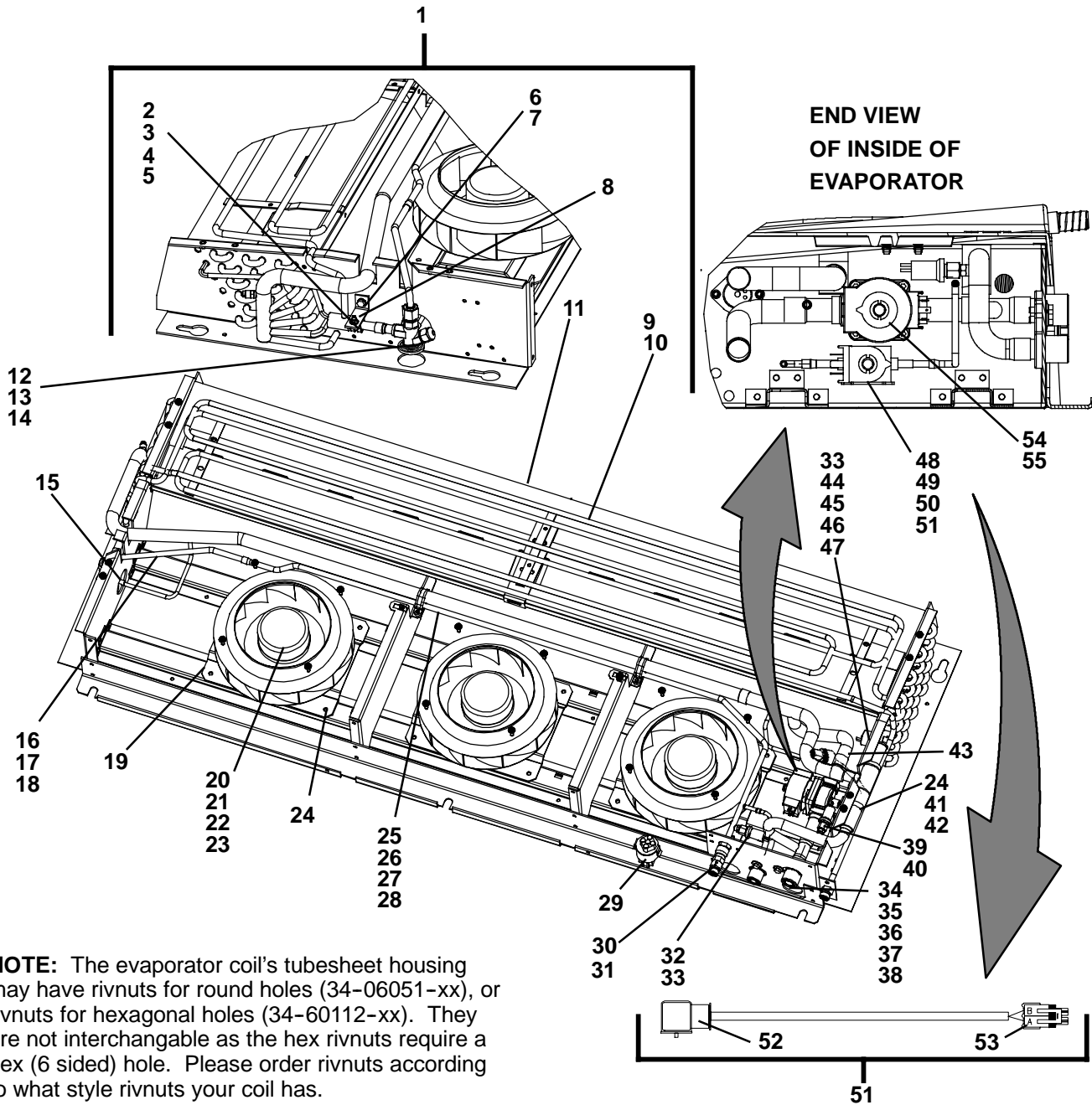
### 6.3 EVAPORATOR - 50X - SKINS



**6.3 EVAPORATOR - 50X - SKINS**

Item	Part Number	Description	Qty
1	62-60390-02	DECAL, CARRIER	1
2	62-61446-09	DECAL, MXL 1550	1
3	62-60063-00	DECAL, R404A	1
4	58-60431-01	SKIN, BOTTOM	1
5	58-60485-00	GRILLE, EVAP	3
6	34-60198-16	SCREW, M5 X 16MM	22
7	58-60335-01	SKIN, CURB SIDE	1
8	58-60298-03	GROMMET	2
9	58-60298-04	GROMMET	1
10	62-60870-00	DECAL, 12V	1
11	58-60298-02	GROMMET	1
12	62-60774-00	DECAL, REFRIGERATION TUBE LEGEND	1
13	58-60399-00	FITTING, WATER DRAIN	2
14	58-60400-04	HOSE, WATER, 5/8" I.D. X 6M (19.7 FT)	A/R
15	58-60401-00	NUT, DRAIN FITTING, M20 X 1.5	2
16	42-60042-01	GASKET, DRAIN FITTING	2
17	58-60336-01	SKIN, RAOD SIDE	1
18	34-00373-50	CLAMP, TUBE	1
19	22-60167-01	SENSOR ASSY, RAS	1
20	22-50078-02SV	CONNECTOR ( MATES WITH 22-50078-01SV )	1

## 6.4 EVAPORATOR - 50X - PIPING



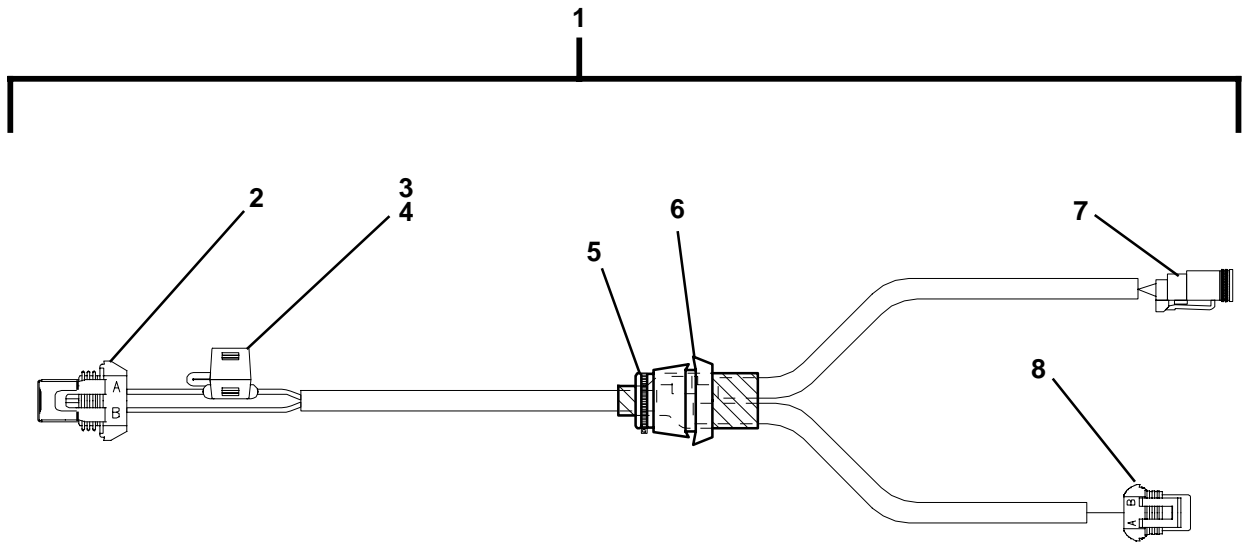
Item	Part Number	Description	Qty
1	79-60630-00	EVAPORATOR ASSY - INCLUDES:	1
2	44-60041-14	CLAMP	1
3	34-01184-05	NUT, LOCK, M5	1
4	34-60000-16	SCREW, CAP HXHD M5X16	3
5	34-60095-25	WASHER, LOCK M5X12	1
6	34-60095-27	WASHER, LOCK M6X14	1
7	34-01152-20	SCREW, CAP HXHD M6X20	1
8	68-60651-00	BRACKET, EXPANSION VALVE	1
9	81-60324-00	TUBE, DEFROST - INCLUDES:	1
10	40-60007-02	FITTING, ORS, MALE, 3/8" TUBE	1
11	<b>NSS</b>	COIL, EVAPORATOR	1

<b>6.4 EVAPORATOR - 50X - PIPING</b>			
<b>Item</b>	<b>Part Number</b>	<b>Description</b>	<b>Qty</b>
12	14-60039-03	VALVE, EXPANSION (TXV)	1
13	14-60009-04	ORIFICE, TXV, #4, BRAZED ON	1
14	58-01284-00	TUBE, HEAT SHRINK	1
15	58-60302-07	GROMMET	1
16	81-60119-01	TUBE ASSY, LIQUID LINE TO TXV	1
17	40-60165-00	FITTING, EXPANSION VALVE	1
18	40-60170-02	NUT, FLARE, 3/8"	1
19	68-60672-00	BRACKET, FAN MOTOR	3
20	54-00554-00	FAN AND MOTOR 12V - INCLUDES:	3
21	22-01613-08	CONNECTOR ( MATES WITH 22-01613-10 )	1
22	34-00945-04	WASHER, LOCK M4	12
23	48-60189-01	SPACER	12
24	34-60068-20	SCREW, M6X20	15
25	81-60613-00	TUBE ASSY, LIQUID LINE - INCLUDES:	1
26	40-60007-02	CONNECTOR, ODS, MALE, 3/8" O.D. TUBE	1
27	68-60990-00	BRACKET	1
28	40-01124-00	VALVE BODY	1
29	22-60793-01	HARNESS, SUCTION BYPASS (SBPV) - SEE SECTION 6.5	1
30	14-00286-00	CHECK VALVE, LIQUID LINE	1
31	42-00243-09	O-RING, 3/8"	1
32	12-60032-09	HIGH AMBIENT PRESSURE SWITCH (HP4) - INCLUDES:	1
33	22-50078-01SV	CONNECTOR ( MATES WITH 22-50078-02SV )	1
34	<b>NSA</b>	TUBE ASSY, SUCTION EXIT - INCLUDES:	1
35	40-60169-05	FITTING, #10 ORS X 5/8" TUBE	1
36	40-60169-06	FITTING, #12 ORS X 3/4" TUBE	1
37	40-60159-00	FITTING, 1/4" SCHRADER 3/8M X 1/4F	1
38	42-00243-03	O-RING, 5/8"	1
39	12-60015-04	LOW PRESSURE SWITCH (LP)- INCLUDES:	1
40	22-02392-00SV	CONNECTOR ( MATES WITH 22-01585-00SK )	1
41	14-60000-03	VALVE, CPR	1
42	44-60044-12	CLAMP, 1 1/4"	2
43	81-60626-00	TUBE ASSY, BY-PASS	1
44	14-60055-00	THERMOSTAT, DEFROST - INCLUDES:	1
45	12-00256-03	DEFROST THERMOSTAT (DTT)	1
33	22-50078-01SV	CONNECTOR ( MATES WITH 22-50078-02SV )	1
46	34-01197-10	SCREW, CAP HXHD M4 X 10MM	14
47	34-60095-24	WASHER, LOCK, M4 X 10MM	2
48	14-00329-01	QUENCH VALVE (BPV)	1
49	22-60405-00	COIL, QUENCH VALVE, 12V	1
50	12-00507-00	THERMOSTAT, QUENCH VALVE (BPT)	1
51	22-60419-00	HARNESS, QUENCH VALVE - INCLUDES:	1
52	22-60068-00	CONNECTOR, COIL	1
53	22-01585-00SV	CONNECTOR, 2 WIRE (MATES WITH 22-02392-00SV)	1
54	14-00303-01	VALVE, SUCTION BYPASS (SBPV)	1
55	22-60734-00	COIL, 12V, SUCTION BYPASS VALVE	1

**6.4 EVAPORATOR - 50X - PIPING - Continued**

<b>Item</b>	<b>Part Number</b>	<b>Description</b>	<b>Qty</b>
56	34-06051-131	RIVNUT, M4, ROUND HOLE	2
	34-60112-50	RIVNUT, M4, HEXAGONAL HOLE	
57	34-06051-132	RIVNUT, M5, ROUND HOLE	8
	34-60112-51	RIVNUT, M5, HEXAGONAL HOLE	
58	34-06051-134	RIVNUT, M6, ROUND HOLE	2
	34-60112-52	RIVNUT, M6, HEXAGONAL HOLE	

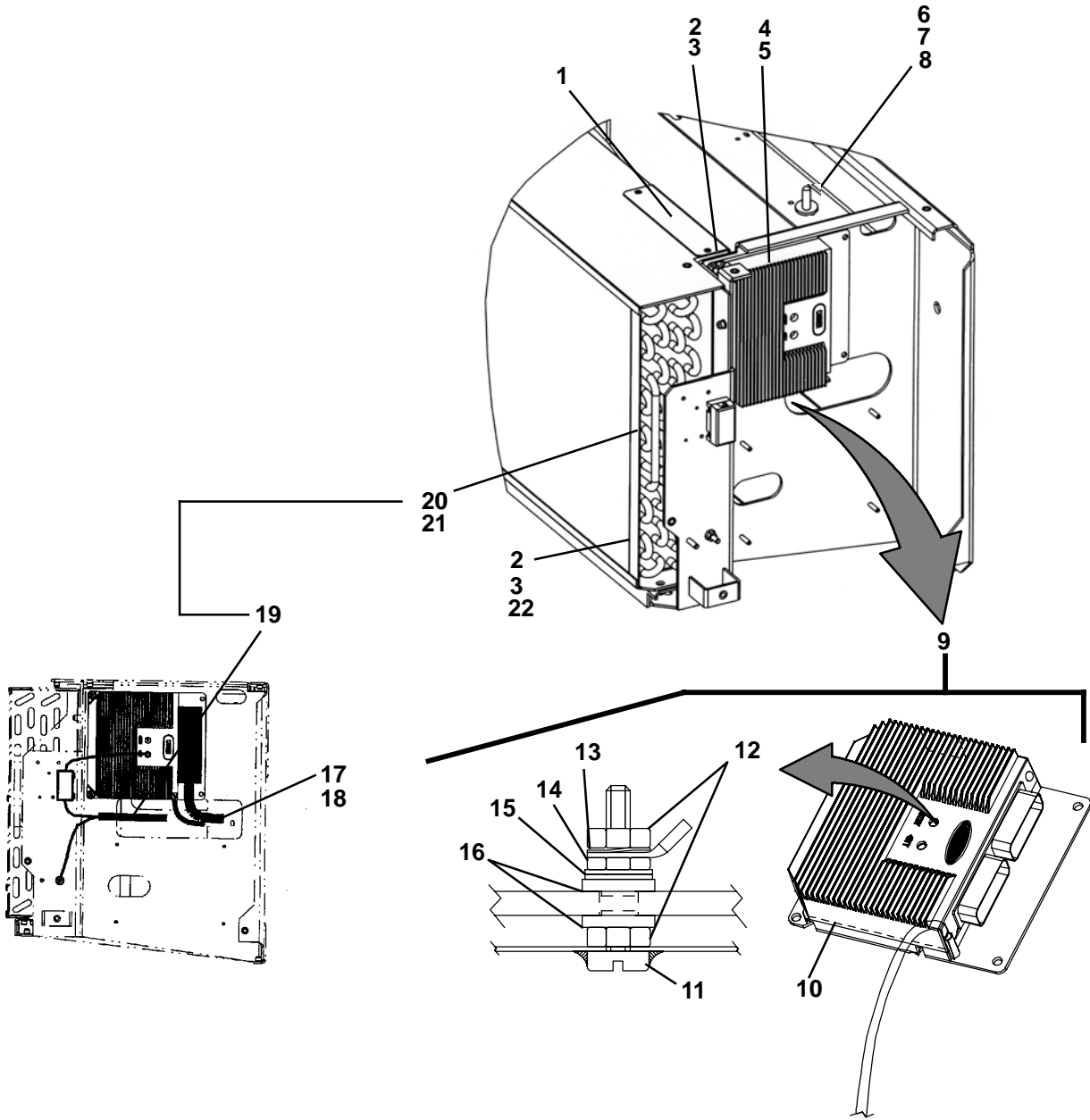
## 6.5 EVAPORATOR - SBPV HARNESS



Item	Part Number	Description	Qty
1	22-60793-01	HARNESS, <b>SPBV</b> - INCLUDES:	1
2	22-50078-73	<b>SBPP</b> CONNECTOR, 2 WIRE (MATES WITH 22-50078-72)	1
3	22-02336-03	FUSE, 3A	1
4	22-60313-02	FUSE HOLDER	1
5	58-60298-04	GROMMET	1
6	10-01021-00	DIODE, 6A, 600V	1
7	22-01613-02	<b>SBPV</b> CONNECTOR, 2 WIRE (MATES WITH 22-01613-00)	1
8	22-50078-02SV	<b>HP4</b> CONNECTOR, 2 WIRE (MATES WITH 22-50078-01SV)	1

7 ELECTRICAL

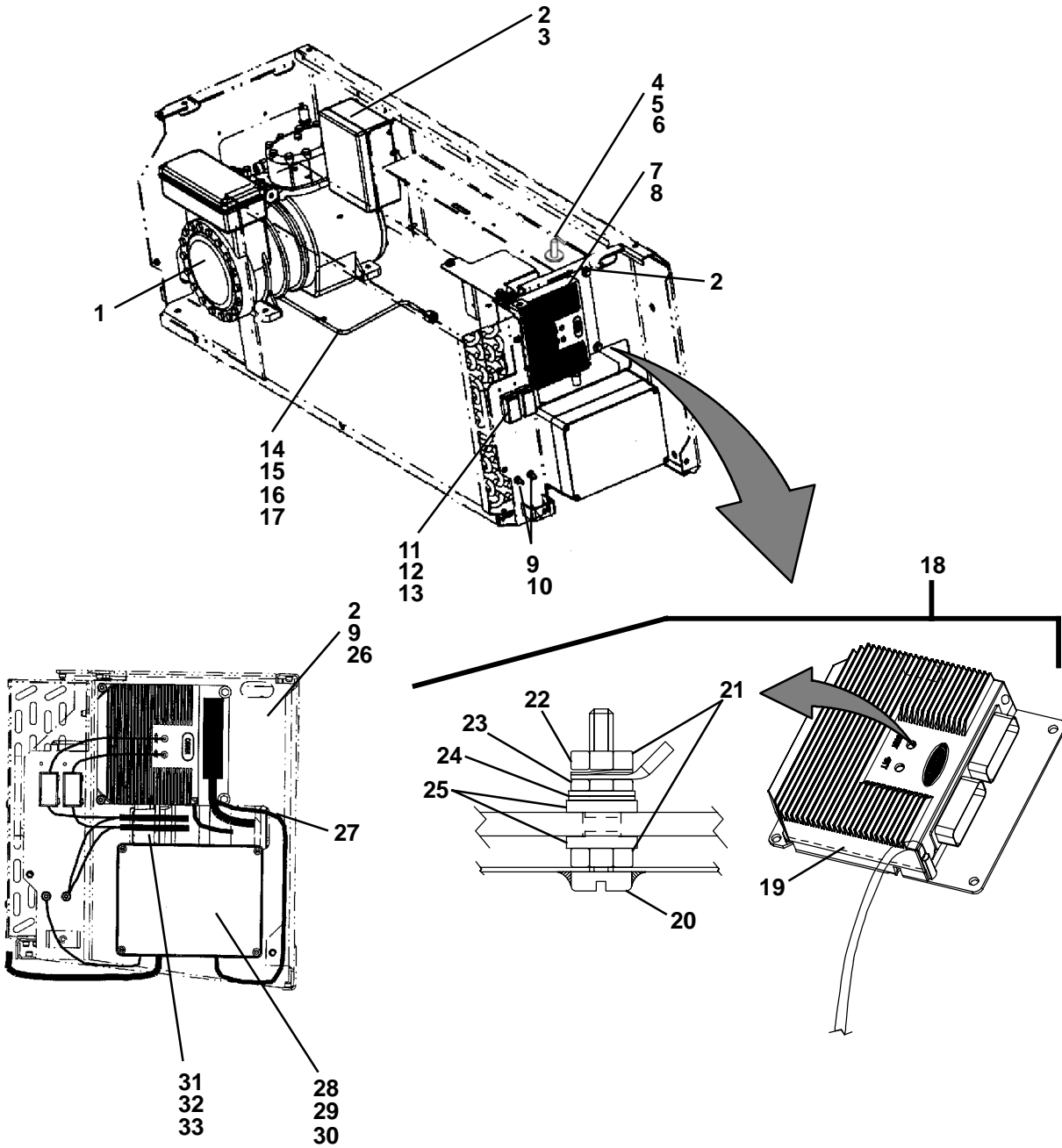
7.1 ELECTRICAL - ROAD





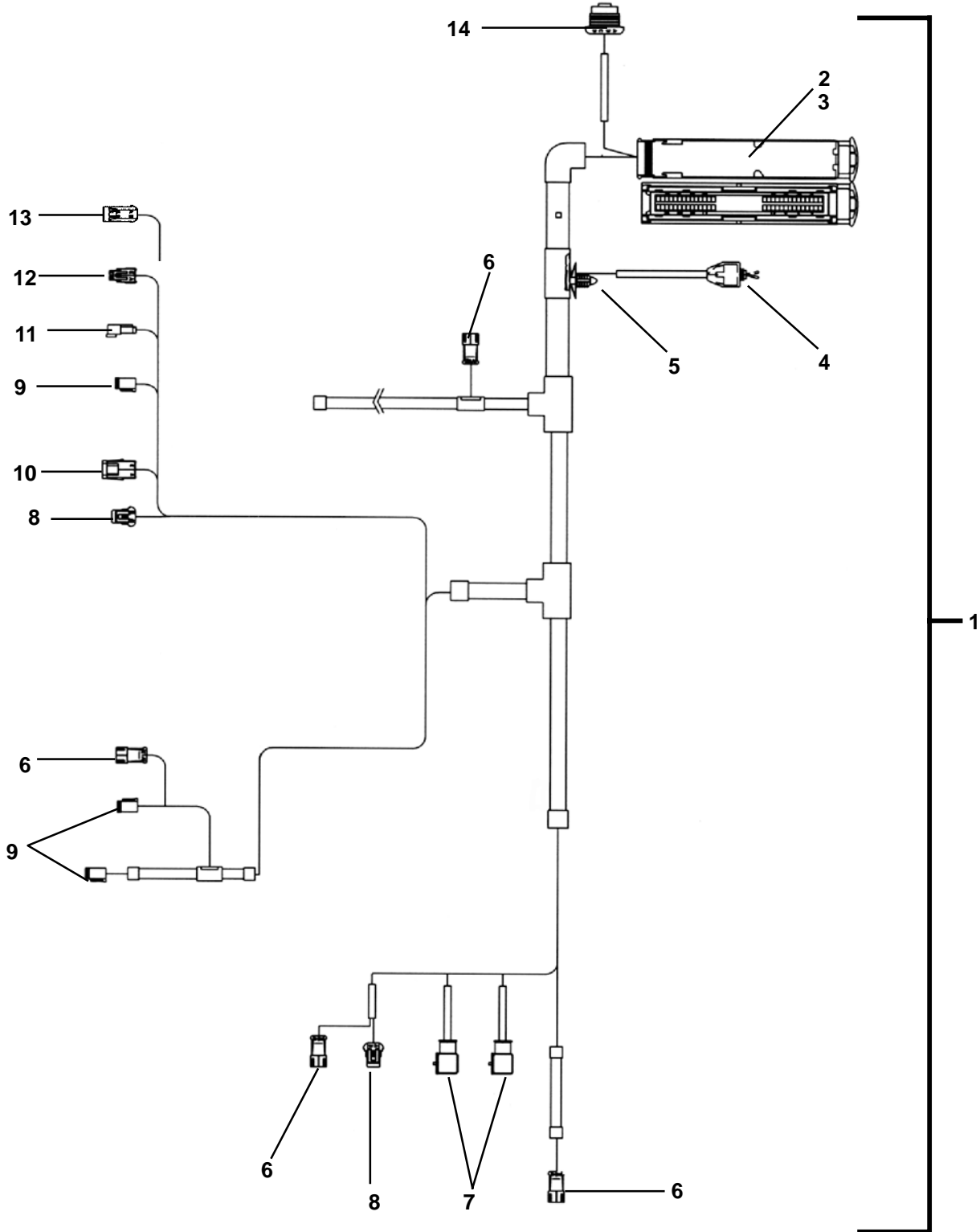
<b>7.1 ELECTRICAL - ROAD</b>			
<b>Item</b>	<b>Part Number</b>	<b>Description</b>	<b>Qty</b>
1	68-61433-00	COVER	1
2	34-60068-20	SCREW, M6 X 20MM	5
3	34-60089-06	NUT, LOCK, M6	3
4	12-00526-13	LOGIC BOARD - INCLUDES:	1
5	12-00526-88	FUSE, 1A	1
6	58-60158-00	BOOT, EMERGENCY SWITCH	1
7	62-60871-00	DECAL, EMERGENCY SWITCH	1
8	22-60583-00	SWITCH, TOGGLE (EMERGENCY SWITCH)	1
9	76-61057-00	SERVICE KIT, MICROPROCESSOR - INCLUDES:	1
10	12-00526-93	GASKET, MICRO COVER	1
11	12-00526-92	SCREW	6
12	12-00526-94	NUT, BRASS, M6	2
13	12-00526-96	ONDUFLEX WASHER	2
14	12-00526-95	NUT, JAM, BRASS, M6	2
15	12-00526-98	POLYAMID WASHER	4
16	12-00526-97	WASHER, INSULATED STEP	4
17	22-60520-03	HARNESS, UNIT - <b>SEE SECTION 7.2.1</b>	1
18	22-50078-04SV	CONNECTOR, 8 WIRE (MATES WITH 22-50078-03SV)	1
19	22-60539-10	CABLE ASSY, BATTERY, 12VDC - INCLUDES:	1
20	22-60599-00	FUSE HOLDER	1
21	22-60340-01	FUSE, 50A	1
22	34-00945-06	WASHER, LOCK, M6	1

7.2 ELECTRICAL - ROAD/STANDBY



<b>7.2 ELECTRICAL - ROAD/STANDBY</b>			
<b>Item</b>	<b>Part Number</b>	<b>Description</b>	<b>Qty</b>
1	18-00086-06	COMPRESSOR, 230/1/60 - SEE SECTION 7.2.2	1
	18-00086-03	COMPRESSOR, 230/3/60 - SEE SECTION 7.2.2	
2	34-60068-20	SCREW, M6 X 20MM	18
3	91-60306-01	CONTROL BOX ASSY, START, 230/1/60 ONLY - SEE SECTION 7.3.1	1
4	58-60158-00	BOOT, EMERGENCY SWITCH	1
5	62-60871-00	DECAL, EMERGENCY SWITCH	1
6	22-60583-00	SWITCH, TOGGLE (EMERGENCY SWITCH)	1
7	12-00526-19	LOGIC BOARD - INCLUDES:	1
8	12-00526-88	FUSE, 1A	1
9	34-60089-06	NUT, LOCK, M6	4
10	34-60096-06	WASHER, LOCK, M6	2
11	34-01184-54	NUT, LOCK, M4	4
12	34-01197-20	SCREW, CAP HEXHD M4 X 20MM	4
13	34-60095-24	WASHER, LOCK, M4 X 10MM O.D.	8
14	82-60057-00	TUBE ASSEMBLY, OIL RETURN - INCLUDES:	1
15	40-60009-01	NUT, ORS, 1/4	1
16	40-60008-01	SLEEVE, ORS, 1/4"	1
17	44-60048-06	CLIP, TUBE, 1/4"	1
18	76-61057-00	SERVICE KIT, MICROPROCESSOR - INCLUDES:	1
19	12-00526-93	GASKET, MICRO COVER	1
20	12-00526-92	SCREW	6
21	12-00526-94	NUT, BRASS, M6	2
22	12-00526-96	ONDUFLEX WASHER	2
23	12-00526-95	NUT, JAM, BRASS, M6	2
24	12-00526-98	POLYAMID WASHER	4
25	12-00526-97	WASHER, INSULATED, STEP	4
26	91-60180-40	VOLTAGE REGULATOR ASSEMBLY, 230/1/60 - SEE SECTION 7.2.3	1
	91-60180-20	VOLTAGE REGULATOR ASSEMBLY, 230/3/60 - SEE SECTION 7.2.4	
27	22-60520-03	HARNESS, UNIT - SEE SECTION 7.2.1	1
28	91-60178-50	CONTROL BOX ASSEMBLY, 230/1/60 - SEE SECTION 7.2.5	1
	91-60178-20	CONTROL BOX ASSEMBLY, 230/3/60 - SEE SECTION 7.2.5	
29	34-60089-05	NUT, LOCK, M5	4
30	22-60543-08	FUSE, 16A	1
31	22-60539-10	CABLE ASSY , BATTERY, 12VDC - INCLUDES:	1
32	22-60340-01	FUSE, 50A	1
33	22-60599-00	FUSE HOLDER	1

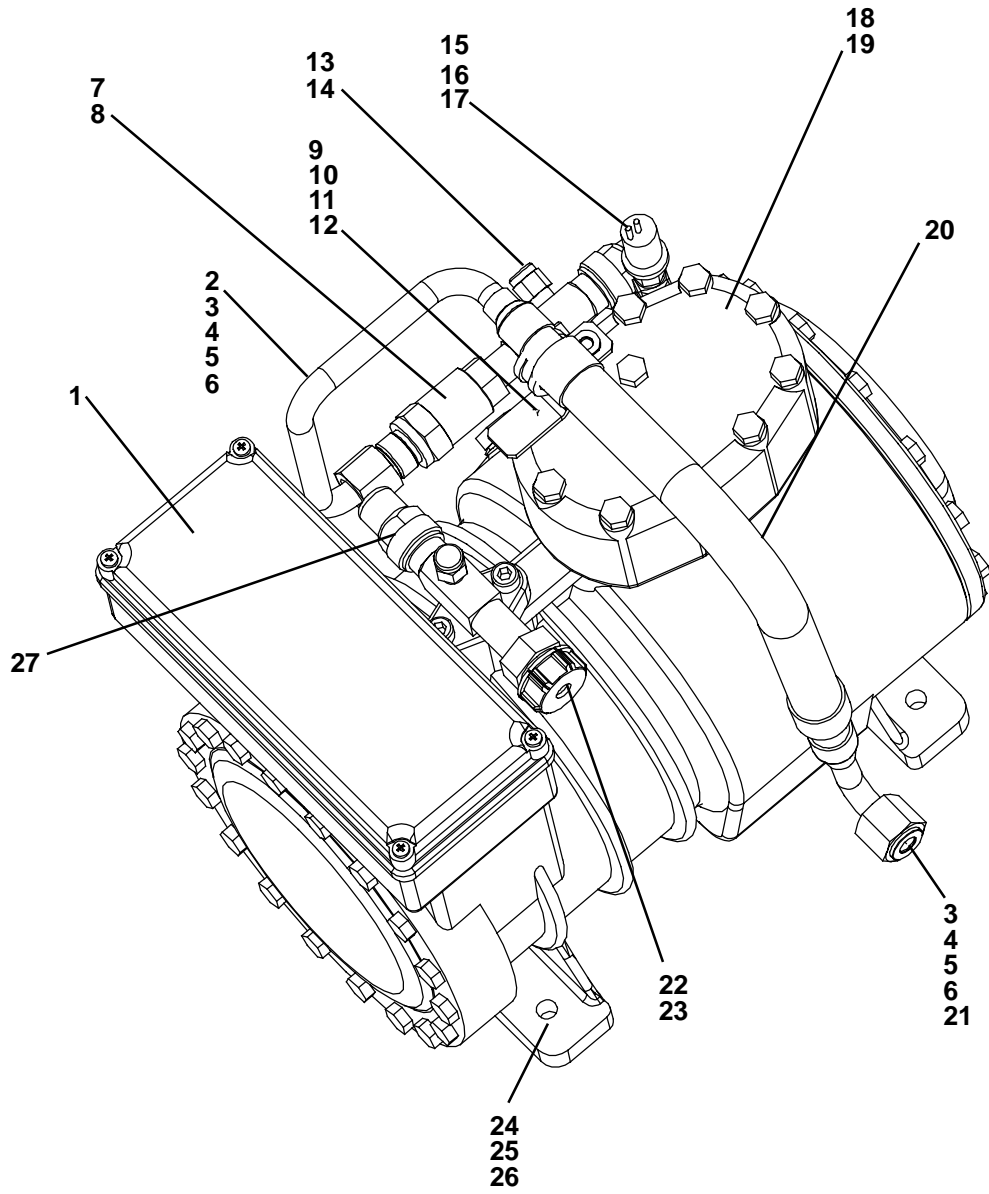
7.2.1 ELECTRICAL - HARNESS



**7.2.1 ELECTRICAL - HARNESS**

<b>Item</b>	<b>Part Number</b>	<b>Description</b>	<b>Qty</b>
1	22-60520-03	HARNESS, UNIT - INCLUDES:	1
2	22-60536-00SK	<b>MP</b> CONNECTOR, 56 WIRE, FEMALE	1
3	22-60536-00SK1	PIN KIT FOR CONNECTOR	1
4	22-60583-00	<b>EB</b> , SWITCH, TOGGLE, MOLDED	1
5	58-60282-00	RETAINER	1
6	22-50078-01SV	<b>CFM, RAS, HP2 &amp; HP3</b> CONNECTOR (MATES WITH 22-50078-02SV)	4
7	22-60068-00	<b>HGS1 &amp; HGS2</b> VALVE, CONNECTOR	2
8	22-50078-02SV	<b>HP1, DTT</b> CONNECTOR ( MATES WITH 22-50078-01SV )	2
9	22-01613-10	<b>EFM1, 2 &amp; 3</b> , CONNECTOR, 4 WIRE ( MATES W/ 22-01613-08SV )	3
10	22-02392-00SV	<b>BPV</b> , CONNECTOR, 2 WIRE ( MATES WITH 22-01585-00SV )	1
11	22-01613-00	<b>DWR</b> , CONNECTOR, 2 WIRE ( MATES WITH 22-01613-02SV )	1
12	22-01585-00SV	<b>LP</b> , CONNECTOR, 2 WIRE ( MATES WITH 22-02392-00SV )	1
13	22-50078-73	<b>SBPP</b> , CONNECTOR, 2 WIRE ( MATES WITH 22-50078-72 )	1
14	22-50078-03SV	<b>CB</b> , CONNECTOR ( MATES WITH 22-50078-04SV )	1

7.2.2 ELECTRICAL - STANDBY COMPRESSOR AND DISCHARGE LINE

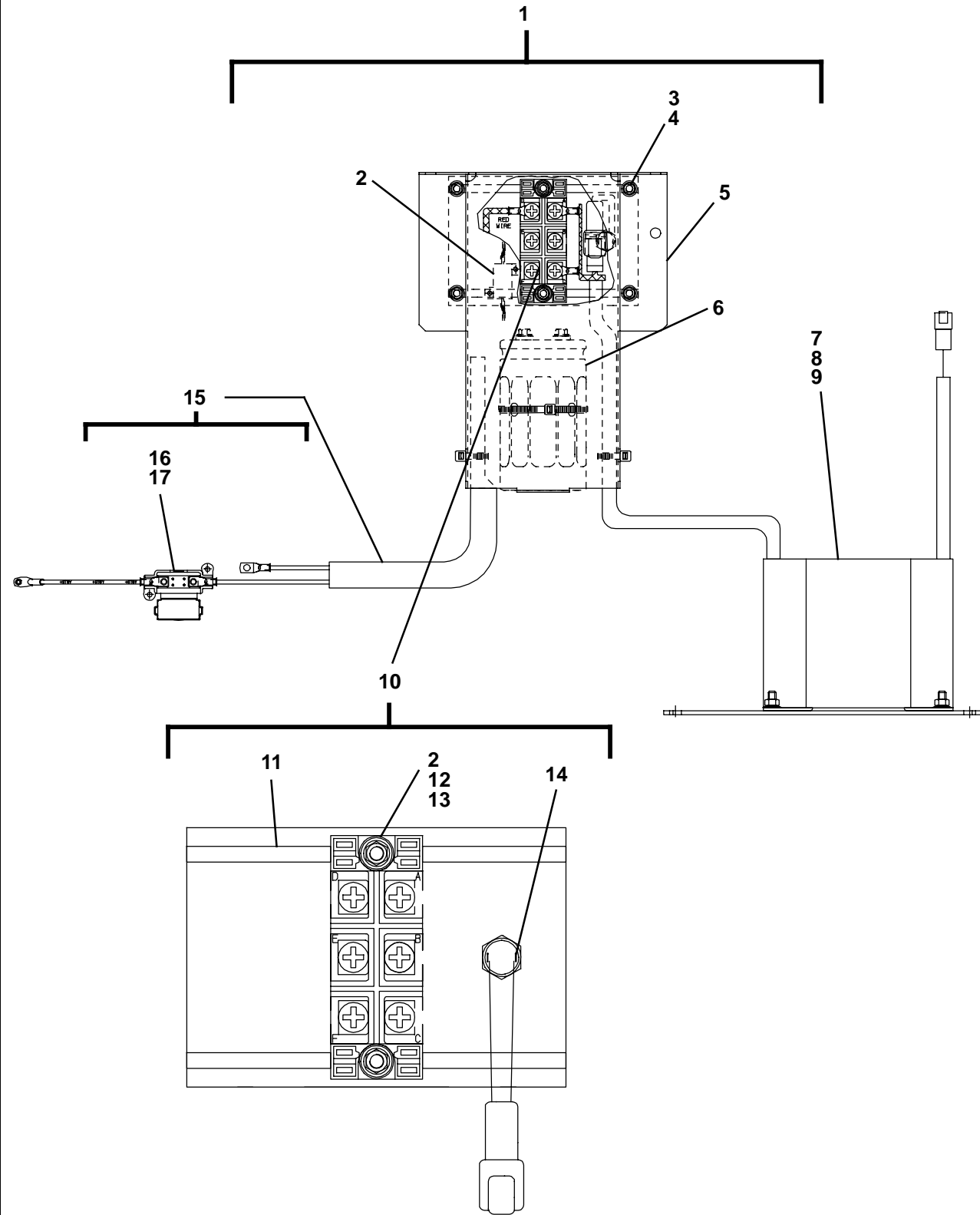


**7.2.2 ELECTRICAL - STANDBY COMPRESSOR AND DISCHARGE LINE**

Item	Part Number	Description	Qty
1	18-00086-06	COMPRESSOR 230/1/60	1
	18-00086-03	COMPRESSOR 230/3/60	
2	81-60573-00	DISCHARGE LINE ASSEMBLY, UPPER, <b>230/1/60</b> - INCLUDES:	2
	81-60611-00	DISCHARGE LINE ASSEMBLY, UPPER, <b>230/3/60</b> - INCLUDES:	
3	40-00130-11	REDUCER, 3/4 X 1/2	1
4	40-60009-03	NUT, 1/2" ORFS	1
5	40-60008-03	SLEEVE, 1/2" ORFS	1
6	42-00243-04	O-RING, .50 I.D. X .62 O.D.	2
7	17-60052-00	SERVICE VALVE, DISCHARGE	1
8	40-60007-03	FITTING, DISCHARGE, #8 ORS, X 1/2" ODF, <b>230/1/60 40X AND 50X</b>	1
	40-60007-03	FITTING, DISCHARGE, #8 ORS, X 1/2" ODF, <b>230/3/60 40X ONLY</b>	
	40-60007-15	FITTING, DISCHARGE, #8 ODF, X 1/2" ODF, <b>230/3/60 50X ONLY</b>	
9	34-60095-30	WASHER, LOCK, M8 X 18MM	1
10	44-60044-10	CLAMP, 7/8" CUSHION, <b>230/1/60</b>	1
	44-60044-12	CLAMP, 1 1/8" CUSHION, <b>230/3/60</b>	
11	67-60506-00	BRACKET, VIBRASORBER	1
12	34-01152-16	SCREW, CAP HEXHD M6 X 16MM	1
13	42-00243-10	O-RING, .31 ID X .44 OD	1
14	40-60201-00	FITTING, OIL RETURN, 1/4" ORFS X 1/8 NPT	1
15	12-60032-04	SWITCH, STANDBY HIGH PRESSURE, <b>HP3</b>	1
16	40-60222-00	FITTING, 1/4 FLARE X 1/8 NPTF X 3/8 ORS	1
17	14-00272-01	VALVE, RELIEF	1
18	17-60059-00	VALVE PLATE ASSY, COMPRESSOR, WITH GASKETS	1
19	17-60051-00	GASKET SET, COMPRESSOR, COMPLETE	1
20	73-60035-02	VIBRASORBER, DISCHARGE	1
21	81-60572-00	DISCHARGE LINE ASSEMBLY, LOWER, <b>230/1/60</b> - INCLUDES:	1
	81-60571-00	DISCHARGE LINE ASSEMBLY, LOWER, <b>230/3/60</b> - INCLUDES:	
3	40-00130-11	REDUCER, 3/4 X 1/2	1
4	40-60009-03	NUT, 1/2" ORFS	1
5	40-60008-03	SLEEVE, 1/2" ORFS	1
22	40-60007-04	FITTING, SUCTION, #10 ORS X 5/8" ODF, <b>230/1/60 40X AND 50X</b>	1
	40-60007-04	FITTING, SUCTION, #10 ORS X 5/8" ODF, <b>230/3/60 40X ONLY</b>	
	40-60007-09	FITTING, SUCTION, #10 ODF X 5/8" ODF, <b>230/3/60 50X ONLY</b>	
23	42-00243-03	O-RING, .62 I.D. X .75 O.D.	1
24	34-00944-10	WASHER, FLAT, M10	8
25	79-60577-00	SPACER ASSEMBLY	1
26	34-01184-60	NUT, LOCK, M10	8
27	17-60057-00	SERVICE VALVE, SUCTION	1

**Note: Except for those parts listed above, no other compressor parts are available.**

7.2.3 ELECTRICAL - 230/1/60 VOLTAGE REGULATOR ASSEMBLY

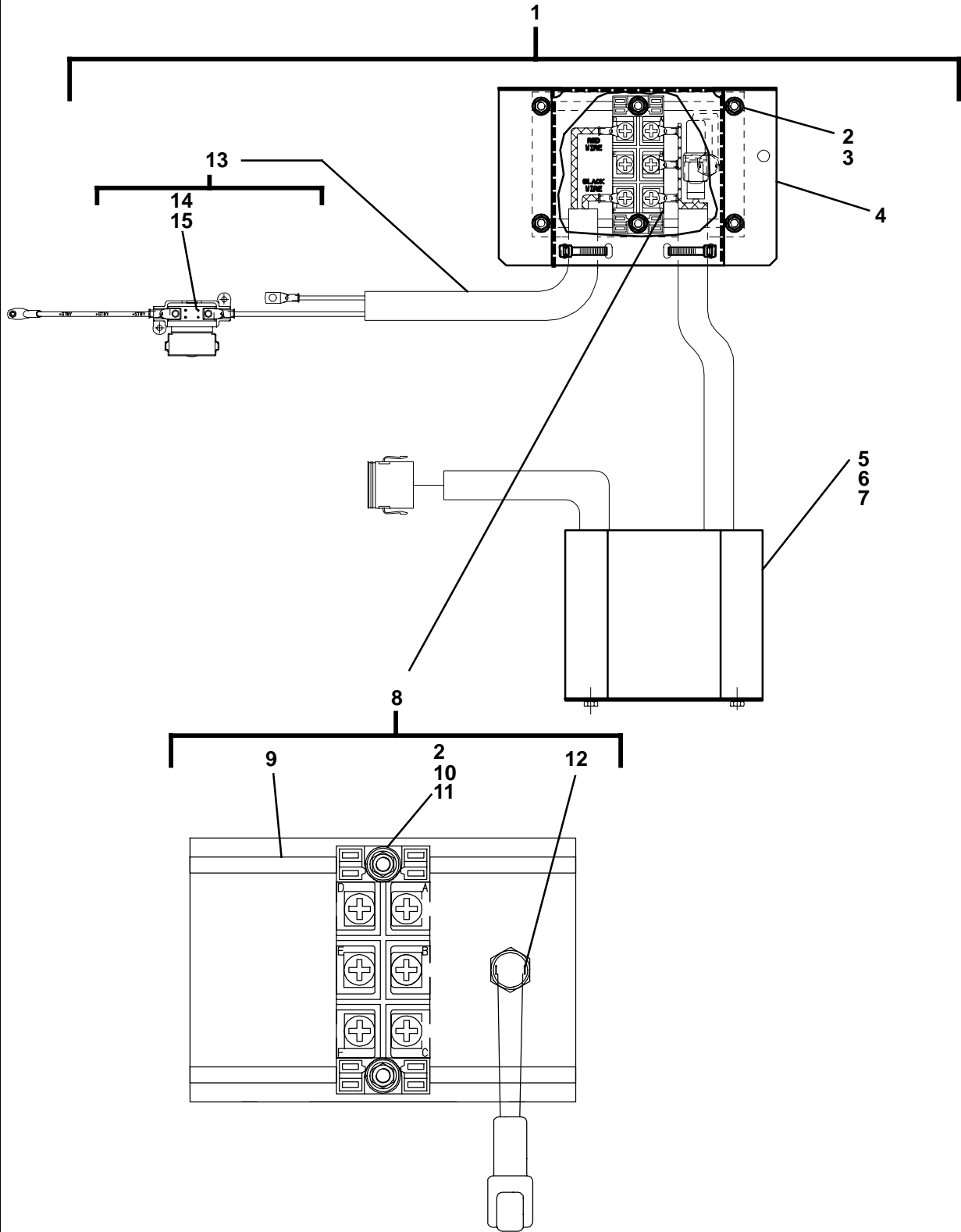




**7.2.3 ELECTRICAL - 230/1/60 VOLTAGE REGULATOR ASSEMBLY**

<b>Item</b>	<b>Part Number</b>	<b>Description</b>	<b>Qty</b>
1	91-60180-40	VOLTAGE REGULATOR ASSEMBLY - INCLUDES:	1
2	22-60686-00	RESISTOR, 220Ω, 25W	1
3	34-60089-05	NUT, LOCK M5	4
4	34-60000-10	SCREW, MACH HXHD, M5 X 10MM	4
5	68-61861-00	COVER	1
6	10-60040-05	CAPACITOR, 47000 mF	1
7	10-00440-00	TRANSFORMER, 12V 1Ø - INCLUDES:	1
8	22-01613-16SK	CONNECTOR, 12 WAYS (MATES WITH 22-01613-18)	1
9	22-01613-02	CONNECTOR, 2 WAYS (MATES WITH 22-01613-00)	1
10	79-60431-00	RECTIFIER ASSEMBLY - INCLUDES:	1
11	22-60548-00	HEAT SINK	1
12	10-00422-00	RECTIFIER	1
13	34-60000-25	SCREW, MACH HXHD, M5 X 25MM	2
14	12-00516-12	THERMOSTAT	1
2	34-60089-05	NUT, LOCK M5	4
15	22-60546-14	CABLE, 12V, 1Ø DIODE BRIDGE - INCLUDES:	1
16	22-60599-00	FUSE HOLDER	1
17	22-60340-01	FUSE, 50A	1

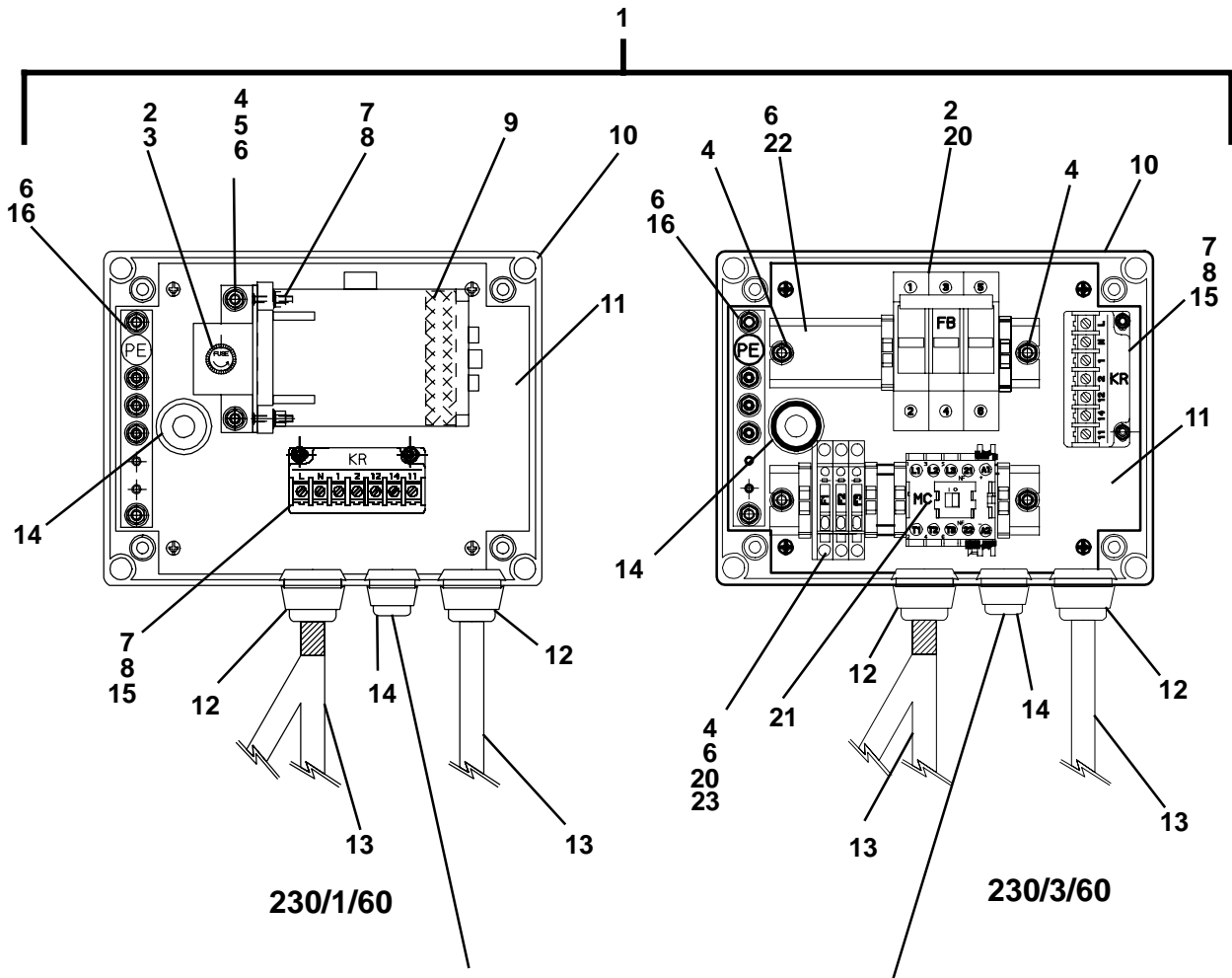
7.2.4 ELECTRICAL - 230/3/60 VOLTAGE REGULATOR ASSEMBLY



**7.2.4 ELECTRICAL - 230/3/60 VOLTAGE REGULATOR ASSEMBLY**

Item	Part Number	Description	Qty
1	91-60180-20	VOLTAGE REGULATOR ASSEMBLY - INCLUDES:	1
2	34-60089-05	NUT, LOCK M5	4
3	34-60000-10	SCREW, MACH HXHD, M5 X 10MM	4
4	68-61408-00	BRACKET	1
5	10-00423-00	TRANSFORMER, 12V 3Ø - INCLUDES:	1
6	22-01613-25	CONNECTOR, 12 WAYS (MATES WITH 22-01613-23)	1
7	22-01613-02	CONNECTOR, 2 WAYS (MATES WITH 22-01613-00)	1
8	79-60431-00	RECTIFIER ASSEMBLY - INCLUDES:	1
9	22-60548-00	HEAT SINK	1
10	10-00422-00	RECTIFIER	1
11	34-60000-25	SCREW, MACH HXHD, M5 X 25MM	2
12	12-00516-12	THERMOSTAT	1
2	34-60089-05	NUT, LOCK M5	2
13	22-60546-10	CABLE, 12V, 3Ø DIODE BRIDGE - INCLUDES:	1
14	22-60599-00	FUSE HOLDER	1
15	22-60340-01	FUSE, 50A	1

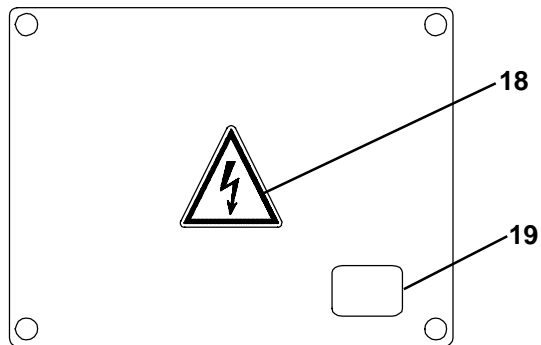
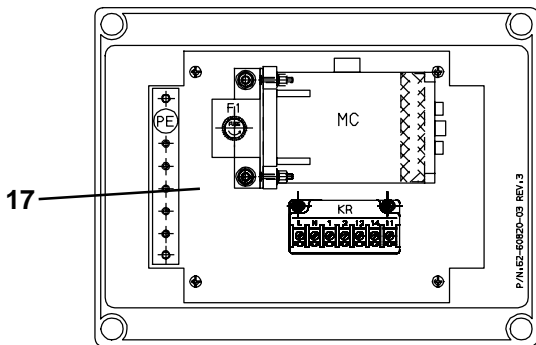
## 7.2.5 ELECTRICAL - CONTROL BOX



SEE SECTION 7.3 FOR STANDBY POWER CONNECTION COMPONENTS

INSIDE COVER

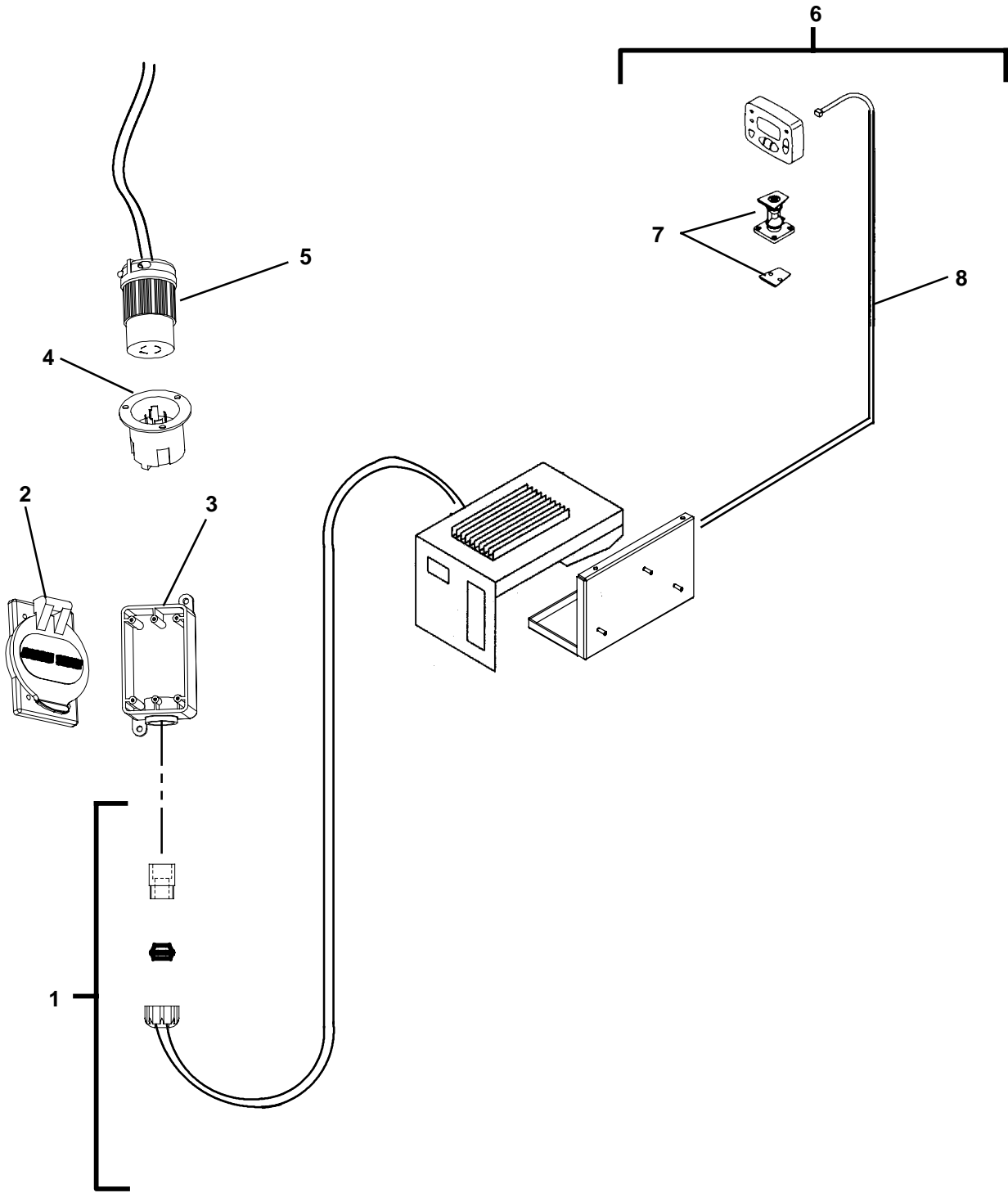
FRONT OF BOX



**7.2.5 ELECTRICAL - CONTROL BOX**

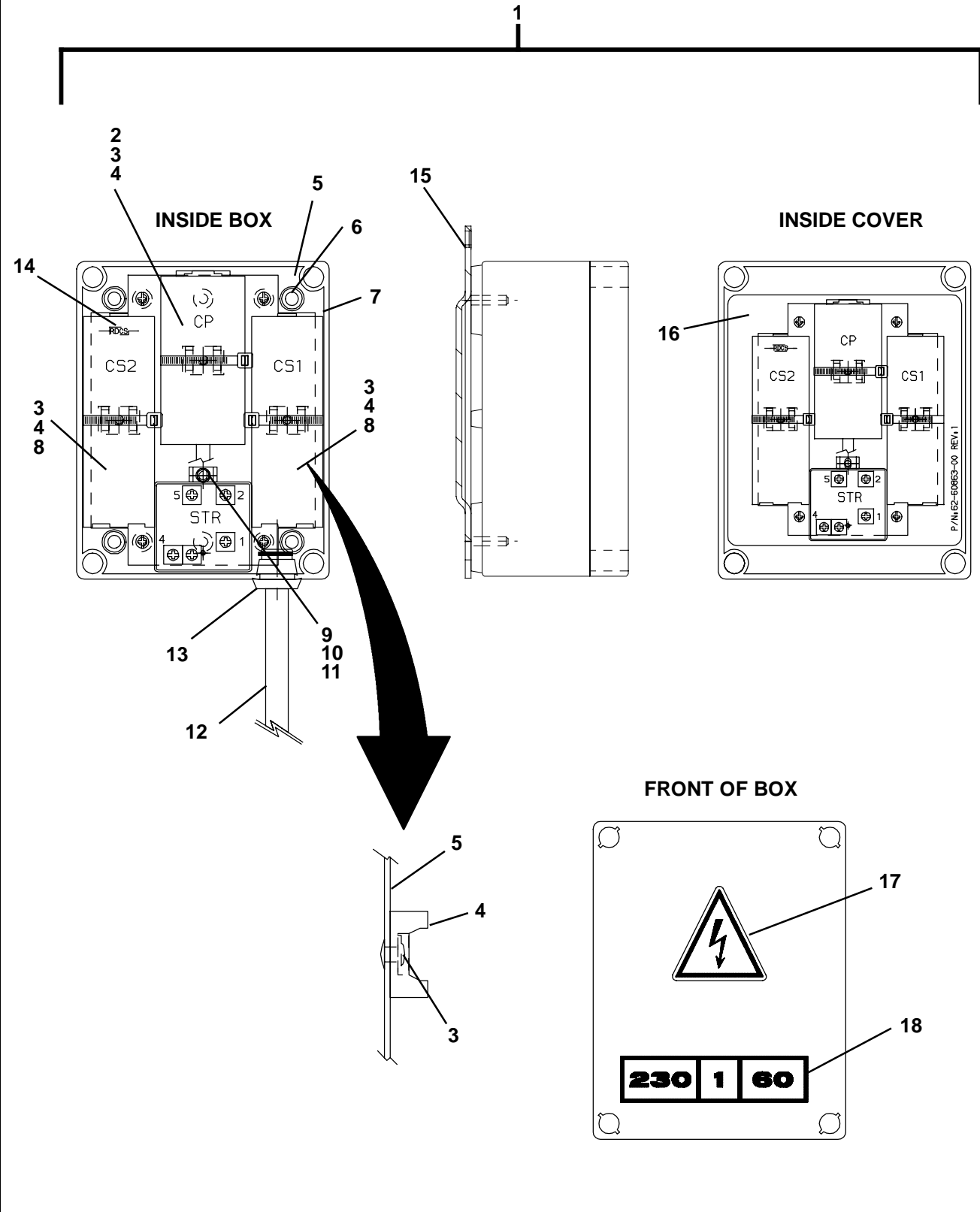
<b>Item</b>	<b>Part Number</b>	<b>Description</b>	<b>Qty</b>
1	91-60178-50	CONTROL BOX ASSY, 12VDC, <b>230/1/60</b> - INCLUDES:	1
	91-60178-20	CONTROL BOX ASSY, 12VDC, <b>230/3/60</b> - INCLUDES:	
2	22-60567-00	FUSE HOLDER, <b>230/1/60</b>	1
	22-60540-00	FUSE HOLDER, <b>230/3/60</b>	
3	22-60102-09	FUSE 5A 250V, <b>230/1/60</b>	1
4	58-60324-02	CAP	A/R
5	68-61466-00	BRACKET, <b>230/1/60</b>	1
6	34-60089-05	NUT, LOCK, M5	A/R
7	34-01184-54	NUT, LOCK, M4	A/R
8	34-60095-04	WASHER, LOCK, M4 X 8MM	A/R
9	10-00391-20	CONTACTOR, 3 POLES, 12VDC, <b>230/1/60</b>	1
10	58-60469-01	BOX, 230V	1
11	68-61393-02	BRACKET, <b>230/1/60</b>	1
	68-61393-00	BRACKET, <b>230/3/60</b>	
12	58-60298-03	GROMMET	2
13	22-60538-04	HARNESS, CONTROL BOX, <b>230/1/60</b>	1
	22-60538-03	HARNESS, CONTROL BOX, <b>230/3/60</b>	
14	58-60298-02	GROMMET	2
15	10-60030-02	PROTECTOR, MOTOR	1
16	68-61394-00	STRAP	1
17	62-60820-03	DECAL, BOX, <b>230/1/60</b>	1
	62-60820-00	DECAL, BOX, <b>230/3/60</b>	
18	62-03957-01	DECAL, WARNING	1
19	62-60870-00	DECAL, VOLTAGE, 12VDC	1
20	22-60102-05	FUSE 3.15A 250V, <b>230/3/60</b>	6
21	12-60044-05	CONTACTOR, 3 POLES, 12VDC, <b>230/3/60</b>	1
22	22-60537-02	JUNCTION BLOCK FOR FUSE BLOCK, <b>230/3/60</b>	1
23	22-60537-00	JUNCTION BLOCK FOR CONTACTOR, <b>230/3/60</b>	3

7.3 ELECTRICAL - CAB COMMAND AND STANDBY POWER CONNECTORS



<b>7.3 ELECTRICAL - CAB COMMAND AND STANDBY POWER CONNECTORS</b>			
<b>Item</b>	<b>Part Number</b>	<b>Description</b>	<b>Qty</b>
1	58-60605-00	FITTING, CABLE NUT AND GROMMET, STANDBY POWER BOX	1
2	58-60606-00	COVER, RECEPTACLE	1
3	58-60604-01	BOX, POWER RECEPTACLE	1
4	22-60695-01	RECEPTACLE ASSY, 30A, <b>230/1/60</b>	1
	22-60697-00	RECEPTACLE ASSY, 20A, <b>230/3/60</b>	
5	22-60694-01	PLUG, POWER, 30A, <b>230/1/60</b>	1
	22-60696-00	PLUG, POWER, 20A, <b>230/3/60</b>	
6	79-60428-00	CAB COMMAND - INCLUDES:	1
7	22-60166-00	BRACKET	1
8	22-60551-04	CAB COMMAND CABLE 10M	1
	22-60551-05	CAB COMMAND CABLE 13M (OPTION)	
	22-60551-07	COMMAND CAB CABLE 16M (AIRPORT OPTION)	

7.3.1 ELECTRICAL - START BOX ASSY, 230/1/60

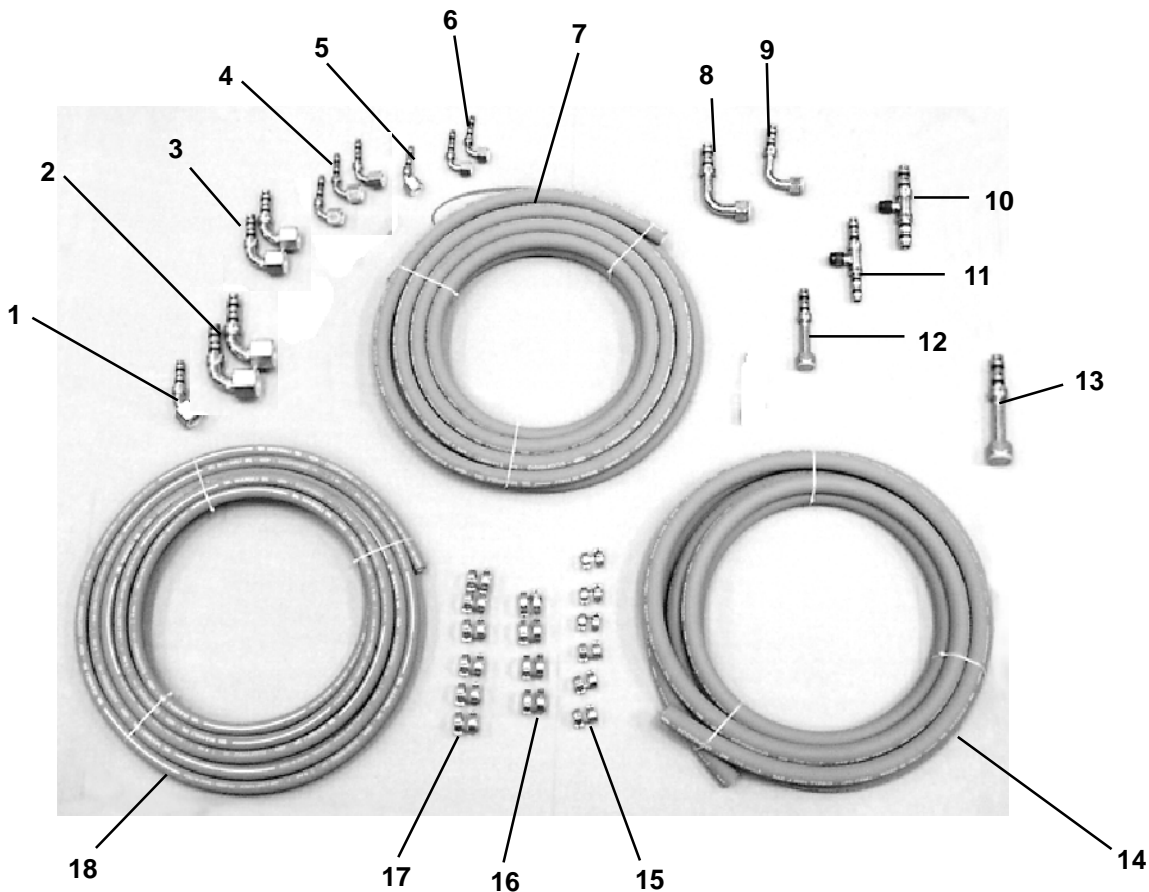




**7.3.1 ELECTRICAL - START BOX ASSY, 230/1/60**

<b>Item</b>	<b>Part Number</b>	<b>Description</b>	<b>Qty</b>
1	91-60306-01	START BOX ASSY, 12VDC, 230/1/60 - INCLUDES:	1
2	10-60047-08	CAPACITOR, RUN, 450V, 40mF	1
3	34-60002-54	WASHER, M4, BELLEVILLE	3
4	44-60061-00	BASE, TY WRAP	3
5	68-61480-00	BRACKET	1
6	34-60089-05	NUT, LOCK, M5	4
7	58-60493-01	BOX	1
8	10-60048-03	CAPACITOR, START, 260/325V, 150mF	2
9	10-00424-01	RELAY, START	1
10	34-01184-54	NUT, LOCK, M4	1
11	34-60095-04	WASHER, LOCK, M4 X 8MM	1
12	22-60568-01	HARNESS, START BOX	1
13	58-60298-01	GROMMET	1
14	22-60397-02	RESISTOR, 3W, 15K $\Omega$	1
15	68-60177-00	BRACKET	1
16	62-60863-00	DECAL, START BOX	1
17	62-03957-01	DECAL, WARNING, HIGH VOLTAGE	1
18	62-60408-08	DECAL, VOLTAGE, 230/1/60	1

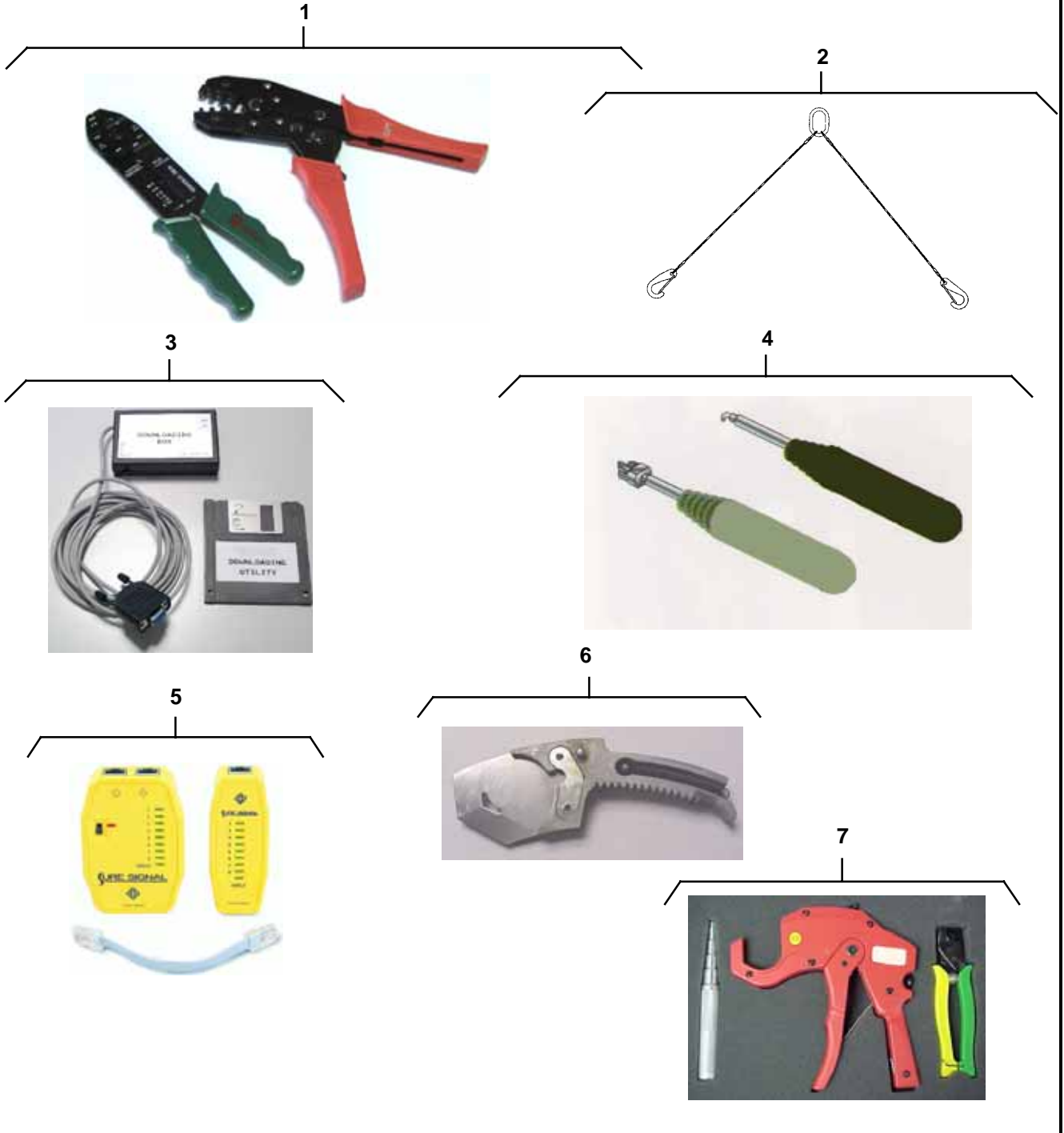
## 8 REFRIGERATION HOSES AND FITTINGS



Item	Part Number	Description	Qty
1	40-60049-04	FITTING, ORS, 135°, MODULE 10	1
2	40-60048-05	FITTING, 90°, MODULE 12	2
3	40-60048-04	FITTING, 90°, MODULE 10	2
4	40-60048-02	FITTING, ORS, 90°, MODULE 6	3
5	40-60049-02	FITTING, ORS, 135°, MODULE 6	1
6	40-60048-01	FITTING, ORS, 90°, MODULE 4-6	2
7	58-60115-04F50	HOSE, MODULE 10 (SOLD IN 50' ROLLS)	A/R
8	40-60061-07	FITTING, 90°, MODULE 10-12	1
9	40-60061-06	FITTING, 90°, MODULE 8-10	1
10	40-60058-05	SERVICE PORT, MODULE 12	1
11	40-60059-04	SERVICE PORT, MODULE 10	1
12	40-60060-06	FITTING, STRAIGHT, MODULE 8-10	1
13	40-60060-07	FITTING, STRAIGHT, MODULE 10-12	1
14	58-60115-05F50	HOSE, MODULE 12 (SOLD IN 50' ROLLS)	A/R
15	34-60019-02	CLAMP, MODULE 6	6
16	34-60019-05	CLAMP, MODULE 12	4
17	34-60019-04	CLAMP, MODULE 10	6
18	58-60115-02F50	HOSE, MODULE 6 (SOLD IN 50' ROLLS)	A/R

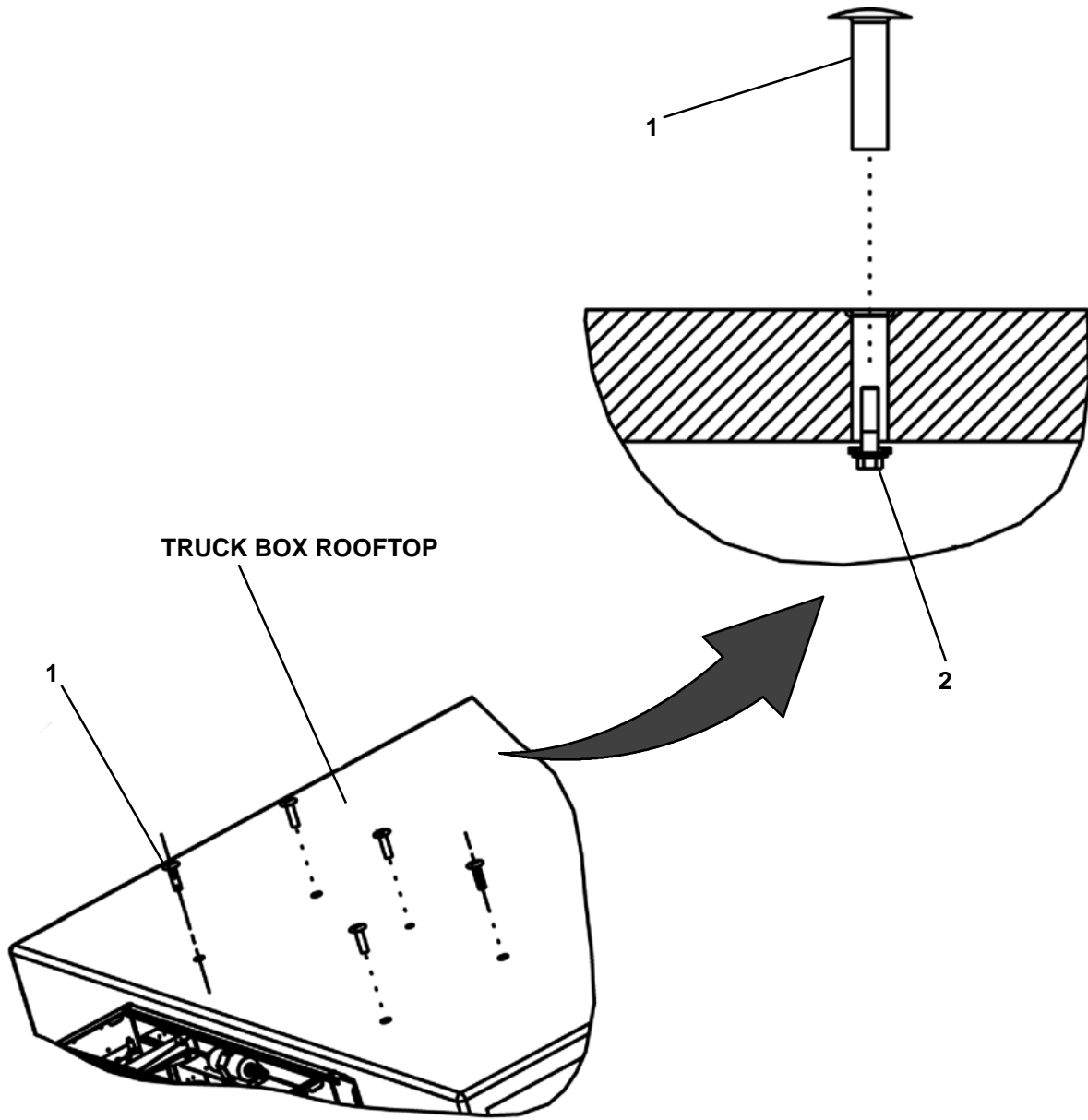
**Note:** If your application requires fittings other than what's listed above, please refer to the 62-11054 Hose and Fittings Parts List Manual.

**9 SERVICE TOOLS**



Item	Part Number	Description	Qty
1	07-60089-00	SET OF CRIMPING PLIERS FOR 56-WIRE CONNECTOR	1
2	07-60091-00	LIFTING DEVICE	1
3	76-61011-00	DOWNLOAD BOX	1
4	07-60090-00	CONNECTOR REMOVER TOOL SET FOR 56-WIRE CONNECTOR	1
5	07-00440-00	CAB COMMAND CABLE DIAGNOSTIC TOOL	1
6	07-00383-20	BLADE, HOSE CUTTER	1
7	07-60009-00	TOOL KIT FOR REFRIGERANT HOSES	1

**10 MOUNTING HARDWARE**



Item	Part Number	Description	Qty
1	34-01262-00	RETAINER, NUT (MOUNTING PLUG), M12	A/R
2	34-60147-00	SCREW, HEX HD, WITH FLANGE, M12 X 45 MM	A/R

<b>10 MOUNTING HARDWARE (Cont'd)</b>		
<b>Part Number</b>	<b>Description</b>	<b>Qty</b>
42-00243-10	O-RING, 1/4"	2
42-00243-09	O-RING, 3/8"	9
42-00243-04	O-RING, 1/2"	6
42-00243-03	O-RING, 5/8"	7
42-00243-11	O-RING, 3/4"	1
34-60014-02	BOLT,T-HEAD,M14 X 165LG.	4
22-60340-01	FUSE, 50 AMP, MIDIFUSE	1
22-60345-00	FUSE HOLDER, MIDIFUSE	1
44-60061-00	BASE, TY-WRAP	10
34-01249-29	WASHER, SPACER, M14 X 30OD X 4 THK	4
34-01184-64	NUT,LOCK, M14	4
22-60328-00	TERMINAL, SOCKET, 0.5 TO 1MM	1
22-60251-00	SPLICE, SHRINK 0.5 TO 1	1
22-60313-02	FUSE HOLDER, ATO TYPE, WITH CAP	1
22-02336-10	FUSE, 1 AMP	1
58-01284-02	HEAT SHRINK, 1.38"L	4
34-60147-00	SCREW, CAP HXHD M12X45 FLANGE	4
58-60265-01	TEE, DRAIN, 5/16 X 5/16 X 5/16	1
40-60056-01	FITTING, OIL RETURN, 1/4 ORS X M8	1
22-60340-02	FUSE, 60A, MIDI FUSE	1

# PART NUMBER INDEX

PART NO.	PAGE NO.	PART NO.	PAGE NO.	PART NO.	PAGE NO
07-00383-20	39	14-00286-00	13, 17	22-50078-01SV	1, 13, 17, 25
07-00440-00	39	14-00286-02	9	22-50078-02 SV	7
07-60009-00	39	14-00286-03	9	22-50078-02SV	1, 11, 15, 19, 25
07-60089-00	39	14-00303-01	17	22-50078-03SV	1, 25
07-60090-00	39	14-00326-03	1, 7	22-50078-04SV	1, 21
07-60091-00	39	14-00329-01	13, 17	22-50078-21	1
08-60168-00	7	14-00332-01	7	22-50078-72SV	1
10-00391-20	33	14-00333-00	7	22-50078-73	19, 25
10-00422-00	29, 31	14-01092-06	7	22-60068-00	13, 17, 25
10-00423-00	7, 31	14-60000-03	13, 17	22-60102-09	33
10-00424-01	37	14-60009-04	13, 17	22-60102-05	1, 33
10-00440-00	7, 29	14-60039-03	13, 17	22-60102-07	1
10-01021-00	19	14-60055-00	2, 13, 17	22-60166-00	35
10-60030-02	33	14-60062-10	7	22-60167-01	2, 11, 15
10-60040-05	29	17-31252-00	1	22-60251-00	41
10-60047-08	37	17-31307-00	1	22-60268-00	7
10-60048-03	37	17-60051-00	27	22-60313-02	19, 41
108-1960SV	1	17-60052-00	27	22-60328-00	41
108-1961SV	1	17-60057-00	27	22-60340-01	1, 21, 23, 29, 31, 41
108-1962SV	1	17-60059-00	27	22-60340-02	1, 41
12-00256-03	13, 17	18-00084-90SV	1	22-60345-00	41
12-00507-00	2, 13, 17	18-00084-91SV	1	22-60397-02	37
12-00516-12	29, 31	18-00084-92SV	1	22-60405-00	13, 17
12-00526-13	21	18-00086-03	1, 23, 27	22-60419-00	2, 13, 17
12-00526-19	23	18-00086-06	1, 23, 27	22-60520-01	2
12-00526-88	1, 21, 23	22-01585-00SV	1, 13, 17, 25	22-60520-03	2, 21, 23, 25
12-00526-92	21, 23	22-01613-00	1, 25	22-60536-00SK	25
12-00526-93	21, 23	22-01613-02	1, 19, 29, 31	22-60536-00SK1	25
12-00526-94	21, 23	22-01613-02SK	7	22-60536-00SV	1
12-00526-95	21, 23	22-01613-08	1, 13, 17	22-60537-00	33
12-00526-96	21, 23	22-01613-10	1, 25	22-60537-02	1, 33
12-00526-97	21, 23	22-01613-16SK	7, 29	22-60538-03	2, 33
12-00526-98	21, 23	22-01613-25	1, 31	22-60538-04	2, 33
12-60015-04	2, 13, 17	22-01613-25SK	7	22-60539-10	21, 23
12-60032-02	2, 7	22-02336-02	1	22-60540-00	33
12-60032-03	2, 7	22-02336-03	19	22-60543-06	1
12-60032-04	2, 27	22-02336-10	41	22-60543-08	23
12-60032-09	2, 17	22-02392-00SV	1, 13, 17, 25	22-60546-10	31
12-60044-05	33	22-50078-01 SV	7	22-60546-14	29
14-00272-01	9, 27				
14-00276-10	7				

# PART NUMBER INDEX

PART NO.	PAGE NO.	PART NO.	PAGE NO.	PART NO.	PAGE NO.
22-60548-00	29, 31	34-60019-05	38	40-60009-05	3
22-60551-04	2, 35	34-60044-00	5	40-60048-01	38
22-60551-05	2, 35	34-60068-20	4, 7, 9, 13, 17, 21, 23	40-60048-02	38
22-60551-07	2, 35			40-60048-04	38
22-60567-00	33	34-60089-05	7, 23, 29, 31, 33, 37	40-60048-05	38
22-60568-01	2, 37			40-60049-02	38
22-60583-00	21, 23, 25	34-60089-06	9, 21, 23	40-60049-04	38
22-60599-00	21, 23, 29, 31	34-60095-04	33, 37	40-60056-01	41
		34-60095-24	13, 17, 23	40-60058-05	38
22-60686-00	29	34-60095-25	7, 13, 16	40-60059-04	38
22-60694-01	35	34-60095-27	9, 13, 16	40-60060-06	38
22-60695-01	35	34-60095-29	7	40-60060-07	38
22-60696-00	35	34-60095-30	27	40-60061-06	38
22-60697-00	35	34-60096-06	23	40-60061-07	38
22-60734-00	17	34-60147-00	40, 41	40-60159-00	9, 13, 17
22-60793-01	2, 17, 19	34-60198-16	11, 15	40-60165-00	13, 17
250-1501	1	34-06051-131	14, 18	40-60169-05	13, 17
34-00373-50	15	38-00550-00	7	40-60169-06	13, 17
34-00944-10	27	40-00130-11	9, 27	40-60170-02	13, 17
34-00945-04	17	40-01124-00	17	40-60201-00	27
34-00945-06	21	40-60007-01	3	40-60202-00	9
34-01152-16	27	40-60007-02	3, 7, 13, 16, 17	40-60222-00	27
34-01152-20	13, 16			42-00243-03	3, 9, 13, 17, 27, 41
34-01152-35	9	40-60007-03	3, 27	42-00243-04	3, 9, 27, 41
34-01184-05	13, 16	40-60007-04	3, 27		
34-01184-54	23, 33, 37	40-60007-05	3	42-00243-09	3, 7, 13, 17, 41
34-01184-60	27	40-60007-09	27		
34-01184-64	5, 41	40-60007-15	27	42-00243-10	3, 9, 27, 41
34-01197-10	13, 17	40-60008-01	23	42-00243-11	3, 13, 41
34-01197-20	23	40-60008-01	3	42-60042-01	11, 15
34-01249-29	5, 41	40-60008-02	7	44-60041-14	13, 16
34-01262-00	40	40-60008-02	3	44-60044-10	27
34-06041-134	4	40-60008-03	9, 27	44-60044-12	17, 27
34-60000-10	29, 31	40-60008-03	3	44-60044-13	13
34-60000-16	13, 16	40-60008-04	9	44-60048-06	23
34-60000-25	7, 29, 31	40-60008-04	3	44-60061-00	37, 41
34-60001-20	7	40-60008-05	3	48-60189-01	17
34-60002-54	37	40-60009-01	3, 23	48-60237-00	7
34-60014-02	5, 41	40-60009-02	3, 7	50-60135-00	1
34-60019-02	38	40-60009-03	3, 9, 27	54-00554-00	13, 17
34-60019-04	38	40-60009-04	3, 9	54-60006-10	7

# PART NUMBER INDEX

PART NO.	PAGE NO.	PART NO.	PAGE NO.	PART NO.	PAGE NO
54-60006-30SV	7	58-60606-00	35	73-60035-02	9, 27
54-60006-31	7	62-03957-01	33, 37	73-60049-00	7
58-01284-00	13, 17	62-04069-04	5	76-60891-00	2
58-01284-02	41	62-04069-05	5	76-61011-00	39
58-60115-02F50	2, 38	62-60063-00	7, 11, 15	76-61019-00	2
58-60115-03F50	2	62-60390-02	11, 15	76-61019-01	2
58-60115-04F50	2, 38	62-60390-03	5	76-61057-00	21, 23
58-60115-05F50	2, 38	62-60408-08	37	76-61093-00	2
58-60158-00	21, 23	62-60774-00	11, 15	79-60428-00	35
58-60265-01	41	62-60820-00	33	79-60431-00	29, 31
58-60282-00	25	62-60820-03	33	79-60533-00	5
58-60298-01	37	62-60863-00	37	79-60577-00	27
58-60298-02	11, 15, 33	62-60870-00	11, 15, 33	79-60618-00	13
58-60298-03	15, 33	62-60871-00	21, 23	79-60630-00	16
58-60298-04	11, 15, 19	62-61335-00	4	81-60119-01	13, 17
58-60302-07	13, 17	62-61446-08	11	81-60324-00	16
58-60306-06	5	62-61446-09	15	81-60384-00	13
58-60324-02	33	65-60056-00	7	81-60556-00	9
58-60335-01	11, 15	65-60057-00	9	81-60557-00	9
58-60336-01	11, 15	67-60120-00	4	81-60571-00	9, 27
58-60399-00	11, 15	67-60506-00	27	81-60572-00	9, 27
58-60400-04	11, 15	68-60177-00	37	81-60573-00	9, 27
58-60401-00	11, 15	68-60651-00	13, 16	81-60611-00	9, 27
58-60431-01	15	68-60672-00	13, 17	81-60613-00	17
58-60461-00	11	68-60990-00	17	81-60626-00	17
58-60469-01	33	68-61393-00	33	82-60053-00	7
58-60471-00	5	68-61393-02	33	82-60057-00	23
58-60473-00	5	68-61394-00	33	86-60650-01	4
58-60475-00	5	68-61408-00	31	91-60178-20	23, 33
58-60476-00	5	68-61433-00	21	91-60178-50	23, 33
58-60485-00	11, 15	68-61466-00	33	91-60180-20	23, 31
58-60493-01	37	68-61480-00	37	91-60180-40	23, 29
58-60604-01	35	68-61861-00	29	91-60306-01	23, 37
58-60605-00	35	68-70037-00	7	AC501-291	1



**North America**  
Carrier Transicold  
700 Olympic Drive  
Athens, GA 30601 USA  
Tel: 1-706-357-7223  
Fax: 1-706-355-5435

**Central America  
and Mexico**  
Ejercito Nacional No. 418  
Piso 9, Torre Yumal  
Col. Chapultepec Morales  
11570 Mexico, D.F.  
Tel: (5255) 9126.0300  
Fax: (5255) 9126.0373



**Carrier**

A United Technologies Company

Carrier Transicold Division,  
Carrier Corporation  
Truck/Trailer Products Group  
P.O. Box 4805  
Syracuse, N.Y. 13221 U.S.A

[www.carrier.transicold.com](http://www.carrier.transicold.com)



A member of the United Technologies Corporation family. Stock symbol UTX  
©2009 Carrier Corporation D Printed in U. S. A. 0609