

Carrier  
Transicold

Truck  
Refrigeration Unit

# Integra 40/50S



Service  
Parts List

62-10631 Rev -  
Change 11/04



**TRANSICOLD**

**SERVICE PARTS LIST  
INTEGRA  
40/50S**

Carrier Transport Refrigeration and Air Conditioning  
A member of the United Technologies Corporation family. Stock symbol UTX.  
Carrier Transicold, Carrier Corporation, P.O. Box 4805, Syracuse, N.Y. 13221 U. S. A.

© Carrier Corporation 2001 D Printed in U. S. A. 0801



**Carrier**

A United Technologies Company

# TABLE OF CONTENTS

<b>PARAGRAPH NUMBER</b>	<b>Page</b>
INTRODUCTION .....	ii
MODEL CHART .....	ii
OPTIONS CHART .....	ii
ORDERING INSTRUCTIONS .....	ii
GENERAL NOTES .....	iii
1 QUICK LIST .....	1
1.1 Quick List - Compressors .....	1
1.2 Quick List - Connectors .....	1
1.3 Quick List - Filters .....	1
1.4 Quick List - Fuses .....	1
1.5 Quick List - Harnesses .....	1
1.6 Quick List - Switches, Transducers And Thermistors .....	1
2 FRAME .....	2
3 SKINS/DECALS .....	3
4 CONDENSER .....	4
5 DISCHARGE ASSEMBLY .....	6
6 EVAPORATOR .....	8
6.1 Evaporator - 40S .....	8
6.2 Evaporator - 50S .....	12
6.3 Evaporator - 40 And 50S Injection Solenoid Valve .....	16
7 INJECTION KIT .....	17
8 ELECTRICAL .....	18
8.1 Electrical - Road .....	18
8.2 Electrical - Road/Standby .....	20
8.3 Electrical - Road/Standby (Continued) .....	22
8.3.1 Electrical - Harness .....	24
8.3.2 Electrical - Control Box - 230/3/60 .....	26
8.3.3 Electrical - Control Box - 230/1/60 .....	28
8.3.4 Electrical - Start Box Assy .....	30
9 HOSE KIT .....	32
10 SERVICE TOOLS .....	33
PART NUMBER INDEX .....	Index-1

# INTEGRA 40/50S

## INTRODUCTION

This parts list identifies service replacement parts for the Carrier Transicold Integra 40/50S refrigeration Units listed in the model chart below. This model is designed for low and medium temperature cooling, heating and defrost for truck application.

## MODEL CHART

Unit			
Model No.		Refrigerant	Description
40S	50S		
TRC130R03D	TRC150R03D	R-404A	Road
TRS130R13D	TRS150R13D	R-404A	Road/Standby 230/1/60Hz
TRS130R23D	TRS150R23D	R-404A	Road/Standby 230/3/60Hz

## OPTIONS CHART

Option	40 And 50S
Road Compressor For Standard Double-A Clutch	108-1960-ATH
Road Compressor For Poly V Groove Clutch	108-1961-ATH
Road Compressor For Variable Groove Clutch	108-1962-ATH
Compressor Rear Port Adaptor	250-1501-ATH

The following are manuals for compatible units:

MANUAL NO.	EQUIPMENT COVERED
62-10050	INTEGRA 30S

## ORDERING INSTRUCTIONS

All orders and inquiries for parts must include:

SUnit Serial Number

SPart Number

SDescription of Part

S Quantity Required

Address all correspondence for parts to the following address:

CARRIER TRANSICOLD DIVISION  
 Replacement Components Group  
 TR-20, P.O. Box 4805  
 Syracuse, New York 13221  
 or  
 Fax to: (315) 432-3778

# INTEGRA 40/50S

## GENERAL NOTES

To find replacement parts, consult Table of Contents and the Matrix Chart, and turn to the appropriate page for the illustrated breakdown of replacement parts.

The following letter designations are used to classify parts throughout this list:

A/R *As Required.*

NS *Not Shown in the illustration.*

P-- *Suffix P-- added to the part number means the part is available in a packaged quantity only.*  
Example: P/N34-00373-01P10 is a package of 10 P/N34-00373-01.  
Use the part number and the P-- suffix when ordering.

PL *Purchase locally.*

SST *Stainless Steel - 300 Series unless otherwise specified.*

SV *Suffix SV - added to the part number designates service part replacement part.*

# INTEGRA 40/50S

## 1 QUICK LIST

### 1.1 Quick List - Compressors

PART NO.	DESCRIPTION
18-00086-01	COMPRESSOR, 230/1/60
18-00086-03	COMPRESSOR, 230/3/60 (40S)
18-60048-01	COMPRESSOR, 230/3/60 (50S)

### 1.2 Quick List - Connectors

PART NO.	DESCRIPTION
22-01585-00SV	CONNECTOR, FEMALE, 2 PIN
22-50078-02SV	CONNECTOR, FEMALE, 2 PIN
22-50078-03SV	CONNECTOR, FEMALE, 8 PIN
22-02392-00SV	CONNECTOR, MALE, 2 PIN
22-50078-01SV	CONNECTOR, MALE, 2 PIN
22-50078-04SV	CONNECTOR, MALE, 8 PIN
22-01613-25	CONNECTOR, PLUG, 12 SOCKET
22-01613-02	CONNECTOR, PLUG, 2 SOCKET
22-01613-10	CONNECTOR, PLUG, 4 PIN
22-01613-00	CONNECTOR, RECEPTACLE, 2 PIN
22-01613-08	CONNECTOR, RECEPTACLE, 4 PIN
22-50078-21	CONNECTOR, FEMALE, 1 PIN, M/P

### 1.3 Quick List - Filters

PART NO.	DESCRIPTION
14-60018-03	FILTER, DRIER

### 1.4 Quick List - Fuses

PART NO.	DESCRIPTION
22-60543-06	FUSE - 10 AMP, 500V
22-60102-05	FUSE - 3.15 AMP, 250V
22-60340-01	FUSE - 50 AMP
22-60102-07	FUSE - 6.3 AMP
22-00526-89	FUSE - 630mA
22-60537-02	FUSE - 10 AMP
22-02336-02	FUSE, JUNCTION BLOCK

### 1.5 Quick List - Harnesses

PART NO.	DESCRIPTION
22-60538-04	HARNESS, CONTROL BOX (230/1/60)
22-60538-03	HARNESS, CONTROL BOX (230/3/60)
22-60520-01	HARNESS, MICROPROCESSOR
22-60568-01	HARNESS, START BOX (230/1/60)

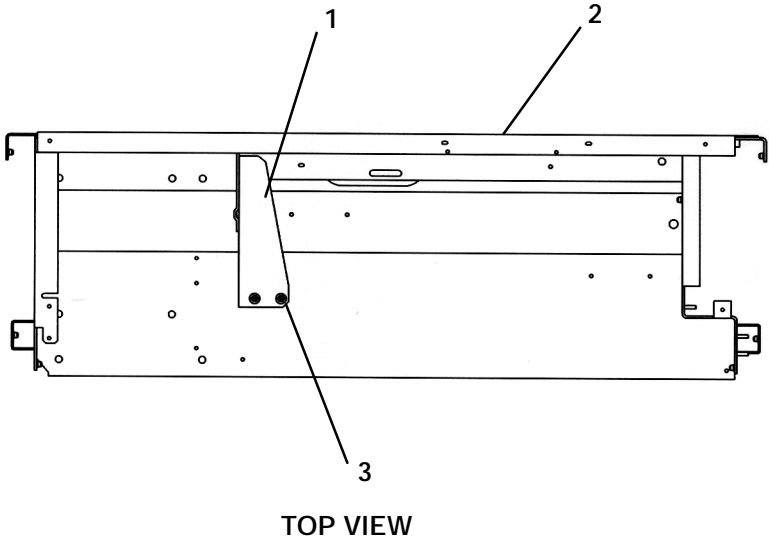
### 1.6 Quick List - Switches, Transducers And Thermistors

PART NO.	DESCRIPTION
22-60167-01	SENSOR, TEMPERATURE
14-60055-00	SWITCH, DEFROST TERMINATION
12-60032-02	SWITCH, HIGH PRESSURE (HP1)
101-1025	SWITCH, FAN CYCLE (HP2)
12-60032-04	SWITCH, HIGH PRESSURE (HP3)
12-60015-04	SWITCH, LOW PRESSURE
12-00507-00	THERMOSTAT, INJECTION

# INTEGRA 40/50S

## 2 FRAME

### 2.1 Frame

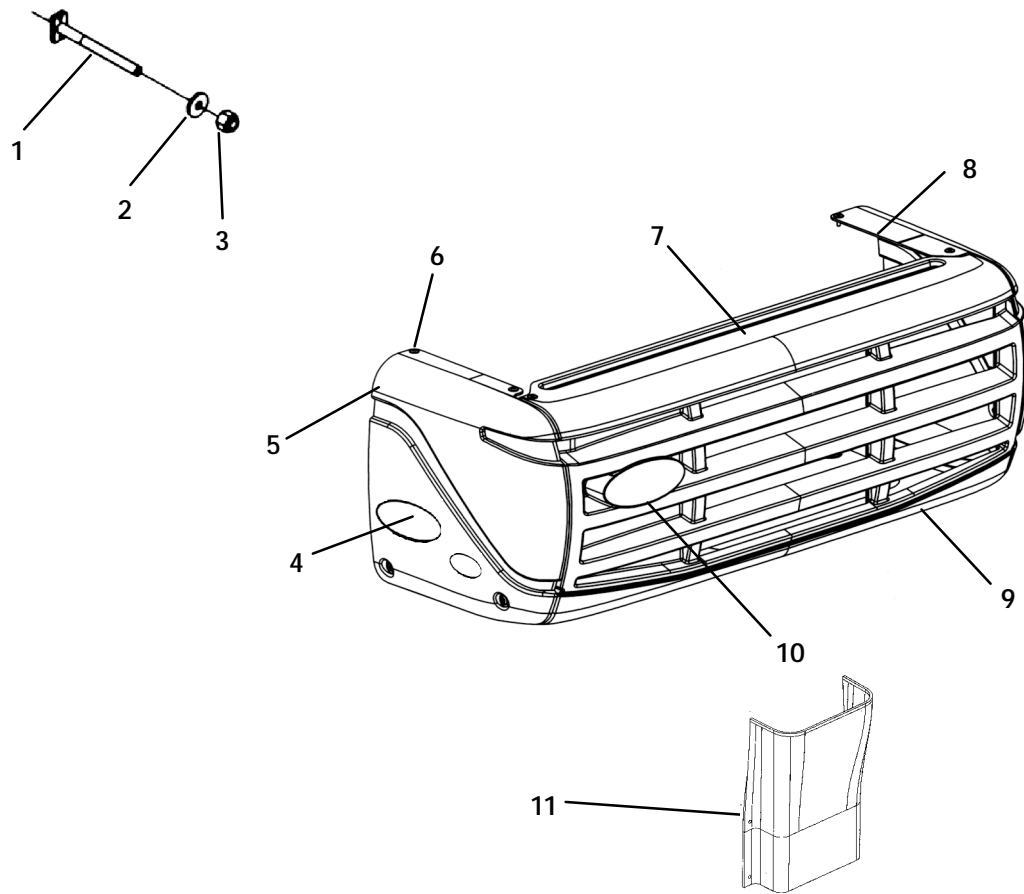


Item	Part Number	Description	Qty
1	67-60120-00	Bracket, Top	1
2	86-60650-00	Frame Assy	1
3	34-60068-20	Screw, Hex Head M6 X 20 mm	2

# INTEGRA 40/50S

## 3 SKINS/DECALS

### 3.1 Skins/Decals



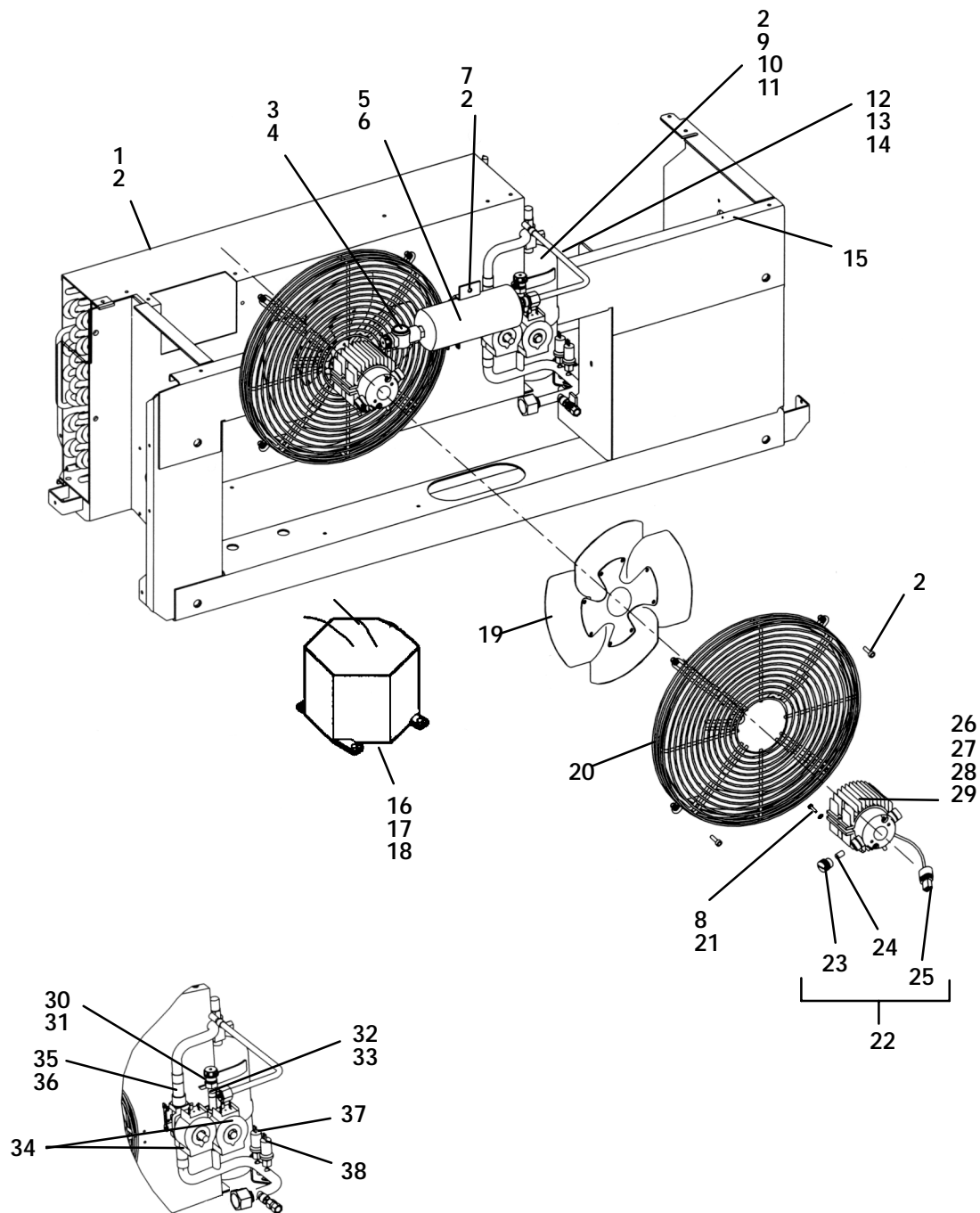
Item	Part Number	Description	Qty
1	34-60014-00	Bolt, T-Head, M14 X 180mm	4
2	34-01249-29	Washer, Spacer, M14 X 30mm	4
3	34-01184-64	Nut, Lock, M14	4
4	62-04069-00	Decal, Logo, 40S	2
	62-04069-01	Decal, Logo, 50S	2
5	58-60476-00	Panel, Curbside	1
6	34-60044-00	Screw, Hex HexHd M6 X 20mm	20
7	58-60474-00	Grille, Front	1
8	58-60475-00	Panel, Roadside	1
9	58-60473-00	Panel, Bottom	1
10	62-60390-03	Decal, Carrier	1
11	58-60471-00	Cover, Hose	1



# INTEGRA 40/50S

## 4 CONDENSER

### 4.1 Condenser



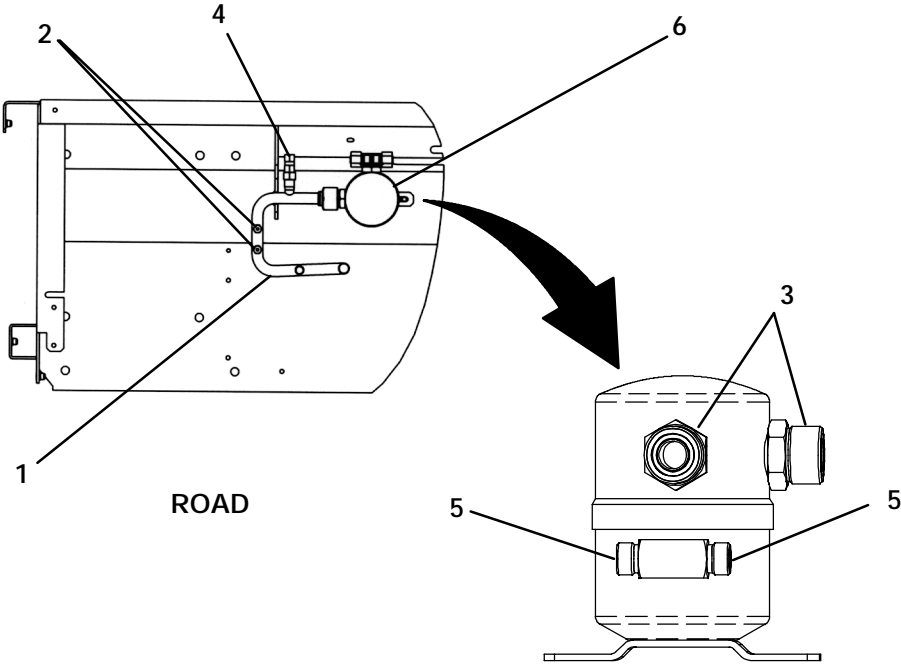
# INTEGRA 40/50S

4.1 Condenser			
Item	Part Number	Description	Qty
1	08-60121-00	Condenser	1
2	34-60068-20	Screw M6 X 20mm	15
3	14-01092-06	Sight Glass/Moisture Indicator - Includes:	1
4	42-00243-09	O-Ring	1
5	14-60018-03	Filter Drier - Includes:	1
6	42-00243-09	O-Ring	1
7	68-61402-00	Bracket,Drier	1
8	34-60001-20	Screw, Cap Hxhd M7 X 20mm	3
9	65-60056-00	Receiver - Includes	1
10	42-00243-09	O-Ring	1
11	40-60044-00	Adaptator Hp 90 Deg. Valve	1
12	82-60053-00	Tube,Condenser - Includes:	1
13	40-60009-02	Nut	1
14	40-60008-02	Sleeve	1
15	62-60063-00	Decal R404A	1
16	10-00440-00	Transformer 230/1Ø - Includes:	2
	10-00423-02	Transformer 230/3Ø - <b>50S Only</b> - Includes:	1
	10-00423-00	Transformer 230/3Ø - <b>40S Only</b> - Includes:	1
17	22-01613-25SV	Connector 12 Wire ( Mates With 22-01613-23SK )	1
18	22-01613-02SV	Connector ( Mates With 22-01613-00SK )	1
19	38-00550-00	Fan,Condenser	1
20	73-60049-00	Grille,Condenser	1
21	34-60095-29	Washer, Lock M7 X 18mm	3
22	54-60006-10	Motor, DC 12V - Includes:	1
23	54-60006-31	Brush Cap	2
24	54-60006-30SV	Brush/Cap Service Kit	2
25	22-50078-02 SV	Connector ( Mates With 22-50078-01 SV )	1
26	48-60237-00	Fan Cooling Fin	2
27	34-60000-25	Screw, Cap Hxhd M5 X 25mm	2
28	34-60095-25	Washer, Lock M5 X 12mm	2
29	34-60089-05	Nut, Lock M5	2
30	40-60007-02	Fitting	1
31	42-00243-09	O-Ring	1
32	14-60062-00	Valve,Solenoid, Hot Gas (HGS1)	1
33	14-60062-10	Repair Kit	1
34	22-60268-00	Coil 12V	2
35	14-00276-01	Valve,Solenoid, Condenser Closing Valve (HGS2)	1
36	14-00276-10	Repair Kit	1
37	12-60032-02	Switch, High Pressure (HP1)	1
38	101-1025	Switch, Fan Cycling (HP2)	1

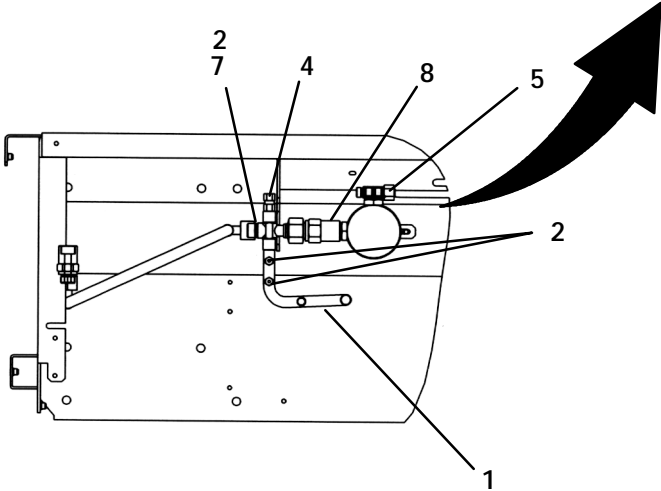
# INTEGRA 40/50S

## 5 DISCHARGE ASSEMBLY

### 5.1 Discharge Assembly



ROAD



ROAD / STANDBY

# INTEGRA 40/50S

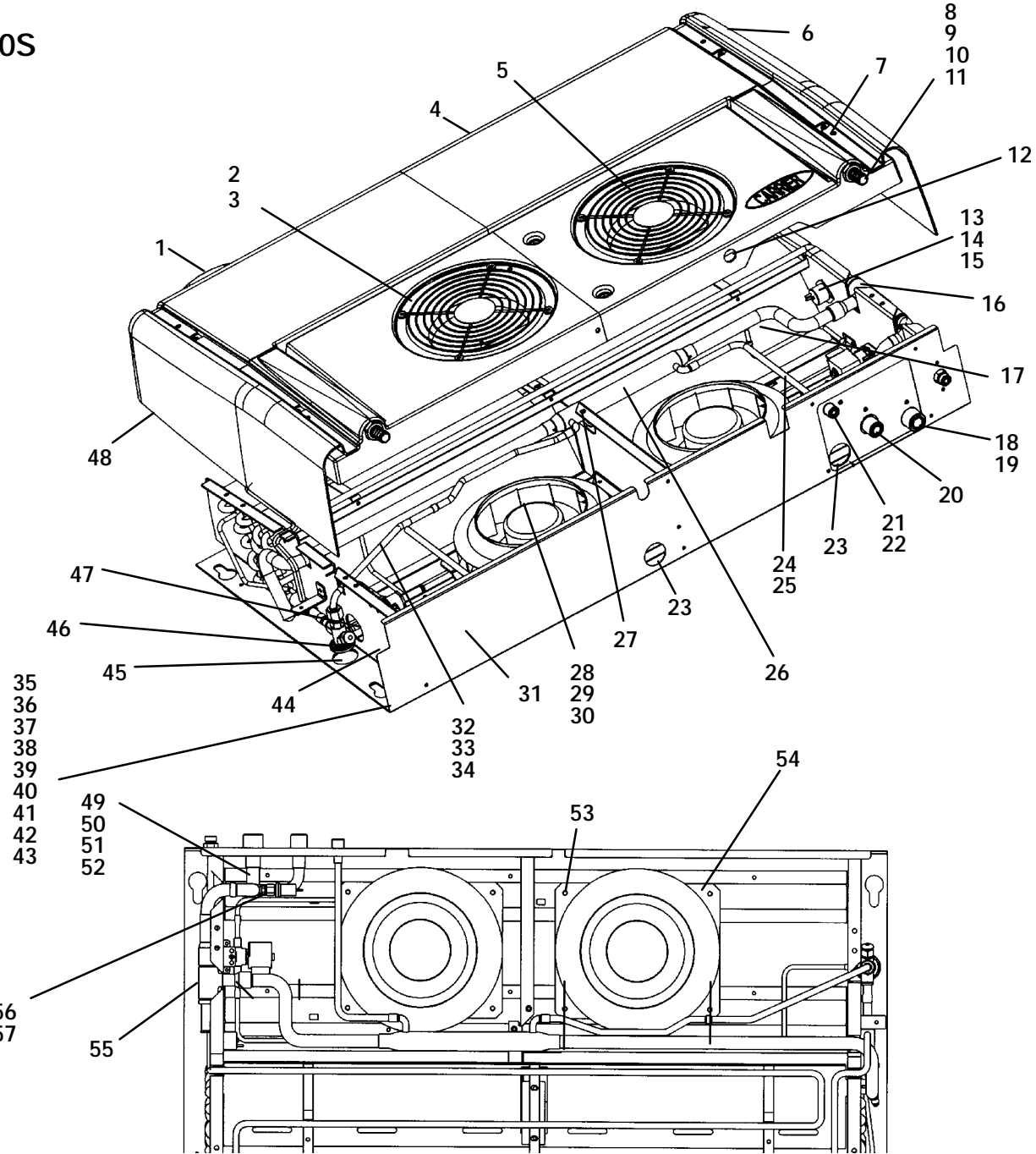
5.1 Discharge Assembly			
Item	Part Number	Description	Qty
1	81-60969-00	Disch. Line Asy Road/Standby Only - Includes:	1
	81-60380-00	Disch. Line Asy - Road Only - Includes:	1
2	40-60159-00	Fitting	2
3	42-00243-03	O-Ring	2
4	14-00272-01	Valve, Relief	1
5	42-00243-10	O-Ring	2
6	65-60057-00	Oil Separator	1
7	34-60068-20	Screw Road/Standby Only	1
8	14-00286-03	Check Valve Road/Standby Only	1

# INTEGRA 40/50S

## 6 EVAPORATOR

### 6.1 Evaporator - 40S

40S



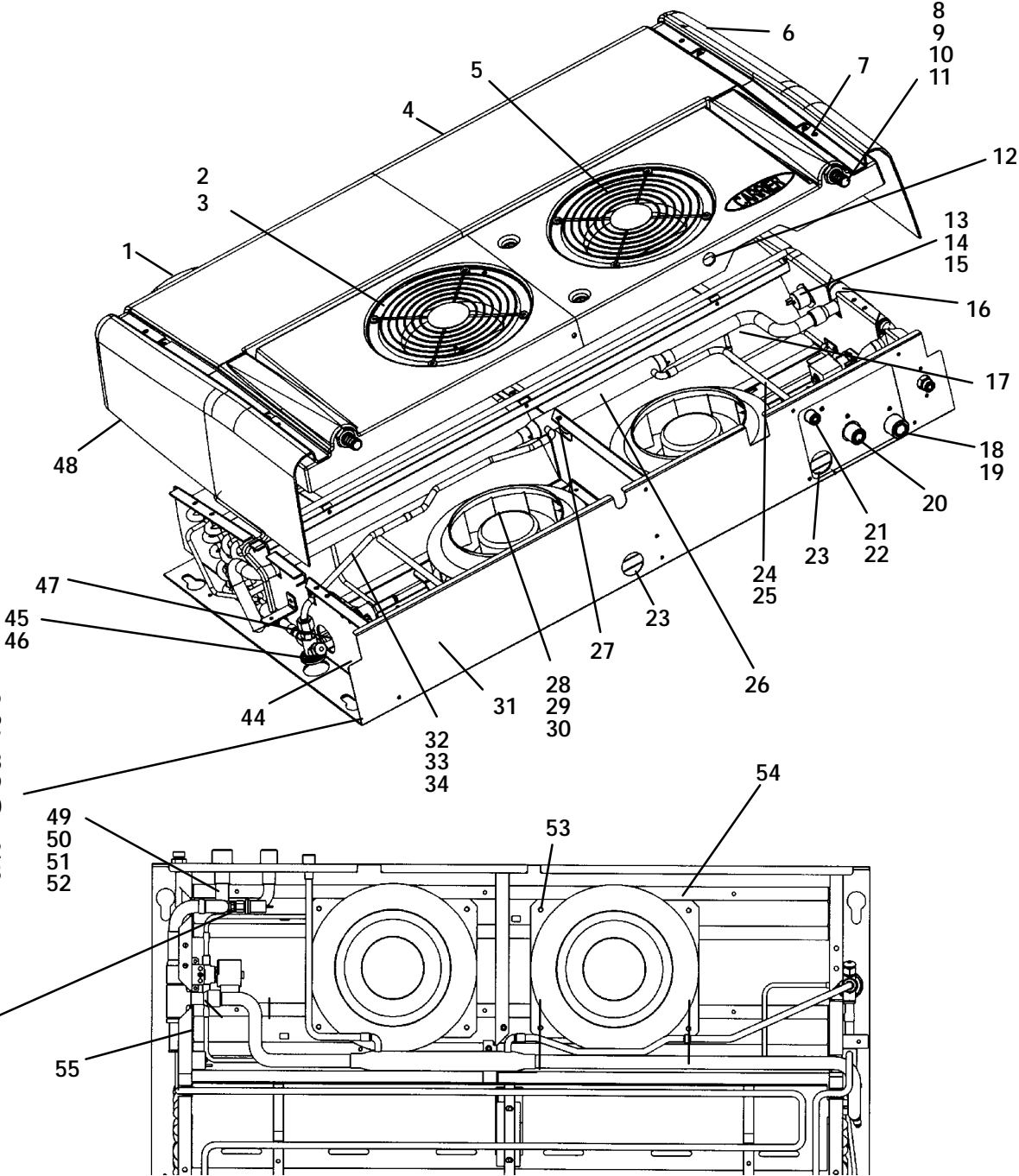
# INTEGRA 40/50S

6.1 Evaporator - 40S			
1	62-60390-02	Decal, Carrier	1
2	22-60167-01	Sensor Assy, Temp.	1
3	22-50078-02SV	Connector ( Mates With 22-50078-01SV )	1
4	58-60461-00	Skin	1
5	73-60039-00	Grille, Evap	2
6	58-60336-01	Skin	1
7	34-60141-00	Screw M5	17
8	58-60401-00	Nut	2
9	58-60399-00	Fitting	1
10	34-00945-06	Washer, Lock M6	2
11	58-60400-00	Hose, Water ( Cut To Length)	A/R
12	58-60298-03	Grommet	1
13	14-60055-00	Thermostat	1
14	34-01197-10	Screw, Cap Hxhd M4X10	8
15	34-00945-04	Washer, Lock, M4, Spring	8
16	44-60044-12	Clamp	1
17	81-60386-00	Tube Assy	1
18	40-60010-05	Plug, Female	1
19	42-00243-16	O-Ring	2
20	42-00243-03	O-Ring	2
21	42-00243-09	O-Ring	4
22	14-00286-00	Check Valve, Liquid Line	1
23	58-60298-04	Grommet	2
24	81-60120-00	Tube Assy - Includes:	1
25	40-60009-02	Fitting	1
26	08-60003-02	Heat Exchanger	1
27	44-60041-24	Clamp	1
28	54-00554-00	Fan And Motor 12V, Variable Speed	2
29	22-01613-08SV	Connector ( Mates With 22-01613-10SV )	1
30	34-60095-25	Washer, Lock M5X12	1
31	62-60774-00	Decal	1
32	81-60119-01	Tube Assy - Includes:	1
33	40-60165-00	Fitting	1
34	40-60170-02	Nut, Flare	1

# INTEGRA 40/50S

## 6.1 Evaporator - 40S (Continued)

40S



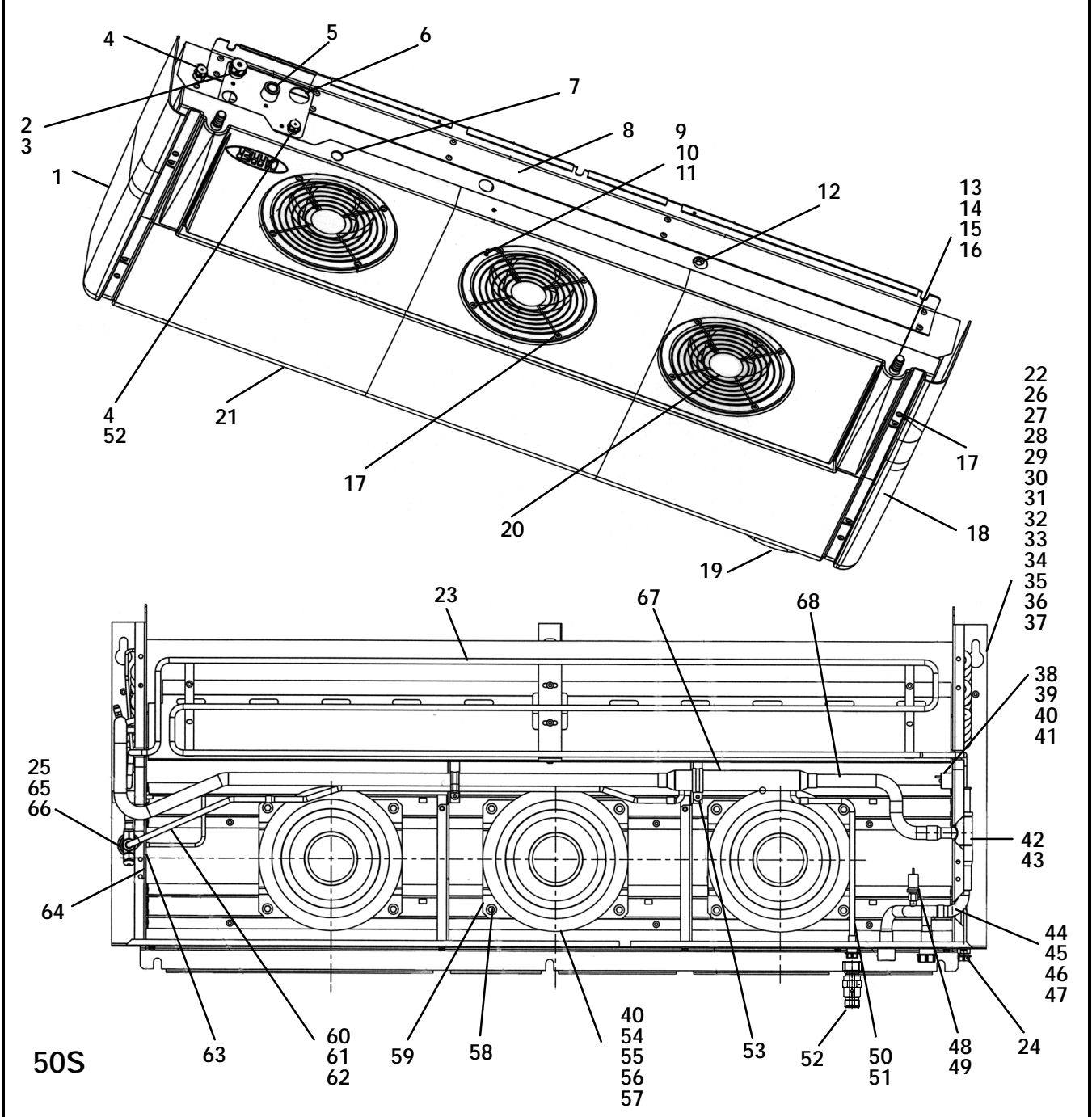
# INTEGRA 40/50S

6.1 Evaporator - 40S (Continued)			
35	79-60434-00	Evaporator Assy - Includes:	1
36	81-60384-00	Tube, Defrost	1
37	40-60007-02	Fitting	1
38	68-60651-00	Bracket, Expansion Valve	1
39	34-01184-05	Nut, Lock	1
40	44-60041-14	Clamp	1
41	34-60000-16	Screw, Cap Hxhd M5X16	1
42	34-60095-27	Washer, Lock M6X14	1
43	34-01152-20	Screw, Cap Hxhd M6X20	1
44	62-60063-00	Decal, R404A	1
45	14-60009-03	Orifice	1
46	14-60039-03	Valve, Expansion	1
47	58-60302-07	Grommet	1
48	58-60335-01	Skin	1
49	81-60379-00	Tube - Includes:	1
50	40-60169-05	Fitting 5/8"	1
51	40-60169-06	Fitting 3/4"	1
52	40-60159-00	Fitting, 1/4 Schrader	1
53	34-60068-20	Screw, M6X20	10
54	68-60672-00	Bracket	2
55	14-60000-01	Valve, Pressure Reg	1
56	12-60015-04	Pressure Switch, Low	1
57	22-02392-00SV	Connector ( Mates With 22-01585-00SV )	1



# INTEGRA 40/50S

## 6.2 Evaporator - 50S

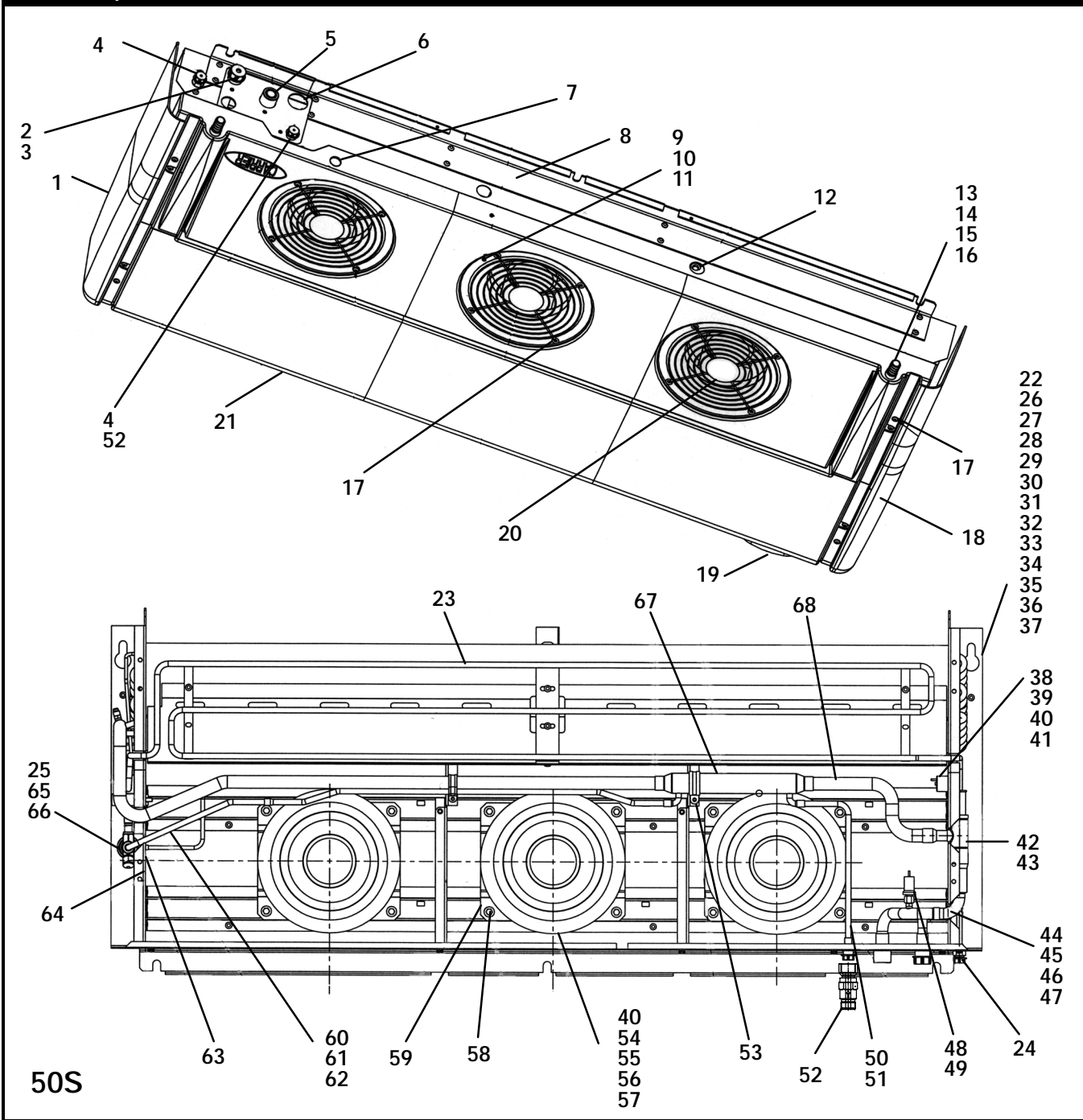


# INTEGRA 40/50S

6.2 Evaporator - 50S			
1	58-60335-01	Skin	1
2	42-00243-03	O-Ring	1
3	40-60010-05	Plug, Female, ORS, 3/4 Tube	1
4	42-00243-09	O-Ring	1
5	42-00243-11	O-Ring	2
6	58-60298-04	Grommet	1
7	58-60298-01	Grommet	1
8	62-60774-01	Decal	1
9	22-60167-01	Sensor Assy	1
10	22-50078-02SV	Connector ( Mates With 22-50078-01SV )	1
11	34-00373-50	Clamp, Tube	1
12	58-60298-03	Grommet	4
13	58-60399-00	Fitting	2
14	58-60400-00	Hose, Water ( Cut To Length)	A/R
15	58-60401-00	Nut, M20 X 1.5	2
16	42-60042-01	Gasket	2
17	34-60141-00	Screw M5	22
18	58-60336-01	Skin	1
19	62-60390-02	Decal, Carrier	1
20	58-60485-00	Grille, Evap	3
21	58-60431-00	Skin	1
22	79-60412-00	Evaporator Assy - Includes:	1
23	81-60324-00	Tube, Defrost	1
24	40-60007-02	Fitting	1
25	68-60651-00	Bracket, Expansion Valve	1
26	34-01184-05	Nut, Lock	1
27	44-60041-14	Clamp	1
28	34-60000-16	Screw, Cap Hxhd M5X16	2
29	34-60095-25	Washer, Lock M5X12	1
30	34-60095-27	Washer, Lock M6X14	1
31	34-01152-20	Screw, Cap Hxhd M6X20	1
32	68-60990-00	Bracket	1
33	56-61120-00	Tube, Liquid, 3/8 OD X .028 W	1
34	67-60068-00	Bracket	1
35	67-60069-00	Bracket	1
36	68-61267-00	Bracket	1
37	44-60044-12	Clamp, 1 1/8 Cushion	1

# INTEGRA 40/50S

## 6.2 Evaporator - 50S (Continued)

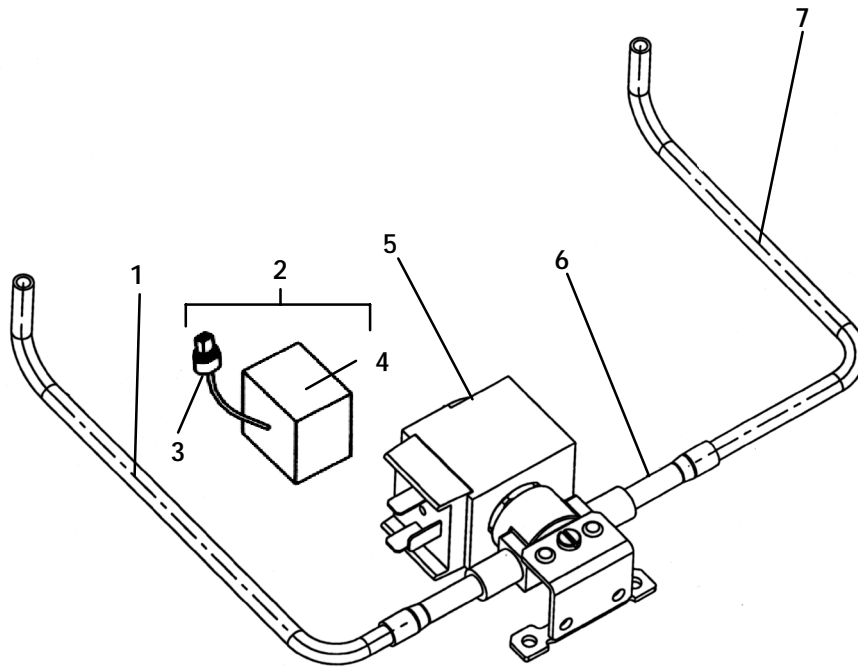


# INTEGRA 40/50S

6.2 Evaporator - 50S (Continued)			
38	14-60055-00	Defrost Thermostat	1
39	22-50078-01SV	Connector ( Mates With 22-50078-02SV )	1
40	34-01197-10	Screw, Cap Hxhd M4X10	14
41	34-60095-24	Washer, Lock M4X10	2
42	14-60000-01	Valve, Pressure Reg	1
43	44-60044-12	Clamp	2
44	81-60301-00	Tube Assy	1
45	40-60169-05	Fitting 5/8"	1
46	40-60169-06	Fitting 3/4"	1
47	40-60159-00	Fitting	1
48	12-60015-04	Pressure Switch	1
49	22-02392-00SV	Connector ( Mates With 22-01585-00SK )	1
50	81-60120-00	Tube Assy, Liquid Line	1
51	40-60169-02	Fitting 3/8", ORFS	1
52	14-00286-00	Check Valve, Liquid Line	1
53	44-60041-49	Clamp	1
54	54-00554-00	Fan And Motor 12V, Variable Speed	3
55	22-01613-08	Connector ( Mates With 22-01613-10 )	1
56	34-00945-04	Washer, Lock M4	12
57	48-60189-01	Spacer	12
58	34-60068-20	Screw, M6X20	17
59	68-60672-00	Bracket	3
60	81-60119-01	Tube Assy, Heat Exchanger	1
61	40-60165-00	Fitting	1
62	40-60170-02	Nut, Flare	1
63	58-60302-07	Grommet	1
64	62-60063-00	Decal, R404A	1
65	14-60039-03	Valve, Expansion	1
66	14-60009-04	Orifice	1
67	08-60003-00	Heat Exchanger	1
68	81-60300-00	Tube Assy, Suction	1

# INTEGRA 40/50S

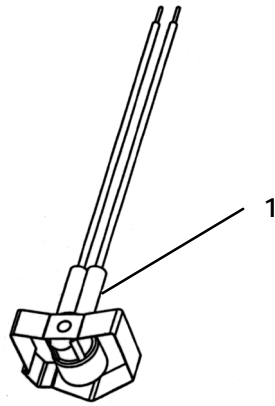
## 6.3 Evaporator - 40 And 50S Injection Solenoid Valve



Item	Part Number	Description	Qty
1	-	Tube, Copper	1
2	22-60419-00	Adapter Harness Valve - Includes:	1
3	22-01585-00SV	Connector (Mates With 22-02392-00SV)	1
4	22-60068-00	Valve, Connector	1
5	22-60405-00	Coil, 12 V	1
6	14-00269-01	Valve Body	1
7	-	Tube, Copper	1

# INTEGRA 40/50S

## 7 INJECTION KIT 7.1 Injection Kit

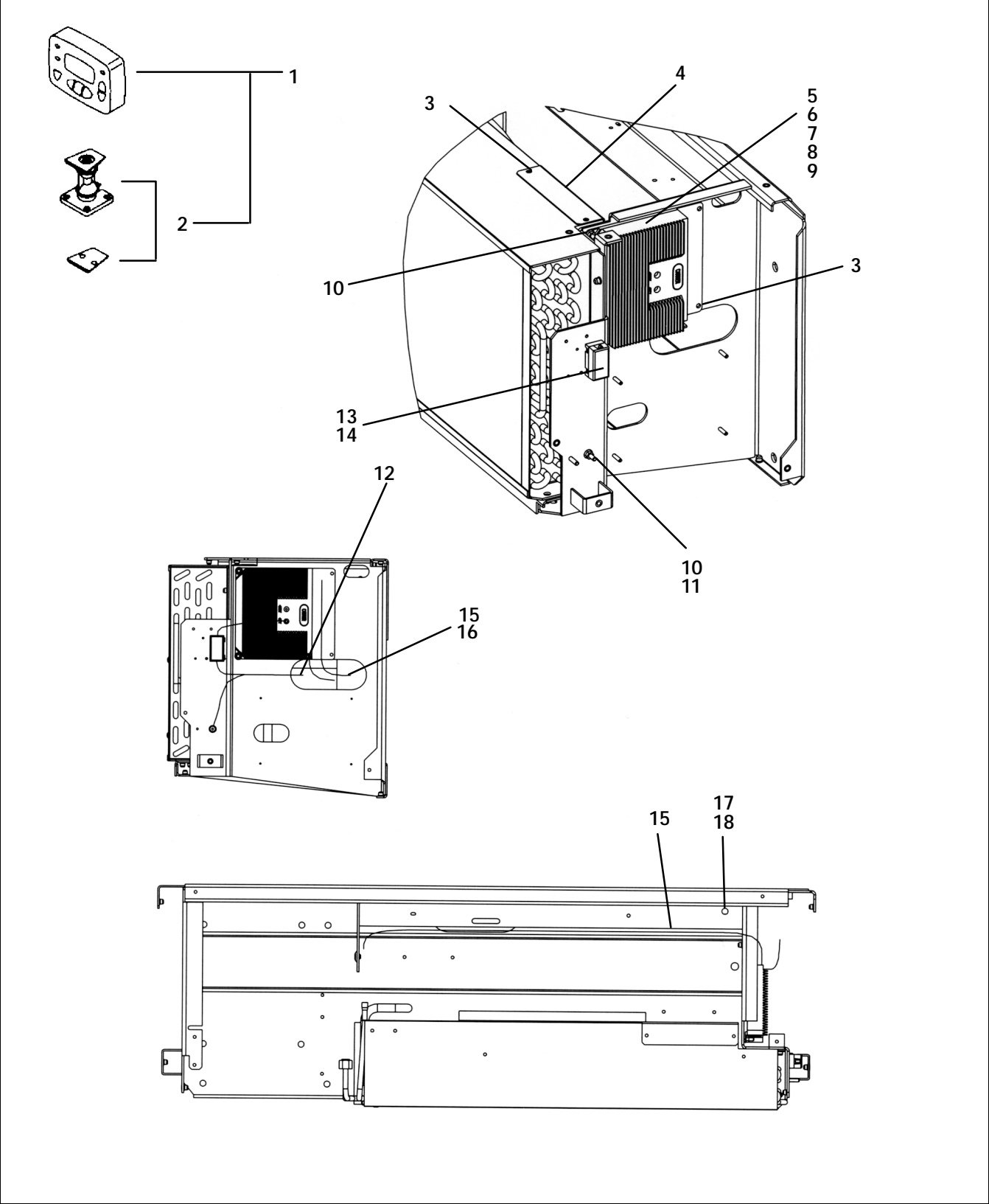


Item	Part Number	Description	Qty
1	12-00507-00	Thermostat, Injection	1

# INTEGRA 40/50S

## 8 ELECTRICAL

### 8.1 Electrical - Road



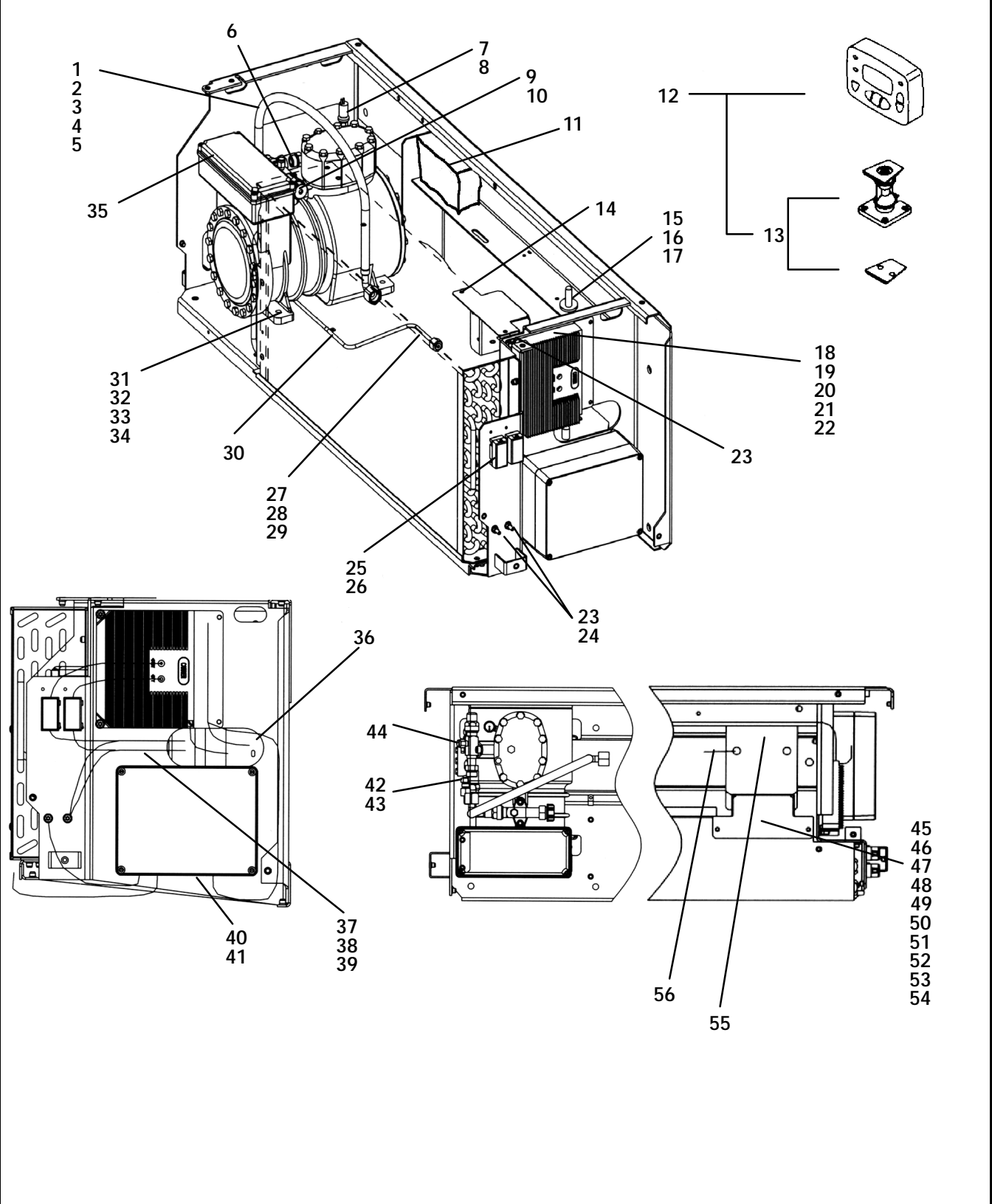
# INTEGRA 40/50S

8.1 Electrical - Road			
1	79-60428-00	Cab Command - Includes	1
2	22-60166-00	Bracket	1
3	34-60068-20	Screw, M6 X 20mm	5
4	68-61433-00	Cover	1
5	12-00526-02	Logic Board - Includes:	1
6	12-00526-89	Fuse, 630mA	1
7	22-60551-00	Command Cab Cable 10M	1
8	22-60551-01	Command Cab Cable 13M (Option)	1
9	76-61057-00	Power Stud Seal Kit, Microprocessor	1
10	34-60089-06	Nut, Lock, M6	3
11	34-00945-06	Washer, Lock, M6	1
12	22-60539-00	Cable, Battery, 12VDC, 3 Fans - Includes:	1
13	22-60345-00	Midifuse Bracket	1
14	22-60340-01	Fuse, 50A	1
15	-	Harness - See 8.3.1	1
16	22-50078-04SV	Connector (Mates With 22-50078-03SV)	1
17	58-60158-00	Cap, Seal	1
18	62-60871-00	Decal, Emergency Button	1



# INTEGRA 40/50S

## 8.2 Electrical - Road/Standby

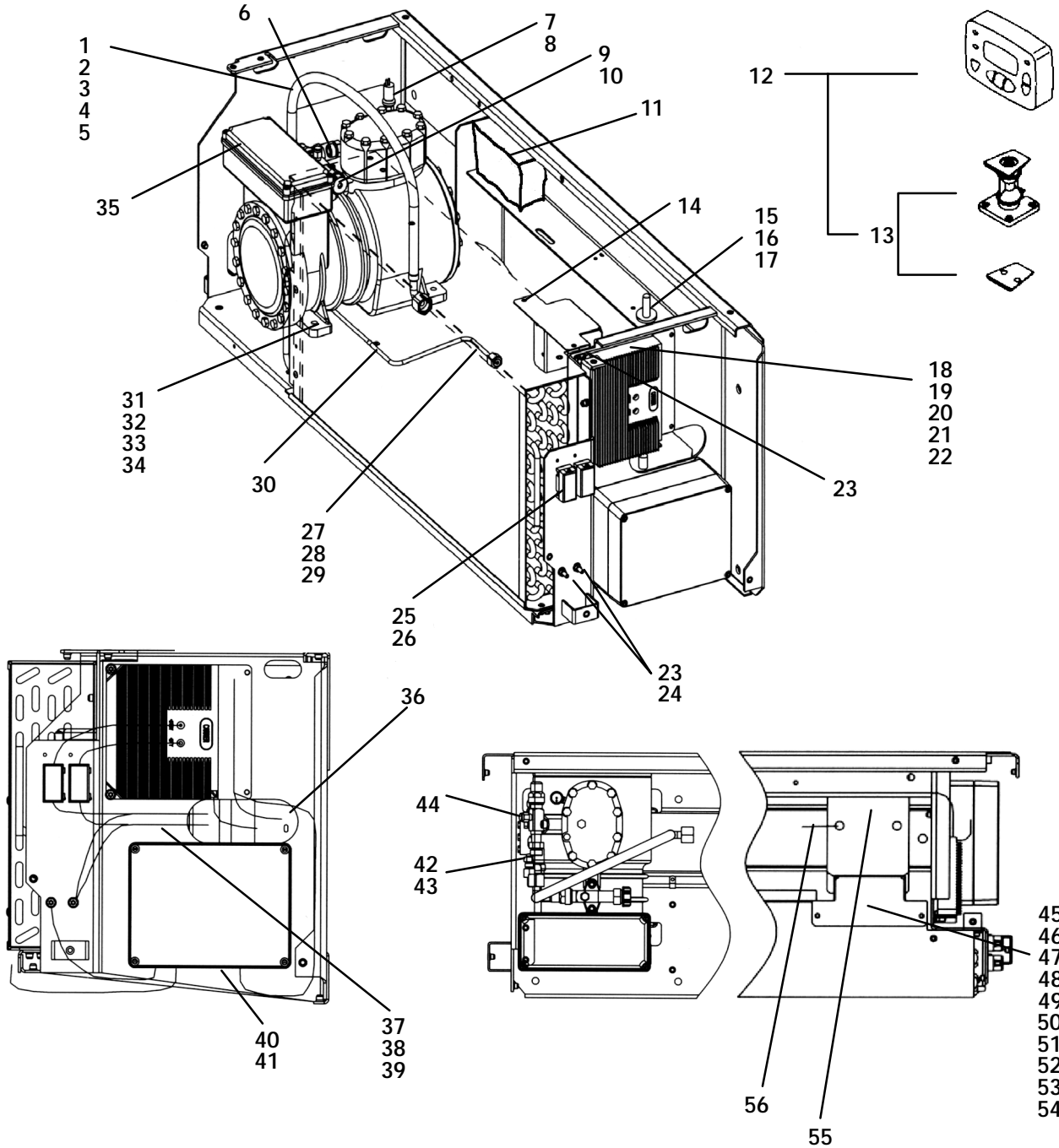


# INTEGRA 40/50S

8.2 Electrical - Road/Standby			
1	58-60115-03	Hose, Electric Compressor Discharge	A/R
2	40-60047-03	Fitting	1
3	40-60048-03	Fitting 90 Deg.	1
4	34-60019-03	Clamp	2
5	42-00243-04	O-Ring	2
6	40-60007-15	Fitting	1
7	12-60032-04	Switch, High Pressure (HP3)	1
8	40-60155-00	Elbow	1
9	42-00243-03	O-Ring	1
10	40-60007-09	Fitting	1
11	91-60190-03	Start Box Assy - 230V, 1Ø - See 8.3.4	1
12	79-60428-00	Cab Command - Includes:	1
13	22-60166-00	Bracket	1
14	34-60068-20	Screw, M6 X 20mm	9
15	58-60158-00	Cap, Seal	1
16	62-60871-00	Decal, Emergency Switch	1
17	22-60583-00	Switch, Molded Toggle	1
18	12-00526-02	Logic Board - Includes:	1
19	12-00526-89	Fuse, 630mA	1
20	22-60551-00	Command Cab Cable 10M	1
21	22-60551-01	Command Cab Cable 13M (Option)	1
22	76-61057-00	Power Stud Seal Kit, Microprocessor	1
23	34-60089-06	Nut, Lock, M6	2
24	34-00945-06	Washer, Lock, M6	2
25	22-60345-00	Midifuse Bracket	1
26	22-60340-01	Fuse, 50A	1
27	PL	Tube	1
28	40-60009-01	Nut	2
29	40-60008-01	Sleeve	2
30	44-60048-06	Clip	1
31	34-00873-65	Screw, Cap HexHd M10 X 65mm	4
32	34-00944-10	Washer, Flat, M10	8
33	48-60188-30	Spacer	4
34	34-01184-60	Nut, Lock, M10	4
35	18-00086-01	Compressor 230/1/60	1
	18-00086-03	Compressor 230/3/60 - 40S Only	1
	18-60048-01	Compressor 230/3/60 - 50S Only	1
36	-	Harness - See 8.3.1	1
37	22-60539-00	Cable, Battery, 12VDC, 3 Fans - Includes:	1
38	22-60345-00	Midifuse Bracket	1
39	22-60340-01	Fuse, 50A	1
40	91-60178-20	Control Box Assy, 12VDC, 230/3/60 - See 8.3.2	1
	91-60178-50	Control Box Assy, 12VDC, 230/1/60 - See 8.3.3	1
41	34-60089-05	Nut, Lock, M5	4
42	10-60201-00	Fitting	1
43	42-00243-10	O-Ring	1
44	40-60041-00	Adapter, LP, Straight Valve	1

# INTEGRA 40/50S

## 8.3 Electrical - Road/Standby (Continued)

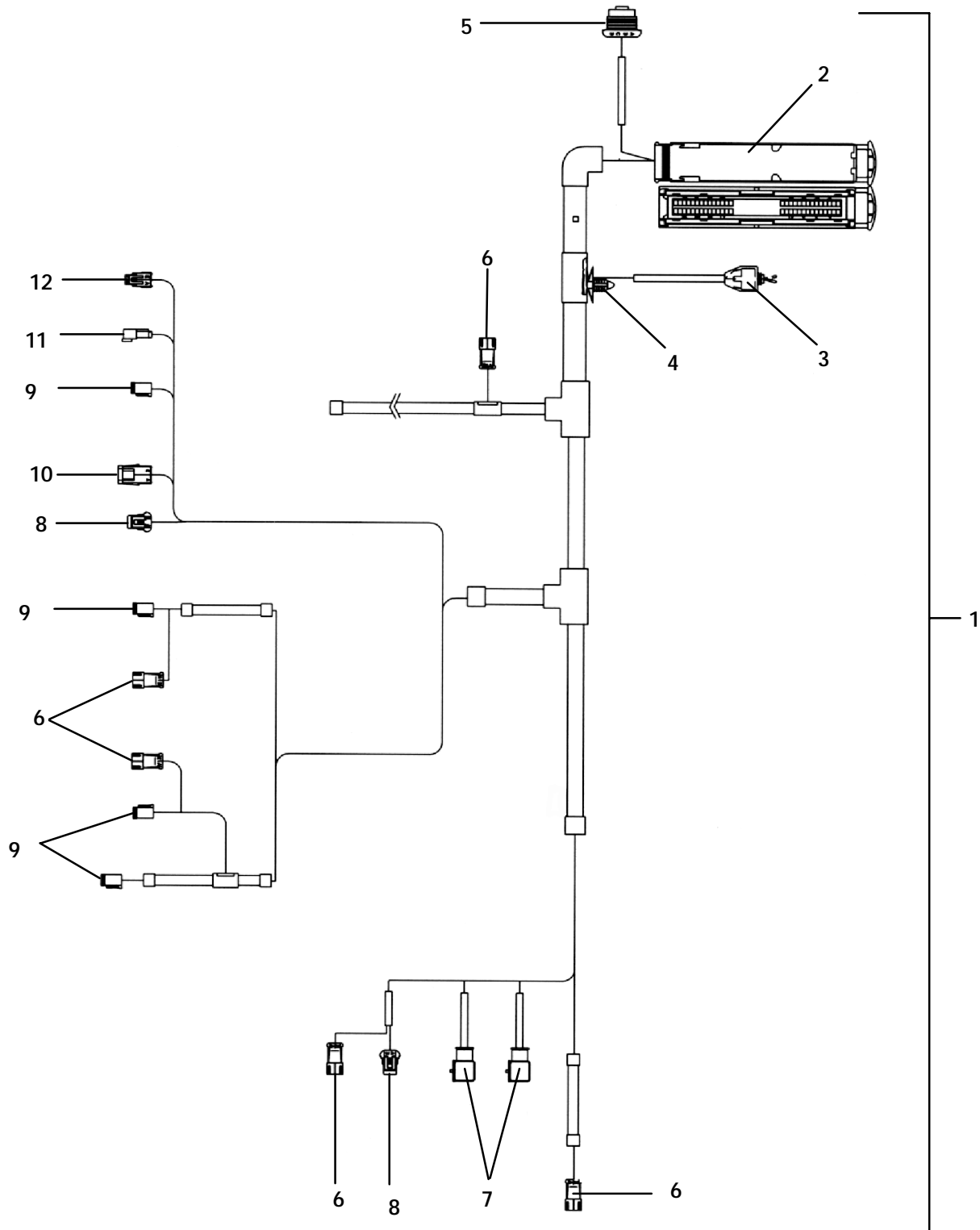


# INTEGRA 40/50S

<b>8.3 Electrical - Road/Standby (Continued)</b>			
45	91-60180-40	Voltage Regulator Assy, 230 VAC, 12V, 3Ø And 1Ø - Includes:	1
46	79-60431-00	Rectifier Assembly	1
47	34-60089-05	Nut, Lock M5	4
48	34-60000-10	Screw, Hex M5-10	4
49	68-61408-00	Cover - <b>3Ø, Road Only</b>	1
50	22-01613-25SV	Connector, 12 Wires ( Mates With 22-01613-00SV )	1
51	22-01613-02SV	Connector ( Mates With 22-01613-00SV )	1
52	68-61861-00	Cover, <b>1Ø Only</b>	1
53	22-60686-00	Resistor, <b>1Ø Only</b>	1
54	10-60040-05	Capacitor, 47000mfd, <b>1Ø Only</b>	1
55	10-00423-00	Transformer, 12V 3Ø, <b>Integra 40S Only</b> - Includes:	1
	10-00423-02	Transformer, 12V 3Ø, <b>Integra 50S Only</b> - Includes:	1
	10-00440-00	Transformer, 12V 1Ø - Includes:	1
56	22-60546-00	Cable, 12V, 3Ø Diode Bridge	1
	22-60546-04	Cable, 12V, 1Ø Diode Bridge	1

# INTEGRA 40/50S

## 8.3.1 Electrical - Harness

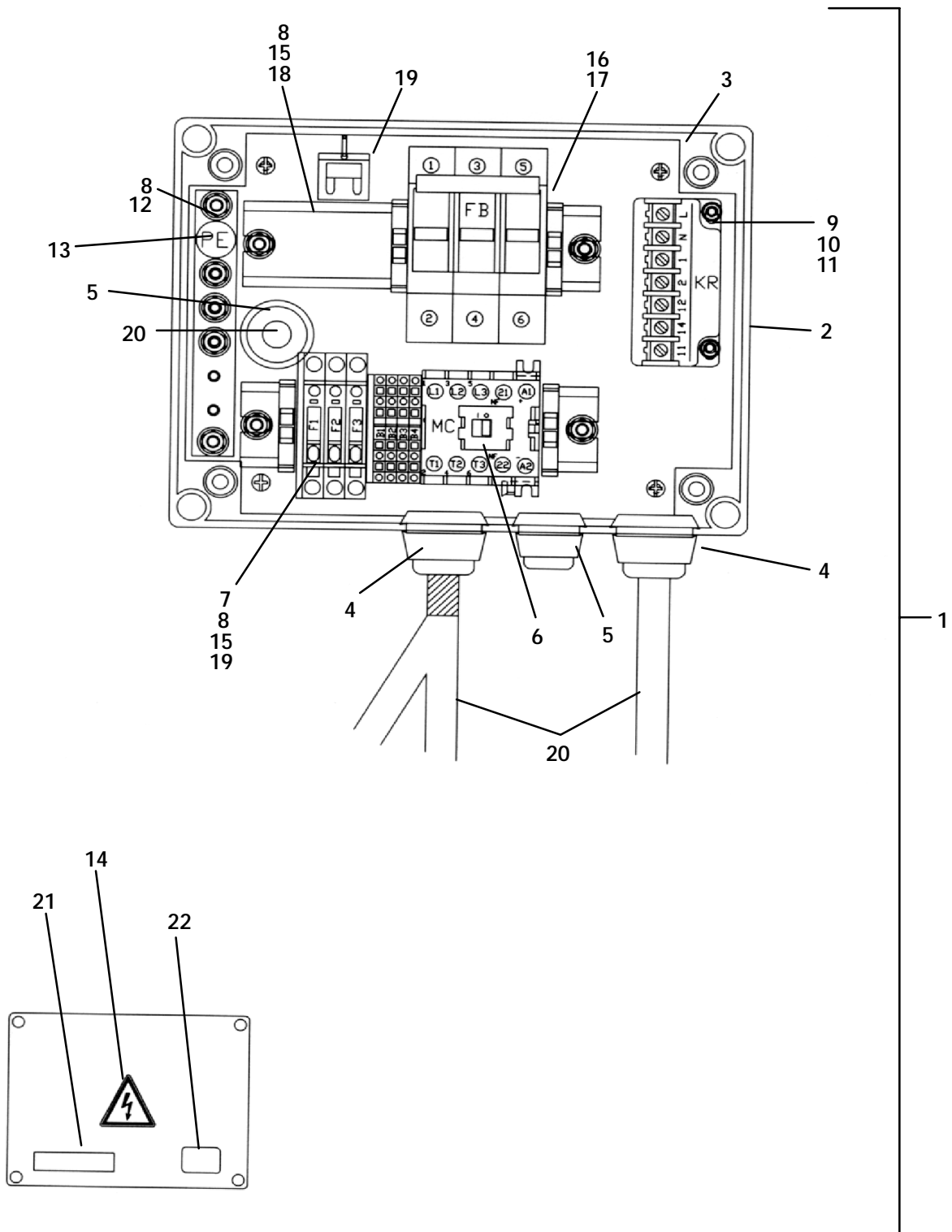


# INTEGRA 40/50S

8.3.1 Electrical - Harness			
1	22-60520-01	Harness, Microprocessor - Includes:	1
2	22-60536-00	Housing, Female, 56 Wire And Pin Kit	1
3	22-60583-00	Switch, Toggle, Molded	1
4	58-60282-00	Retainer	1
5	22-50078-03SV	Connector ( Mates With 22-50078-04SV )	1
6	22-50078-01SV	Connector ( Mates With 22-50078-02SV )	1
7	22-60068-00	Valve, Connector	2
8	22-50078-02SV	Connector ( Mates With 22-50078-01SV )	1
9	22-01613-10	Plug 4 Pin ( Mates With 22-01613-08SV )	2
10	22-02392-00SV	Connector ( Mates With 22-01585-00SV )	1
11	22-01613-00	Connector ( Mates With 22-01613-02SV )	1
12	22-01585-00SV	Connector ( Mates With 22-02392-00SV )	1

# INTEGRA 40/50S

## 8.3.2 Electrical - Control Box - 230/3/60



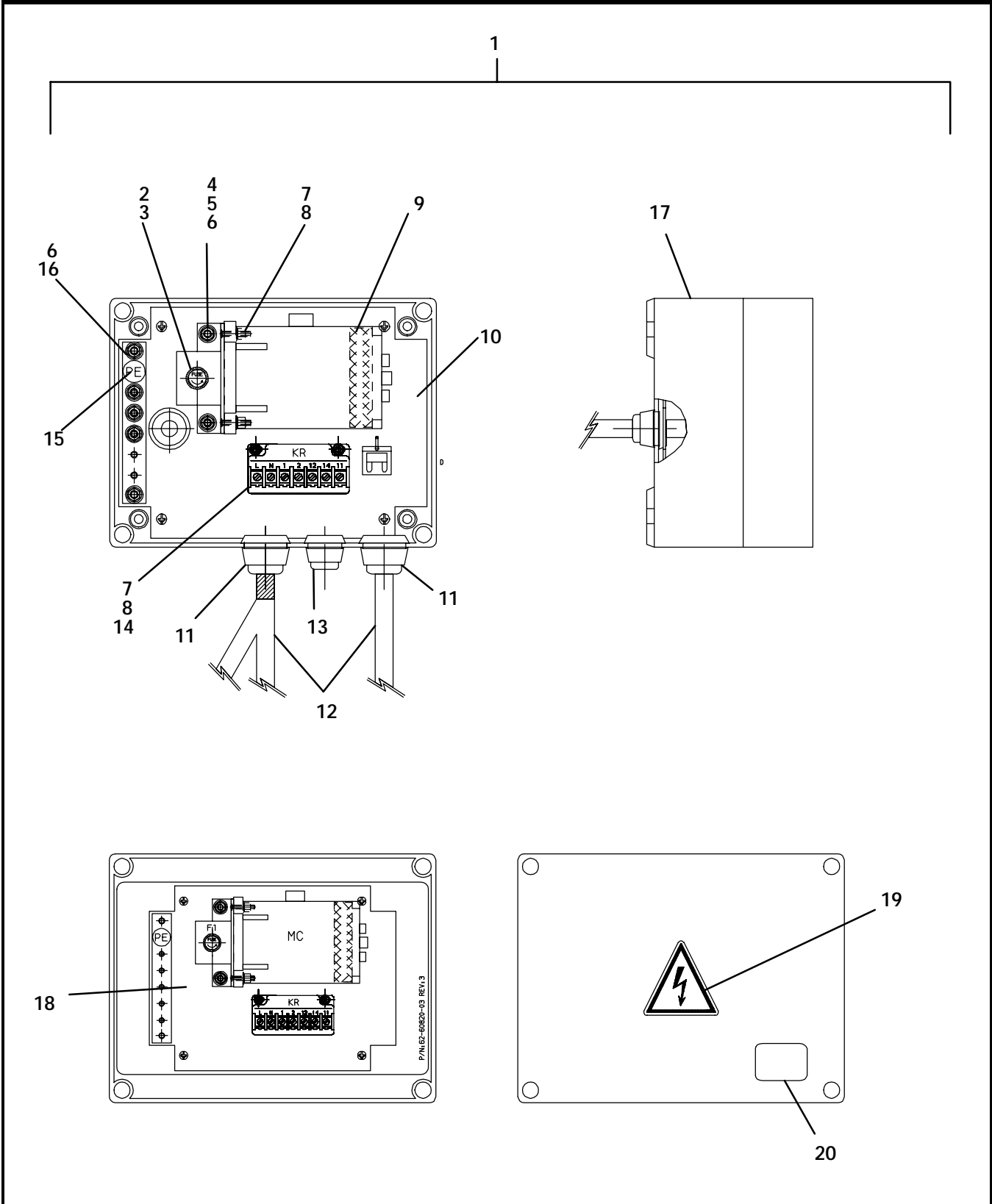
# INTEGRA 40/50S

8.3.2 Electrical - Control Box - 230/3/60			
1	91-60178-20	Control Box Assy, 12VDC, 230/3/60 - Includes:	1
2	58-60469-00	Box, 230V	1
3	68-61393-00	Bracket	1
4	58-60298-03	Grommet	2
5	58-60298-02	Grommet	2
6	12-60044-05	Contactora, 3 Poles, 12VDC	1
7	22-60537-00	Junction Block	1
8	34-60089-05	Nut, Lock, M5	9
9	10-60030-02	Protector Kriwan, Motor Ac	1
10	34-01184-54	Nut, Lock, M4	2
11	34-60095-04	Washer, Lock, M4 X 8mm	2
12	68-61394-00	Strap	1
13	62-60180-01	Decal, Ground	1
14	62-60181-00	Decal, Power	1
15	58-60324-02	Cap	4
16	22-60540-00	Fuse Holder	1
17	22-60543-06	Fuse, 10A, 500V	3
18	22-60537-02	Junction Block For Fuse Block	1
19	22-60102-05	Fuse 3.15A 250V	1
20	22-60538-03	Harness, Control Box	1
21	62-60408-11	Decal, Voltage, 230/3/60	1
22	62-60870-00	Decal, Voltage, 12VDC	1



# INTEGRA 40/50S

## 8.3.3 Electrical - Control Box - 230/1/60

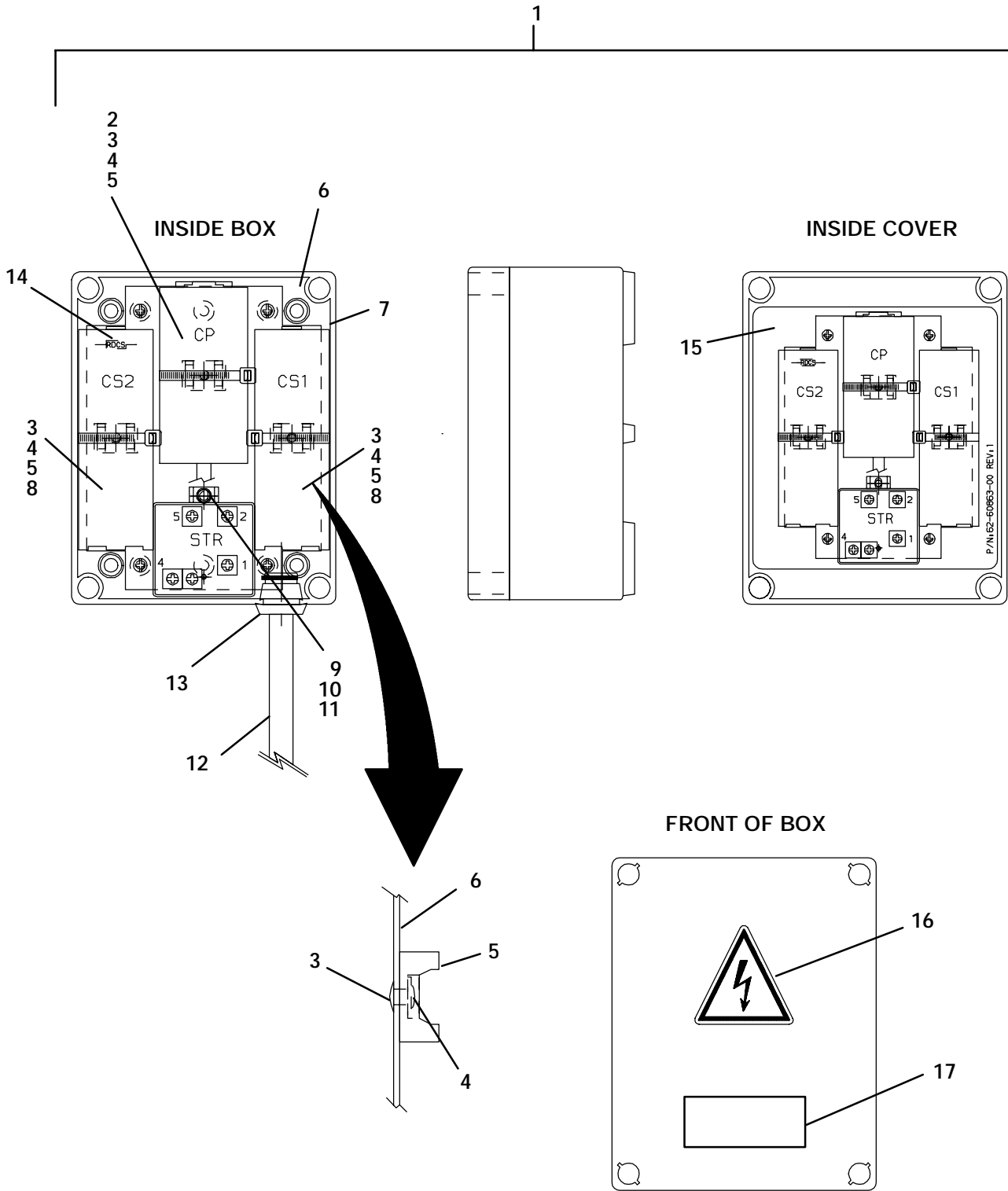


# INTEGRA 40/50S

8.3.3 Electrical - Control Box - 230/1/60			
1	91-60178-50	Control Box Assy, 12VDC, 230/1/60 - Includes:	1
2	22-60567-00	Fuse Holder	1
3	22-60102-07	Fuse 6.3A 250V	2
4	58-60324-02	Cap	3
5	68-61466-00	Bracket	1
6	34-60089-05	Nut, Lock, M5	4
7	34-01184-54	Nut, Lock, M4	2
8	34-60095-04	Washer, Lock, M4 X 8mm	2
9	10-00391-20	Contactora, 3 Poles, 12VDC	1
10	68-61393-02	Bracket	1
11	58-60298-03	Grommet	2
12	22-60538-04	Harness, Control Box	1
13	58-60298-02	Grommet	2
14	10-60030-02	Protector Kriwan, Motor Ac	1
15	62-60180-01	Decal, Ground	1
16	68-61394-00	Strap	1
17	58-60469-01	Box, 230V	1
18	62-60820-03	Decal, Box	1
19	62-60181-00	Decal, Power	1
20	62-60870-00	Decal, Voltage, 12VDC	1

# INTEGRA 40/50S

## 8.3.4 Electrical - Start Box Assy



# INTEGRA 40/50S

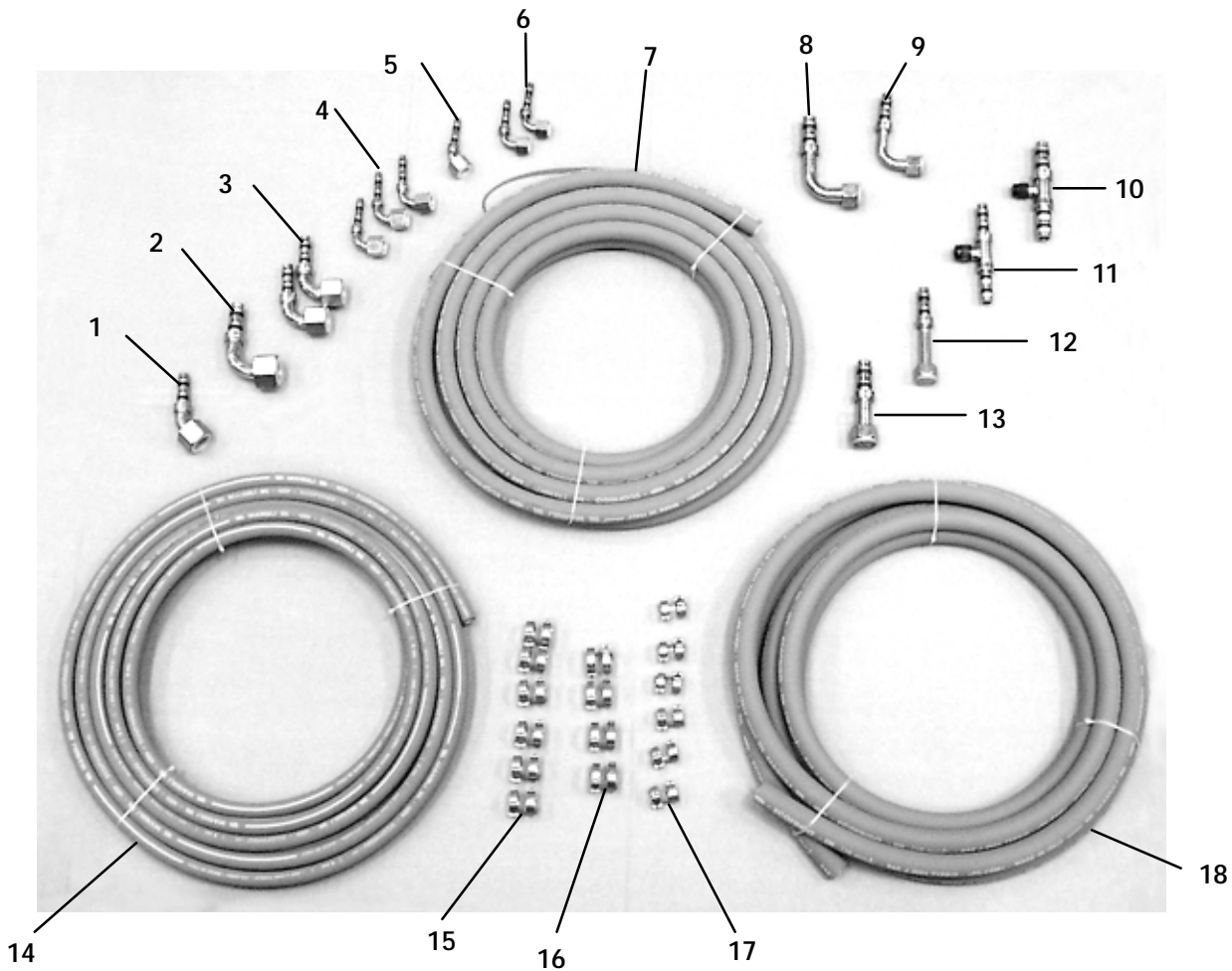
## 8.3.4 Electrical - Start Box Assy

1	91-60190-03	Start Box Assy, 12VDC, 230/1/60 - Includes:	1
2	10-60047-08	Capacitor, Run, 40mfd	1
3	34-00774-08	Rivet	3
4	34-60002-54	Washer, M4, Belleville	3
5	44-60061-00	Base	3
6	68-61480-00	Bracket	1
7	58-60493-01	Box	1
8	10-60048-03	Capacitor, Start, 150mfd	2
9	10-00424-01	Relay, Start	1
10	34-01184-54	Nut, Lock, M4	1
11	34-60095-04	Washer, Lock, M4 X 8mm	1
12	22-60568-01	Harness	1
13	58-60298-01	Grommet	1
14	22-60397-02	Resistor	1
15	62-60863-00	Decal, Start Box	1
16	62-60181-00	Decal, Power	1
17	62-60408-08	Decal, Voltage, 230/1/60	1

# INTEGRA 40/50S

## 9 HOSE KIT

### 9.1 Hose Kit

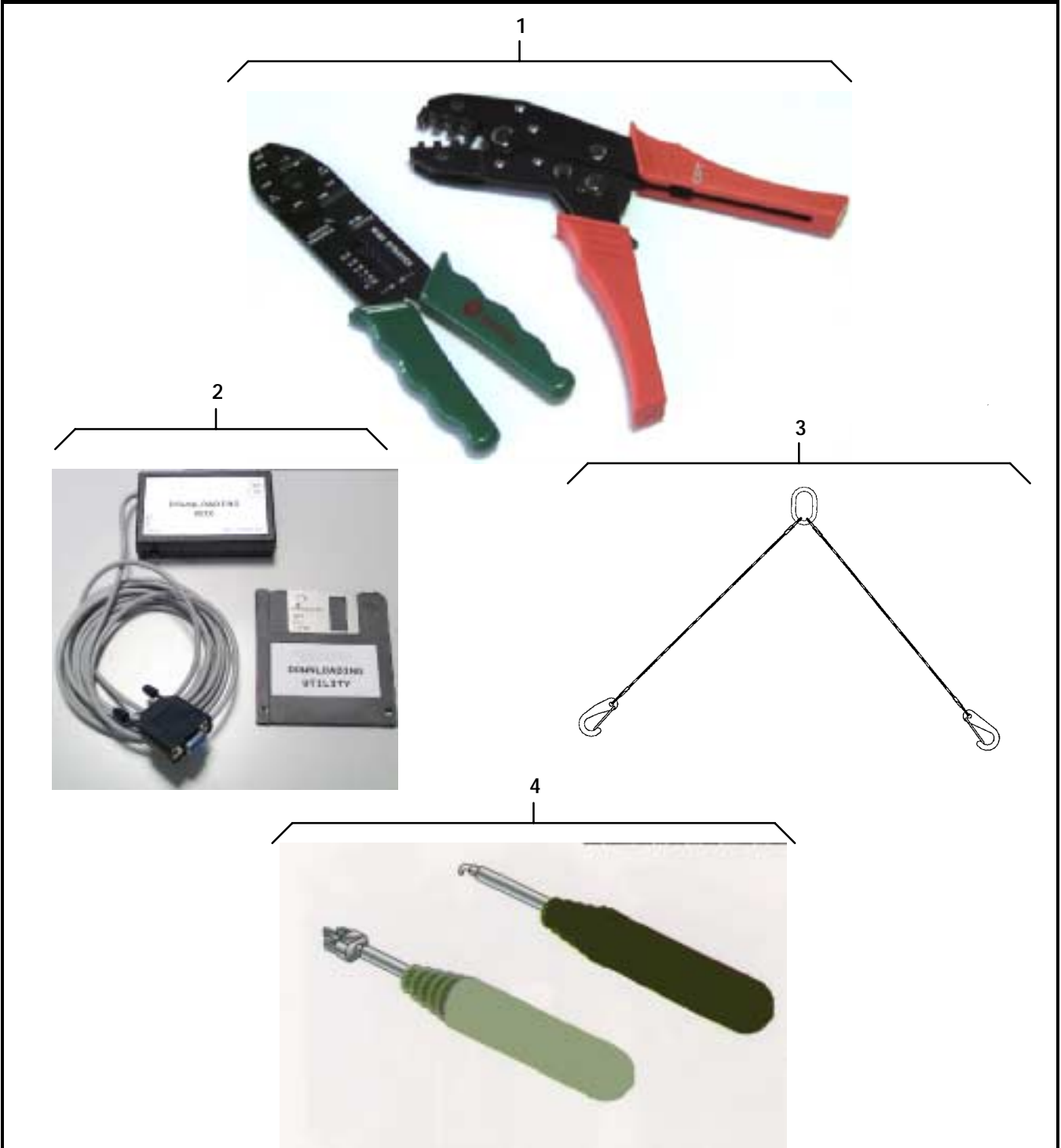


Item	Part Number	Description	Qty
1	40-60049-04	Fitting, 135 Deg.	1
2	40-60048-05	Fitting, 90 Deg.	1
3	40-60048-04	Fitting, 90 Deg.	2
4	40-60048-02	Fitting, 90 Deg.	3
5	40-60049-02	Fitting, 135 Deg.	1
6	40-60048-01	Fitting	2
7	58-60115-04	Hose, Module 10	A/R
8	40-60061-07	Fitting	1
9	40-60061-06	Fitting	1
10	40-60058-05	Valve	1
11	40-60059-04	Valve	1
12	40-60060-06	Fitting	1
13	40-60060-07	Fitting	1
14	58-60115-02	Hose, Module 6	A/R
15	34-60019-04	Clamp, Module 10	6
16	34-60019-05	Clamp, Module 12	4
17	34-60019-02	Clamp, Module 6	6
18	58-60115-05	Hose, Module 12	A/R

# INTEGRA 40/50S

## 10 SERVICE TOOLS

### 10.1 Service Tools



Item	Part Number	Description	Qty
1	07-60089-00	Set Of Crimping Pliers For 56-Wire Connector	1
2	76-61011-00	Download Box	1
3	07-60091-00	Lifting Device	1
4	07-60090-00	Connector Remover Tool Set For 56-Wire Connector	1

# PART NUMBER INDEX

PART NO.	PAGE NO.	PART NO.	PAGE NO.	PART NO.	PAGE NO
07-60089-00	33	18-60048-01	1, 21	22-60543-06	1, 27
07-60090-00	33	22-00526-89	1	22-60546-00	23
07-60091-00	33	22-01585-00SV	1, 16, 25	22-60546-04	23
08-60003-00	15	22-01613-00	1, 25	22-60551-00	19, 21
08-60003-02	9	22-01613-02	1	22-60551-01	19, 21
08-60121-00	5	22-01613-02SK	5	22-60567-00	29
10-00391-20	29	22-01613-02SV	23	22-60568-01	1, 31
10-00423-00	5, 23	22-01613-08	1, 15	22-60583-00	21, 25
10-00423-02	5, 23	22-01613-08SV	9	22-60686-00	23
10-00424-01	31	22-01613-10	1, 25	34-00373-50	13
10-00440-00	5, 23	22-01613-25	1	34-00774-08	31
10-60030-02	27, 29	22-01613-25SK	5	34-00873-65	21
10-60040-05	23	22-01613-25SV	23	34-00944-10	21
10-60047-08	31	22-02336-02	1	34-00945-04	9, 15
10-60048-03	31	22-02392-00SV	1, 11, 15, 25	34-00945-06	9, 19, 21
10-60201-00	21	22-50078-01SV	1, 15, 25	34-01152-20	11, 13
101-1025	1, 5	22-50078-02 SV	5	34-01184-05	11, 13
12-00507-00	1, 17	22-50078-02SV	1, 9, 13, 25	34-01184-54	27, 29, 31
12-00526-02	19, 21	22-50078-03SV	1, 25	34-01184-60	21
12-00526-89	19, 21	22-50078-04SV	1, 19	34-01184-64	3
12-60015-04	1, 11, 15	22-50078-21	1	34-01197-10	9, 15
12-60032-02	1, 5	22-60068-00	16, 25	34-01249-29	3
12-60032-04	1, 21	22-60102-05	1, 27	34-60000-10	23
12-60044-05	27	22-60102-07	1, 29	34-60000-16	11, 13
14-00269-01	16	22-60166-00	19, 21	34-60000-25	5
14-00272-01	7	22-60167-01	1, 9, 13	34-60001-20	5
14-00276-01	5	22-60268-00	5	34-60002-54	31
14-00276-10	5	22-60340-01	1, 19, 21	34-60014-00	3
14-00286-00	9, 15	22-60345-00	19, 21	34-60019-02	32
14-00286-03	7	22-60397-02	31	34-60019-03	21
14-01092-06	5	22-60405-00	16	34-60019-04	32
14-60000-01	11, 15	22-60419-00	16	34-60019-05	32
14-60009-03	11	22-60520-01	1, 25	34-60044-00	3
14-60009-04	15	22-60536-00	25	34-60068-20	2, 5, 7, 11, 15, 19, 21
14-60018-03	1, 5	22-60537-00	27	34-60089-05	5, 21, 23, 27, 29
14-60039-03	11, 15	22-60537-02	1, 27	34-60089-06	19, 21
14-60055-00	1, 9, 15	22-60538-03	1, 27	34-60095-04	27, 29, 31
14-60062-00	5	22-60538-04	1, 29	34-60095-24	15
14-60062-10	5	22-60539-00	19, 21	34-60095-25	5, 9, 13
18-00086-01	1, 21	22-60540-00	27		
18-00086-03	1, 21				

# PART NUMBER INDEX

PART NO.	PAGE NO.	PART NO.	PAGE NO.	PART NO.	PAGE NO
34-60095-27	11, 13	42-00243-16	9	58-60475-00	3
34-60095-29	5	42-60042-01	13	58-60476-00	3
34-60141-00	9, 13	44-60041-14	11, 13	58-60485-00	13
38-00550-00	5	44-60041-24	9	58-60493-01	31
40-60007-02	5, 11, 13	44-60041-49	15	62-04069-00	3
40-60007-09	21	44-60044-12	9, 13, 15	62-04069-01	3
40-60007-15	21	44-60048-06	21	62-60063-00	5, 11, 15
40-60008-01	21	44-60061-00	31	62-60180-01	27, 29
40-60008-02	5	48-60188-30	21	62-60181-00	27, 29, 31
40-60009-01	21	48-60189-01	15	62-60390-02	9, 13
40-60009-02	5, 9	48-60237-00	5	62-60390-03	3
40-60010-05	9, 13	54-00554-00	9, 15	62-60408-08	31
40-60041-00	21	54-60006-10	5	62-60408-11	27
40-60044-00	5	54-60006-30SV	5	62-60774-00	9
40-60047-03	21	54-60006-31	5	62-60774-01	13
40-60048-01	32	56-61120-00	13	62-60820-03	29
40-60048-02	32	58-60115-02	32	62-60863-00	31
40-60048-03	21	58-60115-03	21	62-60870-00	27, 29
40-60048-04	32	58-60115-04	32	62-60871-00	19, 21
40-60048-05	32	58-60115-05	32	65-60056-00	5
40-60049-02	32	58-60158-00	19, 21	65-60057-00	7
40-60049-04	32	58-60282-00	25	67-60068-00	13
40-60058-05	32	58-60298-01	13, 31	67-60069-00	13
40-60059-04	32	58-60298-02	27, 29	67-60120-00	2
40-60060-06	32	58-60298-03	9, 13, 27, 29	68-60651-00	11, 13
40-60060-07	32	58-60298-04	9, 13	68-60672-00	11, 15
40-60061-06	32	58-60302-07	11, 15	68-60990-00	13
40-60061-07	32	58-60324-02	27, 29	68-61267-00	13
40-60155-00	21	58-60335-01	11, 13	68-61393-00	27
40-60159-00	7, 11, 15	58-60336-01	9, 13	68-61393-02	29
40-60165-00	9, 15	58-60399-00	9, 13	68-61394-00	27, 29
40-60169-02	15	58-60400-00	9, 13	68-61402-00	5
40-60169-05	11, 15	58-60401-00	9, 13	68-61408-00	23
40-60169-06	11, 15	58-60431-00	13	68-61433-00	19
40-60170-02	9, 15	58-60461-00	9	68-61466-00	29
42-00243-03	7, 9, 13, 21	58-60469-00	27	68-61480-00	31
42-00243-04	21	58-60469-01	29	68-61861-00	23
42-00243-09	5, 9, 13	58-60471-00	3	73-60039-00	9
42-00243-10	7, 21	58-60473-00	3	73-60049-00	5
42-00243-11	13	58-60474-00	3	76-61011-00	33
				76-61057-00	19, 21
				79-60412-00	13



# PART NUMBER INDEX

PART NO.	PAGE NO.	PART NO.	PAGE NO.	PART NO.	PAGE NO
79-60428-00	19, 21	81-60324-00	13	82-60053-00	5
79-60431-00	23	81-60379-00	11	86-60650-00	2
79-60434-00	11	81-60380-00	7	91-60178-20	21, 27
81-60119-01	9, 15	81-60384-00	11	91-60178-50	21
81-60120-00	9, 15	81-60386-00	9	91-60180-40	23
81-60300-00	15	81-60969-00	7	91-60190-03	21, 31
81-60301-00	15				