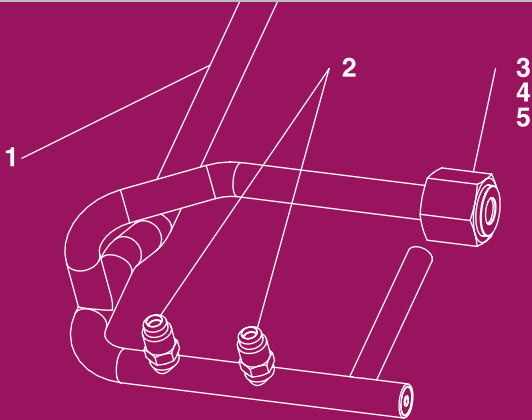




Truck Refrigeration



SERVICE PARTS LIST

for

35X

Truck Refrigeration Units



TRANSICOLD

SERVICE PARTS LIST

35X

TRUCK REFRIGERATION UNIT

TABLE OF CONTENTS

PARAGRAPH NUMBER	Page
INTRODUCTION	ii
ORDERING INSTRUCTIONS	iii
GENERAL NOTES	iii
1 QUICK LIST	1
1.1 QUICK LIST - FILTERS AND FUSES	1
1.2 QUICK LIST - COMPRESSOR, CLUTCH, STANDBY MOTOR	1
1.3 QUICK LIST - REFRIGERATION, TXV, SOLENOID VALVES, COILS, SIGHTGLASS	2
1.4 QUICK LIST - HARNESES AND CAB COMMAND	2
1.5 QUICK LIST - SENSORS AND SWITCHES	2
1.6 QUICK LIST - FIELD OPTION KITS	3
1.7 QUICK LIST - REFRIGERANT HOSES	3
1.8 O-RING FACE SEAL FITTINGS AND O-RINGS	3
2 SKINS/DECALS	4
3 CONDENSER	6
4 DISCHARGE ASSY - ROAD ONLY SHOWN	8
5 COMPRESSOR ASSEMBLY	10
6 EVAPORATOR	12
6.1 EVAPORATOR - SUB ASSEMBLY AND SKINS	12
6.2 EVAPORATOR - PIPING AND HARDWARE	14
7 QUENCH VALVE ASSEMBLY	16
8 ELECTRICAL	18
8.1 ELECTRICAL - ROAD ONLY	18
8.2 ELECTRICAL - STANDBY	20
8.3 ELECTRICAL - CONTROL BOX - 230/3/60	22
8.4 ELECTRICAL - CONTROL BOX - 230/1/60	24
8.5 ELECTRICAL - CONTROL BOX - 115/1/60	26
8.6 ELECTRICAL - HARNESS - UNIT, ROAD ONLY	28
8.6 ELECTRICAL - HARNESS - UNIT, ROAD ONLY	29
8.7 ELECTRICAL - HARNESS - UNIT, STANDBY UNITS	30
8.7 ELECTRICAL - HARNESS - UNIT, STANDBY UNITS	31
8.8 ELECTRICAL - HARNESS - CONTROL BOX	32
8.8 ELECTRICAL - HARNESS - CONTROL BOX	33
8.9 ELECTRICAL - CAB COMMAND AND STANDBY POWER CONNECTORS	34
8.9 ELECTRICAL - CAB COMMAND AND STANDBY POWER CONNECTORS	35
9 REFRIGERATION HOSES AND FITTINGS	36
10 SERVICE TOOLS	38
11 MOUNTING HARDWARE	40
PART NUMBER INDEX	Index-1

INTRODUCTION

This parts list identifies service replacement parts for the Carrier Transicold Integra 35X Refrigeration Units. 35X truck refrigeration units are designed for medium temperature cooling, heating and defrost for truck applications.

MODEL CHART		
These may be ordered using the model number as the part number. (All units are supplied with ThinLine Evaporator and Condenser Shut-off Valve)		
Description	Voltage	Model number
Road Only	12V, No Standby	TRC135R03D
Road and Standby	115/1/60	TRS135R53D
Road and Standby	230/1/60	TRS135R13D
Road and Standby	230/3/60	TRS135R23D

Table 1-1. Additional Support Manuals

Manual Number	Equipment Covered	Type of Manual
62-11050	35X	Operation And Service Manual
62-10892	Truck Units With Cab Command	Operator's Manual
62-10893	Truck Units With Cab Command	Easy To Run Manual
62-11045	Truck Units With Cab Command Two	Operator's Manual
62-11046	Truck Units With Cab Command Two	Easy To Run Manual

ORDERING INSTRUCTIONS

All orders and inquiries for parts must include:

- Unit Serial Number
- Part Number
- Description of Part
- Quantity Required

Address all correspondence for parts to the following address:

CARRIER TRANSICOLD DIVISION
Replacement Components Group
TR-20, P.O. Box 4805
Syracuse, New York 13221
or
Fax to: (315) 432-3778

GENERAL NOTES

To find replacement parts, consult Table of Contents, and turn to the appropriate page for the illustrated breakdown of replacement parts.

The following letter designations are used to classify parts throughout this list:

A/R *As Required.*

P-- *Suffix P--* added to the part number means the part is available in a packaged quantity only.
Example: P/N34-00373-01P10 is a package of 10 P/N34-00373-01.
Use the part number and the P-- suffix when ordering.

PL *Purchase locally.*

SST *Stainless Steel* - 300 Series unless otherwise specified.

SV *Suffix SV* - added to the part number designates service part replacement part.

1 QUICK LIST	
1.1 QUICK LIST - FILTERS AND FUSES	
PART NO.	DESCRIPTION
14-00326-04	FILTER DRIER, 3/8 ORS - INCLUDES:
42-00243-09	O-RING, 0.38 ID X 0.50 OD (QTY: 2)
22-02336-01	FUSE, 20A
22-02336-02	FUSE, 5A
22-60313-00	FUSE HOLDER (FOR ABOVE 5A FUSE)
22-60543-10	FUSE, 25A, 115/1/60 UNITS
22-60543-07	FUSE, 12A, 230/1/60 UNITS
22-60543-06	FUSE, 10A, 230/3/60 UNITS
22-60540-01	FUSE HOLDER, 2 POLES, 115/1/60 AND 230/1/60 UNITS
22-60540-00	FUSE HOLDER, 3 POLES, 230/3/60 UNITS
22-02336-14	FUSE, 30 AMP
22-02336-16	FUSE, 40 AMP
22-60102-17	FUSE, 5X20 3.15A, 230/3/60 UNITS
22-60102-18	FUSE, 5X20 4A, 230/1/60 UNITS
22-60102-07	FUSE, 5X20 6.3A, 115/1/60 UNITS
22-60102-08	FUSE, 5X20 4A, 230/3/60 UNITS
22-02336-10	FUSE, 1 AMP
22-02336-29	FUSE, 50 AMP
22-50078-61SV	FUSE HOLDER AND COVER ASSEMBLY, MAXI FUSE
12-00526-88	FUSE, 1AMP (FOR STANDBY LOGIC BOARD)
22-50098-49SK	FUSE HOLDER AND COVER, MAXI FUSE TYPE
1.2 QUICK LIST - COMPRESSOR, CLUTCH, STANDBY MOTOR	
PART NO.	DESCRIPTION
18-00083-02	COMPRESSOR, 12V, 2A GROOVE, 135MM, LEAF SPRING
18-00083-70	COMPRESSOR, 12V, 8 GROOVE POLY VEE
18-00083-80	COMPRESSOR, 12V, VARIABLE A/B GROOVE, 135MM, LEAF SPRING
50-60135-00	COMPRESSOR CLUTCH ASSY, 12V, 2A GROOVE, 135MM, LEAF SPRING
17-31252-00	COMPRESSOR CLUTCH ASSEMBLY, 12V, VARIABLE A/B GROOVE, 135MM, LEAF SPRING
AC501-291	COMPRESSOR CLUTCH ASSEMBLY, 12V, 8 GROOVE POLY VEE
17-31307-00	COIL, COMPRESSOR CLUTCH, 12V
40-60218-00	FLANGE, COMPRESSOR, W/ SERVICE PORTS
54-60028-13	MOTOR, STANDBY, 115V/1/60
54-60028-12	MOTOR, STANDBY, 230V/1/60
54-60028-10	MOTOR, STANDBY, 230V/3/60
50-60198-02	V-BELT, A SECTION, MOTOR / COMPRESSOR

1.3 QUICK LIST - REFRIGERATION, TXV, SOLENOID VALVES, COILS, SIGHTGLASS	
PART NO.	DESCRIPTION
14-00286-00	CHECK VALVE, EVAP H.G. INLET, 3/8 ORFS M/F
14-00286-02	CHECK VALVE, OIL SEP. OUTLET, 1/2"ORFS M/F, STANDBY UNITS ONLY
14-00286-04	CHECK VALVE, ROAD DISCH, 1/2"ORFS, STANDBY UNITS ONLY
14-00332-00	VALVE, SOLENOID, COND SHUT OFF, 1/2 ODF-1/2 ODM, W/O COIL
14-01092-06	SIGHT GLASS / MOISTURE INDICATOR, 3/8" ORS
14-60062-06	VALVE, SOLENOID, HOT GAS, W/O COIL, 3/8" ORFS
22-60268-00	COIL. COND SHUT-OFF VALVE, 12VDC
22-60590-00	COIL, HOT GAS VALVE, 12VDC (MATES W/ 22-01613-02 CONNECTOR)
14-60000-01	VALVE, COMP. PRESS. REGULATING, CPR
14-60039-03	VALVE, EXPANSION, TXV, 1/2"ODF X 3/8 FLARE
14-60009-03	ORIFICE, TXV, NO. 3, BRAZED-ON
22-60405-00	COIL, QUENCH VALVE, 12VDC
14-00329-01	VALVE, SOLENOID, QUENCH VALVE, W/O COIL 1/4 ODF-1/4 ODM
14-00269-10	REPAIR KIT, QUENCH VALVE
1.4 QUICK LIST - HARNESSES AND CAB COMMAND	
PART NO.	DESCRIPTION
22-60796-01	HARNESS, UNIT, ROAD ONLY
22-60604-00	HARNESS, UNIT, STANDBY UNITS
22-60606-03	HARNESS, CONTROL BOX, 115/1/60 UNITS
22-60606-02	HARNESS, CONTROL BOX, 230/1/60 UNITS
22-60606-00	HARNESS, CONTROL BOX, 230/3/60 UNITS
22-60571-10	HARNESS, EVAP EXTENSION, 3M (9.8 FT)
22-60571-11	HARNESS, EVAP EXTENSION, 6M (19.7 FT)
22-60419-00	HARNESS, QUENCH VALVE
79-60409-00	CAB COMMAND, ROAD ONLY - INCLUDES:
79-60428-00	CAB COMMAND, STANDBY UNITS ONLY - INCLUDES:
22-60166-00	BRACKET, CAB COMMAND
22-60168-05	CABLE ASSY, CAB COMMAND, ROAD ONLY, 10 METERS (32.8FT) LONG
22-60551-04	CABLE ASSY, CAB COMMAND, STANDBY UNITS ONLY, 10 M (32.8FT) LG
1.5 QUICK LIST - SENSORS AND SWITCHES	
PART NO.	DESCRIPTION
12-60032-02	SWITCH, PRESSURE, NC. - 465/360 PSIG - INCLUDES:
22-50078-02SV	CONNECTOR, 2-WIRE (MATES W/ 22-50078-01SV)
12-60032-03	SWITCH, PRESSURE, NO. 247/320 PSIG - INCLUDES:
22-50078-01SV	CONNECTOR, 2-WIRE (MATES W/ 22-50078-02SV)
12-60015-04	SWITCH, PRESSURE, NC. -3/14.5 PSIG - INCLUDES:
22-02392-00SV	CONNECTOR, 2-WIRE (MATES W/ 22-01585-00SV)
22-60810-00	THERMOSTAT ASSEMBLY, DEFROST KLIXON
12-00507-00	THERMOSTAT, QUENCH VALVE
22-60167-01	SENSOR ASSEMBLY, THERMISTOR - INCLUDES:
22-50078-02SV	CONNECTOR, 2-WIRE (MATES W/ 22-50078-01SV)
10-00437-01	SWITCH, SAFETY SKS
22-60668-00	CONNECTOR, 2-WIRE, SAFETY SWITCH, SKS

1.6 QUICK LIST - FIELD OPTION KITS

PART NO.	DESCRIPTION
76-61059-00	ROOFMOUNT KIT
76-61059-01	ROOFCUT KIT
76-61042-02	EXTENSION KIT, REMOTE EVAP, 3M (9.8 FT)
76-61042-03	EXTENSION KIT, REMOTE EVAP, 6M (19.7 FT)
76-60891-00	HEATER KIT, DEFROST DRAIN WATER
76-61076-00	STANDBY OIL RETURN KIT

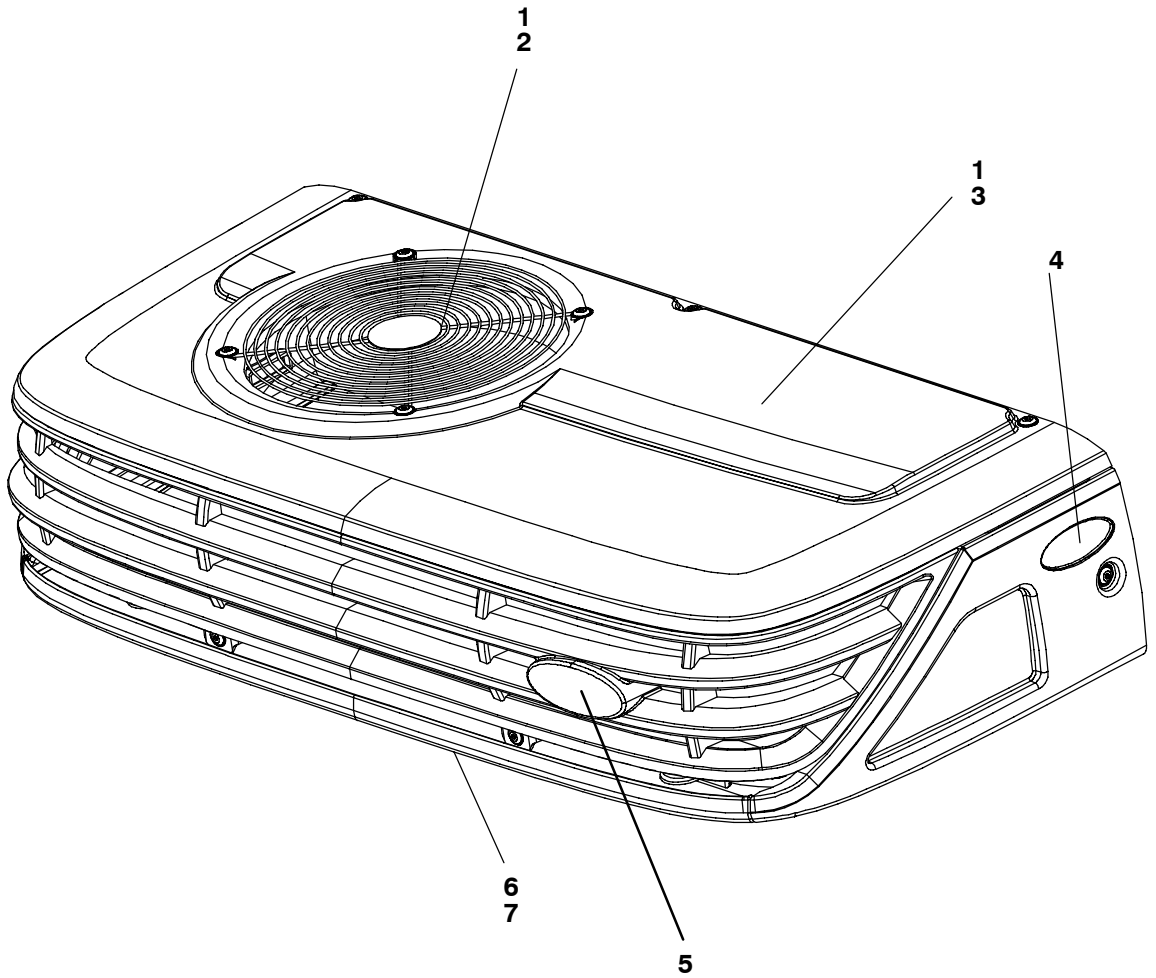
1.7 QUICK LIST - REFRIGERANT HOSES

PART NO.	DESCRIPTION (SOLD IN 50 FT. ROLLS)
58-60115-02F50	HOSE, REFRIGERANT, #6
58-60115-03F50	HOSE, REFRIGERANT, #8
58-60115-04F50	HOSE, REFRIGERANT, #10
58-60115-05F50	HOSE, REFRIGERANT, #12

1.8 O-RING FACE SEAL FITTINGS AND O-RINGS

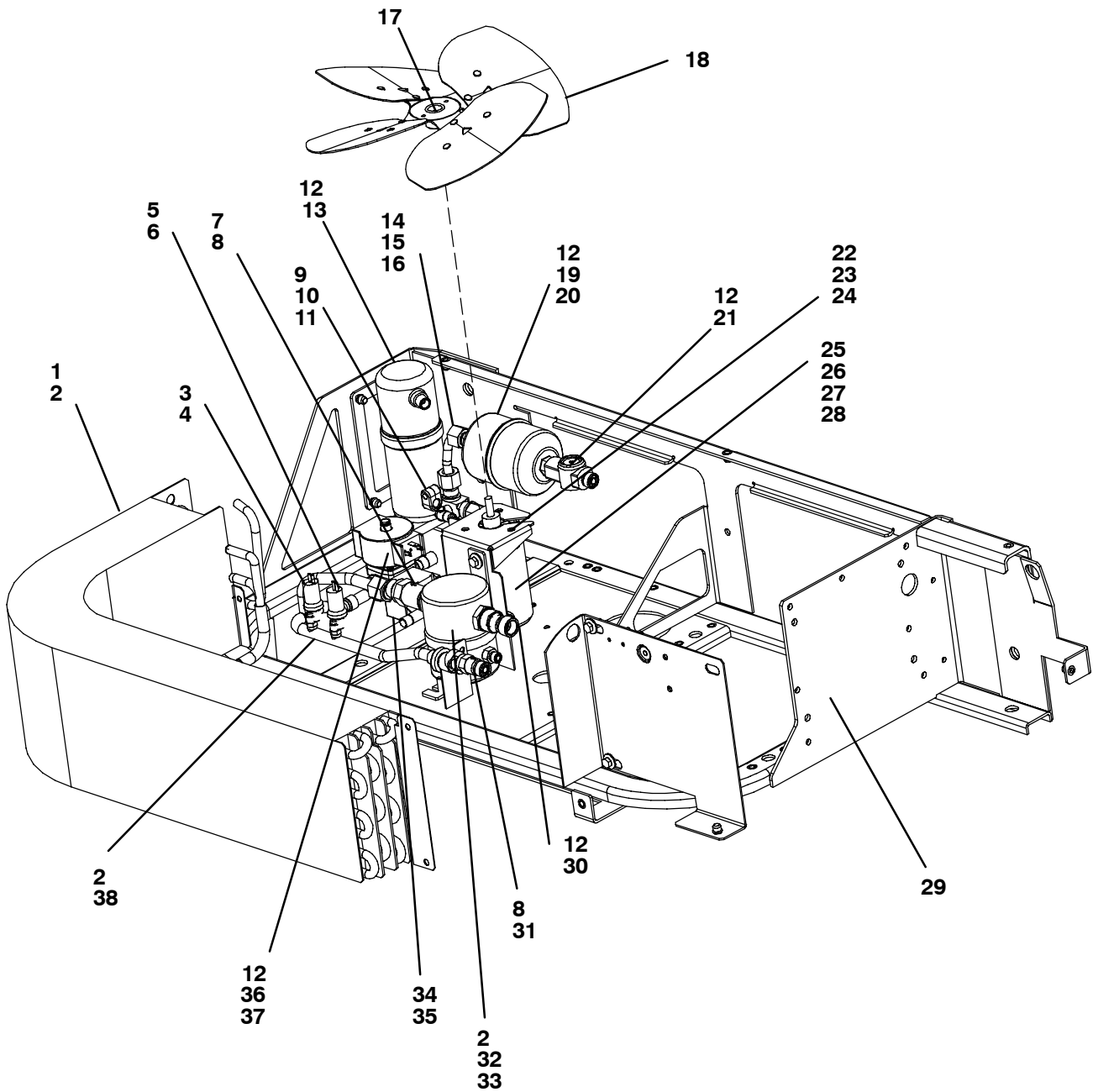
TUBE SIZE - OD	SLEEVE P/N	NUT P/N	O-RING P/N	MALE ORS FITTING
1/4"	40-60008-01	40-60009-01	42-00243-10	40-60007-01
3/8"	40-60008-02	40-60009-02	42-00243-09	40-60007-02
1/2"	40-60008-03	40-60009-03	42-00243-04	40-60007-03
5/8"	40-60008-04	40-60009-04	42-00243-03	40-60007-04
7/8"	40-60008-07	40-60009-06	42-00243-00	40-60007-11

2 SKINS/DECALS



2 SKINS/DECALS			
Item	Part Number	Description	Qty
1	34-60044-00	SCREW, TORX WSHR HEAD, M6 X 20	11
2	73-60041-00	GRILLE, CONDENSER FAN	1
3	58-60534-00	SKIN, TOP, 35X	1
4	62-04069-03	DECAL, 35X	2
5	62-60390-01	DECAL, CARRIER	1
6	34-60044-02	SCREW, TORX WSHR HEAD, M6X10	5
7	58-60535-00	SKIN, BOTTOM, 35X	1
8	34-60089-06	NUT, LOCK, M6	4

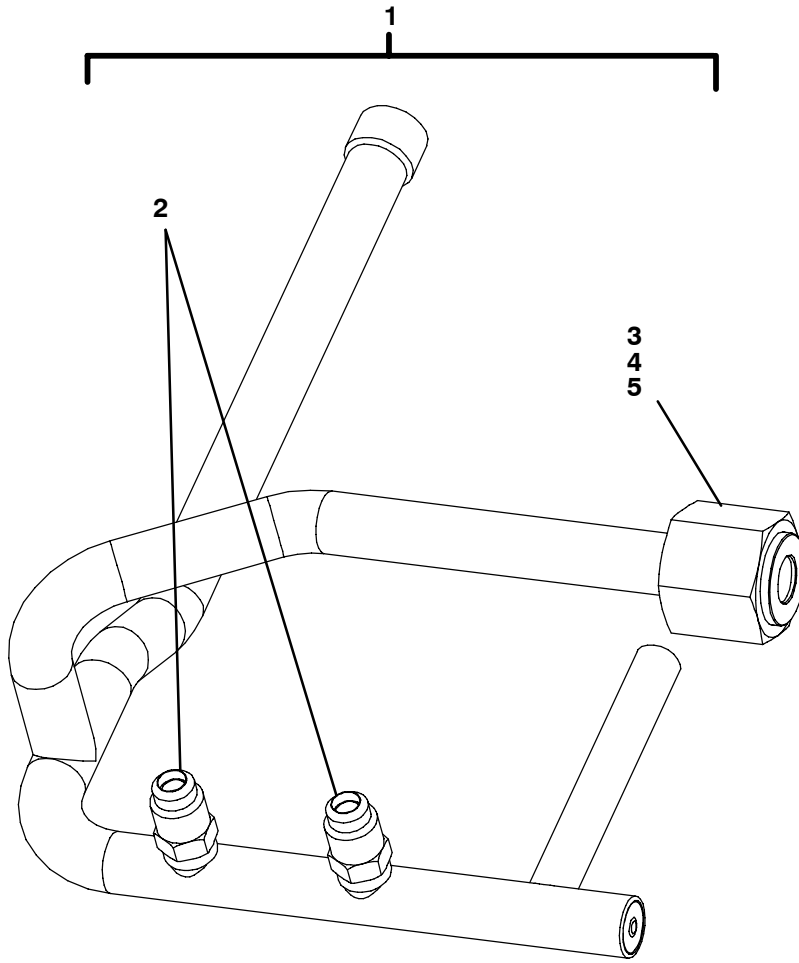
3 CONDENSER



77-60843

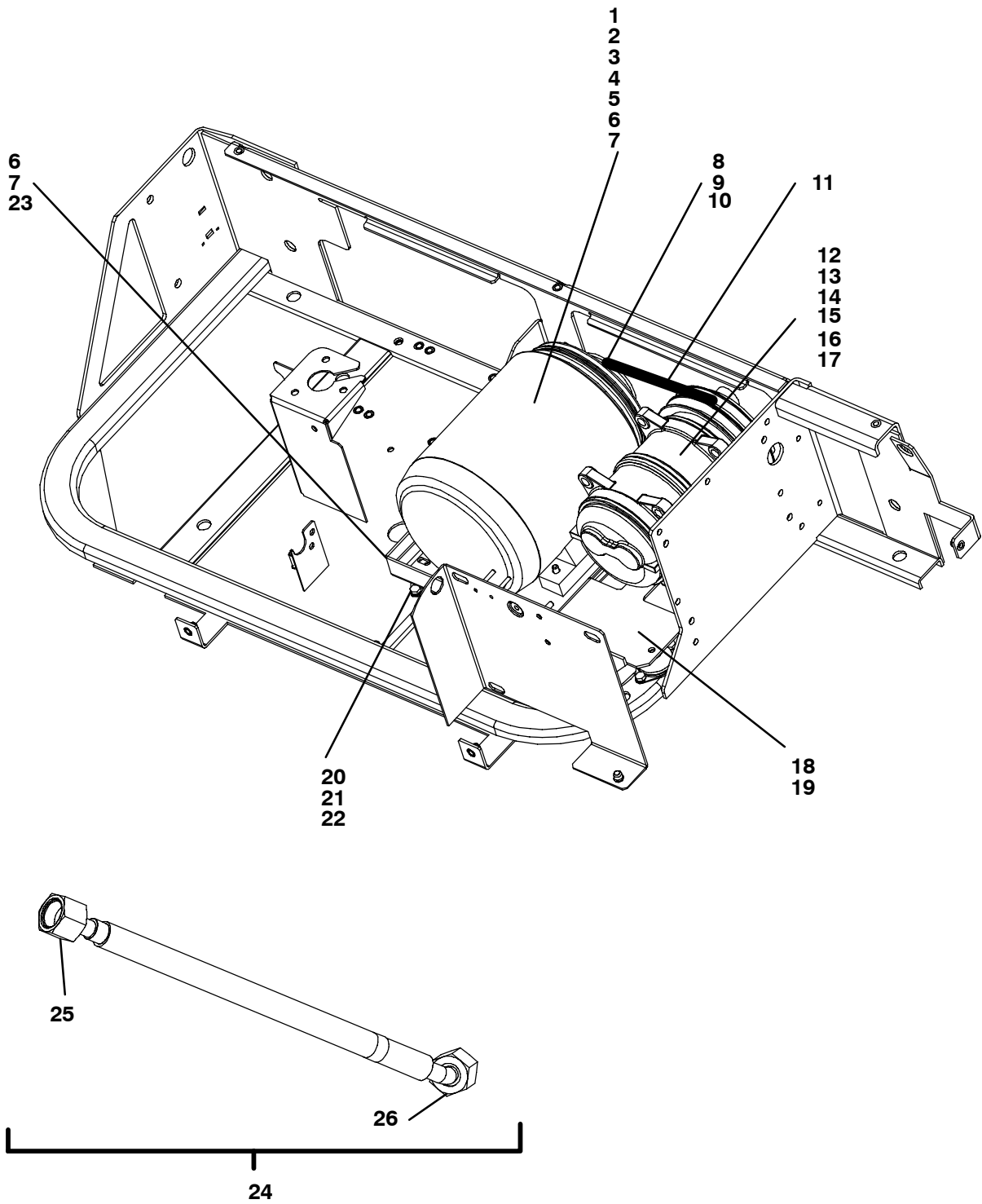
3 CONDENSER			
Item	Part Number	Description	Qty
1	08-60176-00	COIL, CONDENSER	1
2	34-60068-20	SCREW HXHD W/ CAPTIVE WSHR, M6 X 20MM LG.	6
3	12-60032-02	SWITCH, PRESSURE, NO. HP1 , 465/360 PSIG - INCLUDES:	1
4	22-50078-02SV	CONNECTOR, 2-WIRE (MATES W/ 22-50078-01SV)	1
5	12-60032-03	SWITCH, PRESSURE, NO. HP2 , 247/320 PSIG - INCLUDES:	1
6	22-50078-01SV	CONNECTOR, 2-WIRE (MATES W/ 22-50078-02SV)	1
7	14-00286-02	CHECK VALVE, OIL SEP. OUTLET, 1/2"ORFS M/F, STANDBY UNITS ONLY	1
8	42-00243-04	O-RING, 0.50 ID X 0.62 OD	1
9	34-01152-35	SCREW, CAP HXHD, M6 X 35MM (1.378)	1
10	34-60095-27	WASHER, LOCK, M6 X 14MM O.D.	1
11	44-60010-01	CLAMP, TUBE, 3/8" DIA	1
12	42-00243-09	O-RING, 0.38 ID X 0.50 OD	5/6
13	65-60060-00	RECEIVER TANK, 0.8L	1
14	82-60075-00	TUBE ASSEMBLY, RECEIVER OUTLET, DRIER INLET - INCLUDES:	1
15	40-60008-02	SLEEVE, ORS, 3/8" TUBE (USE 42-00243-09 O-RING)	2
16	40-60009-02	NUT, ORS	2
17	58-00836-14	SPACER, FANSHAFT, 20MM OD X 8.1MM ID X 12MM THK	1
18	38-60017-00	FAN BLADE ASSEMBLY, CONDENSER, 300 MM OD	1
19	14-00326-04	FILTER-DRIER, 3/8 ORS - INCLUDES:	1
12	42-00243-09	O-RING, 0.38 ID X 0.50 OD (QTY: 2)	2
20	44-60009-04	CLAMP, HOSE, 70-90 HOSE	1
21	14-01092-06	SIGHTGLASS / MOISTURE INDICATOR, 3/8"ORS	1
22	34-60001-20	SCREW, CAP HXHD, M7 X 20MM (.787)	3
23	34-60095-29	WASHER, LOCK, M7 X 18MM O.D.	3
24	48-60145-83	SPACER, FAN MOTOR, 20MM OD X 3MM THK	3
25	54-60006-17	MOTOR, COND FAN, 12VDC - INCLUDES:	1
26	22-50078-02SV	CONNECTOR, 2-WIRE (MATES W/ 22-50078-01SV)	1
27	54-60006-30	BRUSH, MOTOR	2
28	54-60006-31	BRUSH CAP, MOTOR	1
29	86-60775-00	FRAME ASSEMBLY, 35X	1
30	14-00286-00	CHECK VALVE, EVAP H.G. INLET, 3/8 ORFS M/F	1
31	14-00286-04	CHECK-VALVE, ROAD DISCH, 1/2"ORFS, STANDBY UNITS ONLY	1
32	34-60089-06	NUT, LOCK, M6	1
33	65-60059-01	OIL SEPARATOR	1
34	14-60062-06	VALVE, SOLENOID, HOT GAS, W/O COIL, 3/8" ORFS	1
35	22-60590-00	COIL, HOT GAS VALVE, 12VDC (MATES W/ 22-01613-02 CONNECTOR)	1
36	14-00332-00	VALVE, SOLENOID, COND SHUT OFF, 1/2 ODF-1/2 ODM, W/O COIL	1
37	22-60268-00	COIL. COND SHUT-OFF VALVE, 12VDC	1
38	81-60458-00	TUBE ASSEMBLY, DISCH., ROAD UNITS ONLY , SEE SECT. 4	1
	81-60422-00	TUBE ASSY, DISCH., STANDBY UNITS ONLY , SEE SECT. 4	1

4 DISCHARGE ASSY - ROAD ONLY SHOWN



4 DISCHARGE ASSEMBLY - ROAD ONLY SHOWN			
Item	Part Number	Description	Qty
1	81-60458-00	TUBE ASSEMBLY, DISCHARGE, ROAD UNIT ONLY - INCLUDES:	1
	81-60422-00	TUBE ASSEMBLY, DISCHARGE, STANDBY UNITS ONLY - INCLUDES:	1
2	40-60159-00	FITTING, 1/4" SCHRADER	2
3	40-60169-03	FITTING, ORS, W/ FLANGE, # 8 ORS X 1/2" ODS	1
4	40-60008-03	SLEEVE, ORS, 1/2" TUBE (USE 42-00243-04 O-RING)	1
5	40-60009-03	NUT, ORS	1

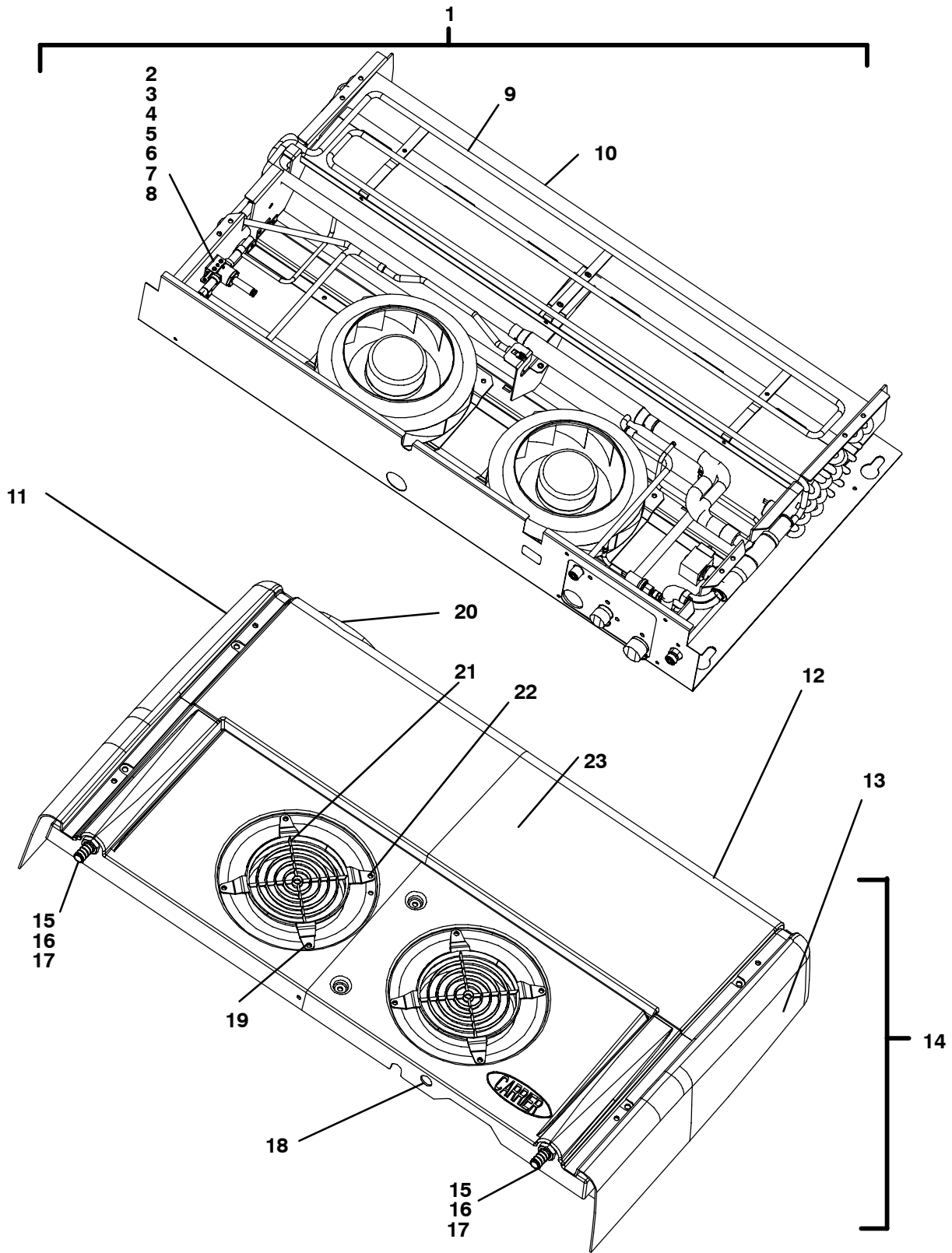
5 COMPRESSOR ASSEMBLY



5 COMPRESSOR ASSEMBLY			
Item	Part Number	Description	Qty
1	54-60028-13	MOTOR, STANDBY, 1-PHASE, 115V/1/60 - INCLUDES:	1
	54-60028-12	MOTOR, STANDBY, 1-PHASE, 230V/1/60 - INCLUDES:	
	54-60028-10	MOTOR, STANDBY, 3-PHASE, 230V/3/60 - INCLUDES:	
2	22-01613-23	CONNECTOR, 12-WIRE (MATES W/ 22-01613-25)	1
3	04-60008-27	BEARING, FRONT	1
4	04-60008-22	BEARING, REAR	1
5	34-60022-03	KEY, 8 X 7 X 12MM	1
6	34-60085-08	WASHER, 8MM	7
7	34-00946-58	NUT, HEX, M8	7
8	48-60145-54	SPACER, MOTOR PULLEY, 8.5MM ID X 30MM OD X 4MM L	1
9	50-60107-01	PULLEY, STANDBY MOTOR, STEEL	1
10	34-00876-25	SCREW, CAP HXHD, M8 X 25MM (0.98)	1
11	50-60198-02	V-BELT, A SECTION, MOTOR / COMPRESSOR	1
12	18-00083-02	COMPRESSOR, STANDBY OR ROAD - INCLUDES:	1
13	50-60135-00	CLUTCH ASSEMBLY, 12VDC, 2A GROOVE, 135MM DIA	1
14	40-60218-00	FLANGE, COMPRESSOR, W/ SERVICE PORTS	1
15	34-60080-130	SCREW, HXHD, M10 X 130 MM L	2
16	48-60142-00	SPACER, COMPRESSOR, 12MM ID X 20MM OD X 83.3MM L STEEL TUBE	2
17	34-00945-10	WASHER, LOCK, M10	2
18	86-61039-00	POWER TRAY	1
19	34-60068-20	SCREW HXHD W/ CAPTIVE WSHR, M6 X 20MM LG.	4
20	73-60022-01	SHOCKMOUNT, 60 SHORE	4
21	34-01152-16	SCREW, CAP HXHD, M6 X 16MM (.629)	8
22	34-60084-06	WASHER, LOCK, M6	8
23	86-60784-00	BRACKET ASSEMBLY, STANDBY MOTOR	1
24	58-60522-00	HOSE ASSEMBLY, # 8, STANDBY DISCHARGE - INCLUDES:	1
25	40-60047-03	FITTING, STRAIGHT, ORS, # 8 X 1/2"	1
26	40-60050-03	FITTING, 135°, ORS, # 8 X 1/2"	1

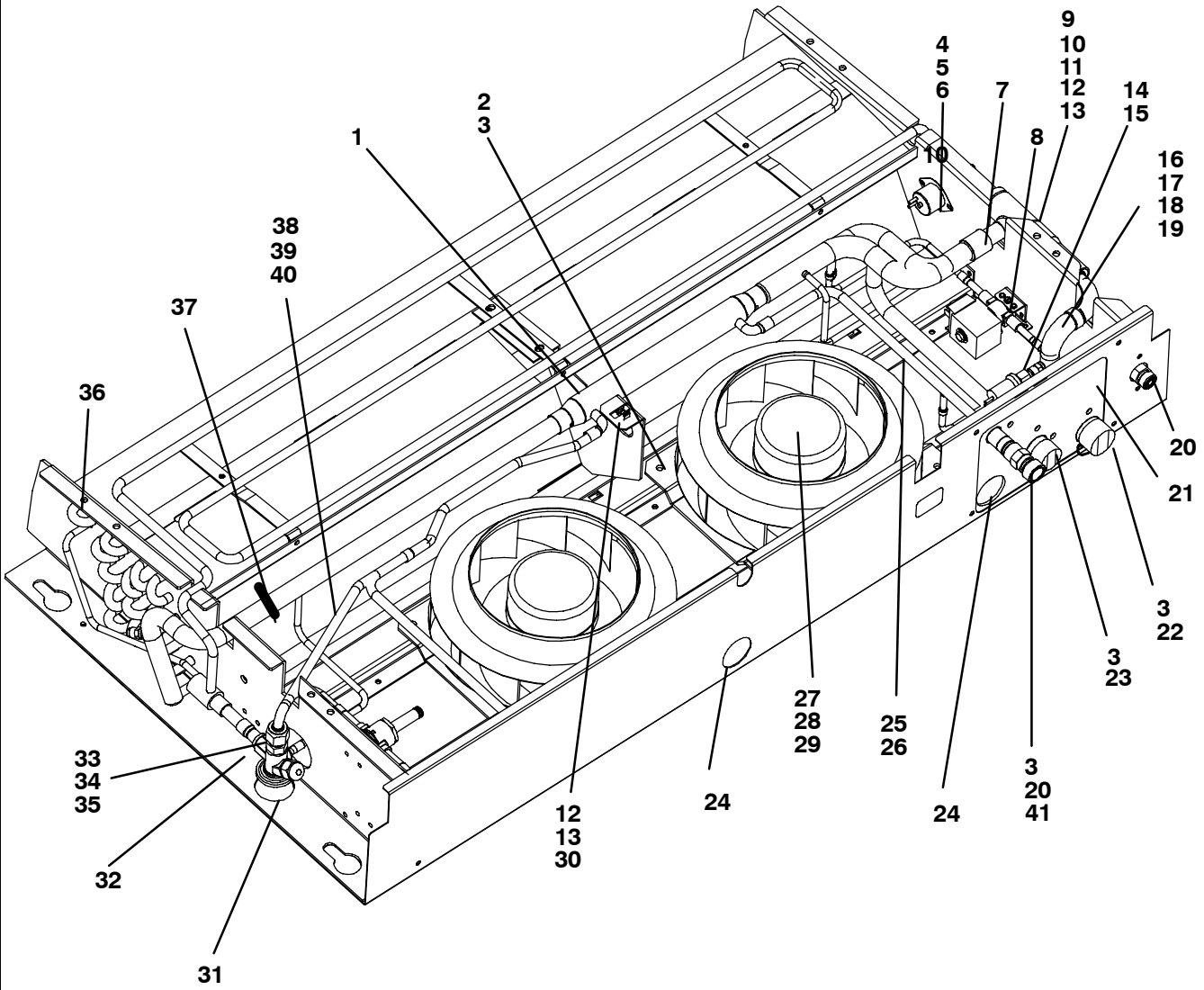
6 EVAPORATOR

6.1 EVAPORATOR - SUB ASSEMBLY AND SKINS



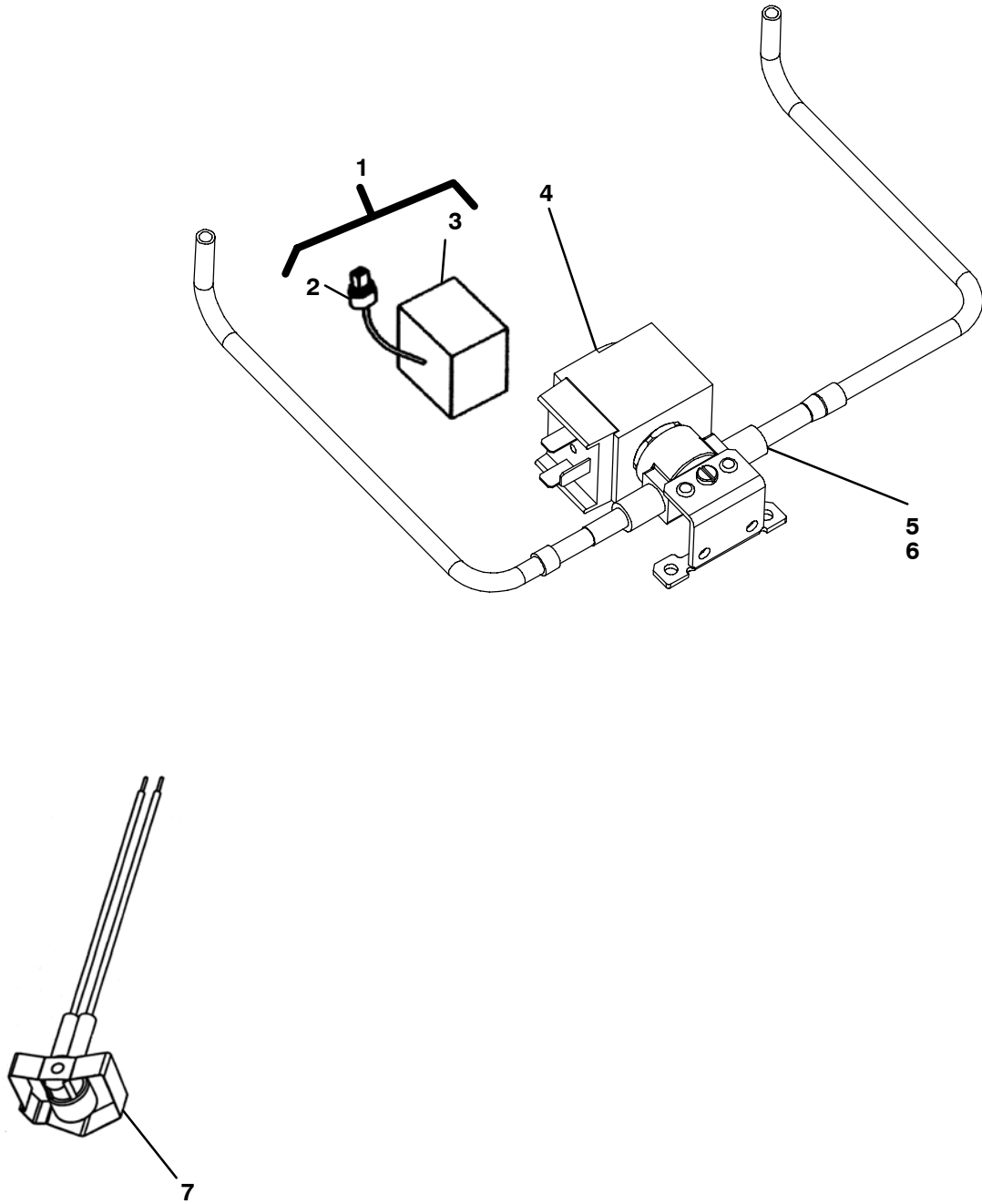
6.1 EVAPORATOR - SUB ASSEMBLY AND SKINS			
Item	Part Number	Description	Qty
1	79-60434-00	EVAPORATOR SUB-ASSEMBLY, 35X - INCLUDES:	1
2	68-60651-00	BRACKET, TXV	1
3	34-01184-05	NUT, LOCK, M5 NYLOCK	1
4	44-60041-14	CLAMP, 16 DIA	1
5	34-60000-16	SCREW, MACH HXHD, M5 X 16MM (.630)	1
6	34-60095-25	WASHER, LOCK, M5 X 12MM O.D.	1
7	34-60095-27	WASHER, LOCK, M6 X 14MM O.D.	1
8	34-01152-20	SCREW, CAP HXHD M6 X 20MM (.787)	1
9	81-60384-00	TUBE ASSEMBLY, DEFROST DRAIN PAN HEATER	1
10	08-60134-00	COIL ASSEMBLY, EVAP	1
11	58-60336-01	SKIN, EVAPORATOR RIGHT SIDE	1
12	62-61446-02	DECAL, MXS 1100	1
13	58-60335-01	SKIN, EVAPORATOR LEFT SIDE	1
14	79-60665-00	SKIN ASSEMBLY, BOTTOM - INCLUDES:	1
15	58-60399-00	FITTING, DEFROST DRAIN, 17 MM DIA. HOSE	2
16	58-60401-00	NUT, M20	2
17	42-60042-01	GASKET, DRAIN FITTING	2
18	58-60298-02	GROMMET, 26 MAX. DIA.	1
19	34-60198-16	SCREW, TORX WSHR HEAD, M5 X 16	8
20	62-60390-02	DECAL, CARRIER	1
21	58-60485-00	GRILLE, EVAP FAN	2
22	44-60044-01	CLAMP, 1/4" CUSHION	1
23	58-60461-00	SKIN, EVAP BOTTOM	1

6.2 EVAPORATOR - PIPING AND HARDWARE



6.2 EVAPORATOR - PIPING AND HARDWARE			
Item	Part Number	Description	Qty
1	08-60003-02	HEAT EXCHANGER LSHX, 3/4 ODF, 3/8"ODF	1
2	68-60672-00	BRACKET, FAN MOTOR MOUNTING	2
3	34-60068-20	SCREW HXHD W/ CAPTIVE WSHR, M6 X 20MM LG.	11
4	22-60810-00	THERMOSTAT ASSEMBLY, DEFROST KLIXON	1
5	22-50078-01SV	CONNECTOR, 2-WIRE (MATES W/ 22-50078-02SV)	1
6	34-60218-12	SCREW, TORX WASHR HEAD, M4 X 12MM(.47)LG	2
7	81-60386-00	TUBE, SUCTION, LSHX TO CPR	1
8	NSA	VALVE ASSEMBLY, QUENCH SEE SECTION 7	1
9	14-60000-01	VALVE, COMP. PRESS. REGULATING, CPR - INCLUDES:	1
10	40-60159-00	FITTING, 1/4" SCHRADER	1
11	44-60044-13	CLAMP, 1-1/4 CUSHION	1
12	34-60000-16	SCREW, MACH HXHD, M5 X 16MM (.630)	2
13	34-60095-25	WASHER, LOCK, M5	2
14	12-60015-04	SWITCH, PRESSURE, NC. -3/14.5 PSIG - INCLUDES:	1
15	22-02392-00SV	CONNECTOR, 2-WIRE (MATES W/ 22-01585-00SV)	1
16	81-60379-00	TUBE ASSEMBLY, SUCTION CONNECTIONS - INCLUDES:	1
17	40-60159-00	FITTING, 1/4" SCHRADER	1
18	40-60169-05	FITTING, ORS, W/ FLANGE, # 10 ORS X 5/8"ODS	1
19	40-60169-06	FITTING, ORS, W/ FLANGE, #012 ORS X 3/4"ODS	1
20	42-00243-09	O-RING, 0.38 ID X 0.50 OD	2
21	62-60774-00	DECAL, REFRIGERATION TUBE LEGEND	1
22	42-00243-11	O-RING, 0.75 ID X 0.88 OD	1
23	42-00243-03	O-RING, 0.62 ID X 0.75 OD	1
24	58-60298-04	GROMMET, TAP 20MM-26MM CABLE	2
25	81-60120-00	TUBE ASSEMBLY, 3/8"OD, EVAP LL INLET TO LSHX - INCLUDES:	1
26	40-60169-02	FITTING, ORS, W/ FLANGE, # 6 ORS X 3/8" ODS	1
27	54-00554-00	FAN & MOTOR ASSEMBLY, BRUSHLESS, 12DC - INCLUDES:	2
28	22-01613-08	CONNECTOR, 4-WIRE (MATES W/ 22-01613-10)	1
29	34-60213-08	SCREW, HX WASHHD, M4X8	8
30	44-60044-12	CLAMP, 1-1/8 CUSHION	1
31	58-60302-07	GROMMET, 36MM ID	1
32	62-60063-00	DECAL, R404A	1
33	14-60039-03	VALVE, EXPANSION, TXV, 1/2" ODF X 3/8 FLARE	1
34	14-60009-03	ORIFICE, TXV, NO. 3, BRAZED-ON	1
35	42-00032-00	INSULATION, PRESTITE (30 FT ROLL)	A/R
36	34-60198-16	SCREW, TORX WSHR HEAD, M5 X 16	9
37	44-00293-22	CLAMP, STEPLESS EAR, 1-5/16 DIA.	2
38	81-60119-01	TUBE ASSEMBLY, 3/8"OD, LL, LSHX TO TXV - INCLUDES:	1
39	40-60165-00	FITTING, TXV, PORT SIZE 5.0	1
40	40-60170-02	NUT, FLARE, 3/8" SAE	1
41	14-00286-00	VALVE, CHECK, LIQUID LINE, 3/8 ORS	1

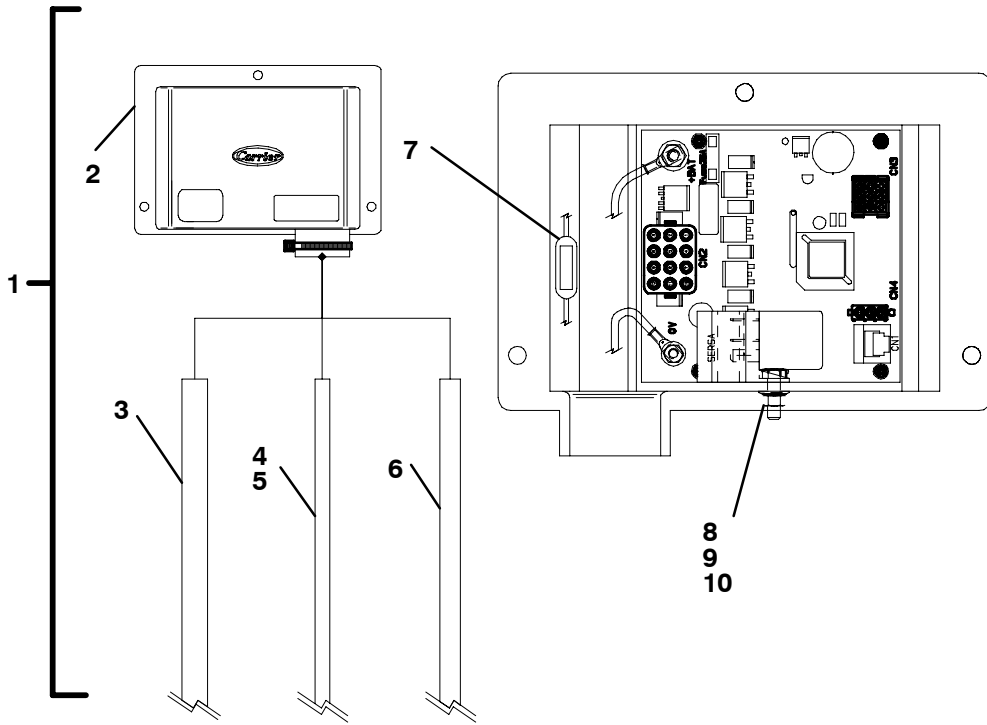
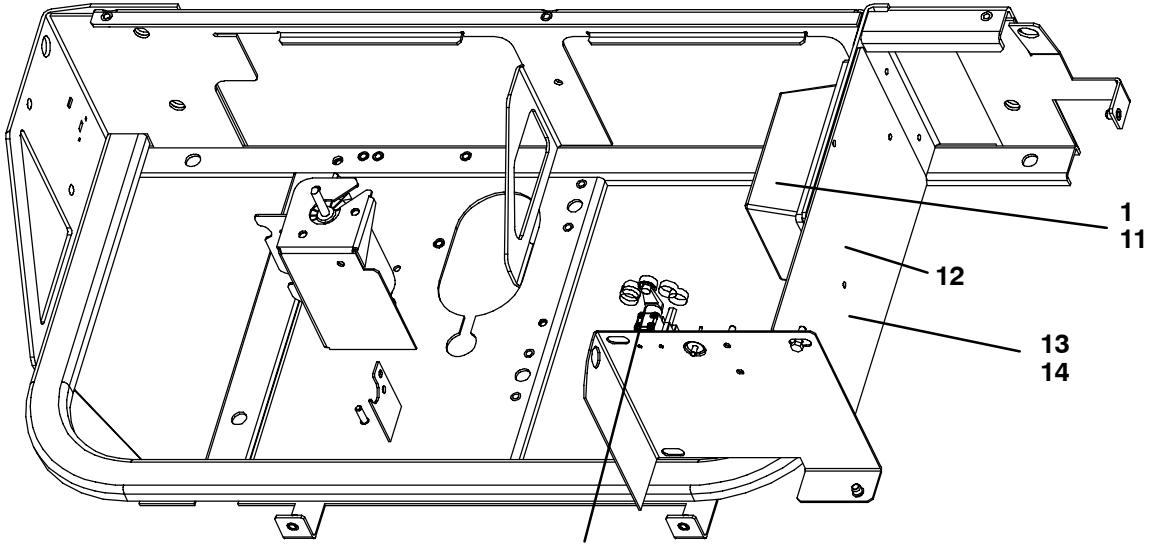
7 QUENCH VALVE ASSEMBLY



7 QUENCH VALVE ASSEMBLY			
Item	Part Number	Description	Qty
1	22-60419-00	HARNES, QUENCH VALVE - INCLUDES:	1
2	22-01585-00SV	CONNECTOR, 2-WIRE (MATES W/ 22-02392-00SV)	1
3	22-60068-00	CONNECTOR, SOLENOID VALVE COIL	1
4	22-60405-00	COIL, QUENCH VALVE, 12V DC	1
5	14-00329-01	VALVE, SOLENOID, QUENCH VALVE, W/O COIL 1/4 ODF-1/4 ODM	1
6	14-00269-10	REPAIR KIT, QUENCH VALVE	1
7	12-00507-00	THERMOSTAT, QUENCH VALVE	1

8 ELECTRICAL

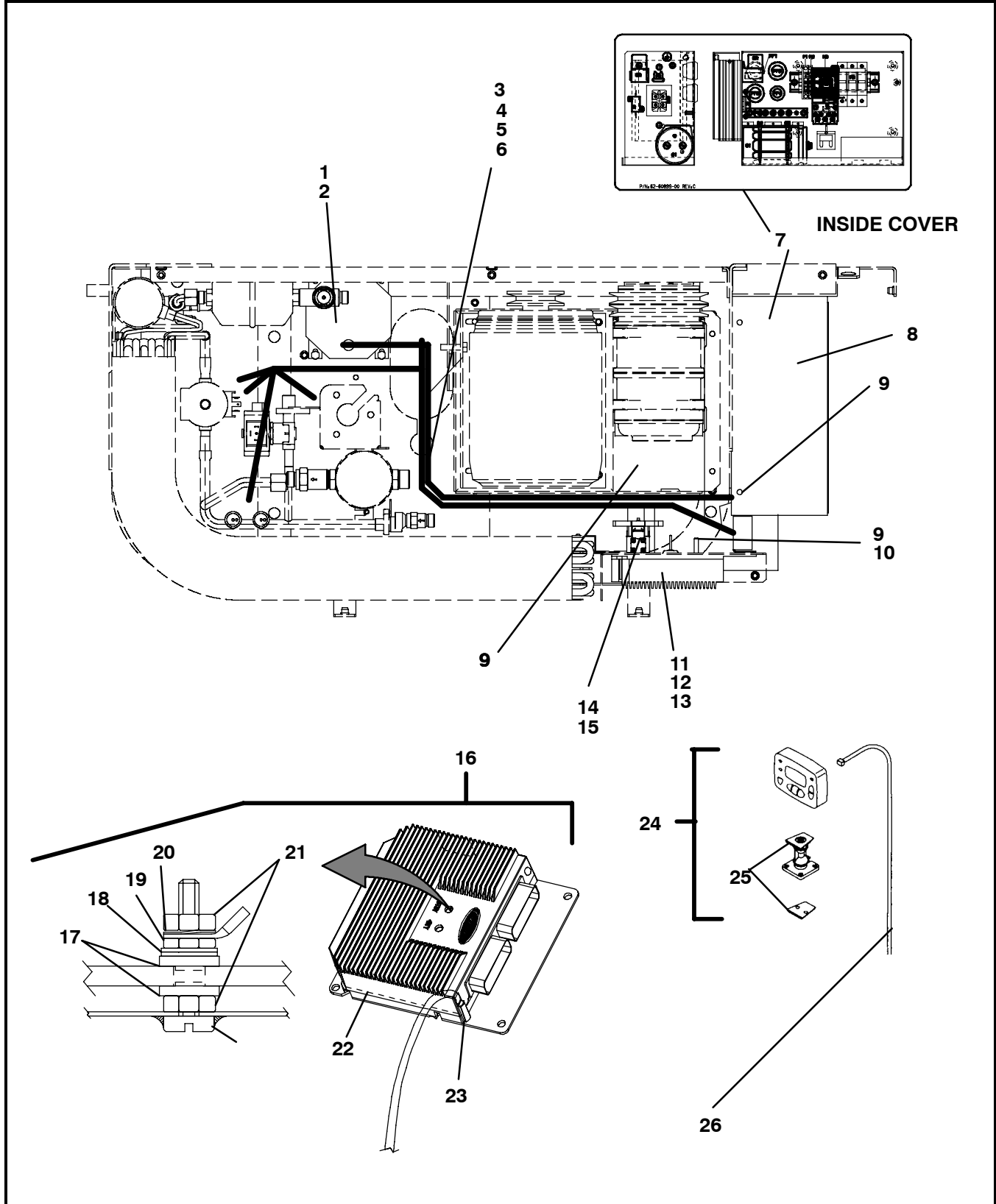
8.1 ELECTRICAL - ROAD ONLY



8.1 ELECTRICAL - ROAD ONLY

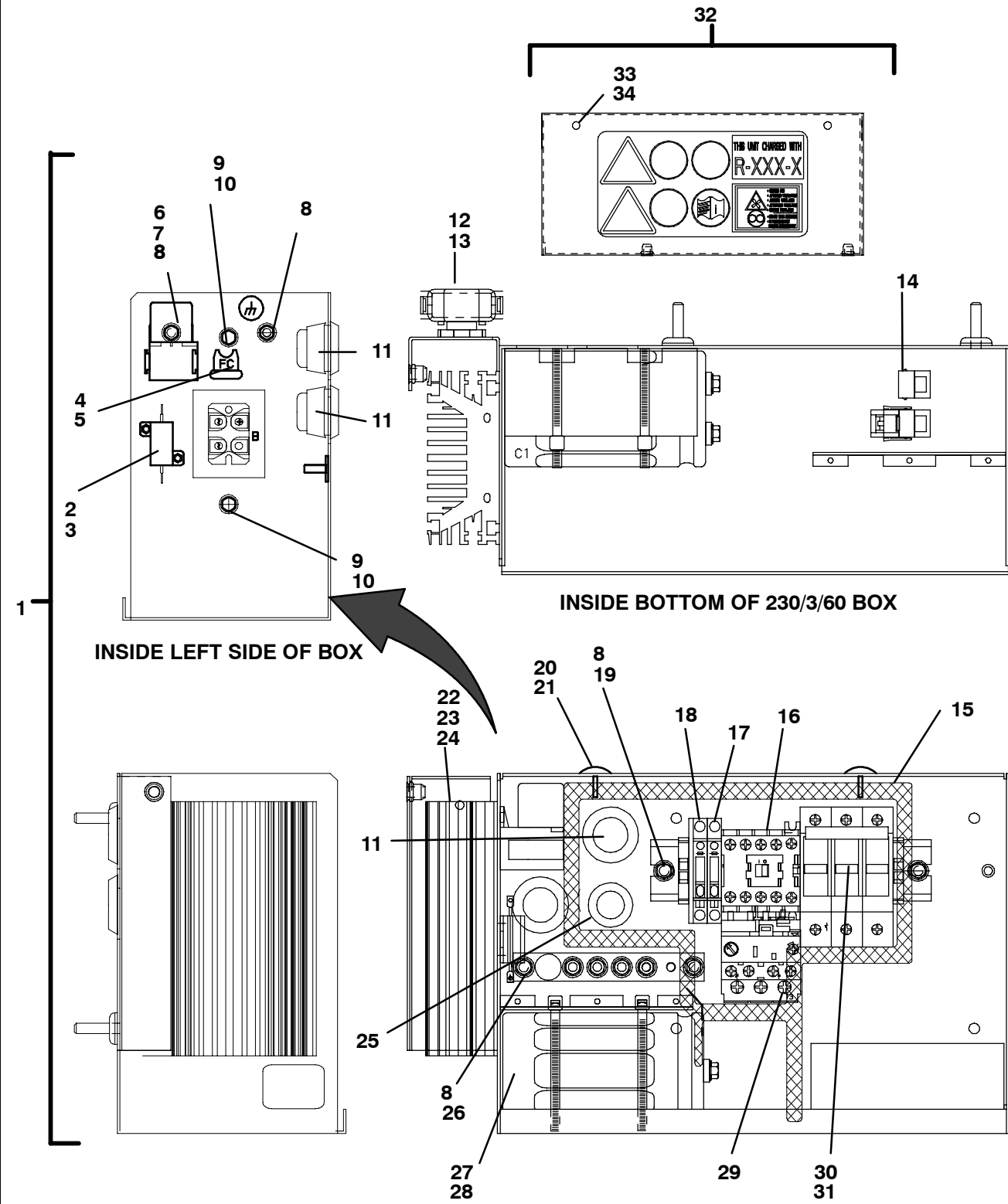
Item	Part Number	Description	Qty
1	91-60270-00	LOGIC BOARD ASSEMBLY, ROAD ONLY - INCLUDES:	1
2	12-00511-52	LOGIC BOARD, ROAD ONLY, ALL OPTIONS	1
3	22-60796-01	HARNESS, UNIT, ROAD ONLY, SEE SECTION 8.6	1
4	12-00512-21	SENSOR ASSEMBLY, THERMISTOR, RAS - INCLUDES:	1
5	22-60275-12	CONNECTOR, 3-WIRE (MATES W/ 22-60275-22)	1
6	22-60168-05	CABLE ASSEMBLY, CAB COMMAND, ROAD ONLY , 10 METERS (32.8FT) LONG	1
7	22-02336-01	FUSE, 20A	1
8	34-60000-16	SCREW, MACH HXHD, M5 X 16MM (.630)	1
9	34-60089-05	NUT, LOCK, M5	1
10	10-00385-03	RELAY, 12V DC	1
11	34-60089-06	NUT, LOCK, M6	3
12	62-61335-00	DECAL , SERVICE WARNINGS	1
13	34-60068-20	SCREW HXHD W/ CAPTIVE WSHR, M6 X 20MM LG.	1
14	67-60578-00	BRACKET, ROAD ONLY LOGIC BOARD	1
15	79-60409-00	CAB COMMAND, ROAD ONLY UNITS - INCLUDES:	1
16	22-60166-00	BRACKET, CAB COMMAND	1
17	34-60095-24	WASHER, LOCK, M4	2
18	48-60333-00	SPACER, SKS , M4 X 20	2
19	10-00437-01	SWITCH, SAFETY SKS	1
20	22-60668-00	CONNECTOR, 2 WIRE SKS	1

8.2 ELECTRICAL - STANDBY



8.2 ELECTRICAL - STANDBY			
Item	Part Number	Description	Qty
1	10-00383-20	TRANSFORMER, 115/1/60 UNITS ONLY	1
	10-00383-22	TRANSFORMER, 230/1/60 AND 230/3/60 UNITS	
2	34-01152-16	SCREW, CAP HXHD, M6 X 16MM (.629)	4
3	22-60167-01	SENSOR ASSEMBLY, THERMISTOR - INCLUDES:	1
4	22-50078-02SV	CONNECTOR, 2- WIRE (MATES W/ 22-50078-01SV)	1
5	22-60604-00	HARNESS, UNIT, STANDBY UNITS, SEE SECTION 8.7	1
6	22-60609-00	WIRE ASSEMBLY. + STANDBY FOR DD3	1
7	62-60899-03	DECAL, CONTROL BOX LEGEND, 115/1/60	1
	62-60899-02	DECAL, CONTROL BOX LEGEND, 230/1/60	
	62-60899-00	DECAL, CONTROL BOX LEGEND, 230/3/60	
8	91-60194-30	CONTROL BOX, 115/1/60 , SEE SECTION 8.5	1
	91-60194-20	CONTROL BOX, 230/1/60 , SEE SECTION 8.4	
	91-60194-00	CONTROL BOX, 230/3/60 , SEE SECTION 8.3	
9	34-60089-06	NUT, LOCK, M6	7
10	34-60096-06	WASHER, LOCK, M6 1 PHASE UNITS ONLY	2
	34-60095-25	WASHER, LOCK, M5, 3 PHASE UNITS ONLY	2
11	12-00526-19	LOGIC BOARD, STANDBY UNITS - INCLUDES:	1
12	12-00526-88	FUSE, 1A, TIME DELAY	1
13	34-60068-20	SCREW HXHD W/ CAPTIVE WSHR, M6 X 20MM LG.	1
14	34-60095-24	WASHER, LOCK, M4	2
15	48-60333-00	SPACER, HEX, M4 X 20MM L	2
16	76-61057-00	SERVICE KIT, MICROPROCESSOR - INCLUDES:	1
17	NSS	WASHER, INSULATED STEP	4
18	NSS	POLYAMID WASHER	4
19	NSS	NUT, JAM, BRASS, M6	2
20	NSS	ONDUFLEX WASHER	2
21	NSS	NUT, BRASS, M6	2
22	NSS	GASKET, MICRO COVER	1
23	NSS	SCREW	6
24	79-60428-00	CAB COMMAND, STANDBY UNITS ONLY - INCLUDES:	1
25	22-60166-00	BRACKET, CAB COMMAND	1
26	22-60551-04	CABLE ASSY, CAB COMMAND, STANDBY UNITS ONLY , 10M LONG	1

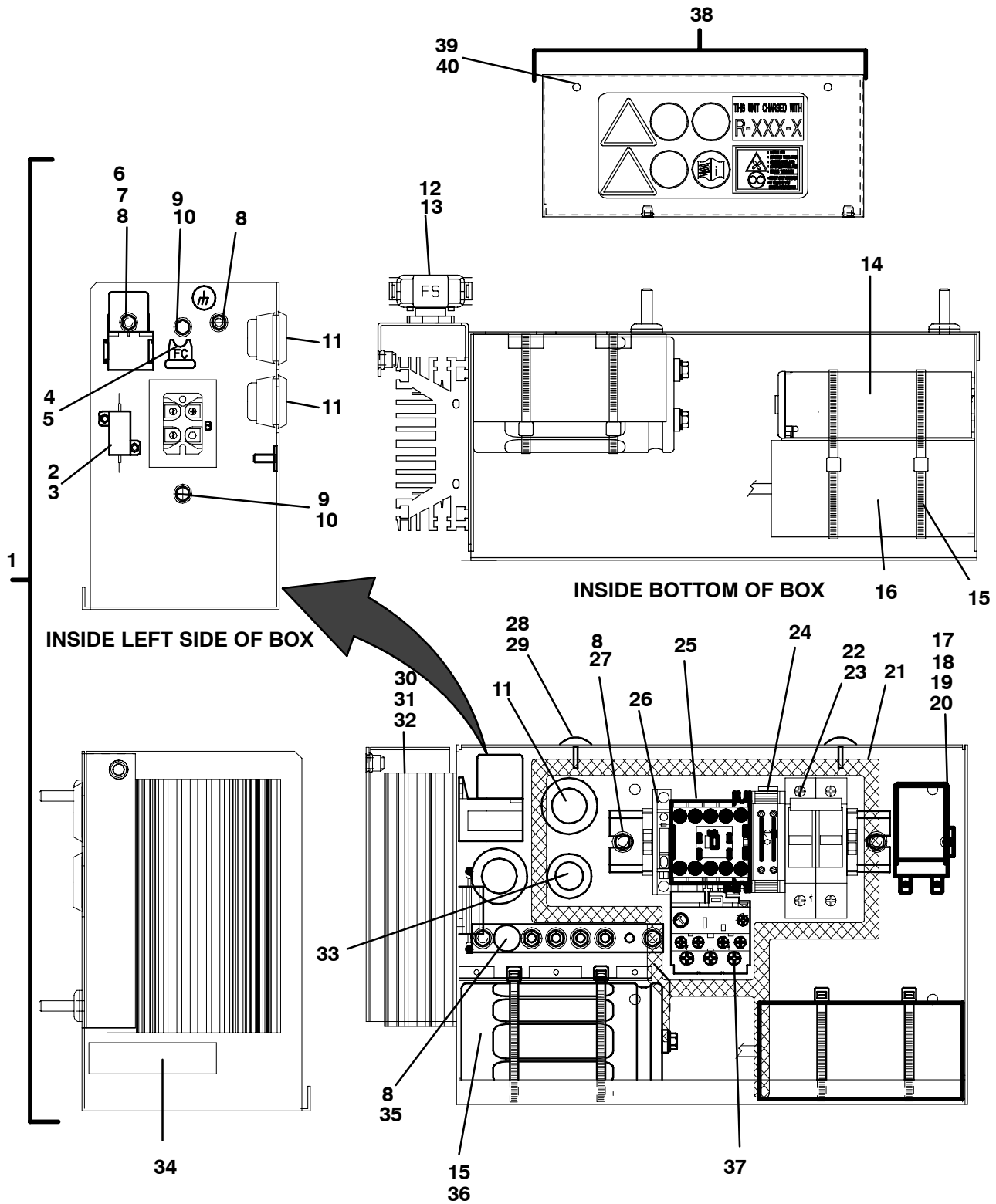
8.3 ELECTRICAL - CONTROL BOX - 230/3/60



8.3 ELECTRICAL - CONTROL BOX - 230/3/60

Item	Part Number	Description	Qty
1	91-60194-00	CONTROL BOX, 230/3/60 - INCLUDES:	1
2	22-60184-00	RESISTOR, 68 OHMS, 25 WATTS	1
3	34-01184-03	NUT, LOCK, M3 NYLOCK	2
4	22-60313-00	FUSE HOLDER, FC	1
5	22-02336-02	FUSE, 5A, FC	2
6	10-00302-00	RECEPTACLE, RELAY	1
7	10-00286-07	RELAY, 12V DC	1
8	34-60089-05	NUT, LOCK, M5	10
9	34-01152-10	SCREW, CAP HXHD, M6 X 10MM (.394)	2
10	34-60095-27	WASHER, LOCK, M6	2
11	58-60298-03	GROMMET, TAP, FOR 29MM HOLE	3
12	22-50098-49SK	FUSE HOLDER AND COVER, MAXI FUSE TYPE	1
13	22-02336-14	FUSE, 30 AMP	2
14	62-60302-00	DECAL,VOLTAGE, 230/3/60	1
15	22-60606-00	HARNESS, CONTROL BOX, 230/3/60 UNITS, SEE SECTION 8.8	1
16	12-60044-01	CONTACTOR	1
17	22-60102-17	FUSE, 5X20 3.15A	2
18	22-60102-08	FUSE, 5X20 4A	2
19	22-60605-00	JUNCTION BLOCK	1
20	79-60667-01	BOX ASSEMBLY, CONTROL (EMPTY) - INCLUDES:	1
21	44-01145-23	LATCH, DOOR	2
22	79-60453-00	RECTIFIER, ASSEMBLY - INCLUDES:	1
23	10-60045-02	DIODE BRIDGE	1
24	22-60548-01	HEAT SINK	1
25	58-60298-02	GROMMET, TAP, FOR 23MM HOLE	1
26	68-61394-00	STRAP, GROUND	1
27	10-60040-05	CAPACITOR, 47000MF	1
28	44-60024-25	TYWRAP, 15.35"L	4/2
29	10-60044-12	RELAY, OVERLOAD	1
30	22-60540-00	FUSE HOLDER, 3 POLES	1
31	22-60543-06	FUSE, 10 AMP	3
32	79-60515-02	COVER ASSEMBLY, CONTROL BOX - INCLUDES:	1
33	44-01145-03	SCREW, 1/4 TURN, DOOR LATCH	2
34	44-01145-13	WASHER, INT. TOOTH, DOOR LATCH	2

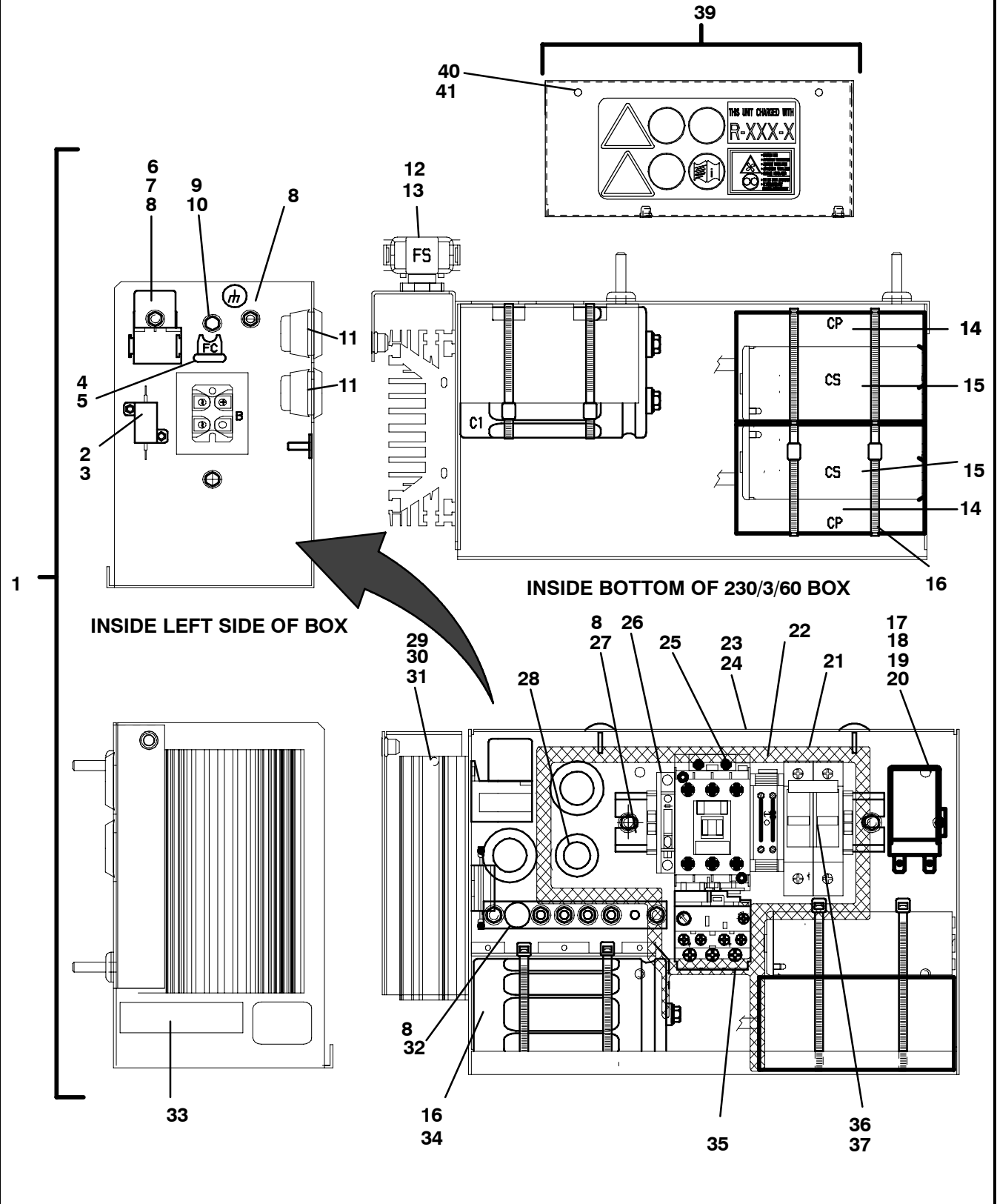
8.4 ELECTRICAL - CONTROL BOX - 230/1/60



8.4 ELECTRICAL - CONTROL BOX - 230/1/60

Item	Part Number	Description	Qty
1	91-60194-20	CONTROL BOX, 230/1/60 - INCLUDES:	1
2	22-60184-00	RESISTOR, 68 OHMS, 25 WATTS	1
3	34-01184-03	NUT, LOCK, M3 NYLOCK	2
4	22-60313-00	FUSE HOLDER, FC	1
5	22-02336-02	FUSE, 5 AMP, FC	2
6	10-00302-00	RECEPTACLE, RELAY	1
7	10-00286-07	RELAY, 12V DC	1
8	34-60089-05	NUT, LOCK, M5	10
9	34-01152-10	SCREW, CAP HXHD, M6 X 10MM (.394)	2
10	34-60095-27	WASHER, LOCK, M6	2
11	58-60298-03	GROMMET, TAP, FOR 29MM HOLE	3
12	22-50098-49SK	FUSE HOLDER AND COVER, MAXI FUSE TYPE	1
13	22-02336-14	FUSE, 30 AMP	2
14	10-60048-03	CAPACITOR, 150 MFD	1
15	44-60024-25	TYWRAP, 15.35"L	4/2
16	10-60047-01	CAPACITOR, 30 MFD	1
17	10-60012-00	RELAY, STARTING	1
18	34-60000-10	SCREW, MACH HXHD, M5 X 10MM (.394)	1
19	34-60095-25	WASHER, LOCK, M5	1
20	34-01151-05	WASHER, FLAT, M5	1
21	22-60606-02	HARNESS, CONTROL BOX, 230/1/60 UNITS , SEE SECTION 8.8	1
22	22-60540-01	FUSE HOLDER, 2 POLES	1
23	22-60543-07	FUSE, 12 AMP	2
24	10-00384-01	TIMER, 15S	1
25	12-60044-01	CONTACTOR	1
26	22-60102-18	FUSE, 5X20 4 AMP	2
27	22-60605-01	JUNCTION BLOCK	1
28	79-60667-01	BOX ASSEMBLY, CONTROL (EMPTY) - INCLUDES:	1
29	44-01145-23	LATCH, DOOR	2
30	79-60453-00	RECTIFIER ASSEMBLY - INCLUDES:	1
31	10-60045-02	DIODE BRIDGE	1
32	22-60548-01	HEAT SINK	1
33	58-60298-02	GROMMET, TAP, FOR 23MM HOLE	1
34	62-60408-13	DECAL, VOLTAGE, 230/1/60	1
35	68-61394-00	STRAP, GROUND	1
36	10-60040-05	CAPACITOR, 47000 MF	1
37	10-60044-31	RELAY, OVERLOAD	1
38	79-60515-02	COVER ASSEMBLY, CONTROL BOX - INCLUDES:	1
39	44-01145-03	SCREW, 1/4 TURN, DOOR LATCH	2
40	44-01145-13	WASHER, INT. TOOTH, DOOR LATCH	2

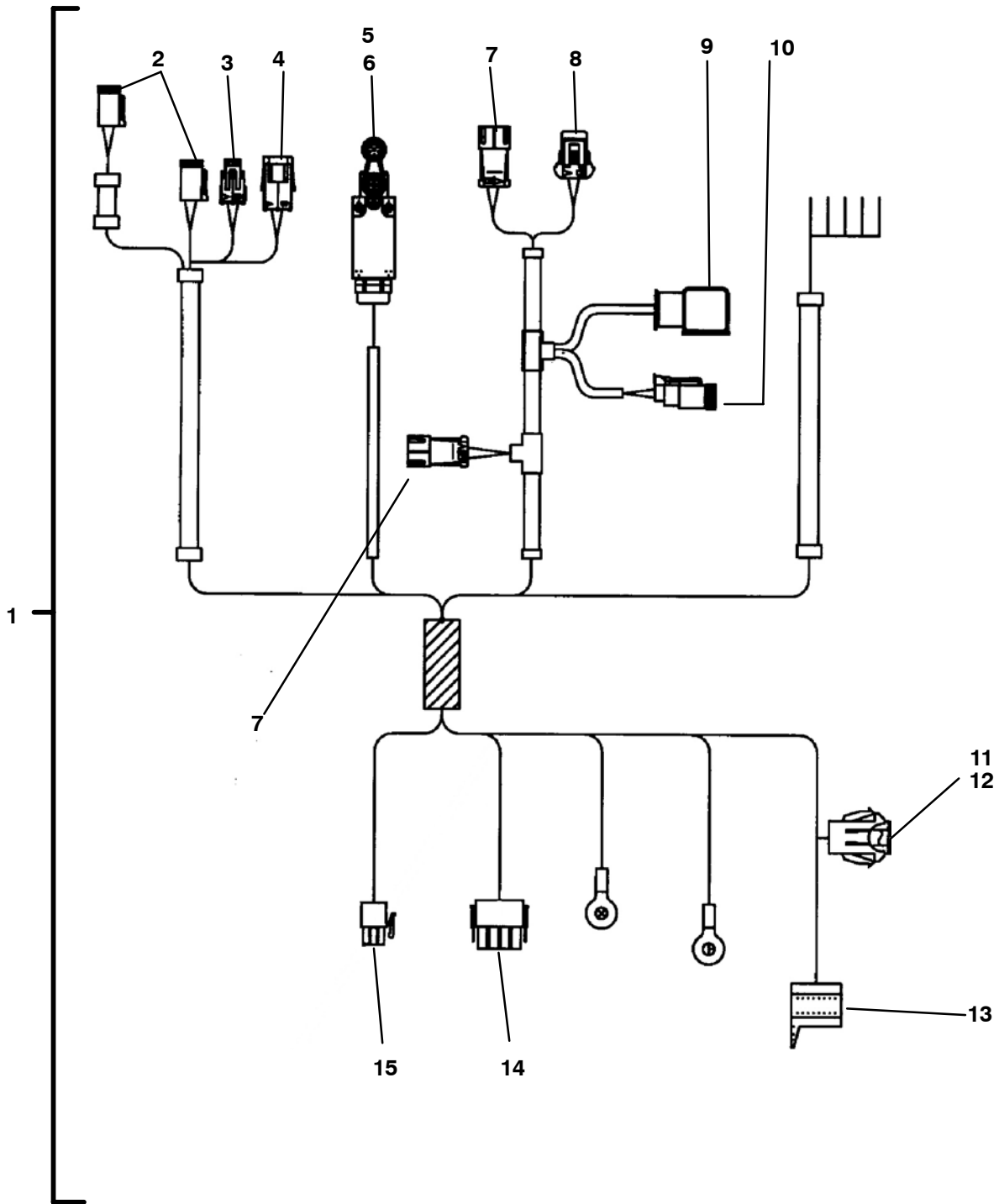
8.5 ELECTRICAL - CONTROL BOX - 115/1/60



8.5 ELECTRICAL - CONTROL BOX - 115/1/60

Item	Part Number	Description	Qty
1	91-60194-30	CONTROL BOX, 115/1/60 - INCLUDES:	1
2	22-60184-00	RESISTOR, 68 OHMS, 25 WATTS	1
3	34-01184-03	NUT, LOCK, M3 NYLOCK	2
4	22-60313-00	FUSE HOLDER, FC	1
5	22-02336-02	FUSE, 5 AMP, FC	2
6	10-00302-00	RECEPTACLE, RELAY	1
7	10-00286-07	RELAY, 12VDC	1
8	34-60089-05	NUT, LOCK, M5	10
9	34-01152-10	SCREW, CAP HXHD, M6 X 10MM (.394)	2
10	34-60095-27	WASHER, LOCK, M6	2
11	58-60298-03	GROMMET, TAP, FOR 29MM HOLE	3
12	22-50098-49SK	FUSE HOLDER AND COVER, MAXI FUSE TYPE	1
13	22-02336-14	FUSE, 30 AMP	2
14	10-60047-05	CAPACITOR, 60 MFD	2
15	10-60048-06	CAPACITOR, 350 MFD	2
16	44-60024-25	TYWRAP, 15.35"L	4/2
17	10-60012-01	RELAY, STARTING	1
18	34-60000-10	SCREW, MACH HXHD, M5 X 10MM (.394)	1
19	34-60095-25	WASHER, LOCK, M5	1
20	34-01151-05	WASHER, FLAT, M5	1
21	22-60606-03	HARNESS, CONTROL BOX, 115/1/60 UNITS, SEE SECTION 8.8	1
22	10-00384-01	TIMER, 15S	1
23	79-60667-01	BOX ASSEMBLY, CONTROL (EMPTY) - INCLUDES:	1
24	44-01145-23	LATCH, DOOR	2
25	10-00391-20	CONTACTOR	1
26	22-60102-07	FUSE, 5X20, 6.3 AMP	2
27	22-60605-01	JUNCTION BLOCK	1
28	58-60298-02	GROMMET, TAP, FOR 23MM HOLE	1
29	79-60453-00	RECTIFIER ASSEMBLY - INCLUDES:	1
30	10-60045-02	DIODE BRIDGE	1
31	22-60548-01	HEAT SINK	1
32	68-61394-00	STRAP, GROUND	1
33	62-60408-01	DECAL, VOLTAGE, 115/1/60	1
34	10-60040-05	CAPACITOR, 47000 MF	1
35	10-60044-32	RELAY, OVERLOAD	1
36	22-60540-01	FUSE HOLDER, 2 POLES	1
37	22-60543-10	FUSE, 25 AMP	2
38	22-02336-16	FUSE, 40 AMP	1
39	79-60515-02	COVER ASSEMBLY, CONTROL BOX - INCLUDES:	1
40	44-01145-03	SCREW, 1/4 TURN, DOOR LATCH	2
41	44-01145-13	WASHER, INT. TOOTH, DOOR LATCH	2

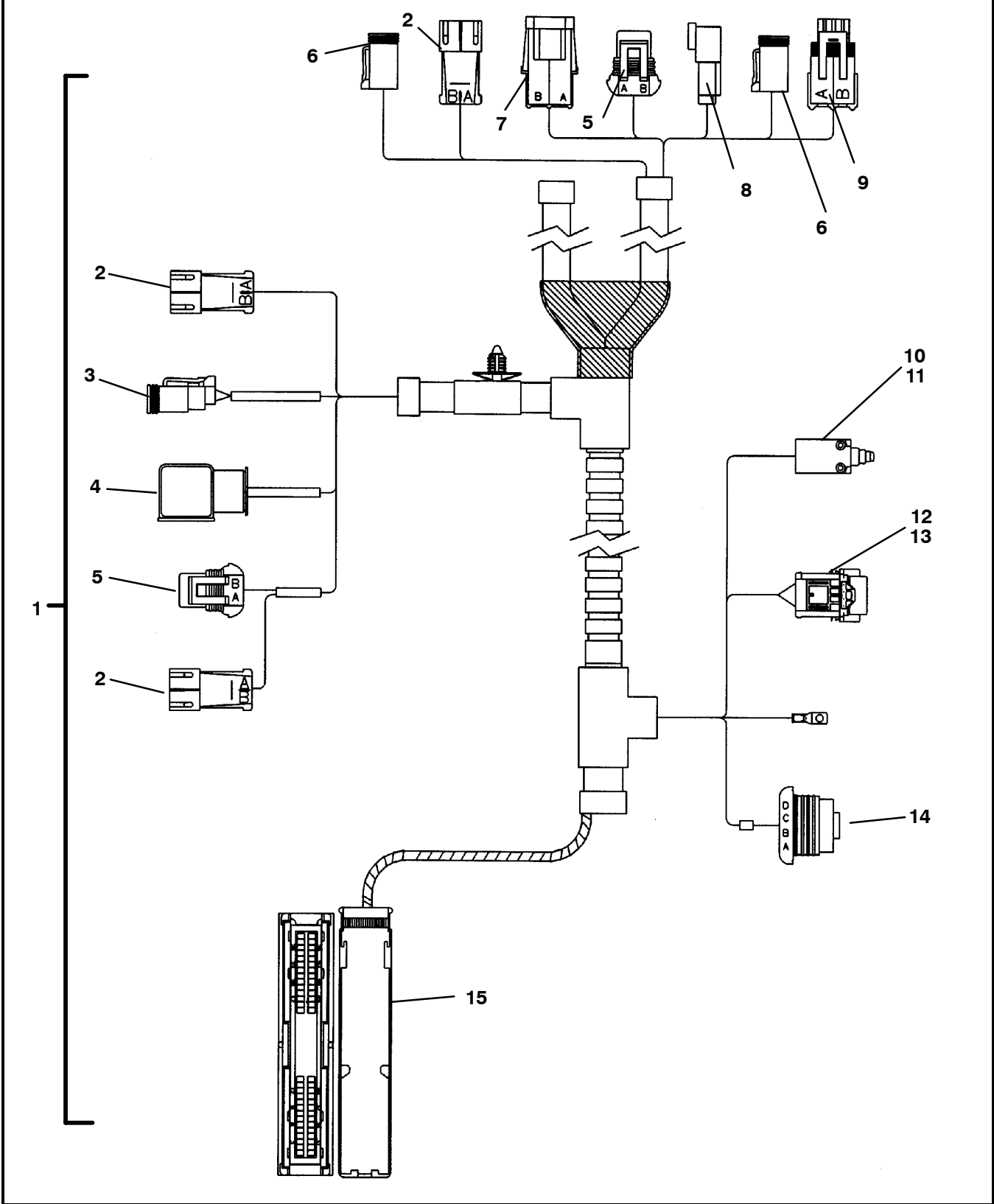
8.6 ELECTRICAL - HARNESS - UNIT, ROAD ONLY



8.6 ELECTRICAL - HARNESS - UNIT, ROAD ONLY

Item	Part Number	Description	Qty
1	22-60796-01	HARNESS, UNIT, ROAD ONLY - INCLUDES:	
2	22-01613-10	CONNECTOR, 4-WIRE (MATES W/ 22-01613-08) EFM1, EFM2	2
3	22-01585-00SV	CONNECTOR, 2-WIRE (MATES W/ 22-02392-00SV) LP	1
4	22-02392-00SV	CONNECTOR, 2-WIRE (MATES W/ 22-01585-00SV) INV	1
5	22-60668-00	CONNECTOR, 2-WIRE, SKS	1
6	10-00437-01	SWITCH, SAFETY SKS	1
7	22-50078-01SV	CONNECTOR, 2-WIRE (MATES W/ 22-50078-02SV) HP2, CFM	2
8	22-50078-02SV	CONNECTOR, 2-WIRE (MATES W/ 22-50078-01SV) HP1	1
9	22-60068-00	CONNECTOR, SOLENOID VALVE COIL MHV	1
10	22-01613-02	CONNECTOR, 2 WIRE (MATES W/ 22-01613-00) HGV1	1
11	22-60195-00	FUSE HOLDER FEFM	1
12	22-60196-00	TERMINALS FOR ABOVE FUSE HOLDER FEFM	2
13	22-50098-01	CONNECTOR, RELAY EFMR	1
14	22-60300-10	CONNECTOR, 12-WIRE (MATES W/ 22-60300-11) CN2	1
15	22-60275-15	CONNECTOR, 9-WIRE (MATES W/ 22-60275-25) CN3	1

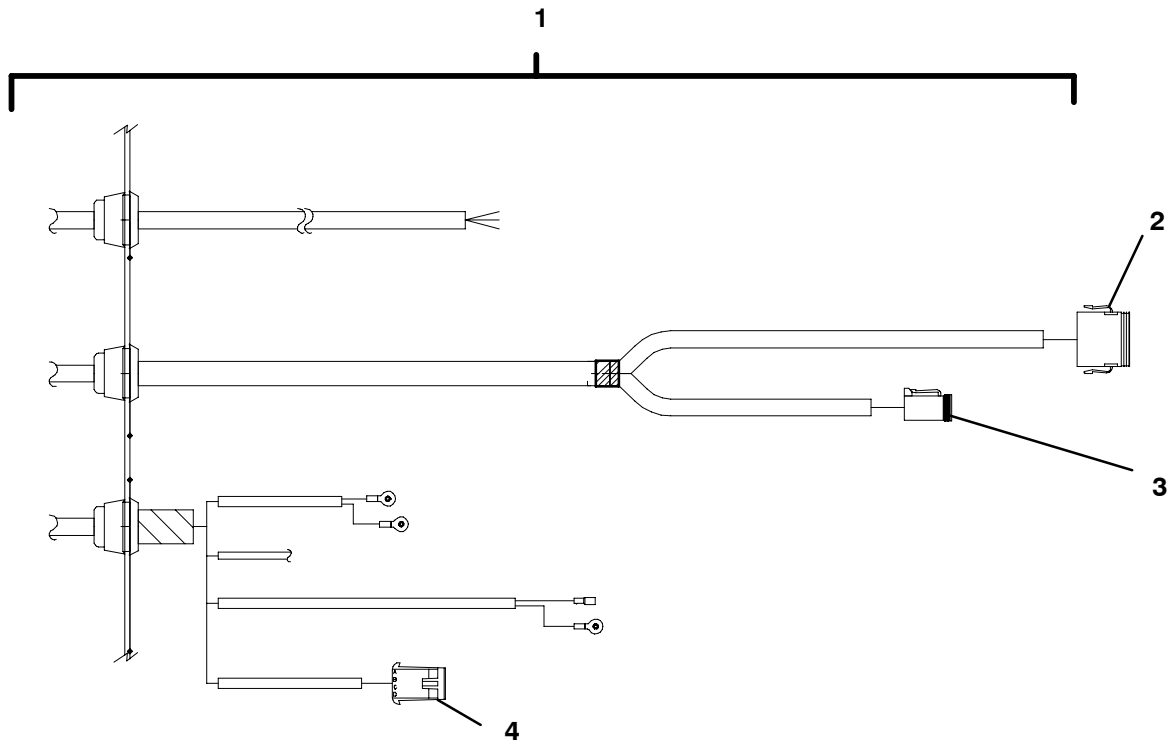
8.7 ELECTRICAL - HARNESS - UNIT, STANDBY UNITS



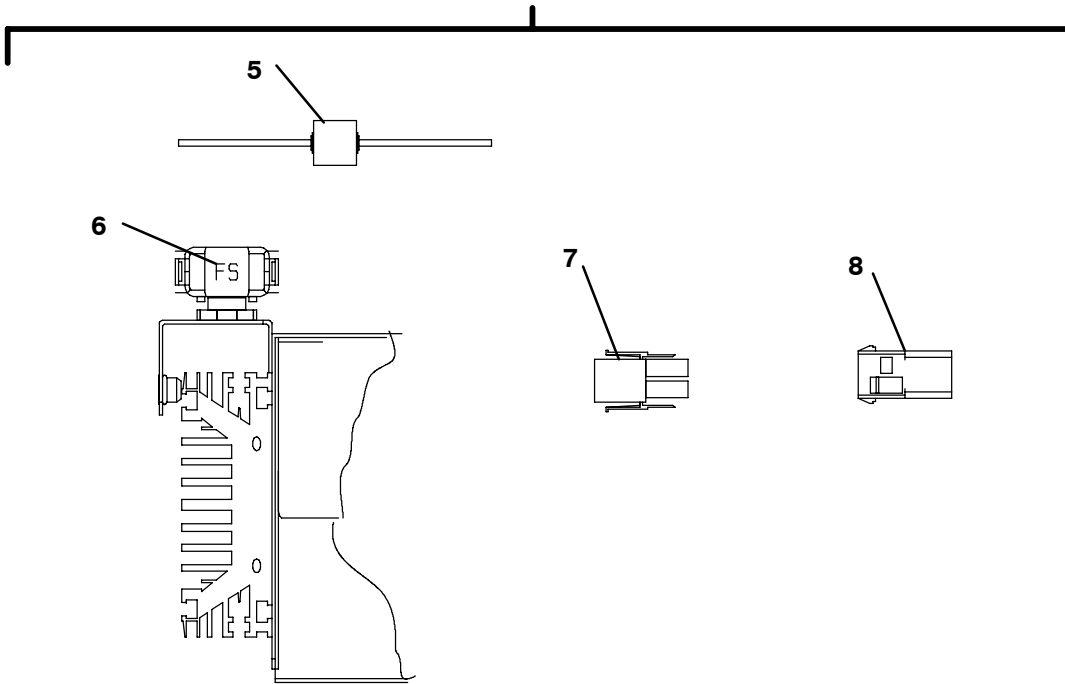
8.7 ELECTRICAL - HARNESS - UNIT, STANDBY UNITS

Item	Part Number	Description	Qty
1	22-60604-00	HARNESS, UNIT, STANDBY UNITS - INCLUDES:	1
2	22-50078-01SV	CONNECTOR, 2-WIRE (MATES W/ 22-50078-02SV) CFM, HP2, RAS1	3
3	22-01613-02	CONNECTOR, 2-WIRE (MATES W/ 22-01613-00) HGV1	1
4	22-60068-00	CONNECTOR, SOLENOID VALVE COIL MHV	1
5	22-50078-02SV	CONNECTOR, 2-WIRE (MATES W/ 22-50078-01SV) HP1, DTT1	2
6	22-01613-10	CONNECTOR, 4-WIRE (MATES W/ 22-01613-08) EFM1, EFM2	2
7	22-02392-00SV	CONNECTOR, 2-WIRE (MATES W/ 22-01585-00SV) INV	1
8	22-01613-00	CONNECTOR, 2-WIRE (MATES W/ 22-01613-02) DWR1	1
9	22-01585-00SV	CONNECTOR, 2-WIRE (MATES W/ 22-02392-00SV) LP	1
10	22-60668-00	CONNECTOR, 2-WIRE, SKS	1
11	10-00437-01	SWITCH, SAFETY SKS	1
12	22-50098-49SK	FUSE HOLDER AND COVER, MAXI FUSE TYPE FR	1
13	22-02336-16	FUSE, 40 AMP FR	1
14	22-50078-03SV	CONNECTOR, 8-WIRE (MATES W/ 22-50078-04SV) CB	1
15	22-60536-00SK	CONNECTOR, 56-WIRE MP1	1

8.8 ELECTRICAL - HARNESS - CONTROL BOX



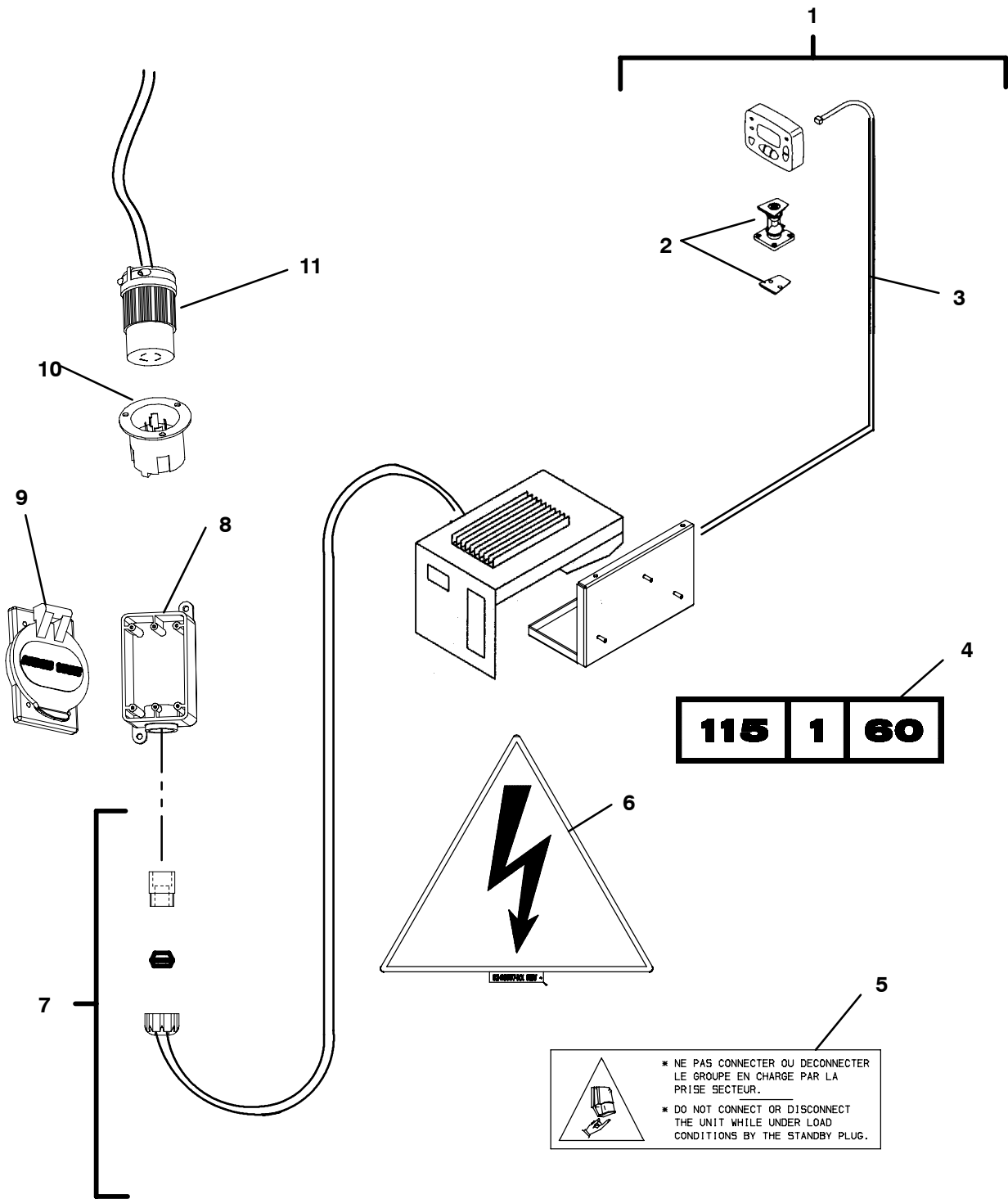
LOCATED IN CONTROL BOX



8.8 ELECTRICAL - HARNESS - CONTROL BOX

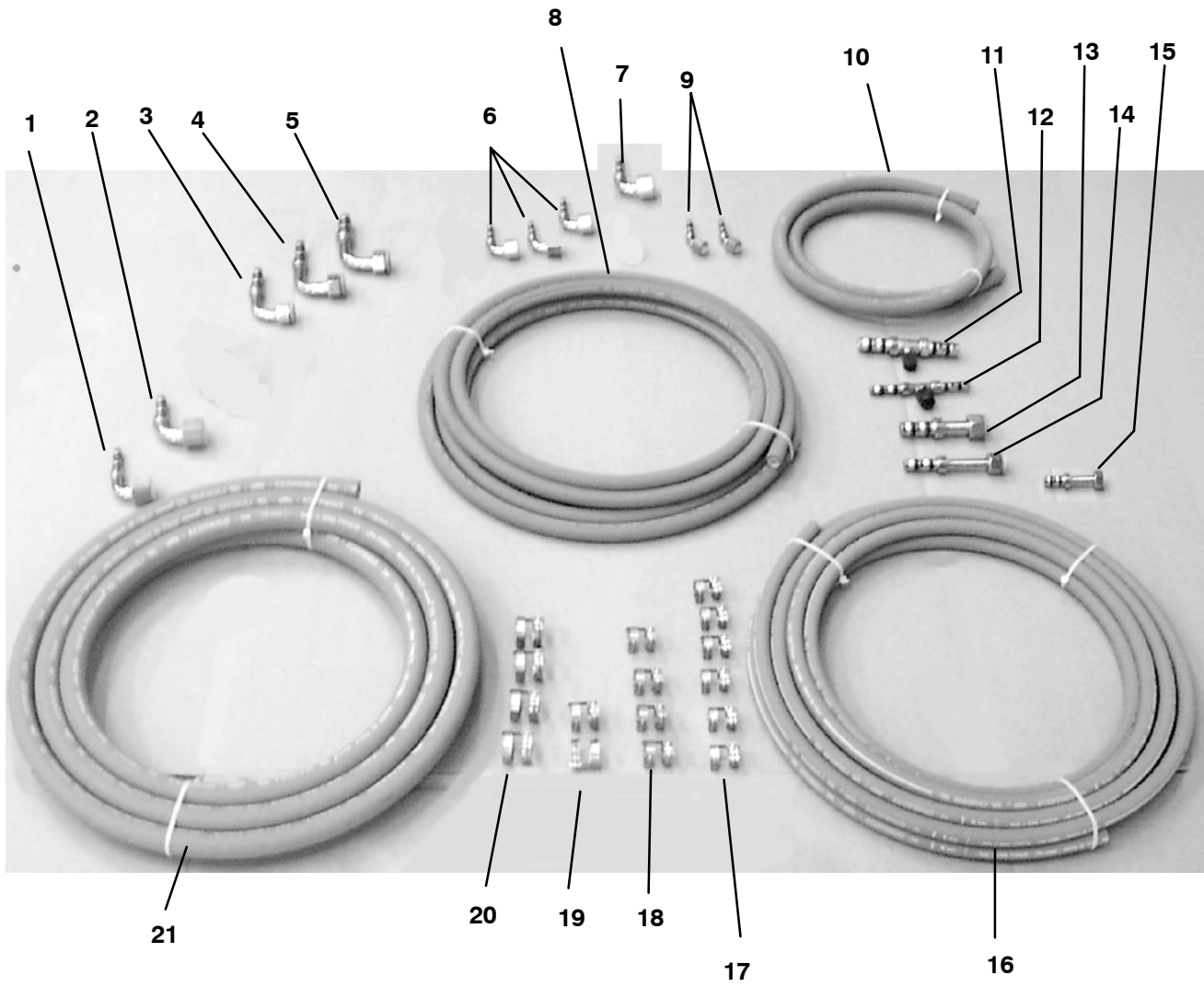
Item	Part Number	Description	Qty
1	22-60606-03	HARNESS, CONTROL BOX, 115/1/60 UNITS - INCLUDES:	1
	22-60606-02	HARNESS, CONTROL BOX, 230/1/60 UNITS - INCLUDES:	
	22-60606-00	HARNESS, CONTROL BOX, 230/3/60 UNITS - INCLUDES:	
2	22-01613-25	CONNECTOR, 12-WIRE (MATES W/ 22-01613-23) SBMC	1
3	22-01613-10	CONNECTOR, 4-WIRE (MATES W/ 22-01613-08) TRC	1
4	22-50078-04SV	CONNECTOR, 8-WIRE (MATES W/ 22-50078-03SV) CB	1
5	10-01021-00	DIODE, 6A	1
6	22-50098-49SK	FUSE HOLDER AND COVER, MAXI FUSE TYPE FS	1
7	22-60300-06	CONNECTOR, 6-WIRE (MATES W/ 22-60300-07), 230/3/60 UNITS	1
8	22-60300-07	CONNECTOR, 6-WIRE (MATES W/ 22-60300-06), 230/3/60 UNITS	2

8.9 ELECTRICAL - CAB COMMAND AND STANDBY POWER CONNECTORS



8.9 ELECTRICAL - CAB COMMAND AND STANDBY POWER CONNECTORS			
Item	Part Number	Description	Qty
1	79-60428-00	CAB COMMAND, STANDBY UNITS ONLY - INCLUDES:	1
	79-60409-00	CAB COMMAND, ROAD ONLY UNITS - INCLUDES:	
2	22-60166-00	BRACKET, CAB COMMAND	1
3	22-60551-04	CAB COMMAND CABLE, STANDBY UNITS ONLY 10M LONG	1
	22-60168-05	CAB COMMAND CABLE, ROAD ONLY UNITS 10M LONG	
4	62-60408-01	DECAL, VOLTAGE 115/1/60	1
	62-60408-08	DECAL, VOLTAGE 230/1/60	
	62-60408-11	DECAL, VOLTAGE 230/3/60	
5	62-60280-00	DECAL, STANDBY SAFETY	1
6	62-03957-01	DECAL, WARNING HIGH- VOLTAGE	1
7	58-60605-00	CABLE SEAL ASSEMBLY (INCL. BODY, GROMMET, & NUT)	1
8	58-60604-01	BOX, POWER RECEPTACLE	1
9	58-60606-00	COVER ASSEMBLY, RECEPTACLE BOX	1
10	22-60695-01	RECEPTACLE ASSEMBLY, 30 AMP, 115/1/60 AND 230/1/60 UNITS	1
	22-60697-00	RECEPTACLE ASSEMBLY, 20 AMP, 230/3/60 UNITS	
11	22-60694-01	PLUG, POWER, 30 AMP, 115/1/60 AND 230/1/60 UNITS	1
	22-60696-00	PLUG, POWER, 20 AMP, 230/3/60 UNITS	

9 REFRIGERATION HOSES AND FITTINGS



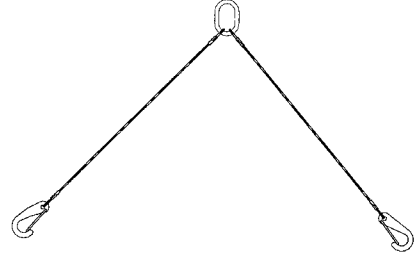
9 REFRIGERATION HOSES AND FITTINGS			
Item	Part Number	Description	Qty
1	40-60048-03	ELBOW, HOSE, ORS, 90°, #8	1
2	40-60048-04	ELBOW, HOSE, ORS, 90°, #10	1
3	40-60061-03	ELBOW, HOSE, ORS, 90°, # 8	1
4	40-60061-04	ELBOW, HOSE, ORS, 90°, # 10 - 12	1
5	40-60061-07	ELBOW, HOSE, ORS, 90°, # 10 - 12	1
6	40-60048-02	ELBOW, HOSE, ORS, 90°, #6	3
7	40-60048-05	ELBOW, HOSE, ORS, 90°, #12	1
8	58-60115-03F50	HOSE, #8 (SOLD IN 50 FT ROLLS)	A/R
9	40-60048-01	ELBOW, HOSE, ORS, 90°, #4 - 6	2
10	58-60115-04F50	HOSE, #10 (SOLD IN 50 FT ROLLS)	A/R
11	40-60058-05	SERVICE PORT, # 12	1
12	40-60059-03	SERVICE PORT, # 8	1
13	40-60060-07	FITTING, HOSE, ORS, STRAIGHT, # 10 - 12	1
14	40-60060-03	FITTING, HOSE, ORS, STRAIGHT, # 8	1
15	40-60047-02	FITTING, HOSE, ORS, STRAIGHT, #6	1
16	58-60115-02F50	HOSE, #6 (SOLD IN 50 FT ROLLS)	A/R
17	34-60019-02	CLAMP, #6	6
18	34-60019-03	CLAMP, #8	4
19	34-60019-04	CLAMP, #10	2
20	34-60019-05	CLAMP, #12	4
21	58-60115-05F50	HOSE, #12 (SOLD IN 50 FT ROLLS)	A/R

10 SERVICE TOOLS

1



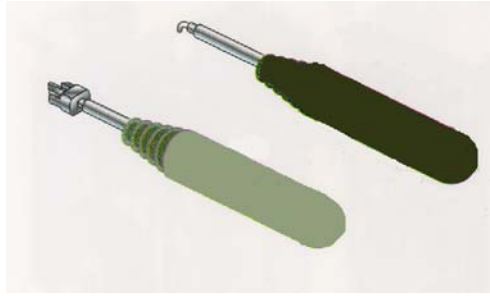
2



3



4



5



6

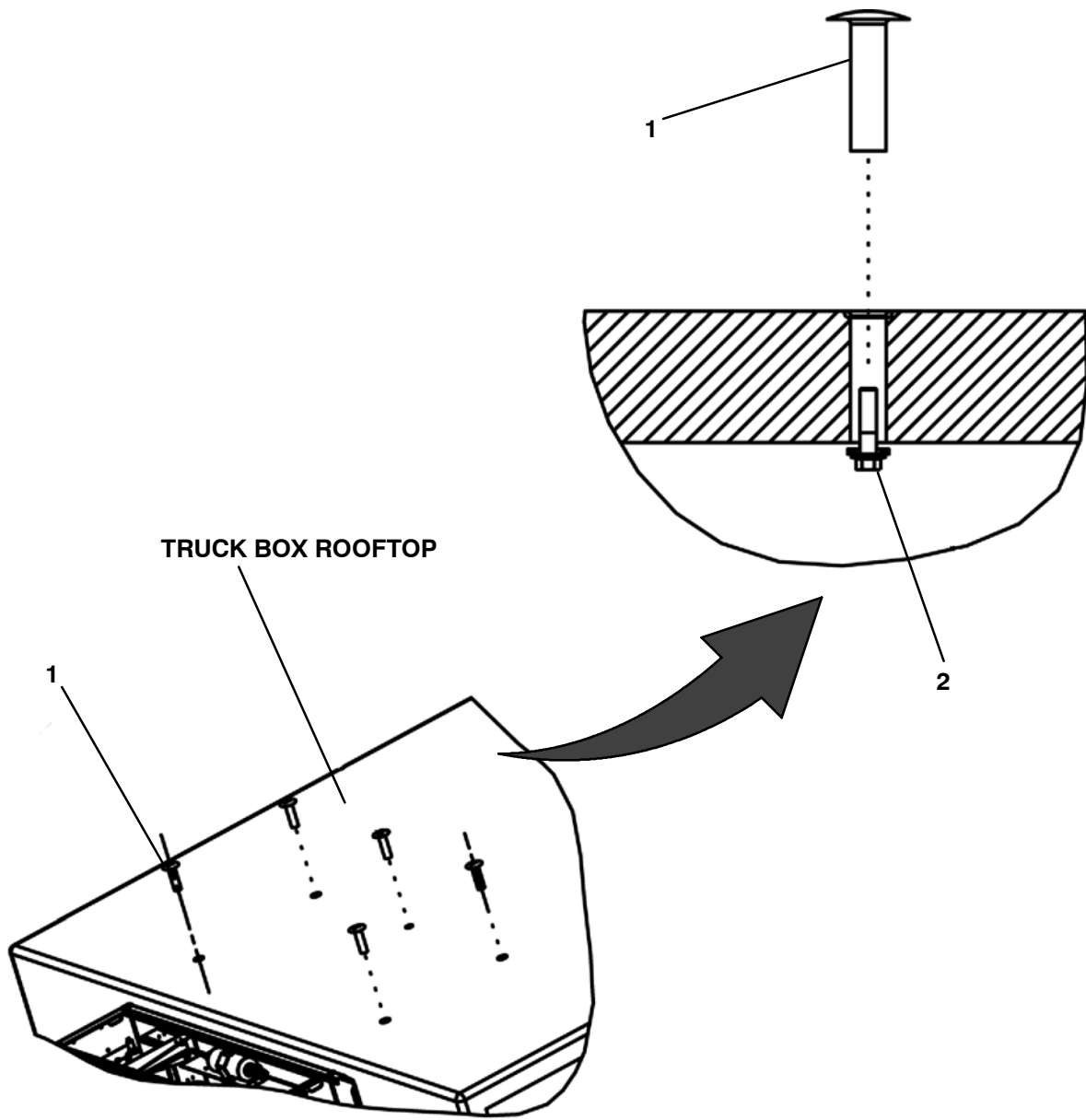


7



9 REFRIGERATION HOSES AND FITTINGS			
Item	Part Number	Description	Qty
1	07-60089-00	SET OF CRIMPING PLIERS FOR 56-WIRE CONNECTOR	1
2	07-60049-00	LIFTING DEVICE	1
3	76-61011-00	DOWNLOAD BOX	1
4	07-60090-00	CONNECTOR REMOVER TOOL SET FOR 56-WIRE CONNECTOR	1
5	07-00440-00	CAB COMMAND CABLE DIAGNOSTIC TOOL	1
6	07-00383-20	BLADE, HOSE CUTTER	1
7	07-60009-00	TOOL KIT FOR REFRIGERANT HOSES	1

11 MOUNTING HARDWARE



Item	Part Number	Description	Qty
1	34-01262-00	RETAINER, NUT (MOUNTING PLUG), M12	A/R
2	34-60147-00	SCREW, HEX HD, WITH FLANGE, M12 X 45 MM	A/R

11 MOUNTING HARDWARE (CONT.)		
Part Number	Description	Qty
76-61093-00	O-RING PACKAGE, DIRECT DRIVE - INCLUDES:	1
42-00243-10	O-RING, 1/4"	2
42-00243-09	O-RING, 3/8"	9
42-00243-04	O-RING, 1/2"	6
42-00243-03	O-RING, 5/8"	7
42-00243-11	O-RING, 3/4"	1
34-60014-04	BOLT, T-HEAD, M12 X 140 LG.	4
22-02336-29	FUSE, 50 AMP	1
44-60061-00	BASE, TYWRAP	10
48-60178-02	SPACER, 12MM ID X 40MM OD X 4MM THK	4
34-01184-62	NUT, LOCK, M12 NYLOCK	4
22-50078-61SV	FUSE HOLDER AND COVER ASSEMBLY, MAXI FUSE	1
22-02336-10	FUSE, 1 AMP	1
34-60147-00	SCREW, CAP HXHD M12X45 FLANGE	4
58-60265-01	TEE, DEFROST, DRAIN, 5/16 X 5/16 X 5/16	1
40-60056-01	FITTING, COMPRESSOR OIL RETURN, 1/4 ORS X M8	1
58-60400-04	HOSE, WATER 17 ID X 6.0 METER	1

PART NUMBER INDEX

PART NO.	PAGE NO.	PART NO.	PAGE NO.	PART NO.	PAGE NO
04-60008-22	11	12-60044-01	23, 25	22-50098-01	29
04-60008-27	11	14-00269-10	2, 17	22-50098-49SK	1, 23, 25, 27, 31, 33
07-00383-20	39	14-00286-00	2, 7, 15	22-60068-00	17, 29, 31
07-00440-00	39	14-00286-02	2, 7	22-60102-07	1, 27
07-60009-00	39	14-00286-04	2, 7	22-60102-08	1, 23
07-60049-00	39	14-00326-04	1, 7	22-60102-17	1, 23
07-60089-00	39	14-00329-01	2, 17	22-60102-18	1, 25
07-60090-00	39	14-00332-00	2, 7	22-60166-00	2, 19, 21, 35
08-60003-02	15	14-01092-06	2, 7	22-60167-01	2, 21
08-60134-00	13	14-60000-01	2, 15	22-60168-05	2, 19, 35
08-60176-00	7	14-60009-03	2, 15	22-60184-00	23, 25, 27
10-00286-07	23, 25, 27	14-60039-03	2, 15	22-60195-00	29
10-00302-00	23, 25, 27	14-60062-06	2, 7	22-60196-00	29
10-00383-20	21	17-31252-00	1	22-60268-00	2, 7
10-00383-22	21	17-31307-00	1	22-60275-12	19
10-00384-01	25, 27	18-00083-02	1, 11	22-60275-15	29
10-00385-03	19	18-00083-70	1	22-60300-06	33
10-00391-20	27	18-00083-80	1	22-60300-07	33
10-00437-01	2, 19, 29, 31	22-01585-00SV	17, 29, 31	22-60300-10	29
10-01021-00	33	22-01613-00	31	22-60313-00	1, 23, 25, 27
10-60012-00	25	22-01613-02	29, 31	22-60405-00	2, 17
10-60012-01	27	22-01613-08	15	22-60419-00	2, 17
10-60012-01	27	22-01613-10	29, 31, 33	22-60536-00SK	31
10-60040-05	23, 25, 27	22-01613-23	11	22-60540-00	1, 23
10-60044-12	23	22-01613-25	33	22-60540-01	1, 25, 27
10-60044-31	25	22-02336-01	1, 19	22-60543-06	1, 23
10-60044-32	27	22-02336-02	1, 23, 25, 27	22-60543-07	1, 25
10-60045-02	23, 25, 27	22-02336-10	1, 41	22-60543-10	1, 27
10-60047-01	25	22-02336-14	1, 23, 25, 27	22-60548-01	23, 25, 27
10-60047-05	27	22-02336-16	1, 27, 31	22-60551-04	2, 21, 35
10-60048-03	25	22-02336-29	1, 41	22-60571-10	2
10-60048-06	27	22-02392-00SV	2, 15, 29, 31	22-60571-11	2
12-00507-00	2, 17	22-50078-01SV	2, 7, 15, 29, 31	22-60590-00	2, 7
12-00511-52	19	22-50078-02SV	2, 7, 21, 29, 31	22-60604-00	2, 21, 31
12-00512-21	19	22-50078-03SV	31	22-60605-00	23
12-00526-19	21	22-50078-04SV	33	22-60605-01	25, 27
12-00526-88	1, 21	22-50078-61SV	1, 41	22-60606-00	2, 23, 33
12-60015-04	2, 15				
12-60032-02	2, 7				
12-60032-03	2, 7				

PART NUMBER INDEX

PART NO.	PAGE NO.	PART NO.	PAGE NO.	PART NO.	PAGE NO
22-60606-02	2, 25, 33	34-60089-06	5, 7, 19, 21	40-60059-03	37
22-60606-03	2, 27, 33			40-60060-03	37
22-60609-00	21	34-60095-24	19, 21	40-60060-07	37
22-60668-00	2, 19, 29, 31	34-60095-25	13, 15, 21, 25, 27	40-60061-03	37
22-60694-01	35	34-60095-27	7, 13, 23, 25, 27	40-60061-04	37
22-60695-01	35	34-60095-29	7	40-60061-07	37
22-60696-00	35	34-60096-06	21	40-60159-00	9, 15
22-60697-00	35	34-60147-00	40, 41	40-60165-00	15
22-60796-01	2, 19, 29	34-60198-16	13, 15	40-60169-02	15
22-60810-00	2, 15	34-60213-08	15	40-60169-03	9
34-00876-25	11	34-60218-12	15	40-60169-05	15
34-00945-10	11	38-60017-00	7	40-60169-06	15
34-00946-58	11	40-60007-01	3	40-60170-02	15
34-01151-05	25, 27	40-60007-02	3	40-60218-00	1, 11
34-01152-10	23, 25, 27	40-60007-03	3	42-00032-00	15
34-01152-16	11, 21	40-60007-04	3	42-00243-00	3
34-01152-20	13	40-60007-11	3	42-00243-03	3, 15, 41
34-01152-35	7	40-60008-01	3	42-00243-04	3, 7, 41
34-01184-03	23, 25, 27	40-60008-02	7	42-00243-09	1, 3, 7, 15, 41
34-01184-05	13	40-60008-02	3	42-00243-10	3, 41
34-01184-62	41	40-60008-03	9	42-00243-11	15, 41
34-01262-00	40	40-60008-03	3	42-60042-01	13
34-60000-10	25, 27	40-60008-04	3	44-00293-22	15
34-60000-16	13, 15, 19	40-60008-07	3	44-01145-03	23, 25, 27
34-60001-20	7	40-60009-01	3	44-01145-13	23, 25, 27
34-60014-04	41	40-60009-02	3, 7	44-01145-23	23, 25, 27
34-60019-02	37	40-60009-03	3, 9	44-60009-04	7
34-60019-03	37	40-60009-04	3	44-60010-01	7
34-60019-04	37	40-60009-06	3	44-60024-25	23, 25, 27
34-60019-05	37	40-60047-02	37	44-60041-14	13
34-60022-03	11	40-60047-03	11	44-60044-01	13
34-60044-00	5	40-60048-01	37	44-60044-12	15
34-60044-02	5	40-60048-02	37	44-60044-13	15
34-60068-20	7, 11, 15, 19, 21	40-60048-03	37	44-60061-00	41
34-60080-130	11	40-60048-04	37	48-60142-00	11
34-60084-06	11	40-60048-05	37	48-60145-54	11
34-60085-08	11	40-60050-03	11	48-60145-83	7
34-60089-05	19, 23, 25, 27	40-60056-01	41	48-60178-02	41
		40-60058-05	37		

PART NUMBER INDEX

PART NO.	PAGE NO.	PART NO.	PAGE NO.	PART NO.	PAGE NO.
48-60333-00	19, 21	58-60535-00	5	76-61011-00	39
50-60107-01	11	58-60604-01	35	76-61042-02	3
50-60135-00	1, 11	58-60605-00	35	76-61042-03	3
50-60198-02	1, 11	58-60606-00	35	76-61057-00	21
54-00554-00	15	62-03957-01	35	76-61059-00	3
54-60006-17	7	62-04069-03	5	76-61059-01	3
54-60006-30	7	62-60063-00	15	76-61076-00	3
54-60006-31	7	62-60280-00	35	76-61093-00	41
54-60028-10	1, 11	62-60302-00	23	79-60409-00	2, 19, 35
54-60028-12	1, 11	62-60390-01	5	79-60428-00	2, 21, 35
54-60028-13	1, 11	62-60390-02	13	79-60434-00	13
58-00836-14	7	62-60408-01	27, 35	79-60453-00	23, 25, 27
58-60115-02F50	3, 37	62-60408-08	35	79-60515-02	23, 25, 27
58-60115-03F50	3, 37	62-60408-11	35	79-60665-00	13
58-60115-04F50	3, 37	62-60408-13	25	79-60667-01	23, 25, 27
58-60115-05F50	3, 37	62-60774-00	15	81-60119-01	15
58-60265-01	41	62-60899-00	21	81-60120-00	15
58-60298-02	13, 23, 25, 27	62-60899-02	21	81-60379-00	15
58-60298-03	23, 25, 27	62-60899-03	21	81-60384-00	13
58-60302-07	15	62-61335-00	19	81-60386-00	15
58-60335-01	13	62-61446-02	13	81-60422-00	7, 9
58-60336-01	13	65-60059-01	7	81-60458-00	7, 9
58-60399-00	13	65-60060-00	7	82-60075-00	7
58-60400-04	41	67-60578-00	19	86-60775-00	7
58-60401-00	13	68-60651-00	13	86-60784-00	11
58-60461-00	13	68-60672-00	15	86-61039-00	11
58-60485-00	13	68-61394-00	23, 25, 27	91-60194-00	21, 23
58-60522-00	11	73-60022-01	11	91-60194-20	21, 25
58-60534-00	5	73-60041-00	5	91-60194-30	21, 27
		76-60891-00	3	91-60270-00	19

North America
Carrier Transicold
700 Olympic Drive
Athens, GA 30601 USA
Tel: 1-706-357-7223
Fax: 1-706-355-5435

**Central America
and Mexico**
Ejercito Nacional No. 418
Piso 9, Torre Yumal
Col. Chapultepec Morales
11570 Mexico, D.F.
Tel: (5255) 9126.0300
Fax: (5255) 9126.0373



Carrier

A United Technologies Company

Carrier Transicold Division,
Carrier Corporation
Truck/Trailer Products Group
P.O. Box 4805
Syracuse, N.Y. 13221 U.S.A

www.carrier.transicold.com



A member of the United Technologies Corporation family. Stock symbol UTX
©2006 Carrier Corporation • Printed in U. S. A. 0606