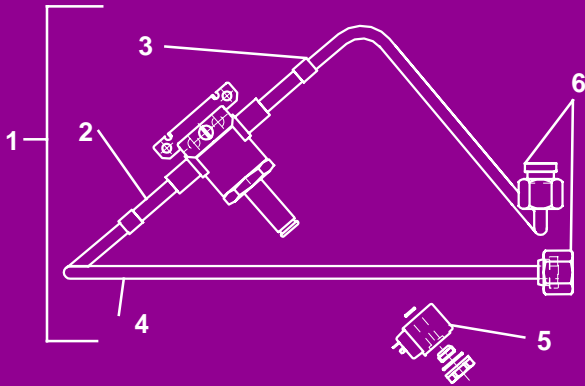




Truck Refrigeration



SERVICE PARTS LIST for **INTEGRA 30S** Truck Refrigeration Units Beginning With S/N PB 225225



TRANSICOLD

SERVICE PARTS LIST

INTEGRA 30S

TRUCK REFRIGERATION UNIT

BEGINNING WITH S/N PB 225225

TABLE OF CONTENTS

PARAGRAPH NUMBER	Page
INTRODUCTION	ii
ORDERING INSTRUCTIONS	ii
GENERAL NOTES	ii
1 QUICK LIST	1
1.1 QUICK LIST - FILTERS, FUSES AND BELTS	1
1.2 QUICK LIST - COMPRESSOR	1
1.3 QUICK LIST - COMPRESSOR CLUTCHES	1
1.4 QUICK LIST - COMPRESSOR CLUTCH COIL	1
1.5 QUICK LIST - OPTION KITS	1
1.6 QUICK LIST - REFRIGERANT HOSES	1
1.7 O-RING FACE SEAL FITTINGS AND O-RINGS	2
2 FRAME/CONDENSER FAN	4
3 SKINS/DECALS	5
4 HOSES AND FITTINGS, CLAMPS AND O-RINGS	6
4.1 HOSES AND FITTINGS	7
4.2 QUICK-CLICK REFRIGERANT HOSE CLAMPS FOR FITTINGS	7
4.3 O-RINGS	7
5 CONDENSER	8
5.1 CONDENSER - ROAD ONLY VERSION	8
5.2 CONDENSER - ROAD/STANDBY VERSION	10
6 DISCHARGE ASSY/OIL SEPARATOR	12
7 EVAPORATOR	14
7.1 CPR INSTALLATION (115V ONLY)	16
7.2 QUENCH VALVE ASSEMBLY	18
8 POWER TRAY - STANDBY MOTOR/COMPRESSOR	20
9 ELECTRICAL	22
9.1 ELECTRICAL - ROAD ONLY	22
9.2 ELECTRICAL - ROAD/STANDBY	24
9.3 ELECTRICAL - CAB COMMAND AND STANDBY POWER BOX/PLUG	26
9.4 ELECTRICAL - HARNESS - ROAD ONLY	28
9.5 ELECTRICAL - HARNESS - ROAD/STANDBY	30
10 CONTROL BOX	32
10.1 CONTROL BOX - 230/1/60	32
10.2 CONTROL BOX - 230/3/60	34
10.3 CONTROL BOX - 115/1/60	36
10.4 HARNESS - CONTROL BOX	38
11 HOSE KIT	40
PART NUMBER INDEX	Index-1

INTRODUCTION

This parts list identifies service replacement parts for the Carrier Transicold Integra 30S Refrigeration Units beginning with serial number PB 225225. (Parts listing for units with serial numbers taking the format of three alphabetical characters followed by eight numerical characters may be found in manual 62-10052.)

Integra 30S units are designed for medium temperature cooling, heating and defrost for truck applications.

MODEL CHART		
These may be ordered using the model number as the part number. (All units are supplied with ThinLine Evaporator and Condenser Shut-off Valve)		
Description	Voltage	Model number
Road Only	12V, No Standby	8002189
Road/Standby	12V, 115/1/60	8002191
Road/Standby	12V, 230/1/60	8002193
Road/Standby	12V, 230/3/60	8002195

ORDERING INSTRUCTIONS

All orders and inquiries for parts must include:

SUnit Serial Number

SPart Number

SDescription of Part

S Quantity Required

Address all correspondence for parts to the following address:

CARRIER TRANSICOLD DIVISION
Performance Parts Group, TR-20
P.O. Box 4805 Syracuse, NY 13221
or
Fax to: (315) 432-3778

GENERAL NOTES

To find replacement parts, consult Table of Contents, and turn to the appropriate page for the illustrated breakdown of replacement parts.

The following letter designations are used to classify parts throughout this list:

A/R *As Required.*

NSA *Non-Stock Assembly* - order components listed under the assembly.

P-- *Suffix P--* added to the part number means the part is available in a packaged quantity only.
Example: P/N34-00373-01P10 is a package of 10 P/N34-00373-01.
Use the part number and the P-- suffix when ordering.

PL *Purchase locally.*

SST *Stainless Steel* - 300 Series unless otherwise specified.

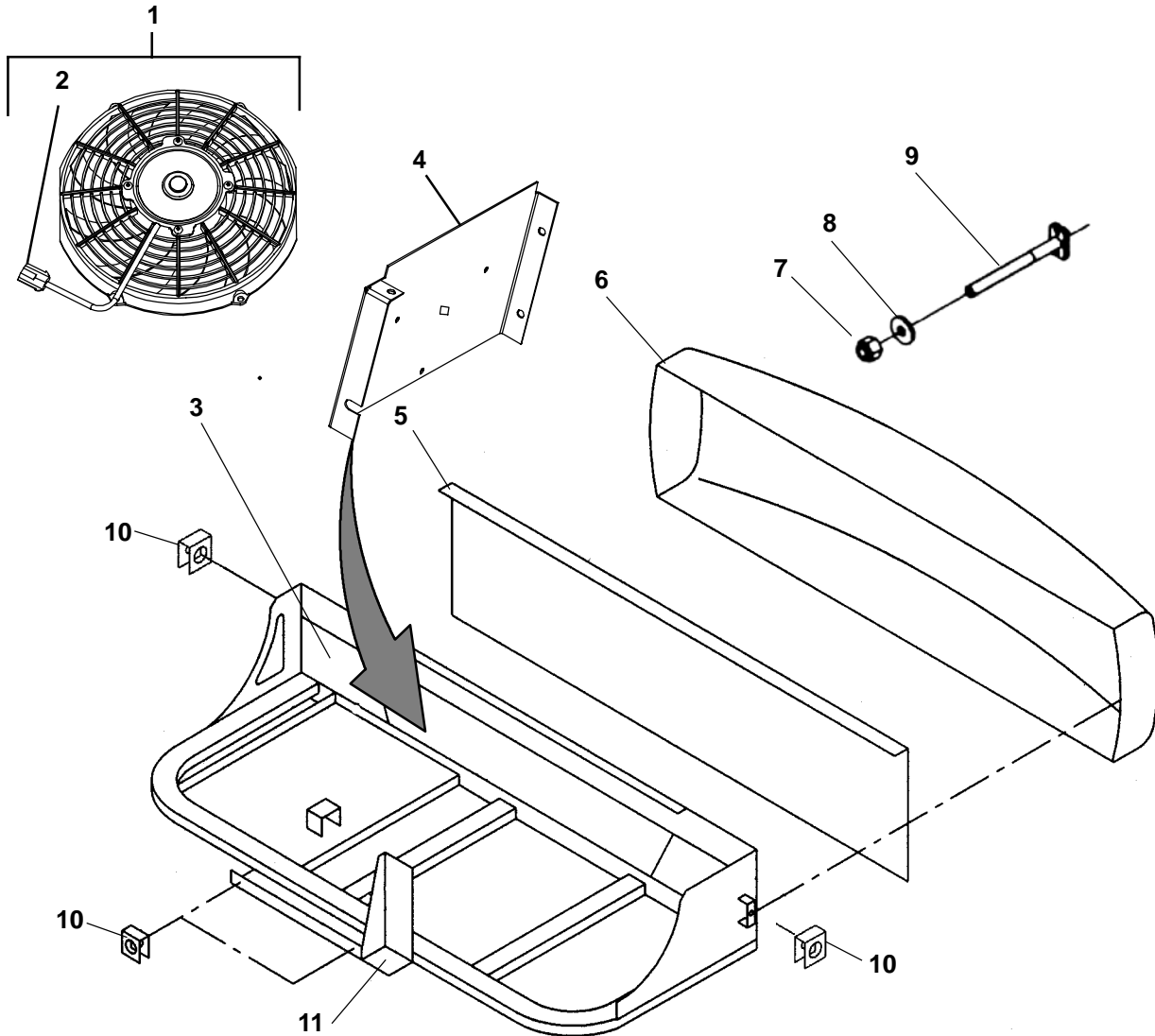
SV *Suffix SV* - added to the part number designates service part replacement part.

1 QUICK LIST	
1.1 QUICK LIST - FILTERS, FUSES AND BELTS	
PART NO.	DESCRIPTION
14-60018-04	FILTER DRIER PRIOR TO PB234079
14-00326-04	FILTER DRIER BEGINNING WITH PB234079
22-02336-00	FUSE - 30 A
22-02336-02	FUSE - 5 A
22-02336-05	FUSE - 25 A
22-02336-10	FUSE - 1 A
22-02336-16	FUSE - 40 A
22-50078-61SV	KIT, MAXIFUSE HOLDER AND COVER
22-60102-08	FUSE, 4 A
22-60102-11	FUSE, 5 A
22-60313-02	FUSEHOLDER, ATO TYPE, WITH CAP
50-60198-02	V-BELT
1.2 QUICK LIST - COMPRESSOR	
PART NO.	DESCRIPTION
18-00085-02	COMPRESSOR, ROAD OR STANDBY 2A GROOVE - 12 VOLT
108-1961SV	COMPRESSOR, ROAD POLY V 8GR, 12 VOLT, TAB/EAR MOUNT
108-1962SV	COMPRESSOR, ROAD VARIABLE A OR B GROOVE, 12 VOLT, TAB/EAR MOUNT
18-00084-90SV	COMPRESSOR, ROAD, TM16, 12V, 2A GROOVE, PAD/DIRECT MOUNT
18-00084-91SV	COMPRESSOR, ROAD, TM16, 12V, VARIABLE AB GROOVE, PAD/DIRECT MOUNT
18-00084-92SV	COMPRESSOR, ROAD, TM16, 12V, 8 GROOVE, POLY V PAD/DIRECT MOUNT
1.3 QUICK LIST - COMPRESSOR CLUTCHES	
PART NO.	DESCRIPTION
50-60135-00	COMPRESSOR CLUTCH ASSY, 2A GROOVE, 135 MM, LEAF SPRING
17-31252-00	COMPRESSOR CLUTCH ASSY, VARIABLE AB GROOVE
AC501-291	COMPRESSOR CLUTCH ASSY, 8 GROOVE, POLY V
1.4 QUICK LIST - COMPRESSOR CLUTCH COIL	
PART NO.	DESCRIPTION
17-31307-00	COIL, CLUTCH - 12 VOLT
1.5 QUICK LIST - OPTION KITS	
PART NO.	DESCRIPTION
8000883-ATH	ROOF MOUNT KIT
76-00558-00	INSTALLATION KIT
76-00577-00	WATER HEATER KIT
76-68020-00	CPR KIT, CEILING EVAPORATOR
76-68555-00	THINLINE EVAPORATOR WALL MOUNT BRACKET KIT
250-1501	COMP. HORIZONTAL PORT KIT
76-68550-00	CONDENSER SHUT-OFF KIT
58-60190-01	HOSE/FITTING KIT, REFRIGERANT, 30S

1.7 O-RING FACE SEAL FITTINGS AND O-RINGS

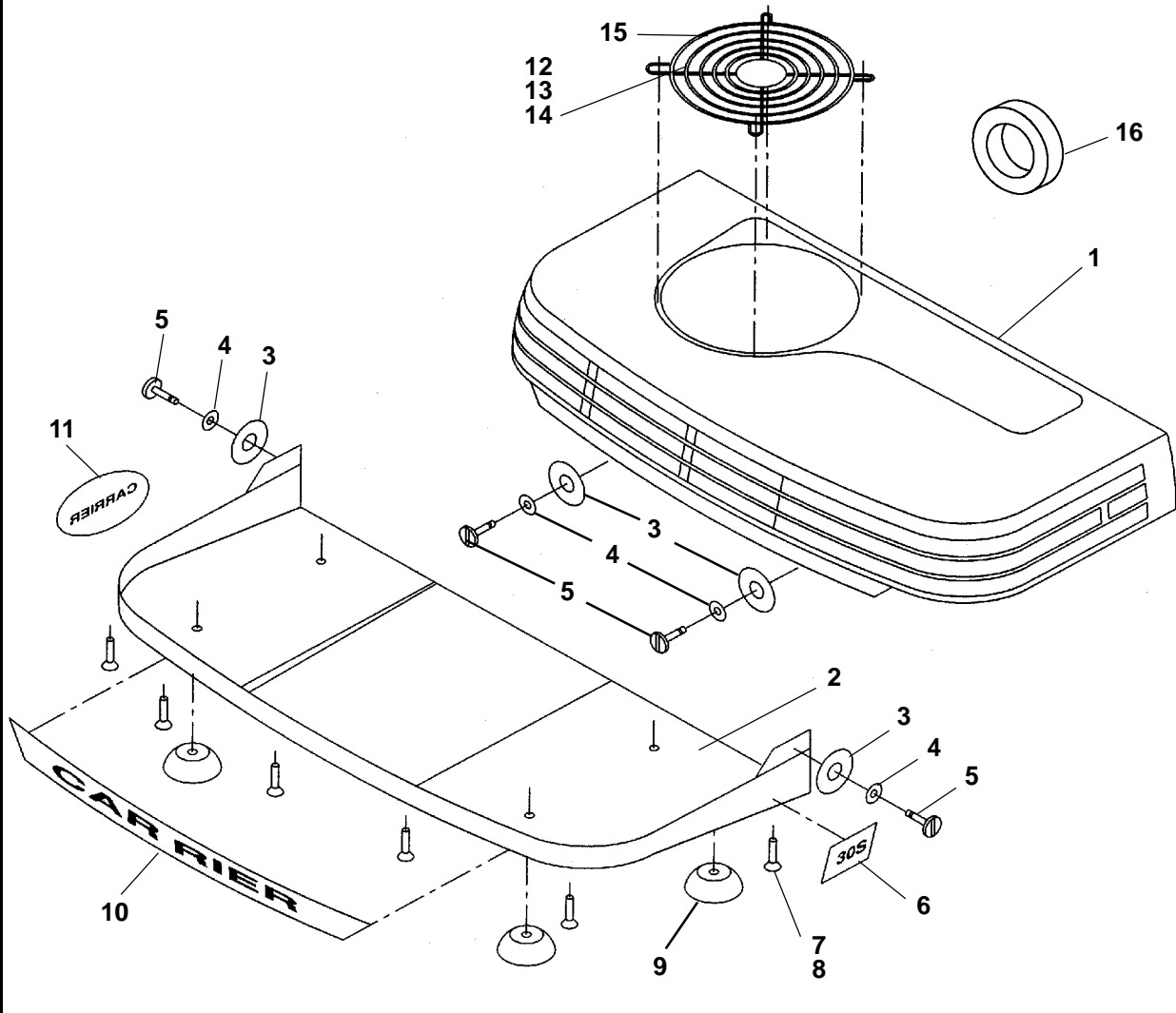
TUBE SIZE - OD	SLEEVE P/N	NUT P/N	O-RING P/N	MALE ORS FITTING
1/4"	40-60008-01	34-06121-07	42-00243-10	40-60007-01
3/8"	40-60008-02	34-06121-06	42-00243-09	40-60007-02
1/2"	40-60008-03	34-06121-05	42-00243-04	40-60007-03
5/8"	40-60008-04	34-06121-04	42-00243-03	40-60007-04
7/8"	40-60008-07	34-06121-00	42-00243-00	40-00491-00

2 FRAME/CONDENSER FAN



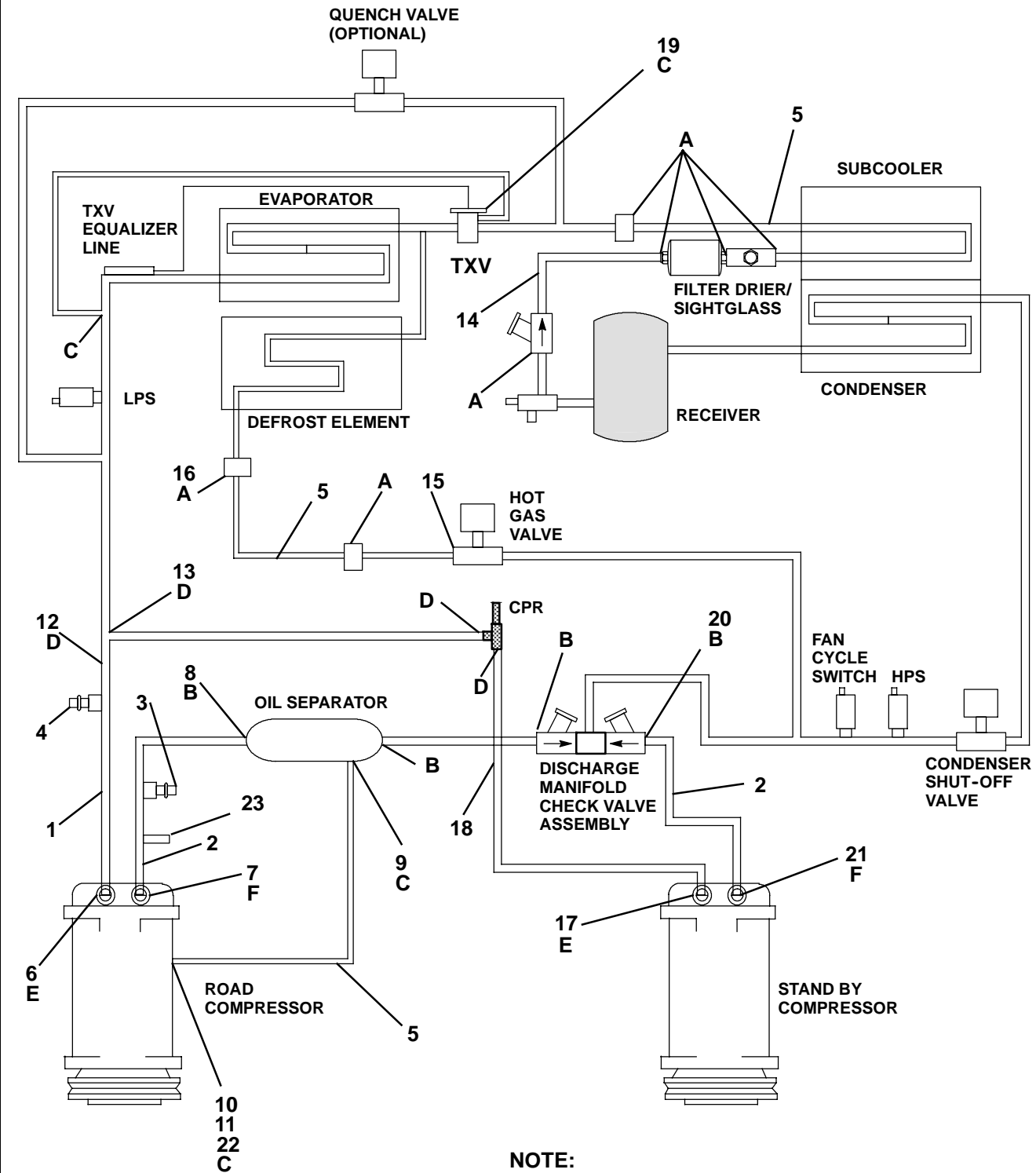
Item	Part Number	Description	Qty
1	54-00598-00	CONDENSER FAN/MOTOR ASSEMBLY - INCLUDES:	1
2	22-50078-01SV	CONNECTOR, 2 WAYS (MATES WITH 22-50078-02SV)	1
3	86-60940-00	FRAME	1
4	68-61994-00	BRACKET, MICRO SUPPORT	1
5	68-60279-00	PLATE, REAR (OPTIONAL)	1
6	58-60197-00	COVER, REAR (OPTIONAL)	1
7	34-01184-62	NUT, LOCK, M12 NYLOCK	4
8	48-60178-02	WASHER, 12 ID 40 OD	4
9	34-60014-04	BOLT, T-HEAD M12 X 140MM	4
10	44-01145-16	RECEPTACLE, DOOR LATCH	4
11	42-01164-02	SEAL, SELF-GRIP	A/R

3 SKINS/DECALS



Item	Part Number	Description	Qty
1	58-60617-00	COVER, TOP, BLACK	1
2	58-60192-00	SKIN, BOTTOM, WHITE	1
3	48-60065-00	WASHER, FLAT, 7MM ID	4
4	44-01145-13	WASHER, INTERNAL STAR, DOOR LOCK, 6MM	4
5	44-01145-02	FASTENER, 1/4 TURN, 7MM, DOOR LOCK	4
6	62-60389-00	DECAL, 30S	1
7	34-60127-00	WASHER, WHITE NYLON	6
8	34-60105-20	SCREW, M5 X 20	6
9	73-60050-00	SHOCKMOUNT (Option)	4
10	62-60681-00	DECAL, CARRIER	1
11	62-60939-00	DECAL, LOGO	1
12	34-60044-00	SCREW, M6 X 20MM	4
13	34-60089-06	NUT, LOCK, M6	4
14	44-01145-03	FASTENER, 1/4 TURN, 6MM, DOOR LOCK	4
15	73-60069-00	GRILLE, CONDENSER FAN	1
16	42-01215-00	RING, FOAM (SEAL)	1

4 HOSES AND FITTINGS, CLAMPS AND O-RINGS



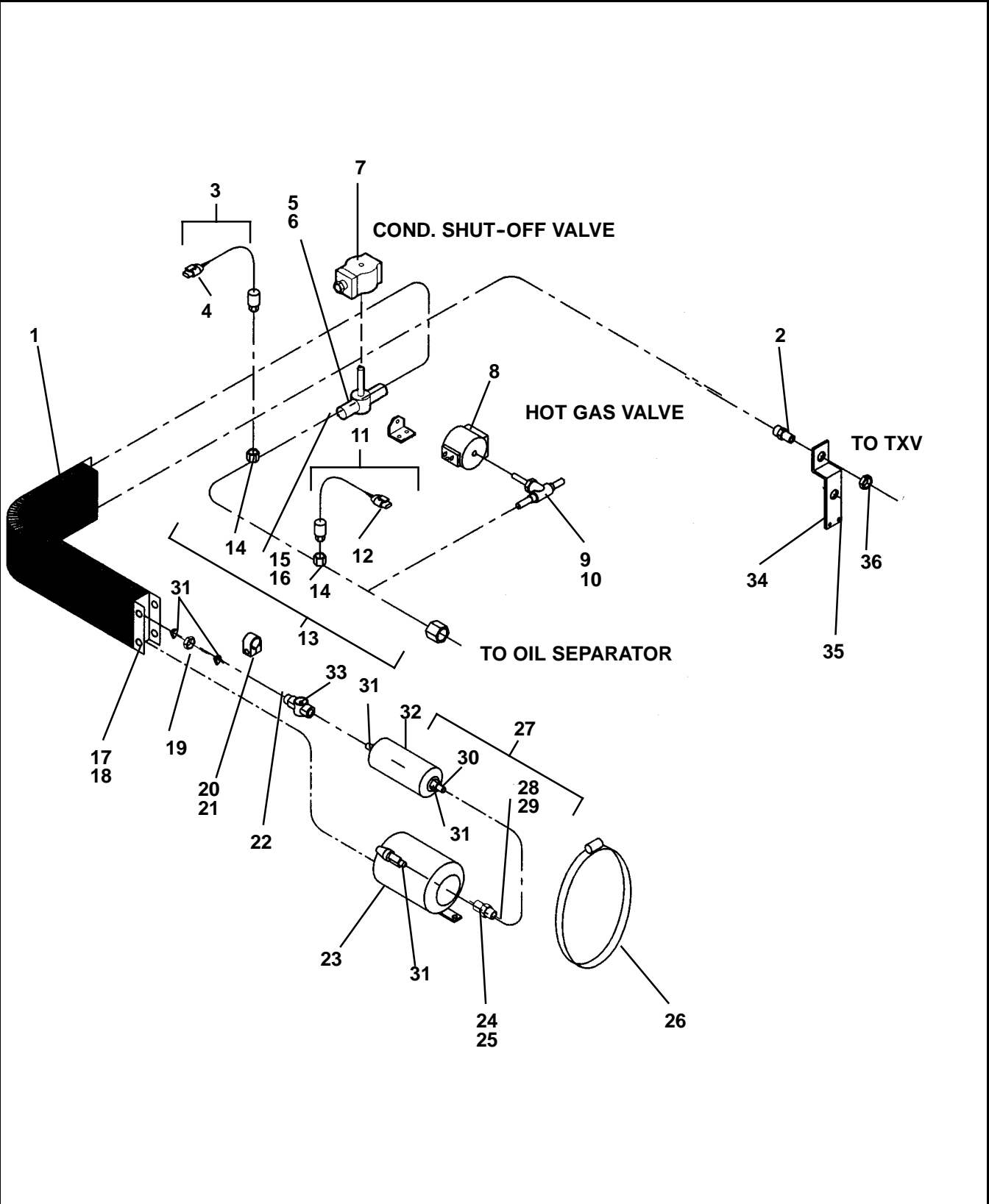
4.1 HOSES AND FITTINGS			
Item	Part Number	Description	Qty
1	58-60115-05F50	REFRIG. HOSE, #12 (16MM), RD, SUCTION (SOLD IN 50' ROLL ONLY)	A/R
2	58-60115-03F50	REFRIG. HOSE, #8 (10MM), RD. DISCH. (SOLD IN 50' ROLL ONLY)	A/R
3	40-60059-03	DISCHARGE CHARGING PORT	1
4	40-60058-05	SUCTION CHARGING PORT	1
5	58-60115-02F50	REFRIGERANT HOSE, #6 (8MM), ROAD OIL RETURN & LIQUID LINE (SOLD IN 50' ROLL ONLY)	A/R
6	40-60061-07	SUCTION ELBOW @ ROAD COMPRESSOR, 90°, FOR #12 HOSE	1
7	40-60061-03	DISCHARGE ELBOW @ ROAD COMPRESSOR, 90°, FOR #8 HOSE	1
	40-60060-03	ROAD DISCHARGE FITTING, STRAIGHT, FOR #8 HOSE (OPTION -- IF ENGINE COMPARTMENT SPACE PERMITS)	
8	40-60048-03	DISCHARGE ELBOW @ OIL SEPARATOR, 90°, FOR #8 HOSE	1
9	40-60048-01	OIL RETURN ELBOW @ OIL SEPARATOR, 90°, FOR #6 HOSE	1
10	40-60048-01	OIL RETURN ELBOW @ ROAD COMPRESSOR, 90°, FOR #6 HOSE	1
11	40-60056-01	OIL RETURN ADAPTOR @ RD COMPRESSOR, STRAIGHT	1
	40-01175-00	OIL RETURN ADAPTOR @ RD COMPRESSOR, SWIVEL (OPT. REQUIRES IT 22)	
12	40-60048-07	ROAD SUCTION ELBOW @ SUCTION HEADER, 90°, FOR #10-12 HOSE	1
	40-60060-07	ROAD SUCTION FITTING, STRAIGHT, FOR #12 HOSE (OPTION -- IF SPACE PERMITS)	
13	40-60048-04	STANDBY SUCTION ELBOW @ SUCTION HEADER, 90°, FOR #10 HOSE	1
14	40-60048-02	LIQUID LINE ELBOW @ FILTER/DRIER, 90°, FOR #6 HOSE	1
15	40-60049-02	HOT GAS ELBOW @ CONDENSER, 45°, FOR #6 HOSE	1
16	40-60049-02	HOT GAS ELBOW @ EVAPORATOR, 45°, FOR #6 HOSE	1
17	40-60061-04	SUCTION ELBOW @ STANDBY COMPRESSOR, 90°, FOR #10 HOSE	1
18	58-60115-04F50	REFRIG. HOSE, #10 (13MM), STANDBY SUCTION (SOLD IN 50' ROLL)	A/R
19	40-60103-00	LIQUID LINE ELBOW, TEE FITTING @ TXV, 90°, FOR #6 HOSE	1
20	40-60048-03	ELBOW, 90°, @ DISCHARGE VALVE, FOR #8 HOSE	1
21	40-60061-03	ELBOW, 90°, @ STANDBY COMPRESSOR, FOR #8 HOSE	1
22	40-60047-01	FITTING, HOSE, STRAIGHT, #6	1
23	12-00507-00	KLIXON, DISCHARGE LINE (BPT)	1

4.2 QUICK-CLICK REFRIGERANT HOSE CLAMPS FOR FITTINGS			
Item	Part Number	Description	Qty
	34-60019-05	CLAMP, QUICK-CLICK, #12 HOSE	6
	34-60019-04	CLAMP, QUICK-CLICK, #10 HOSE	2
	34-60019-03	CLAMP, QUICK-CLICK, #8 HOSE	4
	34-60019-02	CLAMP, QUICK-CLICK, #6 HOSE	6

4.3 O-RINGS			
Item	Part Number	Description	Qty
A	42-00243-09	O-RING, .364 ID X .070 THK, #6 ORS	7
B	42-00243-04	O-RING, .489 ID X .070 THK, #8 ORS	4
C	42-00243-10	O-RING, .301 ID X .070 THK, #4 ORS	4
D	42-00243-03	O-RING, .614 ID X .070 THK, #10 ORS	2
E	42-00243-13	O-RING, .551 ID X .070 THK, #10 PILOT	2
F	42-00243-12	O-RING, .4264 ID X .070 THK, #8 PILOT	2

5 CONDENSER

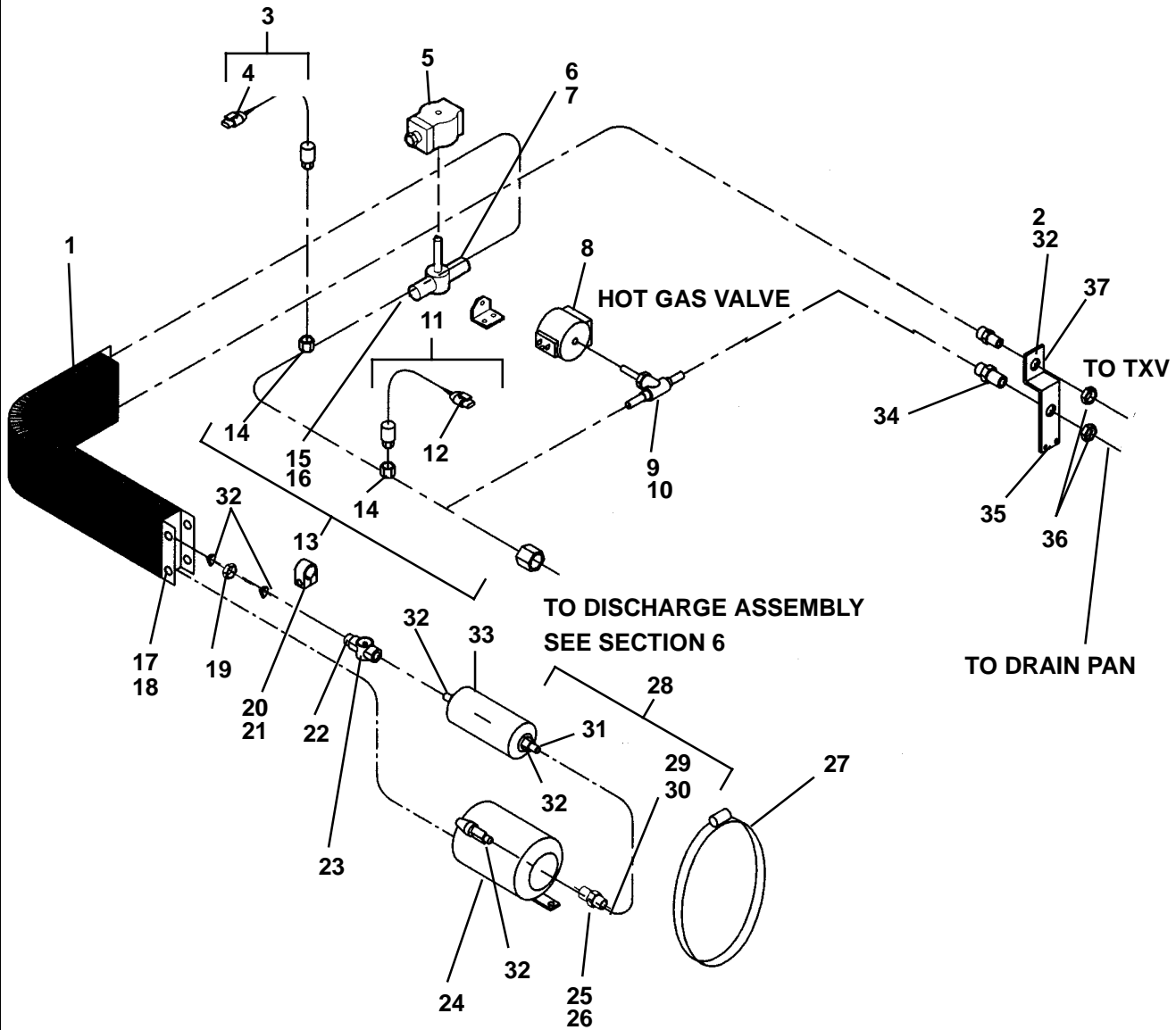
5.1 CONDENSER - ROAD ONLY VERSION



5.1 CONDENSER - ROAD ONLY VERSION

Item	Part Number	Description	Qty
1	08-60059-01	CONDENSER COIL - INCLUDES:	1
2	40-60007-13	FITTING, ORFS, #6 X 3/8 ODS	1
3	12-60032-00	SWITCH, N.C. (RED) HIGH PRESSURE, INCLUDES:	1
4	22-50078-01SV	CONNECTOR 2 WAYS (MATES WITH 22-50078-02SV)	1
5	14-00332-00	VALVE, SOLENOID, CONDENSER SHUT-OFF, 1/2 ODF-1/2 ODM	1
6	14-00332-10	REPAIR KIT, CONDENSER SHUTOFF VALVE	1
7	22-60268-00	COIL, CONDENSER SHUTOFF VALVE	1
8	22-60590-00	COIL, HOT GAS VALVE	1
9	14-60062-06	VALVE, HOT GAS, 3/8" ODF X 3/8" ORFS	1
10	14-60062-10	REPAIR KIT, HOT GAS VALVE	1
11	12-60032-01	SWITCH, N.O., (BLACK) FAN CYCLING, INCLUDES:	1
12	22-50078-02SV	CONNECTOR 2 WAYS (MATES WITH 22-50078-01SV)	1
13	81-60589-00	DISCHARGE LINE ASSEMBLY	1
14	40-01124-00	BODY, SCHRADER VALVE (W/ CORE & CAP)	2
15	40-60008-03	SLEEVE, ORFS, 1/2" TUBE (USE 42-00243-04 O-RING)	1
16	40-60009-03	NUT, ORFS	1
17	34-60000-16	SCREW, MACH HXHD M6 X 16MM	4
18	34-60095-45	WASHER, LOCK M5	4
19	40-60009-02	NUT, ORS, #6	2
20	44-60010-01	CLAMP, TUBE, 3/8" DIAMETER	1
21	34-01152-35	SCREW, CAP HXHD M6 X 35MM	1
22	40-60008-02	SLEEVE, ORS, #6	1
23	65-60029-00	RECEIVER ASSEMBLY	1
24	14-00286-00	CHECK VALVE, 3/8 ORFS M/F	1
25	40-60018-02	SLEEVE, ORS, #6	1
26	44-60009-00	CLAMP (RECEIVER/DRIER)	1
27	81-60590-00	TUBE ASSY, RECEIVER TO DRIER - INCLUDES:	1
28	40-60008-02	SLEEVE, ORS, #6 (USE 42-00243-09 O-RING)	1
29	40-60009-02	NUT, ORS, #6	1
30	40-60007-02	CONNECTOR, 3/8" ODF	1
31	42-00243-09	O-RING, .364 ID X .070 THK, #6 ORS	3
32	14-60018-04	FILTER DRIER, 3/8" PRIOR TO S/N PB234079 - INCLUDES:	1
	14-00326-04	FILTER DRIER, 3/8 ORS: STARTING WITH S/N PB234079 - INCLUDES:	
31	42-00243-09	O-RING, .364 ID X .070 THK, #6 ORS	2
33	14-01092-06	SIGHT GLASS, 3/8 ORS	1
34	68-61996-00	BRACKET, REFRIGERANT LINE SUPPORT	1
35	34-60068-20	SCREW, M6 X 20MM	4
36	40-60102-00	NUT, 11/16"-16	2

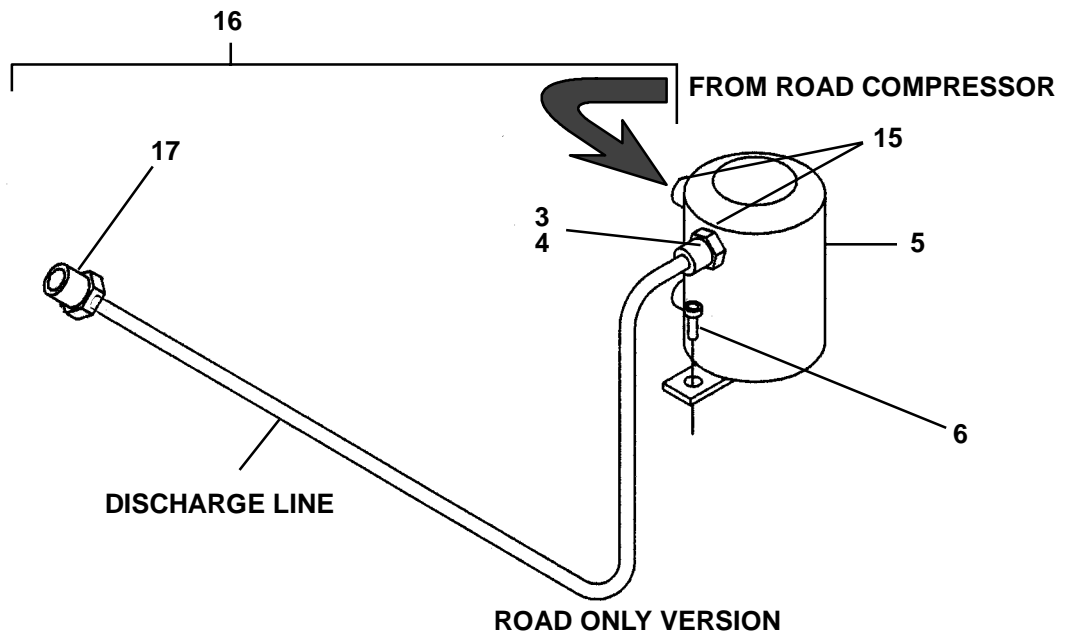
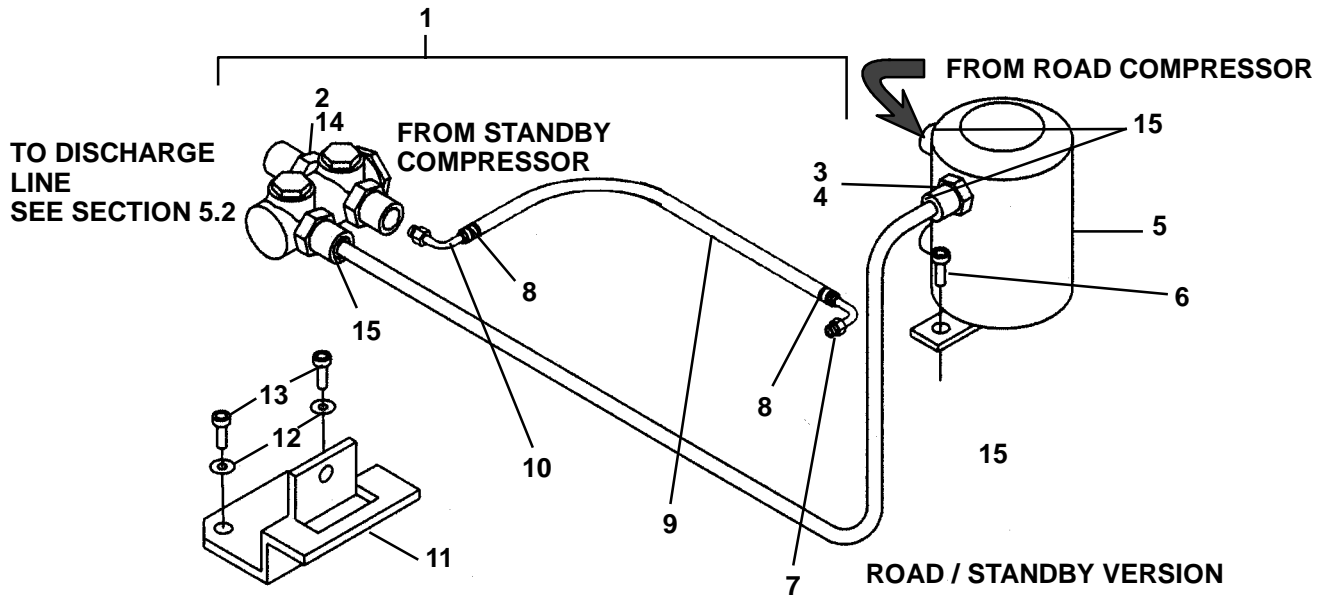
5.2 CONDENSER - ROAD/STANDBY VERSION



5.2 CONDENSER - ROAD/STANDBY VERSION

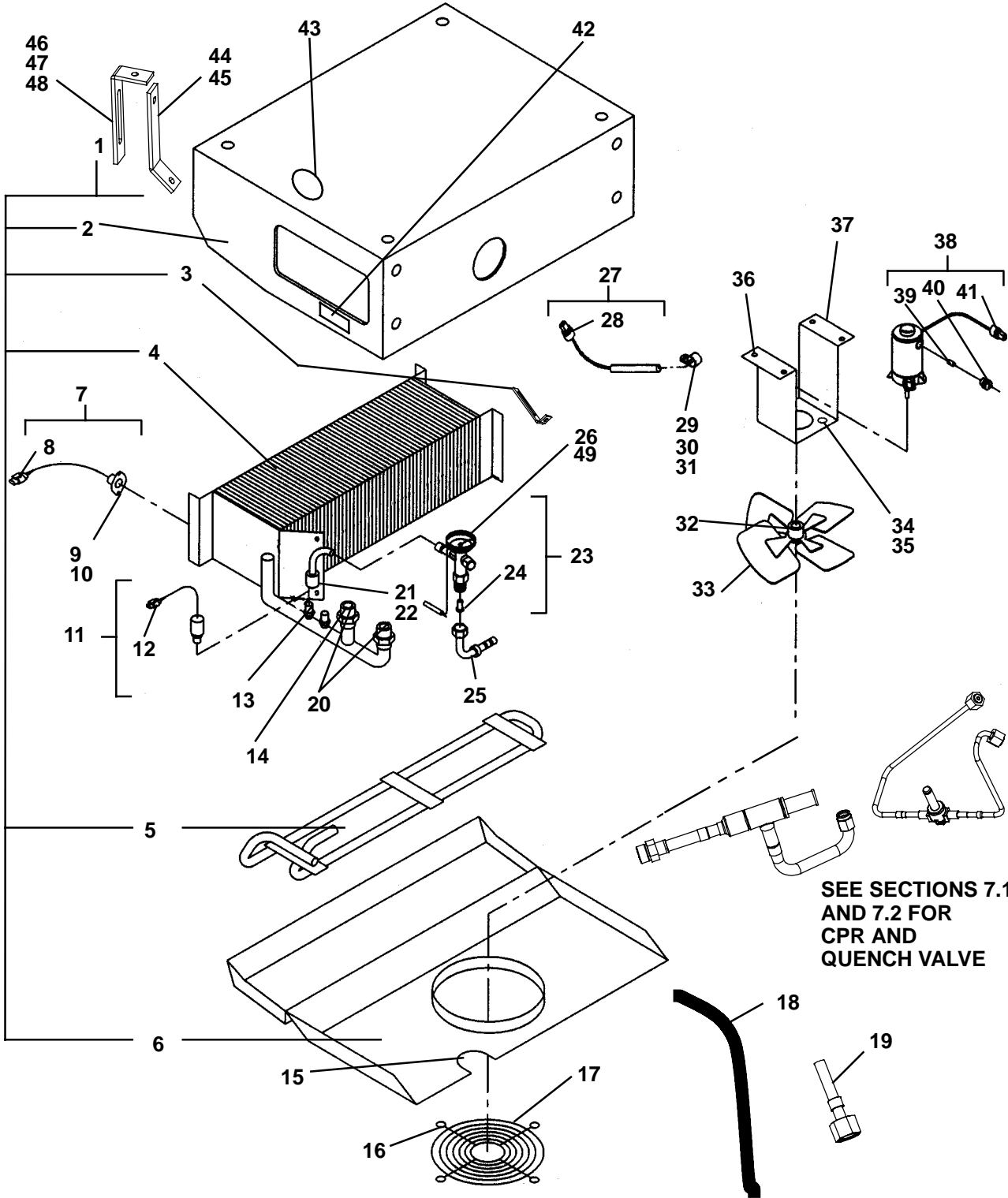
Item	Part Number	Description	Qty
1	08-60059-01	CONDENSER COIL - INCLUDES:	1
2	40-60007-13	FITTING, #6	1
3	12-60032-00	SWITCH, NC, (RED) HIGH PRESSURE, INCLUDES:	1
4	22-50078-01SV	CONNECTOR 2 WAYS (MATES WITH 22-50078-02SV)	1
5	22-60268-00	COIL, CONDENSER SHUTOFF VALVE, 12V	1
6	14-00332-00	VALVE, CONDENSER SHUTOFF 1/2 ODF-1/2 ODM	1
7	14-00332-10	REPAIR KIT, CONDENSER SHUTOFF VALVE	1
8	22-60590-00	COIL, HOT GAS VALVE	1
9	14-00333-00	VALVE, HOT GAS, 1/2"	1
10	14-60062-10	REPAIR KIT, HOT GAS VALVE	1
11	12-60032-01	SWITCH, NO, (BLACK) FAN CYCLING, INCLUDES:	1
12	22-50078-02SV	CONNECTOR 2 WAYS (MATES WITH 22-50078-01SV)	1
13	81-60588-00	DISCHARGE LINE ASSEMBLY, ROAD/STANDBY UNITS, INCLUDES:	1
14	40-60159-00	FITTING, 1/4" SCHRADER VALVE	2
15	40-60008-03	SLEEVE, ORFS, 1/2" TUBE (USE 42-00243-04 O-RING)	1
16	40-60009-03	NUT, ORFS	1
17	34-60000-16	SCREW, MACH HXHD M6 X 16MM	4
18	34-60095-45	WASHER, LOCK, M5	4
19	40-60009-02	NUT, ORS, 3/8" OD TUBE	2
20	44-60010-01	CLAMP,TUBE, 3/8" DIA	1
21	34-01152-35	SCREW, CAP HXHD M6 X 35MM	1
22	40-60008-02	SLEEVE, ORS, 3/8" OD TUBE	1
23	14-01092-06	SIGHT GLASS, 3/8 ORS	1
24	65-60029-00	RECEIVER ASSEMBLY	1
25	14-00286-00	CHECK VALVE, 3/8 ORFS M/F	1
26	40-60018-02	SLEEVE, ORS MOD 6	1
27	44-60009-00	CLAMP (RECEIVER/DRIER)	1
28	81-60590-00	TUBE ASSEMBLY, RECEIVER TO DRIER - INCLUDES:	1
29	40-60008-02	SLEEVE, ORFS, 3/8" TUBE (USE 42-00243-09 O-RING)	1
30	40-60009-02	NUT, ORFS	1
31	40-60007-02	CONNECTOR, 3/8" ODF	1
32	42-00243-09	O-RING, .364 ID X .070 THK, #6 ORS	5
33	14-60018-04	FILTER DRIER, 3/8" PRIOR TO S/N PB234079 - INCLUDES:	1
	14-00326-04	FILTER DRIER, 3/8 ORS STARTING WITH S/N PB234079 - INCLUDES:	
32	42-00243-09	O-RING, .364 ID X .070 THK, #6 ORS	2
34	40-60007-12	FITTING, ORFS, #6 X 11/16-16	1
35	34-60068-20	SCREW, M6 X 20MM	4
36	40-60102-00	NUT, 11/16"-16	2
37	68-61996-00	BRACKET, REFRIGERANT LINE SUPPORT	1

6 DISCHARGE ASSY/OIL SEPARATOR



6 DISCHARGE ASSEMBLY/OIL SEPARATOR			
Item	Part Number	Description	Qty
1	81-60096-00	VALVE ASSEMBLY DISCHARGE (ROAD/STANDBY) - INCLUDES:	1
2	14-60060-00	VALVE	1
3	40-60008-03	SLEEVE, ORFS, 1/2"OD TUBE (USE 42-00243-04 O-RING)	1
4	40-60009-03	NUT, ORFS, #8	1
5	14-60048-00	OIL SEPARATOR	1
6	34-60068-20	SCREW, M6 X 20MM	2
7	40-60286-02	ELBOW, 90_, 1/2" IDN 10.7	1
8	34-60019-03	CLAMP, QUICK CLICK, #8 HOSE	2
9	58-60745-02	HOSE, REFRIGERANT, IDN 10.7 15M ROLL	A/R
10	40-60289-02	ELBOW, 90_, 1/2" IDN 10.7	1
11	68-60349-00	BRACKET, DISCHARGE VALVE, ROAD/ STANDBY UNITS ONLY	1
12	34-60095-27	WASHER, LOCK, M6	3
13	34-01152-16	SCREW, CAP HXHD M6 X 16MM	3
14	76-60624-01	REPAIR KIT, DISCHARGE VALVE	1
15	42-00243-04	O-RING, .489 ID X .070 THK, #8 ORS	2/3
16	81-68006-00	TUBE, DISCHARGE - INCLUDES:	1
17	40-60007-03	CONNECTOR, ORS, #8	1
3	40-60008-03	SLEEVE, ORS, #8	1
4	40-60009-03	NUT, HEX, ORS, #8	1

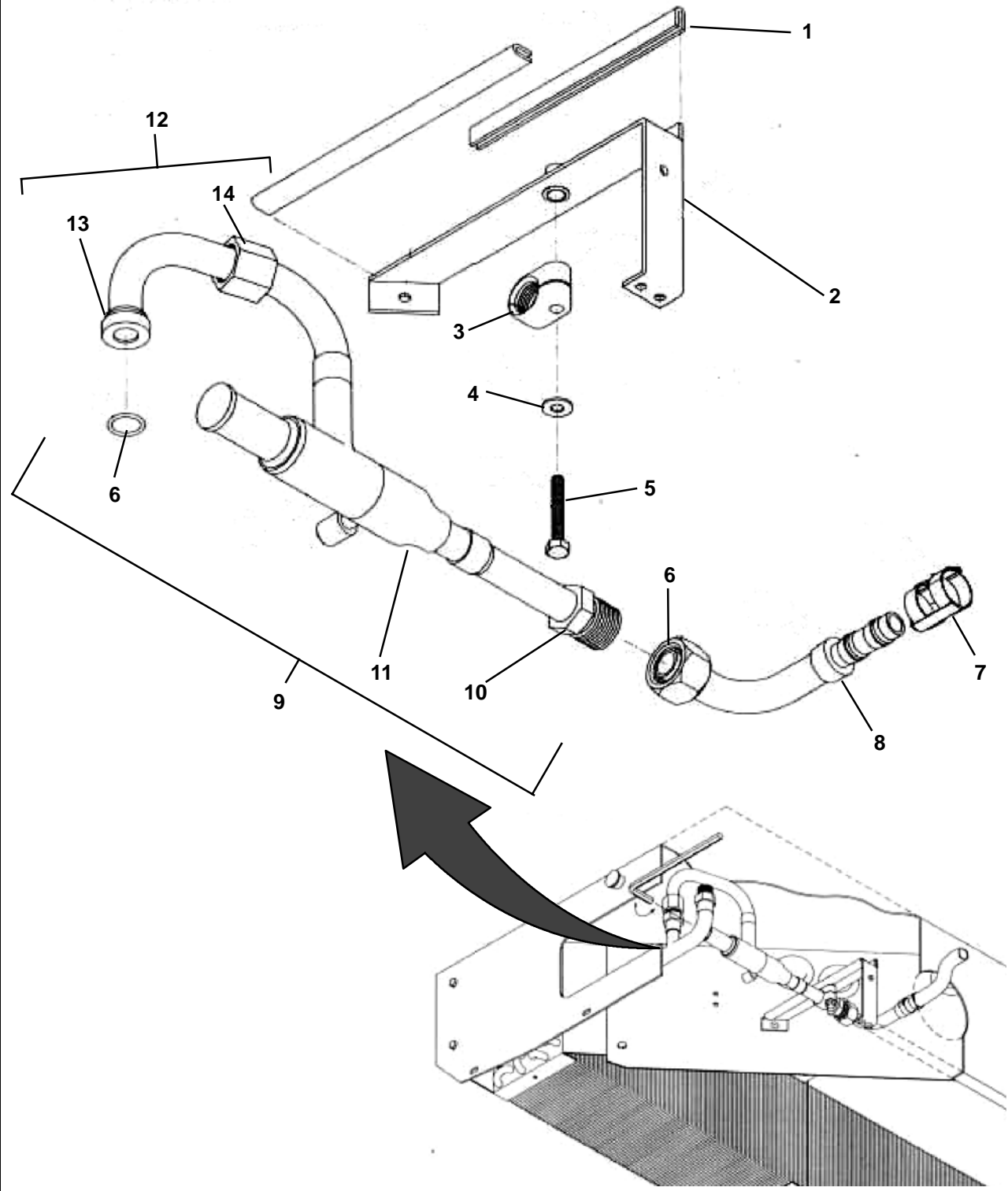
7 EVAPORATOR



Item	Part Number	Description	Qty
1	79-60078-00	EVAPORATOR ASSEMBLY - INCLUDES:	1
2	86-60416-00	HOUSING, EVAPORATOR, TOP & SIDES	1
3	68-60314-00	BRACKET, TXV	1
4	NSS	COIL, EVAPORATOR	1

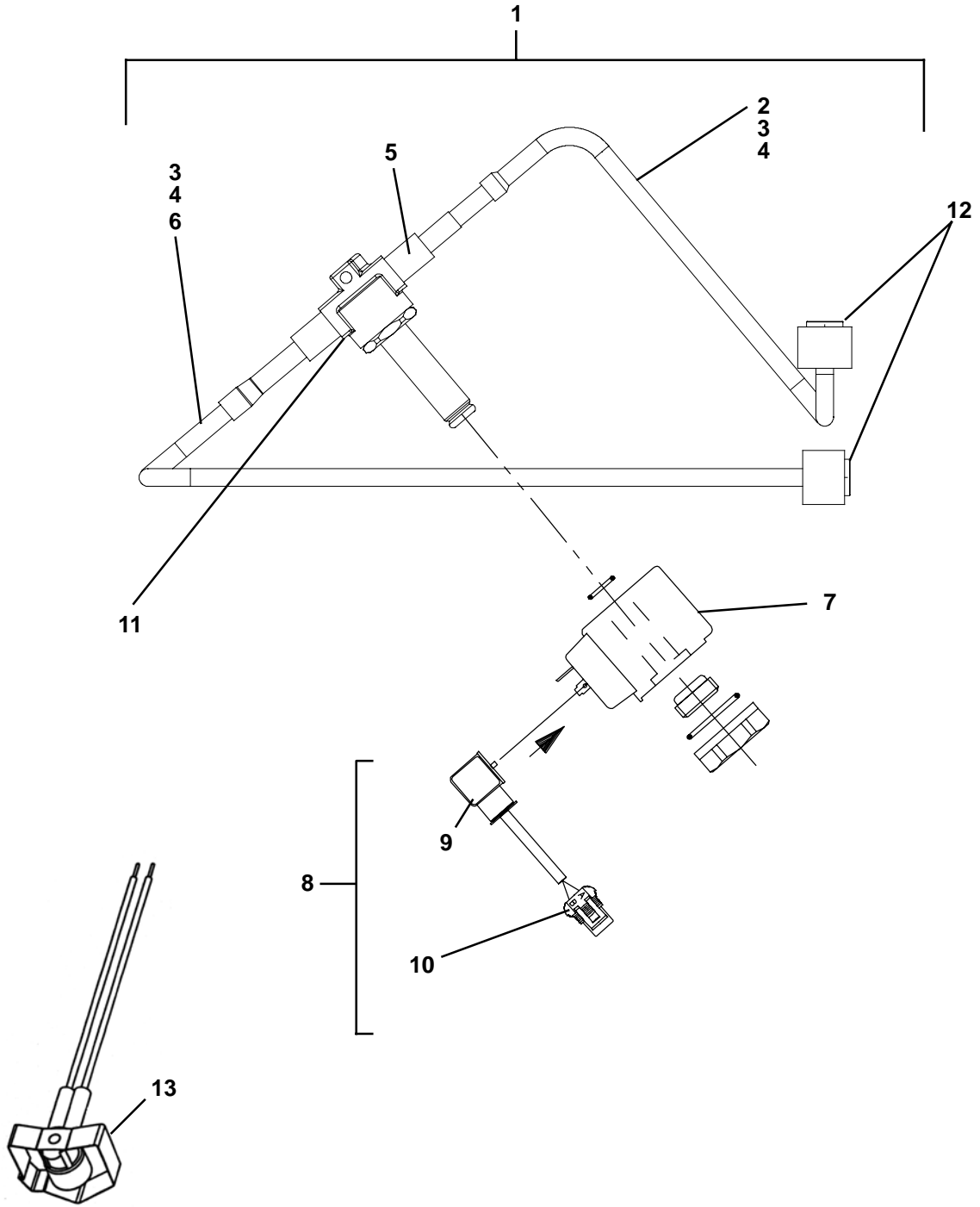
7 EVAPORATOR			
Item	Part Number	Description	Qty
5	56-60492-00	TUBE ASSEMBLY, DEFROST	1
6	86-60415-00	PAN ASSEMBLY, DEFROST	1
7	14-60055-00	THERMOSTAT, DEFROST, INCLUDES:	1
8	22-50078-01SV	CONNECTOR 2 WAYS (MATES WITH 22-50078-02SV)	1
9	34-01197-10	SCREW, CAP HXHD M4 X 10MM (0.394)	2
10	34-60095-24	WASHER, LOCK, M4	2
11	12-60015-01	PRESSURE SWITCH, INCLUDES:	1
12	22-02392-00SV	CONNECTOR 2 WAYS (MATES WITH 22-01585-00SV)	1
13	42-00243-10	O-RING, .301 ID X .070 THK, #4 ORS	1
14	40-60010-04	PLUG, FEMALE 5/8"	1
15	42-01164-00	SEAL, EDGE, SELF-GRIP	A/R
16	34-60068-20	SCREW, M6 X 20MM	7
17	73-60026-00	GRILLE, EVAPORATOR	1
18	58-01286-01	HOSE, DRAIN WATER, 20 FT ROLL	A/R
19	40-60047-02	FITTING, STRAIGHT, #6 HOSE, 3/8" ORS	1
20	42-00243-03	O-RING, .614 ID X .070 THK, #10 ORS	2
21	40-60008-01	SLEEVE, ORFS (FOR EQUALIZER LINE) (USE 42-00243-10 O-RING)	1
22	40-60009-01	NUT, ORFS (FOR EQUALIZER LINE)	1
23	14-60050-02	EXPANSION VALVE, TXV, INCLUDES:	1
24	14-60009-02	ORIFICE, TXV	1
25	40-60103-00	FITTING, 90°, #10 HOSE, ORFS	1
26	58-01284-00	TUBE, HEAT SHRINK	1
27	22-60167-01	SENSOR ASSEMBLY, THERMISTOR, RETURN AIR TEMP. - INCLUDES:	1
28	22-50078-01SV	CONNECTOR 2 WAYS (MATES WITH 22-50078-02SV)	1
29	34-00373-50	CLAMP, TUBE, .19 DIA	1
30	34-60000-16	SCREW, CAP HXHD M5 X 16MM	1
31	34-60089-05	NUT, LOCK M5	1
32	58-00836-14	SPACER, 20 X 8.2 X 12	1
33	38-60018-00	FAN, EVAPORATOR	1
34	34-60001-20	SCREW, CAP HXHD M7 X 20MM	3
35	34-60095-29	WASHER, LOCK M7	3
36	34-60089-06	NUT, LOCK M6	4
37	86-60590-00	BRACKET ASSEMBLY, FAN MOTOR	1
38	54-60006-19	MOTOR, 12VDC, EVAPORATOR FAN - INCLUDES:	1
39	54-60006-30SV	BRUSH AND BRUSH HOLDER CAP	2
40	54-60006-31	CAP, BRUSH HOLDER	2
41	22-01613-08SK	CONNECTOR, 4 WAY (MATES W/ 22-01613-10SK)	1
42	62-03797-13	LABEL, R-134a	1
43	58-60302-07	GROMMET, 36MM ID, 46MM PANEL HOLE	3
44	68-60555-00	BRACKET, EVAPORATOR MOUNTING, TOP	1
45	34-60147-00	SCREW, CAP HXHD M12 X 45	4
46	68-60556-00	BRACKET, EVAPORATOR MOUNTING, BOTTOM	1
47	34-01152-20	SCREW, CAP HXHD M6 X 20MM	1
48	34-60095-27	WASHER, LOCK, M6	1
49	42-00032-00	INSULATION, PRESTITE (30 FOOT ROLL)	A/R

7.1 CPR INSTALLATION (115V ONLY)



7.1 CPR INSTALLATION (115V ONLY)			
Item	Part Number	Description	Qty
1	58-00523-00	EDGE PROTECTOR	A/R
2	68-68003-00	BRACKET, CPR SUPPORT	1
3	34-00373-06	CLAMP, CUSHION, 5/8" TUBE	1
4	34-60095-27	WASHER, M6 X 14	1
5	34-01152-20	BOLT, HEX, M6 X 20	1
6	42-00243-03	O-RING, .614 ID X .070 THK, #10 ORS	2
7	44-60129-03	CLAMP, IDN 12.7	1
8	40-60286-03	ELBOW, 90°, 5/8" IDN 12.7	1
9	81-68011-00	CPR VALVE ASSEMBLY - INCLUDES:	1
10	40-60007-04	FITTING, ORS, #10 X 5/8" TUBE	1
11	14-60014-00	VALVE, CPR	1
12	56-68016-00	TUBE ASSEMBLY, CPR INLET - INCLUDES:	1
13	40-60008-04	SLEEVE, ORFS, #10 X 5/8"	1
14	40-60009-04	NUT, ORFS, #10	1

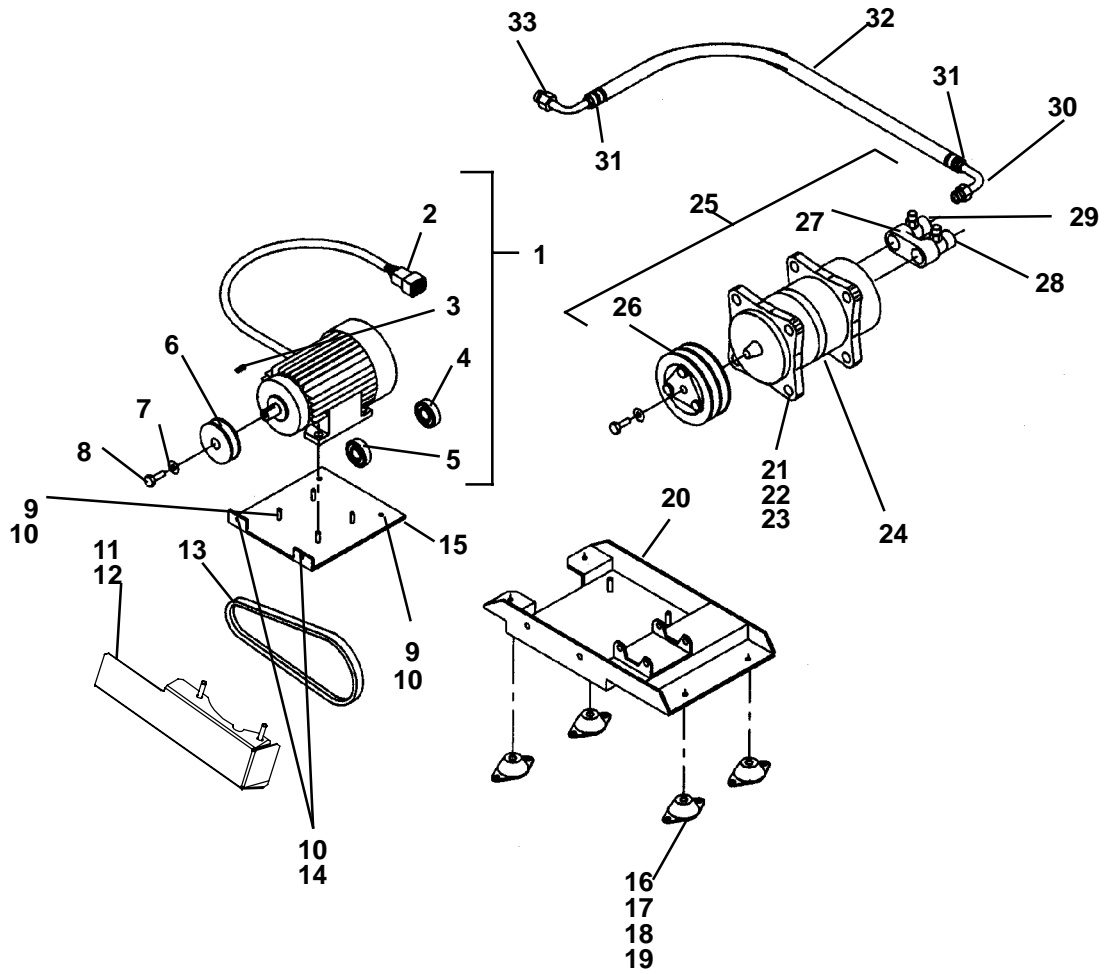
7.2 QUENCH VALVE ASSEMBLY



7.2 QUENCH VALVE ASSEMBLY

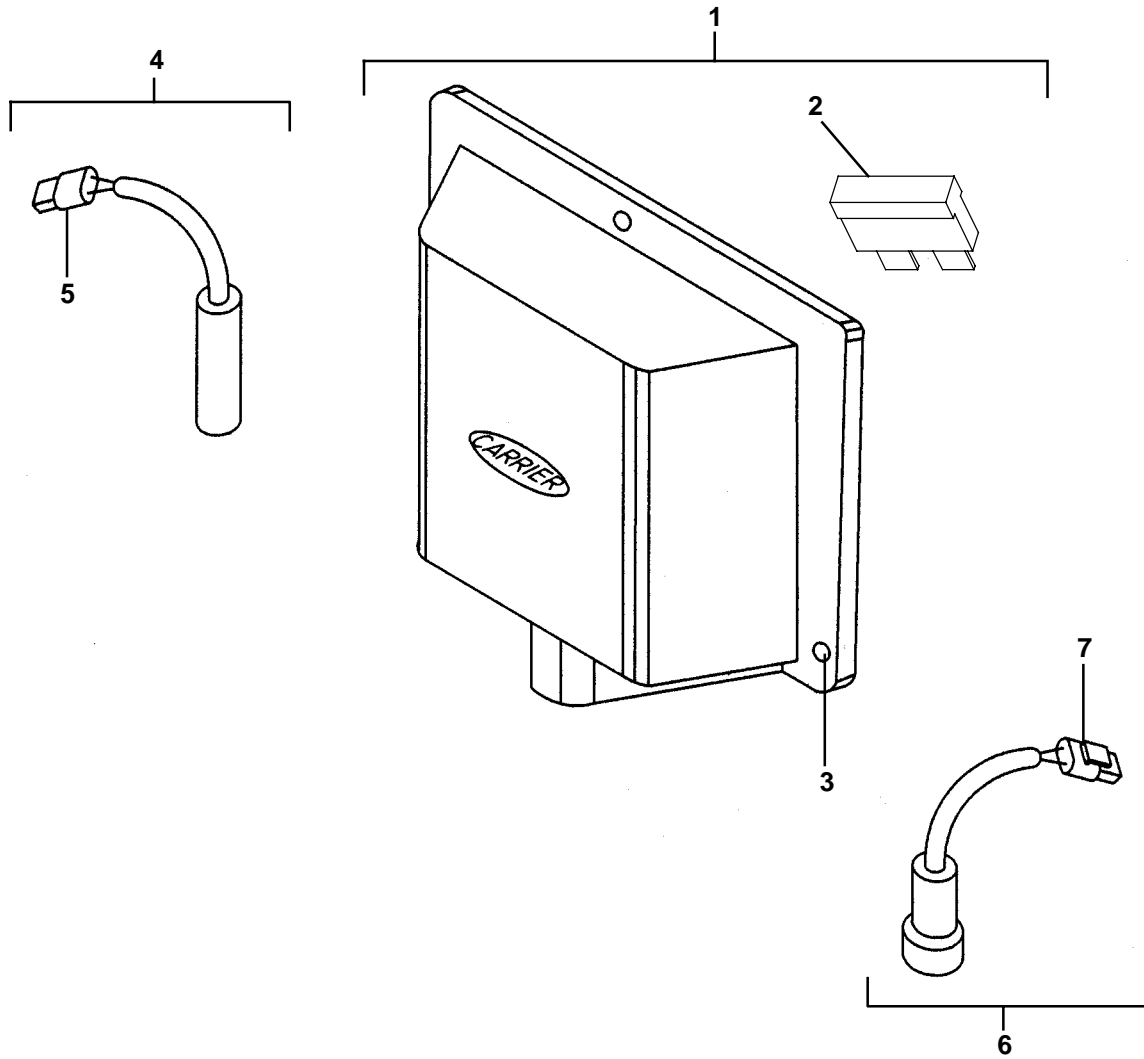
Item	Part Number	Description	Qty
1	NSA	VALVE ASSEMBLY - INCLUDES:	1
2	NSA	TUBE, COPPER 1/4" - INCLUDES:	1
3	40-60008-01	SLEEVE, ORS, 1/4 TUBE	1
4	40-60009-01	NUT, ORS	1
5	14-00329-00	VALVE, SOLENOID, INJECTION	1
6	NSA	TUBE, COPPER 1/4" - INCLUDES:	1
3	40-60008-01	SLEEVE, ORS, 1/4 TUBE	1
4	40-60009-01	NUT, ORS	1
7	22-60405-00	COIL, 12V	1
8	22-60419-00	HARNESS, INJECTION VALVE, INCLUDES:	1
9	22-60068-00	CONNECTOR, SOLENOID VALVE	1
10	22-01585-00SV	CONNECTOR 2 WAYS (MATES WITH 22-02392-00SV)	1
11	14-00329-10	REPAIR KIT, SOLENOID VALVE	1
12	42-00243-10	O-RING, .301 ID X .070 THK, #4 ORS	2
13	12-00507-00	THERMOSTAT, QUENCH	1

8 POWER TRAY - STANDBY MOTOR/COMPRESSOR



8 POWER TRAY - STANDBY MOTOR/COMPRESSOR			
Item	Part Number	Description	Qty
1	54-60028-02	MOTOR, 1.5KW 230V - 3 - 60HZ - INCLUDES:	1
	54-60028-07	MOTOR, 1.5KW 230V - 1 - 60HZ - INCLUDES:	
	54-60028-09	MOTOR, 1.5KW 115V - 1 - 60HZ - INCLUDES:	
2	22-01613-22	CONNECTOR 8 WAYS (MATES WITH 22-01613-24)	1
3	34-60022-03	KEY, 8 X 7 X 12 MM	1
4	04-60008-22	BEARING, REAR	1
5	04-60008-27	BEARING, FRONT	1
6	50-60107-01	PULLEY, "A" GROOVE, STANDBY MOTOR	1
7	48-60145-54	SPACER, 8.5 X 4 X 30	1
8	34-00876-25	SCREW, CAP HXHD M8 X 25MM	1
9	34-00946-58	NUT, HEX M8	6
10	34-60085-08	WASHER, 8MM ID X 16 OD	8
11	86-61019-00	BELT GUARD	1
12	34-60089-06	NUT, LOCK M6	2
13	50-60198-02	V-BELT, "A" SECTION, COMP DRIVE	1
14	34-00876-16	SCREW, CAP HXHD M8 X 16MM	2
15	68-60269-00	BRACKET, MOTOR MOUNTING	1
16	34-01152-16	SCREW, CAP HXHD M6 X 16MM	8
17	34-60095-46	WASHER, LOCK M6	2
18	34-60084-06	WASHER, LOCK M6 X 10MM	8
19	73-60022-01	SHOCKMOUNT	4
20	86-60208-00	POWER TRAY	1
21	34-00945-10	WASHER, LOCK M10	2
22	34-60080-130	SCREW, HXHD HM10 X 130MM	2
23	48-60142-00	SPACER, STEEL TUBE, M10 ID X 83.3MM LONG	2
24	40-60071-00	FITTING, OIL RETURN	1
25	18-00085-02	COMPRESSOR, STANDBUY OR ROAD, 12V, 2-A GR, 135MM DIAMETER- INCLUDES:	1
26	50-60135-00	CLUTCH, 12V	1
27	40-60218-00	FLANGE, COMPRESSOR, W/ CHARGING PORTS	1
28	42-00243-13	O-RING, .551 ID X .070 THK, #6 ORS	1
29	42-00243-04	O-RING, .489 ID X .070 THK, #8 ORS	1
30	40-60286-02	ELBOW, 1/2" IDN 10.7	1
31	40-60129-02	CLAMP, IDN 10.7	2
32	58-60745-02	HOSE, REFRIGERANT, IDN 10.7, 15M ROLL	A/R
33	40-60289-02	ELBOW, 90_, ORS, 1/2" IDN 10.7	1

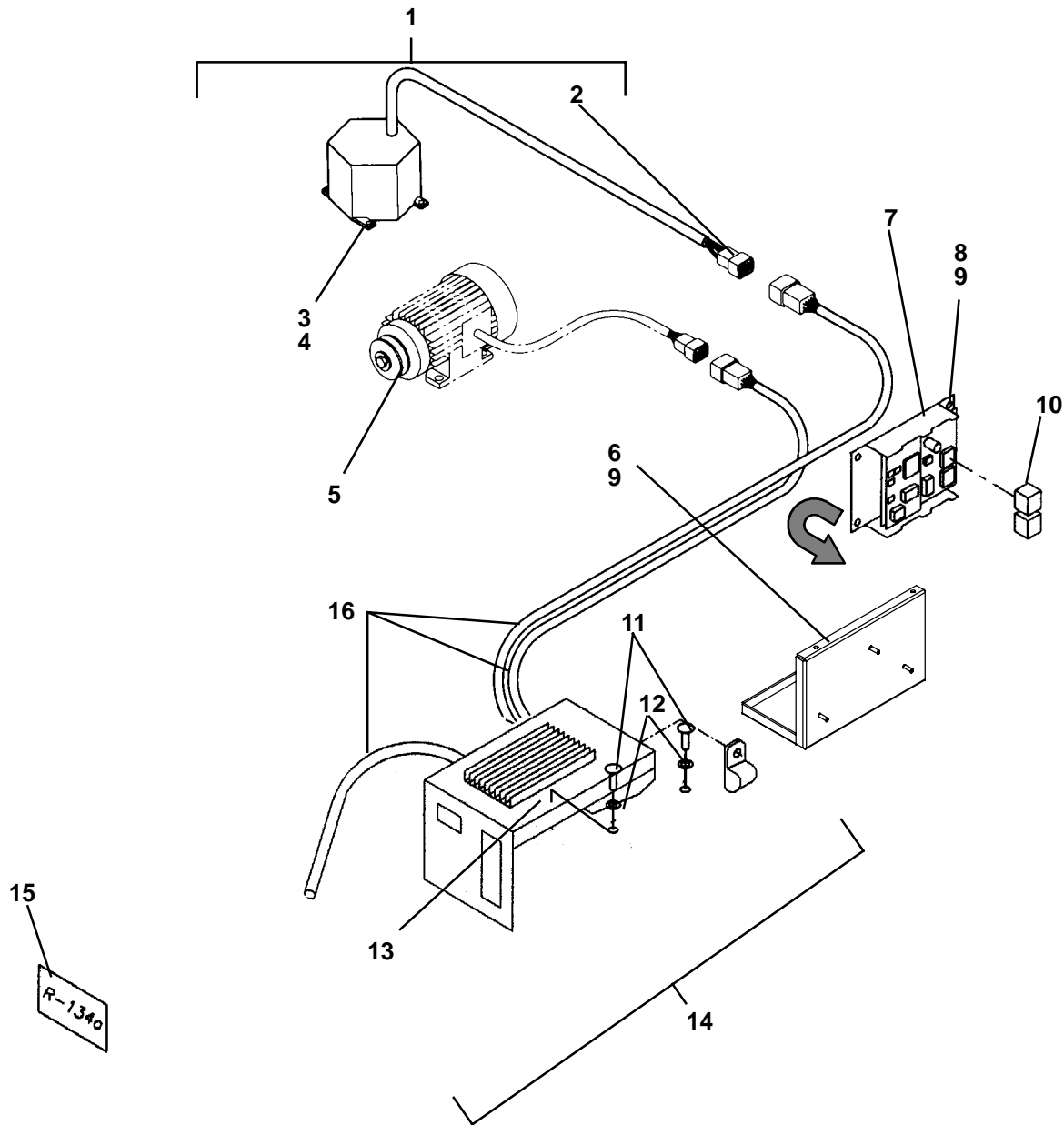
9 ELECTRICAL
9.1 ELECTRICAL - ROAD ONLY



9.1 ELECTRICAL - ROAD ONLY

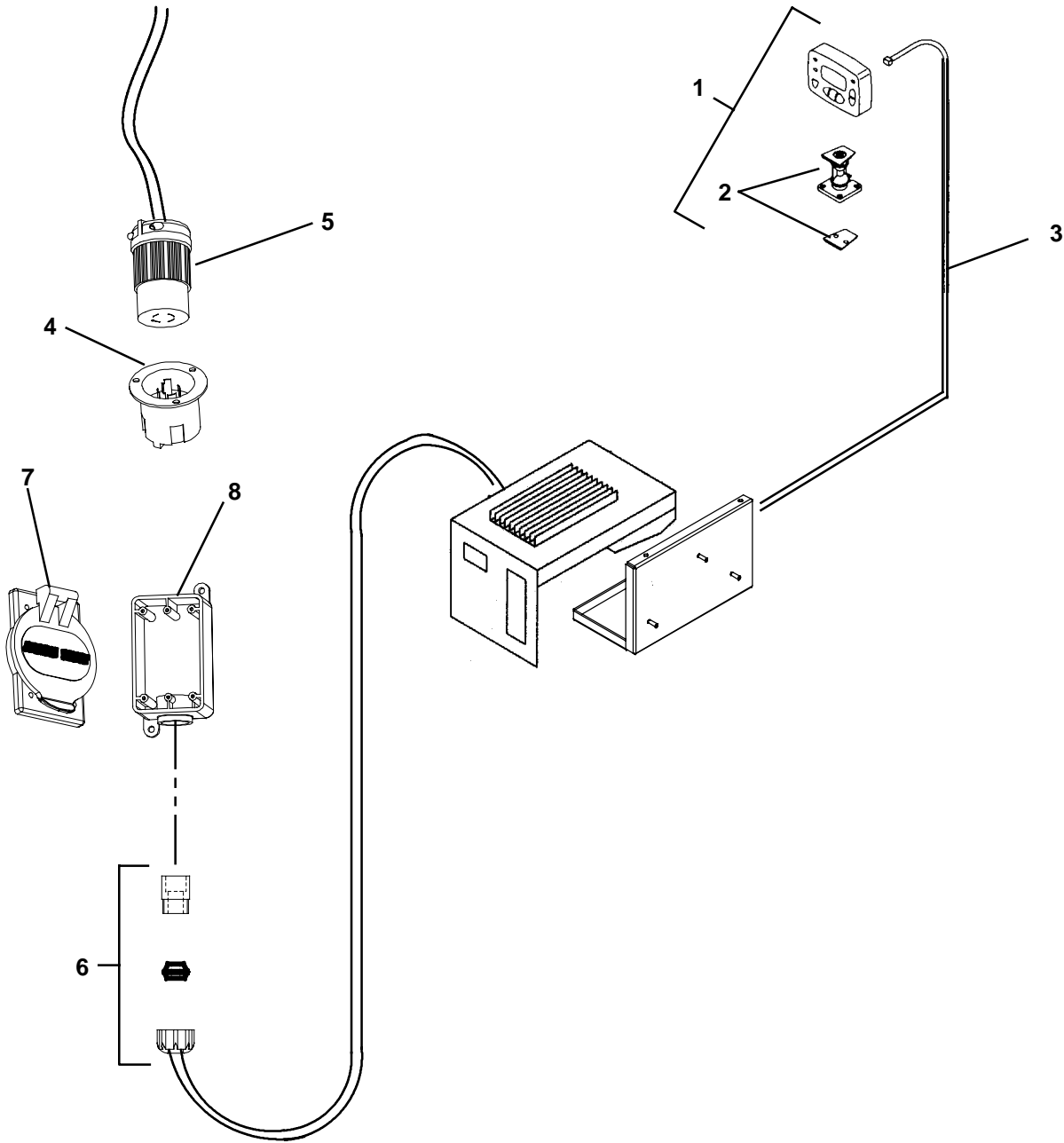
Item	Part Number	Description	Qty
1	12-00511-52	LOGIC BOARD - INCLUDES:	1
2	22-02336-05	FUSE, 25A	1
3	34-60089-06	NUT, LOCK M6	3
4	12-00512-21	SENSOR, THERMISTOR - INCLUDES:	1
5	22-60275-12	CONNECTOR 3 WAYS (MATES WITH 22-60275-22)	1
6	12-60032-00	SWITCH, NC, (RED) HIGH PRESSURE, INCLUDES:	1
7	22-50078-01SV	CONNECTOR 2 WAYS (MATES WITH 22-50078-02SV)	1

9.2 ELECTRICAL - ROAD/STANDBY



9.2 ELECTRICAL - ROAD/STANDBY			
Item	Part Number	Description	Qty
1	10-00383-04	TRANSFORMER, 230/1/60 & 230/3/60 UNITS ONLY - INCLUDES:	1
	10-00383-01	TRANSFORMER, 115/1/60 UNITS ONLY - INCLUDES:	
2	22-01613-25	CONNECTOR (MATES WITH 22-01613-23)	1
3	34-60000-16	SCREW, MACH HXHD M5 X 16MM	4
4	34-60095-25	WASHER, LOCK M5 X 12MM	4
5	54-60028-02	MOTOR, 1.5KW 230V - 3 - 60HZ - SEE SECTION 8	1
	54-60028-07	MOTOR, 1.5KW 230V - 1 - 60HZ - SEE SECTION 8	
	54-60028-09	MOTOR, 1.5KW 115V - 1 - 60HZ - SEE SECTION 8	
6	86-60318-00	BOX ASSEMBLY, LOWER BOX	1
7	12-60029-21	LOGIC MODULE, ROAD/STANDBY UNITS	1
8	34-60095-24	WASHER, LOCK, M4	1
9	34-60089-05	NUT, LOCK M5	8
10	10-00286-04	RELAY, 12VDC	2
11	44-01145-03	FASTENER, 1/4 TURN, 6MM, DOOR LOCK	2
12	44-01145-13	WASHER, INTERNAL STAR, DOOR LOCK, 6MM	2
13	62-60291-00	DECAL, RELAY, POWER MODULE	1
14	91-60303-40	CONTROL BOX ASSY, 115V/1/60HZ UNITS ONLY - SEE SECTION 10	1
	91-60303-30	CONTROL BOX ASSY, 230V/1/60HZ UNITS ONLY - SEE SECTION 10	
	91-60303-10	CONTROL BOX ASSY, 230V/3/60HZ UNITS ONLY - SEE SECTION 10	
15	62-03797-13	LABEL, R-134a	1
16	22-60173-04	HARNESS, UNIT, 230/1/60 UNITS ONLY - SEE SECTION 9.5	1
	22-60173-03	HARNESS, UNIT, 115/1/60 & 230/3/60 UNITS ONLY - SEE SECTION 9.5	

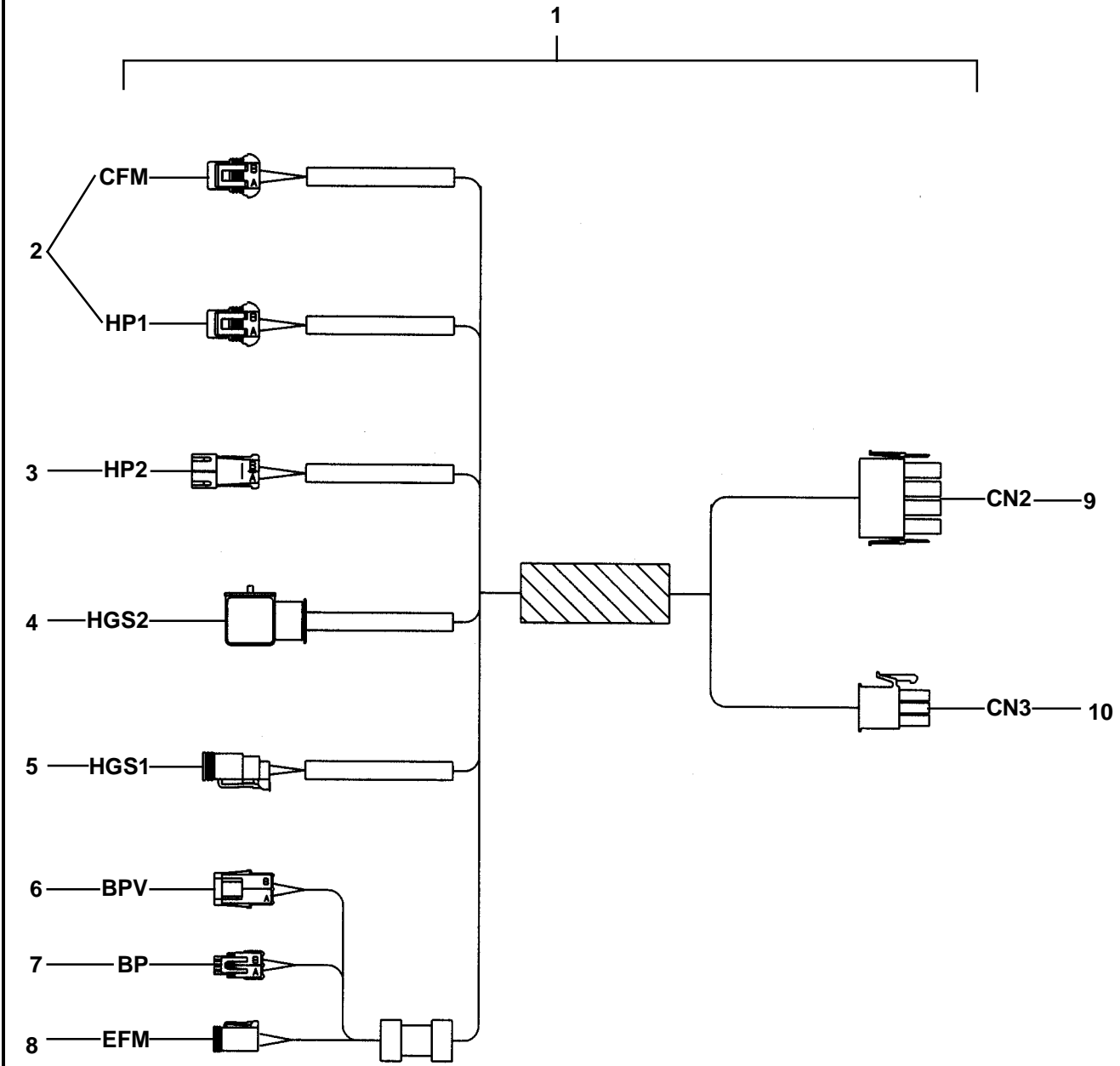
9.3 ELECTRICAL - CAB COMMAND AND STANDBY POWER BOX/PLUG



9.3 ELECTRICAL - CAB COMMAND AND STANDBY POWER BOX/PLUG

Item	Part Number	Description	Qty
1	79-60409-00	COMMAND, CAB - INCLUDES:	1
2	22-60166-00	BRACKET, CAB COMMAND	1
3	22-60168-04	CABLE, CAB COMMAND, 10 METER (32.8 FT.)	1
	22-60168-01	CABLE, CAB COMMAND, 13 METER (42.7 FT.)	
	22-60168-02	CABLE, CAB COMMAND, 16 METER (52.5 FT.)	
4	22-60695-01	RECEPTACLE ASSEMBLY, 30A, 115/1/60 AND 230/1/60 UNITS	1
	22-60697-00	RECEPTACLE ASSEMBLY, 30A, 230/3/60 UNITS	
5	22-60694-01	PLUG, POWER, 30A, 115/1/60 AND 230/1/60 UNITS	1
	22-60696-00	PLUG, POWER, 20A, 230/3/60 UNITS	
6	58-60605-00	FITTING, CABLE NUT AND GROMMET, STANDBY POWER BOX	1
7	58-60606-00	COVER, RECEPTACLE	1
8	58-60604-00	BOX, POWER RECEPTACLE	1

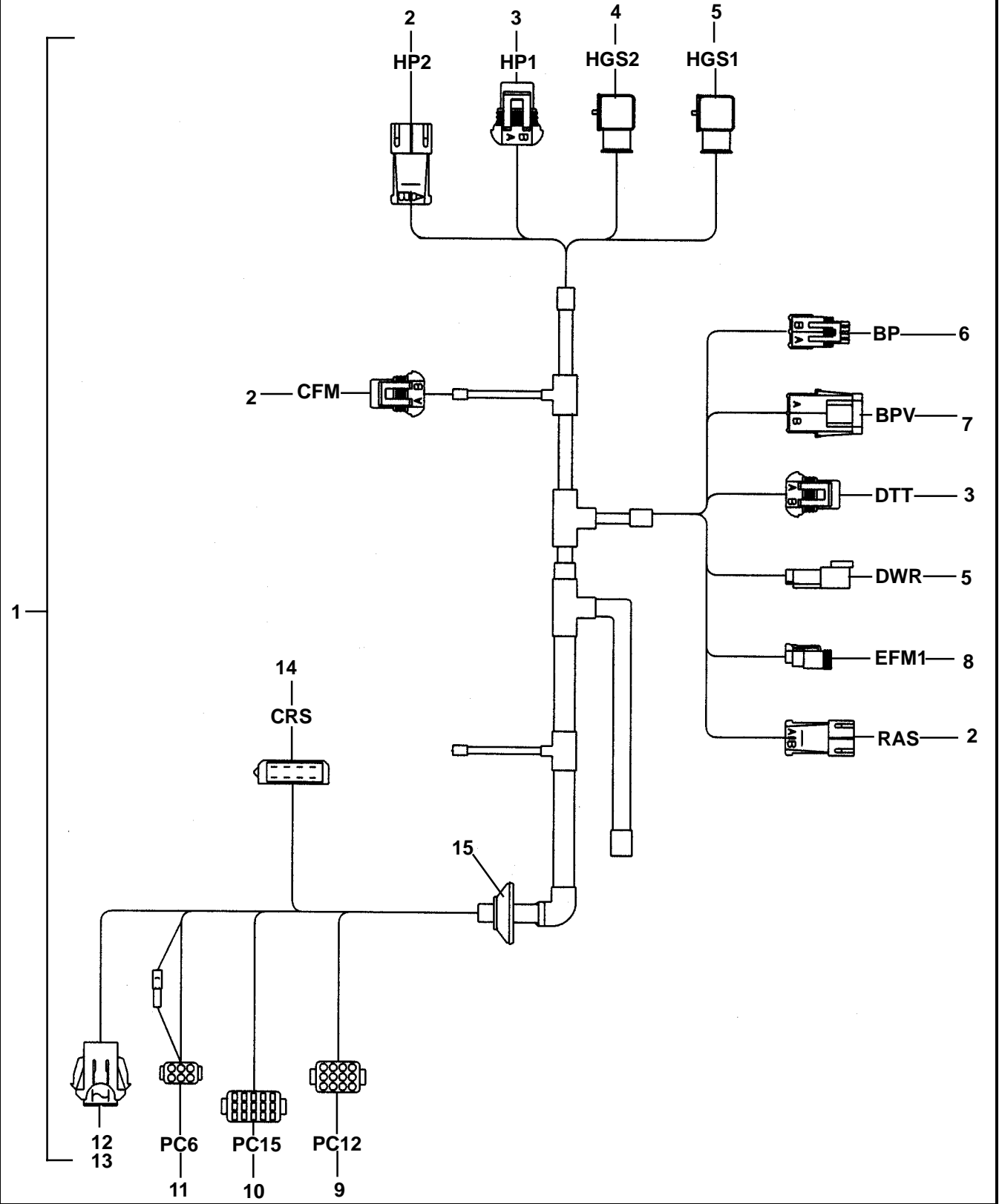
9.4 ELECTRICAL - HARNESS - ROAD ONLY



9.4 ELECTRICAL - HARNESS - ROAD ONLY

Item	Part Number	Description	Qty
1	22-60720-01	HARNESS, UNIT - INCLUDES:	1
2	22-50078-02SV	CONNECTOR 2 WAYS CFM HP1 (MATES WITH 22-50078-01SV)	2
3	22-50078-01SV	CONNECTOR 2 WAYS HP2 (MATES WITH 22-50078-02SV)	1
4	22-60068-00	CONNECTOR, SOLENOID VALVE COIL HGS2	1
5	22-01613-02	CONNECTOR 2 WAYS HGS1 (MATES WITH 22-01613-00)	1
6	22-02392-00SV	CONNECTOR 2 WAYS BPV (MATES WITH 22-01585-00SV)	1
7	22-01585-00SV	CONNECTOR 2 WAYS BP (MATES WITH 22-02392-00SV)	1
8	22-01613-10	CONNECTOR 4 WAYS EFM (MATES WITH 22-01613-08)	1
9	22-60300-10	CONNECTOR 12 WAYS CN2 (MATES WITH 22-60300-11)	1
10	22-60275-15	CONNECTOR 9 WAYS CN3 (MATES WITH 22-60275-25)	1

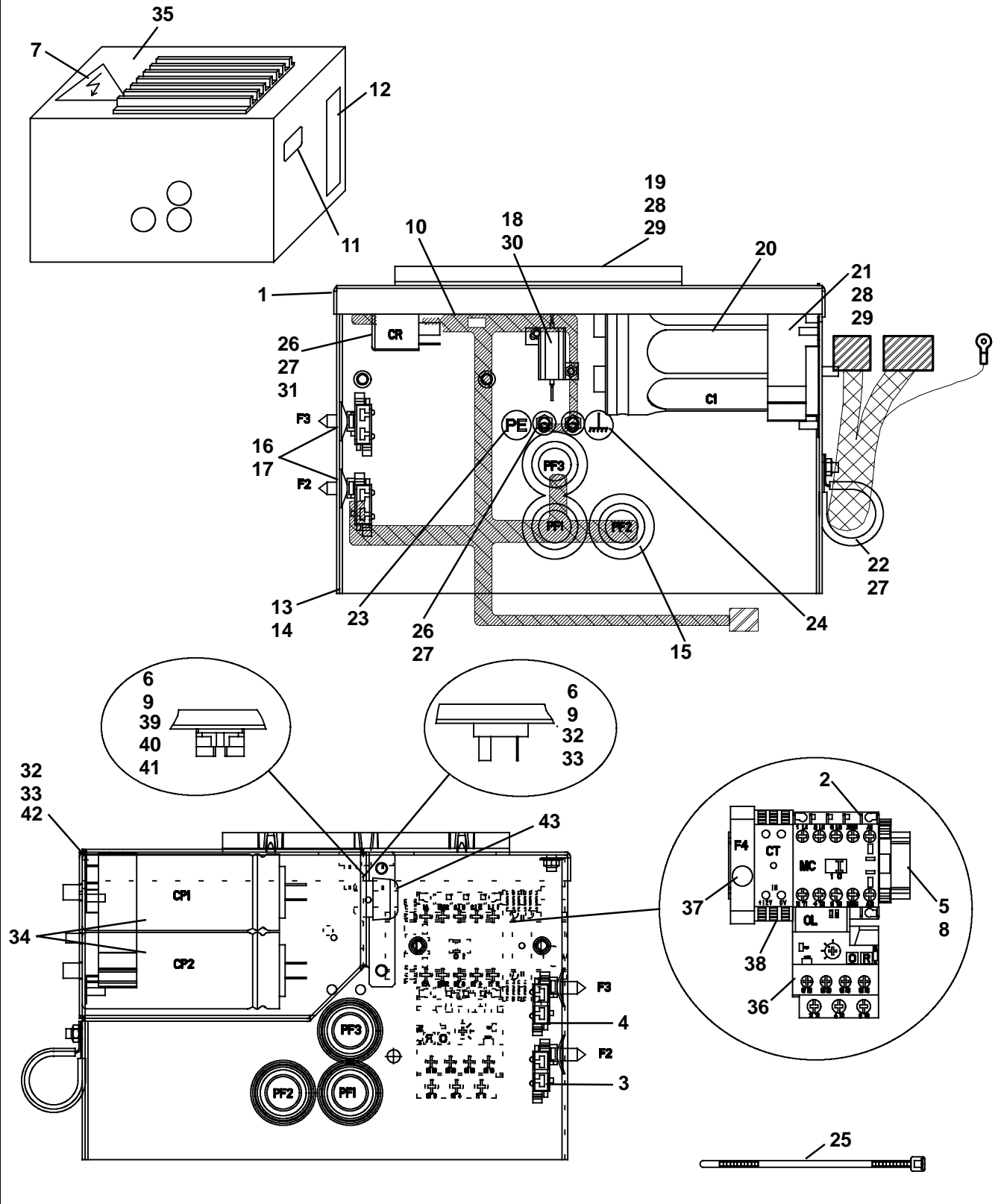
9.5 ELECTRICAL - HARNESS - ROAD/STANDBY



9.5 ELECTRICAL - HARNESS - ROAD/STANDBY

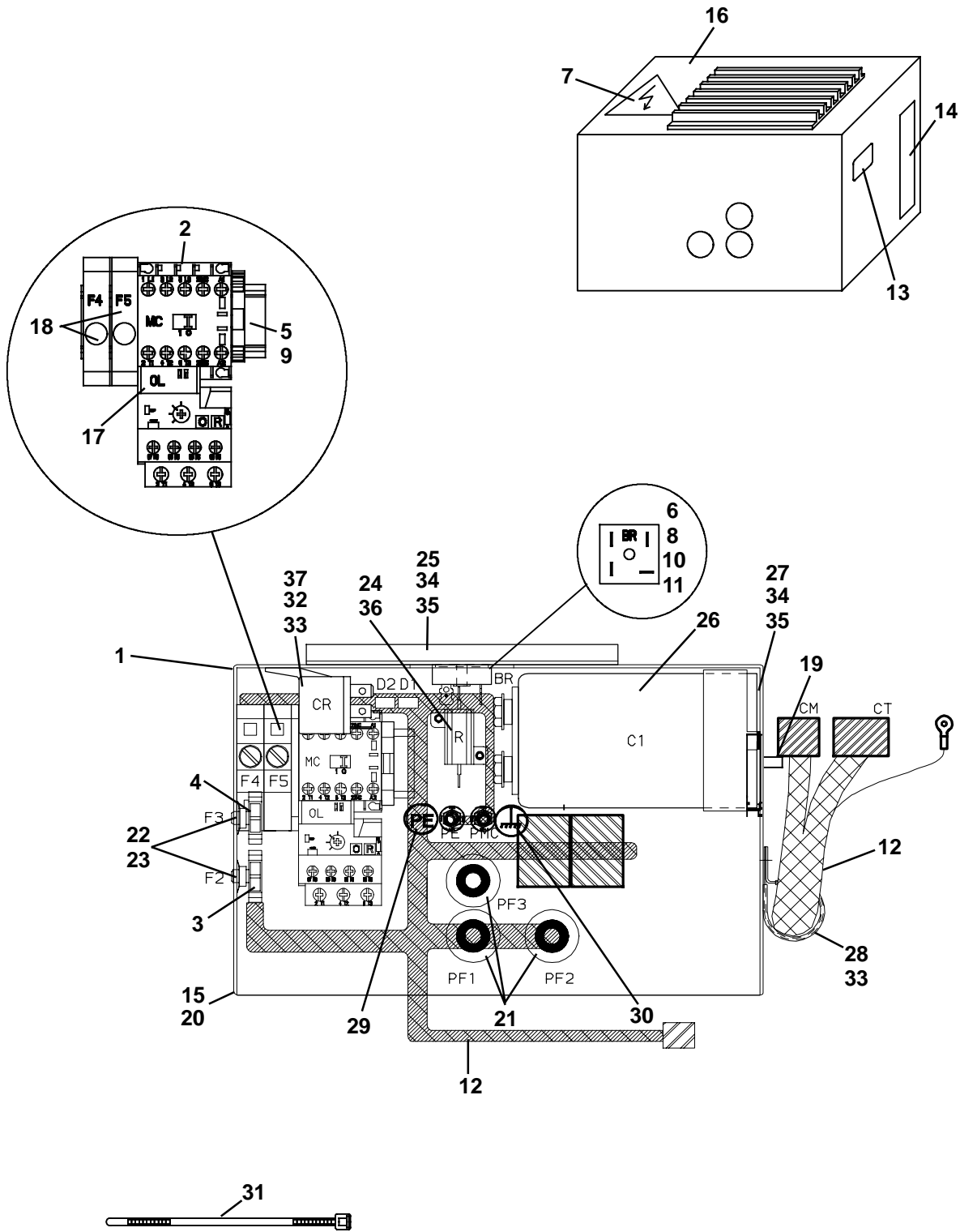
Item	Part Number	Description	Qty
1	22-60173-04	HARNESS, UNIT 230/1/60 UNITS ONLY - INCLUDES:	1
	22-60173-03	HARNESS, UNIT 115/1/60 & 230/3/60 UNITS ONLY - INCLUDES:	
2	22-50078-01SV	CONNECTOR, 2 WAY HP2, CFM, RAS (MATES W/ 22-50078-02SV)	3
3	22-50078-02SV	CONNECTOR, 2 WAY DTT, HP1 (MATES W/ 22-50078-01SV)	2
4	22-60068-00	CONNECTOR, SOLENOID VALVE COIL HGS2	1
5	22-01613-00	CONNECTOR, 2 WAY HGS1, DWR (MATES W/ 22-01613-02SV)	2
6	22-01585-00SV	CONNECTOR, 2 WAY BP (MATES W/ 22-02392-00SV)	1
7	22-02392-00SV	CONNECTOR, 2 WAY BPV (MATES W/ 22-01585-00SV)	1
8	22-01613-10	CONNECTOR, 4 WAY EFM1 (MATES W/ 22-01613-08)	1
9	22-60300-10	CONNECTOR, 12 WAY PC12 (MATES W/ 22-60300-11)	1
10	22-60275-17SV	CONNECTOR, 15 WAY PC15 (MATES W/ 22-60275-27SK)	1
11	22-60300-06	CONNECTOR, 6 WAY PC6 (MATES W/ 22-60300-07)	1
12	22-60195-00	FUSEHOLDER	1
13	22-02336-00	FUSE, 30A	1
14	22-60254-15	CONNECTOR, 8 WAY CRS (MATES W/ 22-60254-14SV)	1
15	22-60242-04	GROMMET	1

10 CONTROL BOX
10.1 CONTROL BOX - 230/1/60



10.1 CONTROL BOX - 230/1/60			
Item	Part Number	Description	Qty
1	91-60303-30	CONTROL BOX ASSEMBLY, 230V/1/60HZ UNITS ONLY - INCLUDES:	1
2	10-00471-00	CONTACTOR, 3POLES, 1NF, 12VDC	1
3	22-02336-00	FUSE, 30A	2
4	22-02336-02	FUSE, 5A	2
5	22-60298-00	JUNCTION BLOCK	1
6	10-60045-02	BRIDGE, DIODE, 800V 40AMPS	1
7	62-03957-01	DECAL, WARNING, HIGH VOLTAGE	1
8	34-60000-10	SCREW, MACH, HXHD, M5 X 10MM (.394), SST	2
9	34-01197-16	SCREW,CAP HXHDM4 X 16MM (0.625), SST	2
10	22-60856-06	HARNESS, CONTROL BOX, 208-230/1 (SEE SECTION 10.4)	1
11	62-60870-00	DECAL, VOLTAGE, 12VDC	1
12	62-60408-13	DECAL, VOLTAGE, 208-230/1/60HZ	1
13	NSS	CONTROL BOX BASE INCLUDES:	1
14	86-61332-00	BOX 1.5MM THK HR1 P&O	1
15	58-60298-03	GROMMET	3
16	22-60195-00	FUSE HOLDER	2
17	58-60282-00	CLASP, PUSH-ON	2
18	22-60184-00	RESISTOR 68 OHMS 25 WATTS	1
19	22-60301-01	HEAT SINK	1
20	10-60040-01	CAPACITOR 63V, 22000 MFD	1
21	10-60046-01	CLIP, 3" DIAMETER	1
22	44-60044-11	CLAMP 1" CUSHION. STL	1
23	62-60180-01	DECAL, GROUND	1
24	62-60226-00	DECAL, GROUND	1
25	44-60024-01	CLAMP, WITE, 98 LG 21 DIA	3
26	34-60002-55	WASHER, M5 BELLVILLE, SST	3
27	34-01184-55	NUT,LOCK M5 NYLOCK, STL	4
28	34-60002-54	WASHER, M4 BELLVILLE, SST	6
29	34-01184-54	NUT, LOCK, M4 NYLOCK, STL	6
30	34-01184-03	NUT, LOCK, M3 NYLOCK, SST	2
31	10-00286-03	RELAY SP, ST MAX 30 AMP	1
32	34-01184-55	NUT,LOCK, M5 NYLOCK, STL	4
33	34-60002-55	WASHER, M5 BELLVILLE, SST	4
34	10-00470-00	CAPACITOR, 450V 20MFD	2
35	62-60667-24	DECAL, COMPONENT LOCATION 208/1/60	1
36	10-00472-11	OVERLOAD, 9 TO 12.5A	1
37	22-60102-08	FUSE, 5x20 4A 600V	2
38	10-00384-01	TIMER	1
39	34-60095-24	WASHER, LOCK, M4 X 10MM OD, SST	2
40	34-01184-54	NUT, LOCK, M4 NYLOCK, STL	2
41	34-00945-04	WASHER, LOCK, M4 SPRING, STL	2
42	86-61330-00	BOX, CAPACITOR	1
43	58-60298-01	GROMMET	1

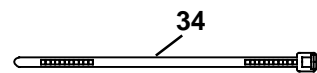
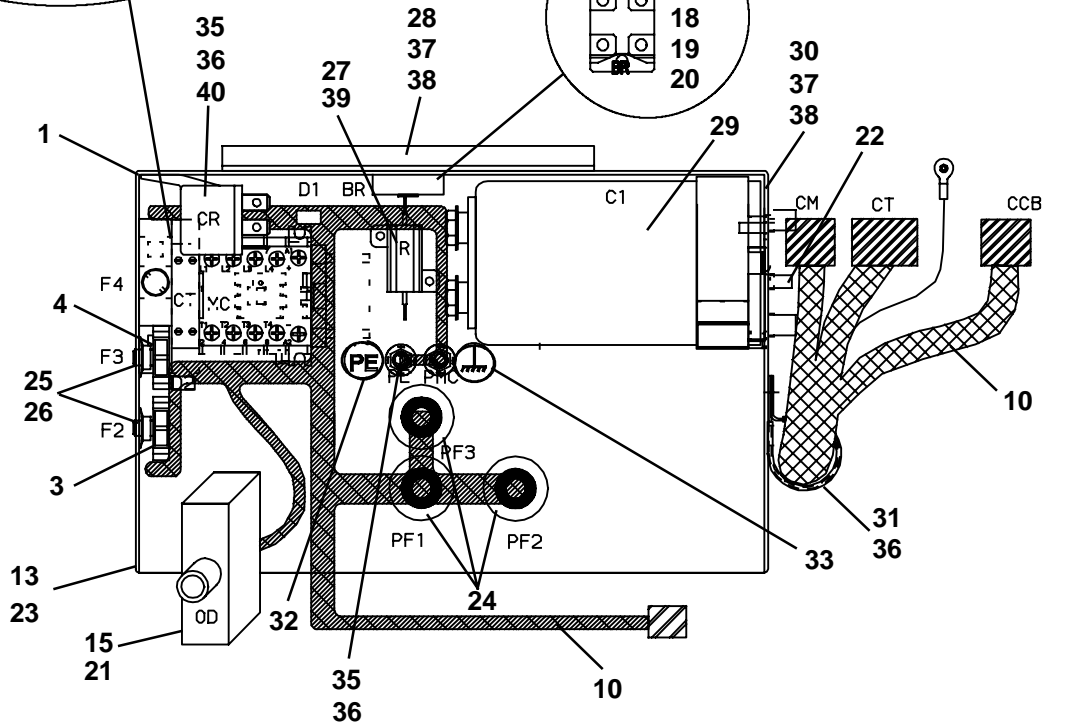
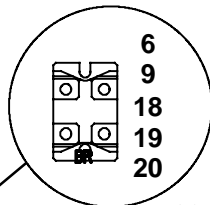
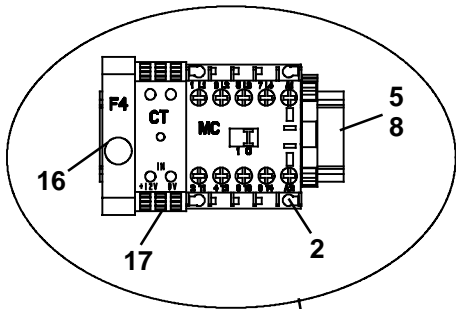
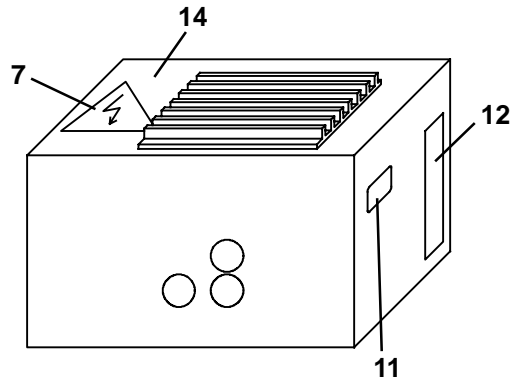
10.2 CONTROL BOX - 230/3/60



10.2 CONTROL BOX - 230/3/60

Item	Part Number	Description	Qty
1	91-60303-50	CONTROL BOX ASSY, 230V/3/60HZ UNITS ONLY - INCLUDES:	1
2	10-00471-00	CONTACTOR 3POLES, 1NF, 12VDC	1
3	22-02336-00	FUSE 30A	1
4	22-02336-02	FUSE 5A	2
5	22-60298-02	JUNCTION BLOCK ZEPHYR 30S	1
6	10-60045-00	BRIDGE DIODE 250V 50AMPS	1
7	62-03957-01	DECAL, WARNING HIGH VOLTAGE	1
8	34-60002-55	WASHER M5 BELLVILLE	2
9	34-60000-10	SCREW,MACH HXHD M5 X 10MM (.394)	2
10	34-01184-55	NUT,LOCK M5 NYLOCK	1
11	34-60000-25	SCREW, MACH HXHD M5 X 25MM (.98)LG	1
12	22-60856-04	HARNESS,CONTROL BOX 30S 400/3/50-60 (SEE SECTION 10.4)	1
13	62-60870-00	DECAL, VOLTAGE, 12VDC	1
14	62-60408-16	DECAL, VOLTAGE, 230/3/50-60HZ	1
15	91-60303-00	CONTROL BOX ASSEMBLY BASE (RECTIFIER-00)	1
16	62-60667-22	DECAL, COMPONENT LOCATION 230/3/60	1
17	10-00472-10	OVERLOAD 7.2 TO 10A	1
18	22-60102-08	FUSE 5x20 4A 600V	4
19	58-60324-02	CAP, PROTECTIVE, 5MM DIAMETER	3
20	86-61332-00	CONTROL BOX ASSEMBLY	1
21	58-60298-03	GROMMET	3
22	22-60195-00	HOLDER, FUSE	2
23	58-60282-00	CLASP, PUSH ON	2
24	22-60184-00	RESISTOR 60 OHMS 25 WATTS	1
25	22-60301-00	HEAT SINK TYPE PROFILE PR154	1
26	10-60040-01	CAPACITOR 63V, 22000 MFD	1
27	10-60046-01	CLIP, 3" DIAMETER	1
28	44-60044-11	CLAMP 1" CUSHION	1
29	62-60180-01	DECAL, GROUND	1
30	62-60226-00	DECAL, GROUND	1
31	44-60024-01	CLAMP, WHITE, 98 LONG 21 DIAMETER	3
32	34-60002-55	WASHER M5 BELLVILLE, SST	3
33	34-01184-55	NUT, LOCK M5 NYLOCK	4
34	34-60002-54	WASHER M4 BELLVILLE, SST	6
35	34-01184-54	NUT, LOCK M4 NYLOCK	6
36	34-01184-03	NUT, LOCK M3 NYLOCK	2
37	10-00286-03	RELAY SP, ST MAX 30 AMP	1

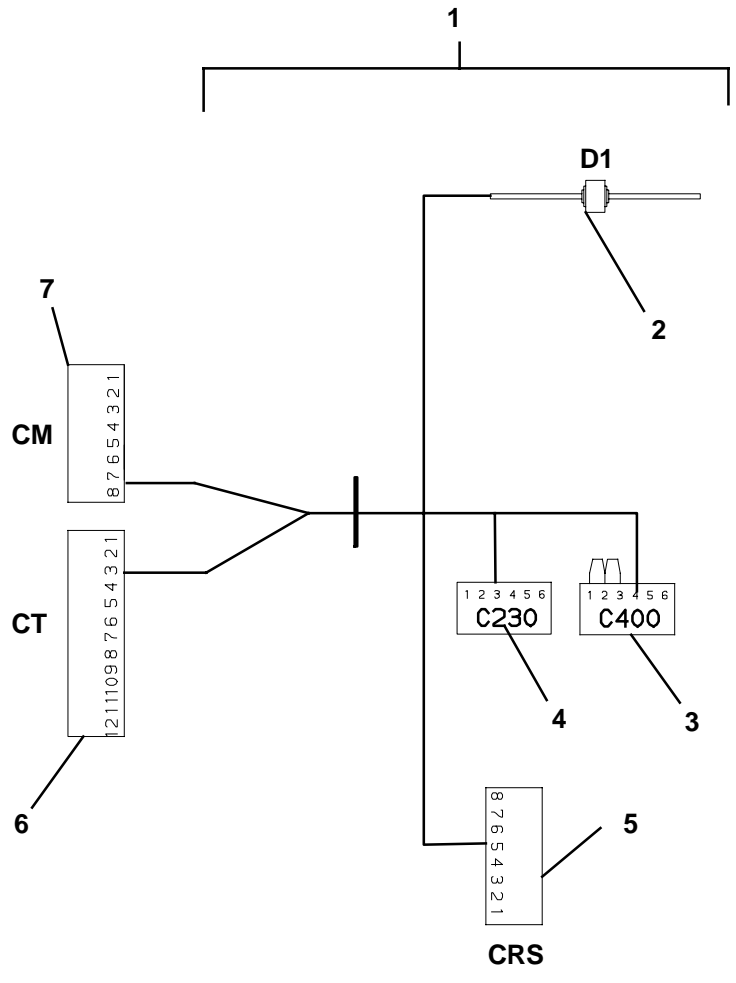
10.3 CONTROL BOX - 115/1/60



10.3 CONTROL BOX - 115/1/60

Item	Part Number	Description	Qty
1	91-60303-40	CONTROL BOX ASSY, 115V/1/60HZ UNITS ONLY - INCLUDES:	1
2	10-00471-04	CONTACTOR, 4POLES, 12VDC	1
3	22-02336-00	FUSE, 30A	2
4	22-02336-02	FUSE, 5A	2
5	22-60298-00	JUNCTION BLOCK	1
6	10-60045-02	BRIDGE, DIODE 800V 40AMPS	1
7	62-03957-01	DECAL, WARNING, HIGH VOLTAGE	1
8	34-60000-10	SCREW, MACH HXHD, M5 X 10MM (.394), SST	2
9	34-01197-16	SCREW, CAP HXHD, M4 X 16MM (0.625), SST	2
10	22-60856-07	HARNESS, CONTROL BOX, 115/1/60HZ (SEE SECTION 10.4)	1
11	62-60870-00	DECAL, VOLTAGE, 12VDC	1
12	62-60408-01	DECAL, VOLTAGE, 115/1/60	1
13	91-60303-01	CONTROL BOX	1
14	62-60667-25	DECAL, COMPONENT LOCATION 115/1/60	1
15	12-60019-01	OVERLOAD, 380VAC 25A	1
16	22-60102-11	FUSE, 5A, 250VAC IEC	2
17	10-00384-01	TIMER	1
18	34-60095-24	WASHER, LOCK, M4 X 10MM OD, SST	2
19	34-01184-54	NUT, LOCK, M4 NYLOCK	2
20	34-00945-04	WASHER, LOCK, M4 SPRING	2
21	10-60059-10	CAP, SWITCH	1
22	58-60324-02	CAP	3
23	86-61332-00	CONTROL BOX ASSEMBLY	1
24	58-60298-03	GROMMET	3
25	22-60195-00	FUSE HOLDER	2
26	58-60282-00	CLASP, PUSH-ON	2
27	22-60184-00	RESISTOR 68 OHMS 25 WATTS	1
28	22-60301-01	HEAT SINK, ALUMINUM	1
29	10-60040-01	CAPACITOR 63V, 22000 MFD	1
30	10-60046-01	CLIP, 3" DIAMETER	1
31	44-60044-11	CLAMP 1" CUSHION. STL	1
32	62-60180-01	DECAL, GROUND	1
33	62-60226-00	DECAL, GROUND	1
34	44-60024-01	CLAMP, WITE, 98 LG 21 DIA	3
35	34-60002-55	WASHER, M5 BELLVILLE, SST	3
36	34-01184-55	NUT,LOCK M5 NYLOCK, STL	4
37	34-60002-54	WASHER, M4 BELLVILLE, SST	6
38	34-01184-54	NUT, LOCK, M4 NYLOCK, STL	6
39	34-01184-03	NUT, LOCK, M3 NYLOCK, SST	2
40	10-00286-03	RELAY SP, ST MAX 30 AMP	1

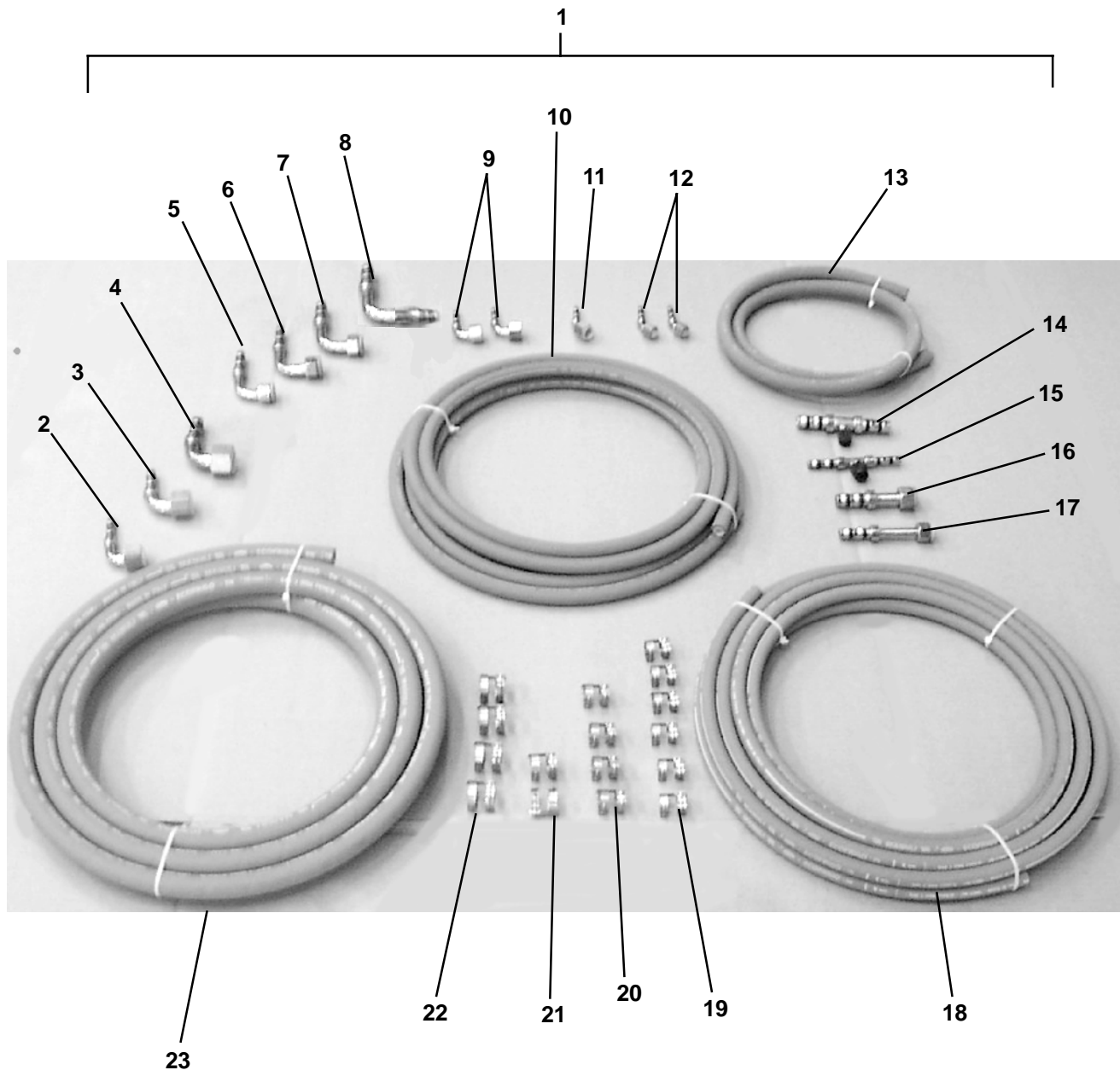
10.4 HARNESS - CONTROL BOX



10.4 HARNESS - CONTROL BOX

Item	Part Number	Description	Qty
1	22-60856-06	HARNESS, CONTROL BOX 230/1/60HZ UNITS ONLY - INCLUDES:	1
	22-60856-04	HARNESS, CONTROL BOX 230/3/60HZ UNITS ONLY - INCLUDES:	
	22-60856-07	HARNESS, CONTROL BOX 115/1/60HZ UNITS ONLY - INCLUDES:	
2	10-01021-00	DIODE	1
3	22-60300-06	CONNECTOR, 6 WAY (MATES W/ 22-01613-07) 230/3/60HZ UNITS ONLY	1
4	22-60300-07	CONNECTOR, 6 WAY (MATES W/ 22-01613-06) 230/3/60HZ UNITS ONLY	2
5	22-60254-14	CONNECTOR, 8 WAY (MATES W/ 22-60254-15)	1
6	22-01613-23	CONNECTOR, 12 WAY (MATES W/ 22-01613-25)	1
7	22-01613-24	CONNECTOR, 8 WAY (MATES W/ 22-01613-22)	1

11 HOSE KIT



11 HOSE KIT			
Item	Part Number	Description	Qty
1	77-60983-00	HOSE KIT, 30S, INCLUDES:	1
2	40-60289-02	ELBOW, 90_ ORS, 1/2" IDN 10.7	1
3	40-60289-03	ELBOW, 90_ ORS, 5/8" IDN 12.7	1
4	40-60289-13	ELBOW, 90_ ORS, 5/8" IDN 16.1	1
5	40-60286-02	ELBOW, 90_, 1/2" IDN 10.7	1
6	40-60286-03	ELBOW, 90_, 5/8" IDN 12.7	1
7	40-60286-13	ELBOW, 90_, 5/8" IDN 16.1	1
8	40-60292-04	ELBOW, 90_, IDN 16.1	1
9	40-60289-01	ELBOW, 90_ ORS, 3/8" IDN 8	2
10	58-60745-02	HOSE, IDN 10.7 (SOLD IN 15 M ROLLS ONLY)	6M
11	40-60290-01	ELBOW, 45_, 3/8" IDN 8	1
12	40-60289-10	ELBOW, 90_, 1/4" IDN 8	2
13	58-60745-03	HOSE, IDN 12.7 (SOLD IN 15 M ROLLS ONLY)	1.5M
14	40-60291-25	SERVICE VALVE, LP, IDN 16.1	1
15	40-60291-22	SERVICE VALVE, HP, IDN 10.7	1
16	40-60285-13	FITTING, STRAIGHT, 5/8" IDN 16.1	1
17	40-60285-02	FITTING, STRAIGHT, 5/8" IDN 10.7	1
18	58-60745-01	HOSE, IDN 8 (SOLD IN 15 M ROLLS ONLY)	9M
19	44-60129-01	CLAMP, IDN 8	6
20	44-60129-02	CLAMP, IDN 10.7	4
21	44-60129-03	CLAMP, IDN 12.7	2
22	44-60129-04	CLAMP, IDN 16.1	6
23	58-60745-04	HOSE, IDN 16.1 (SOLD IN 15 M ROLLS ONLY)	6M

PART NUMBER INDEX

PART NO.	PAGE NO.	PART NO.	PAGE NO.	PART NO.	PAGE NO.
04-60008-22	21	14-60018-04	1, 9, 11	22-60168-01	27
04-60008-27	21	14-60048-00	13	22-60168-02	27
08-60059-01	9, 11	14-60050-02	15	22-60168-04	27
10-00286-03	33, 35, 37	14-60055-00	15	22-60173-03	25, 31
10-00286-04	25	14-60060-00	13	22-60173-04	25, 31
10-00383-01	25	14-60062-06	9	22-60184-00	33, 35, 37
10-00383-04	25	14-60062-10	9, 11	22-60195-00	31, 33, 35, 37
10-00384-01	33, 37	17-31252-00	1	22-60242-04	31
10-00470-00	33	17-31307-00	1	22-60254-14	39
10-00471-00	33, 35	18-00084-90SV	1	22-60254-15	31
10-00471-04	37	18-00084-91SV	1	22-60268-00	9, 11
10-00472-10	35	18-00084-92SV	1	22-60275-12	23
10-00472-11	33	18-00085-02	1, 21	22-60275-15	29
10-01021-00	39	22-01585-00SV	19, 29, 31	22-60275-17SV	31
10-60040-01	33, 35, 37	22-01613-00	31	22-60298-00	33, 37
10-60045-00	35	22-01613-02	29	22-60298-02	35
10-60045-02	33, 37	22-01613-08SK	15	22-60300-06	31, 39
10-60046-01	33, 35, 37	22-01613-10	29, 31	22-60300-07	39
10-60059-10	37	22-01613-22	21	22-60300-10	29, 31
108-1961SV	1	22-01613-23	25, 39	22-60301-00	35
108-1962SV	1	22-01613-24	39	22-60301-01	33, 37
12-00507-00	7, 19	22-01613-25	25	22-60313-02	1
12-00511-52	23	22-02336-00	1, 31, 33, 35, 37	22-60405-00	19
12-00512-21	23	22-02336-02	1, 33, 35, 37	22-60419-00	19
12-60015-01	15	22-02336-05	1, 23	22-60590-00	9, 11
12-60019-01	37	22-02336-10	1	22-60694-01	27
12-60029-21	25	22-02336-16	1	22-60695-01	27
12-60032-00	9, 11, 23	22-02392-00SV	15, 29, 31	22-60696-00	27
12-60032-01	9, 11	22-50078-01SV	4, 9, 11, 15, 23, 29, 31	22-60697-00	27
14-00286-00	9, 11	22-50078-02SV	9, 11, 29, 31	22-60720-01	29
14-00326-04	1, 9, 11	22-50078-61SV	1	22-60856-04	35, 39
14-00329-00	19	22-60068-00	19, 29, 31	22-60856-06	33, 39
14-00329-10	19	22-60102-08	1, 33, 35	22-60856-07	37, 39
14-00332-00	9, 11	22-60102-11	1, 37	250-1501	1
14-00332-10	9, 11	22-60166-00	27	34-00373-06	17
14-00333-00	11	22-60167-01	15	34-00373-50	15
14-01092-06	9, 11			34-00876-16	21
14-60009-02	15			34-00945-04	33, 37
14-60014-00	17				

PART NUMBER INDEX

PART NO.	PAGE NO.	PART NO.	PAGE NO.	PART NO.	PAGE NO.
34-00945-10	21	34-60095-25	25	40-60048-04	7
34-00946-58	21	34-60095-27	13, 15, 17	40-60048-07	7
34-01152-16	13, 21	34-60095-29	15	40-60049-02	7
34-01152-20	15, 17	34-60095-45	9, 11	40-60056-01	7
34-01152-35	9, 11	34-60095-46	21	40-60058-05	7
34-01184-03	33, 35, 37	34-60105-20	5	40-60059-03	7
34-01184-54	33, 35, 37	34-60127-00	5	40-60060-03	7
34-01184-55	33, 35, 37	34-60147-00	15	40-60060-07	7
34-01184-62	4	38-60018-00	15	40-60061-03	7
34-01197-10	15	40-00491-00	2	40-60061-04	7
34-01197-16	33, 37	40-01124-00	9	40-60061-07	7
34-06121-00	2	40-01175-00	7	40-60071-00	21
34-06121-04	2	40-60007-01	2	40-60102-00	9, 11
34-06121-05	2	40-60007-02	2, 9, 11	40-60103-00	7, 15
34-06121-06	2	40-60007-03	2, 13	40-60129-02	21
34-06121-07	2	40-60007-04	2, 17	40-60159-00	11
34-60000-10	33, 35, 37	40-60007-12	11	40-60218-00	21
34-60000-16	9, 11, 15, 25	40-60007-13	9, 11	40-60285-02	41
34-60000-25	35	40-60008-01	15, 19	40-60285-13	41
34-60001-20	15	40-60008-01	2	40-60286-02	13, 21, 41
34-60002-54	33, 35, 37	40-60008-02	9, 11	40-60286-03	17, 41
34-60002-55	33, 35, 37	40-60008-02	2	40-60286-13	41
34-60014-04	4	40-60008-03	9, 11, 13	40-60289-01	41
34-60019-02	7	40-60008-03	2	40-60289-02	13, 21, 41
34-60019-03	7, 13	40-60008-03	2	40-60289-03	41
34-60019-04	7	40-60008-04	17	40-60289-10	41
34-60019-05	7	40-60008-04	2	40-60289-13	41
34-60022-03	21	40-60008-07	2	40-60290-01	41
34-60044-00	5	40-60009-01	15, 19	40-60291-22	41
34-60068-20	9, 11, 13, 15	40-60009-02	9, 11	40-60291-25	41
34-60080-130	21	40-60009-03	9, 11, 13	40-60292-04	41
34-60084-06	21	40-60009-04	17	42-00032-00	15
34-60085-08	21	40-60010-04	15	42-00243-00	2
34-60089-05	15, 25	40-60018-02	9, 11	42-00243-03	2, 7, 15, 17
34-60089-06	5, 15, 21, 23	40-60047-01	7	42-00243-04	2, 7, 13, 21
34-60095-24	15, 25, 33, 37	40-60047-02	15	42-00243-09	2, 7, 9, 11
		40-60048-01	7	42-00243-10	2, 7, 15, 19
		40-60048-02	7	42-00243-12	7
		40-60048-03	7		

PART NUMBER INDEX

PART NO.	PAGE NO.	PART NO.	PAGE NO.	PART NO.	PAGE NO.
42-00243-13	7, 21	58-00836-14	15	62-60667-24	33
42-01164-00	15	58-01284-00	15	62-60667-25	37
42-01164-02	4	58-01286-01	15	62-60681-00	5
42-01215-00	5	58-60115-02F50	1, 7	62-60870-00	33, 35, 37
44-01145-02	5	58-60115-03F50	1, 7	62-60939-00	5
44-01145-03	5, 25	58-60115-04F50	1, 7	65-60029-00	9, 11
44-01145-13	5, 25	58-60115-05F50	1, 7	68-60269-00	21
44-01145-16	4	58-60190-01	1	68-60279-00	4
44-60009-00	9, 11	58-60192-00	5	68-60314-00	14
44-60010-01	9, 11	58-60197-00	4	68-60349-00	13
44-60024-01	33, 35, 37	58-60282-00	33, 35, 37	68-60555-00	15
44-60044-11	33, 35, 37	58-60298-01	33	68-60556-00	15
44-60129-01	41	58-60298-03	33, 35, 37	68-61994-00	4
44-60129-02	41	58-60302-07	15	68-61996-00	9, 11
44-60129-03	17, 41	58-60324-02	35, 37	68-68003-00	17
44-60129-04	41	58-60604-00	27	73-60022-01	21
48-60065-00	5	58-60605-00	27	73-60026-00	15
48-60142-00	21	58-60606-00	27	73-60050-00	5
48-60145-54	21	58-60617-00	5	73-60069-00	5
48-60178-02	4	58-60745-01	41	76-00558-00	1
50-60107-01	21	58-60745-02	13, 21, 41	76-00577-00	1
50-60135-00	1, 21	58-60745-03	41	76-60624-01	13
50-60198-02	1, 21	58-60745-04	41	76-68020-00	1
54-00598-00	4	62-03797-13	15, 25	76-68550-00	1
54-60006-19	15	62-03957-01	33, 35, 37	76-68555-00	1
54-60006-30SV	15	62-60180-01	33, 35, 37	77-60983-00	41
54-60006-31	15	62-60226-00	33, 35, 37	79-60078-00	14
54-60028-02	21, 25	62-60291-00	25	79-60409-00	27
54-60028-07	21, 25	62-60389-00	5	8000883-ATH	1
54-60028-09	21, 25	62-60408-01	37	81-60096-00	13
56-60492-00	15	62-60408-13	33	81-60588-00	11
56-68016-00	17	62-60408-16	35		
58-00523-00	17	62-60667-22	35		

North America
Carrier Transicold
700 Olympic Drive
Athens, GA 30601 USA
Tel: 1-706-357-7223
Fax: 1-706-355-5435

**Central America
and Mexico**
Ejercito Nacional No. 418
Piso 9, Torre Yumal
Col. Chapultepec Morales
11570 Mexico, D.F.
Tel: (5255) 9126.0300
Fax: (5255) 9126.0373



Carrier

A United Technologies Company

Carrier Transicold Division,
Carrier Corporation
Truck/Trailer Products Group
P.O. Box 4805
Syracuse, N.Y. 13221 U.S.A.

www.carrier.transicold.com



A member of the United Technologies Corporation family. Stock symbol UTX
©2010 Carrier Corporation D Printed in U. S. A. 0310