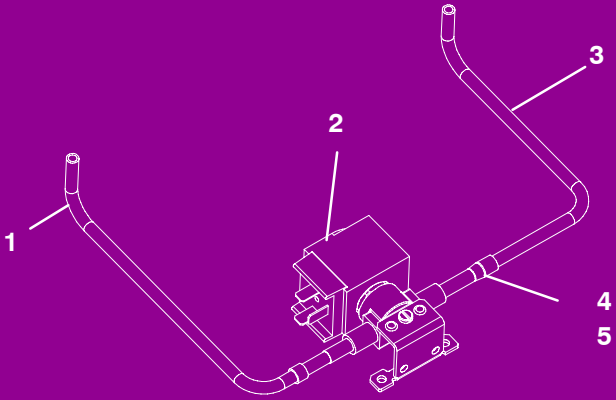




Truck Refrigeration



SERVICE PARTS LIST

for

20X

Truck Refrigeration Units



TRANSICOLD

SERVICE PARTS LIST

20X

TRUCK REFRIGERATION UNIT

TABLE OF CONTENTS

| PARAGRAPH NUMBER | Page |
|---|---------|
| INTRODUCTION | ii |
| ORDERING INSTRUCTIONS | iii |
| GENERAL NOTES | iii |
| 1 QUICK LIST | 1 |
| 1.1 QUICK LIST - FILTERS, FUSES AND BELTS | 1 |
| 1.2 QUICK LIST - COMPRESSOR | 1 |
| 1.3 QUICK LIST - COMPRESSOR CLUTCHES | 1 |
| 1.4 QUICK LIST - COMPRESSOR CLUTCH COIL | 1 |
| 1.5 QUICK LIST - REFRIGERATION, TXV, SOLENOID VALVES, COILS, SIGHTGLASS | 1 |
| 1.6 QUICK LIST - HARNESES AND CAB COMMAND | 2 |
| 1.7 QUICK LIST - SENSORS AND SWITCHES | 2 |
| 1.8 QUICK LIST - FIELD OPTION KITS | 2 |
| 1.9 QUICK LIST - REFRIGERANT HOSES | 2 |
| 1.10 O-RING FACE SEAL FITTINGS AND O-RINGS | 2 |
| 2 SKINS/DECALS | 4 |
| 3 CONDENSER | 6 |
| 4 DISCHARGE ASSY | 8 |
| 5 EVAPORATOR | 10 |
| 5.1 EVAPORATOR - SKINS | 10 |
| 5.2 EVAPORATOR - PIPING | 12 |
| 6 QUENCH VALVE ASSEMBLY | 14 |
| 7 ELECTRICAL | 16 |
| 7.1 ELECTRICAL - HARNESS | 18 |
| 8 REMOTE EVAPORATOR EXTENSION KIT | 20 |
| 9 REFRIGERATION HOSES AND FITTINGS | 22 |
| 10 SERVICE TOOLS | 24 |
| PART NUMBER INDEX | Index-1 |

INTRODUCTION

This parts list identifies service replacement parts for the Carrier Transicold Integra 20X Refrigeration Units. 20X truck refrigeration units are designed for medium temperature cooling, heating and defrost for truck applications.

| MODEL CHART | | |
|---|------------------------|---------------------|
| These may be ordered using the model number as the part number. (All units are supplied with ThinLine Evaporator and Condenser Shut-off Valve) | | |
| Description | Voltage | Model number |
| Road Only | 12V, No Standby | TRC120R03D |

Table 1-1. Additional Support Manuals

| Manual Number | Equipment Covered | Type of Manual |
|----------------------|------------------------------|------------------------------|
| 62-10891 | 20X | Operation And Service Manual |
| 62-10892 | Truck Units With Cab Command | Operator's Manual |
| 62-10893 | Truck Units With Cab Command | Easy To Run Manual |

ORDERING INSTRUCTIONS

All orders and inquiries for parts must include:

SUnit Serial Number

SPart Number

SDescription of Part

S Quantity Required

Address all correspondence for parts to the following address:

CARRIER TRANSICOLD DIVISION
Replacement Components Group
TR-20, P.O. Box 4805
Syracuse, New York 13221
or
Fax to: (315) 432-3778

GENERAL NOTES

To find replacement parts, consult Table of Contents, and turn to the appropriate page for the illustrated breakdown of replacement parts.

The following letter designations are used to classify parts throughout this list:

A/R *As Required.*

P-- *Suffix P--* added to the part number means the part is available in a packaged quantity only.
Example: P/N34-00373-01P10 is a package of 10 P/N34-00373-01.
Use the part number and the P-- suffix when ordering.

PL *Purchase locally.*

SST *Stainless Steel - 300 Series* unless otherwise specified.

SV *Suffix SV -* added to the part number designates service part replacement part.

| 1 QUICK LIST | |
|--|---|
| 1.1 QUICK LIST - FILTERS, FUSES AND BELTS | |
| PART NO. | DESCRIPTION |
| 14-00326-04 | FILTER DRIER, 3/8 ORS , INCLUDES: |
| 42-00243-09 | O-RING, 0.38 ID X 0.50 OD (QTY: 2) |
| 22-02336-16 | FUSE,40A |
| 22-50078-61SV | KIT, MAXIFUSE HOLDER AND COVER |
| 22-60313-02 | FUSE HOLDER, ATO TYPE, WITH CAP |
| 22-02336-10 | FUSE, 1 AMP |
| 22-02336-05 | FUSE, 25A |
| 1.2 QUICK LIST - COMPRESSOR | |
| PART NO. | DESCRIPTION |
| 18-00081-00 | COMPRESSOR, 2A GROOVE, 12V, TM13 |
| 18-00081-70 | COMPRESSOR, 8 GROOVE POLY-VEE, 12V, TM13 |
| 18-00081-80 | COMPRESSOR, A/B (VARIABLE) GROOVE |
| 1.3 QUICK LIST - COMPRESSOR CLUTCHES | |
| PART NO. | DESCRIPTION |
| 50-60135-00 | COMPRESSOR CLUTCH ASSY, 12V, 2A GROOVE, 3 EYE |
| 17-31252-00 | COMPRESSOR CLUTCH ASSY, 12V, VARIABLE A/B GROOVE, 3 EYE |
| AC501-291 | COMPRESSOR CLUTCH ASSY, 12V, 8 GROOVE POLY VEE |
| 1.4 QUICK LIST - COMPRESSOR CLUTCH COIL | |
| PART NO. | DESCRIPTION |
| 17-31307-00 | COIL, CLUTCH, 12V |
| 1.5 QUICK LIST - REFRIGERATION, TXV, SOLENOID VALVES, COILS, SIGHTGLASS | |
| PART NO. | DESCRIPTION |
| 14-60039-06 | VALVE,EXPANSION (TXV) 1/2" ODS |
| 14-60009-02 | ORIFICE, TXV, # 2, BRAZED-ON |
| 14-60014-05 | VALVE, COMPRESSOR PRESSURE REGULATING (CPR) |
| 08-60003-01 | HEAT EXCHANGER, LSHX |
| 14-60062-06 | SOLENOID VALVE, 3/8", W/O COIL, HGS1, 12V |
| 22-60590-00 | COIL, HGS1 SOLENOID VALVE, 12V |
| 14-60062-10 | REPAIR KIT, HGS1 SOLENOID VALVE |
| 14-00332-00 | SOLENOID VALVE, 1/2", W/O COIL, HGS2, 12V |
| 22-60268-00 | COIL, HGS2 SOLENOID VALVE, 12V |
| 14-00276-10 | REPAIR KIT, HGS2 SOLENOID VALVE |
| 14-01092-06 | SIGHTGLASS, 3/8" ORS |
| 76-61072-00 | MUFFLER, DISCHARGE (OPTION) |
| 14-00286-00 | CHECK VALVE, 3/8" ORFS |
| 14-00269-00 | SOLENOID VALVE, QUENCH, W/O COIL, 1/4"ODS |
| 22-60405-00 | COIL, QUENCH VALVE, 12V |
| 14-00269-10 | REPAIR KIT, QUENCH VALVE |

1.6 QUICK LIST - HARNESSES AND CAB COMMAND

| PART NO. | DESCRIPTION |
|---------------|--|
| 22-60720-02 | HARNESS, UNIT, ROAD ONLY |
| 22-60473-00 | HARNESS, EVAP EXTENSION, 2.5M (8.2 FT) |
| 22-60473-01 | HARNESS, EVAP EXTENSION, 6M (19.7 FT) |
| 22-60419-00 | HARNESS, QUENCH VALVE, INCLUDES: |
| 22-60068-00 | CONNECTOR, COIL |
| 22-01585-00SV | CONNECTOR, 2 WAY(MATES W/ 22-02392-00SV) |
| 79-60409-00 | CAB COMMAND, ROAD ONLY, INCLUDES: |
| 22-60166-00 | BRACKET, CAB COMMAND |
| 22-60168-00 | CABLE ASSY, CAB COMMAND 10M (32 FT) |
| 22-60168-01 | CABLE ASSY, CAB COMMAND 13M (42 FT) |
| 22-60168-02 | CABLE ASSY, CAB COMMAND 16M (52 FT) |
| 22-60168-03 | CABLE ASSY, CAB COMMAND 4.5M (15 FT) |

1.7 QUICK LIST - SENSORS AND SWITCHES

| PART NO. | DESCRIPTION |
|---------------|--|
| 12-60032-03 | SWITCH, HIGH PRESSURE, HP2, INCLUDES: |
| 22-50078-02SV | CONNECTOR, 2 WAY(MATES W/ 22-50078-01SV) |
| 12-60032-02 | SWITCH, HIGH PRESSURE, HP1, INCLUDES: |
| 22-50078-01SV | CONNECTOR, 2 WAY(MATES W/ 22-50078-02SV) |
| 12-60015-04 | SWITCH, LOW PRESSURE, INCLUDES: |
| 22-02392-00SV | CONNECTOR, 2 WAY(MATES W/ 22-01585-00SV) |
| 12-00256-21 | SWITCH, KLIXON, DEFROST TERMINATION |
| 12-00512-21 | SENSOR THERMISTOR, RAS, INCLUDES: |
| 22-60275-12 | CONNECTOR, 3 WAY(MATES W/ 22-60275-22) |
| 12-00507-00 | THERMOSTAT, QUENCH VALVE |

1.8 QUICK LIST - FIELD OPTION KITS

| PART NO. | DESCRIPTION |
|-------------|--|
| 76-60868-00 | ROOFMOUNT KIT |
| 76-61072-00 | MUFFLER KIT, DISCHARGE LINE |
| 76-60869-00 | ROOFCUT KIT |
| 76-60892-00 | EXTENSION KIT, REMOTE EVAP, 3M (9.8 FT) |
| 76-60892-01 | EXTENSION KIT, REMOTE EVAP, 6M (19.7 FT) |
| 76-60891-00 | HEATER KIT, DEFROST DRAIN WATER |
| 76-60974-01 | INJECTION KIT, QUENCH VALVE |

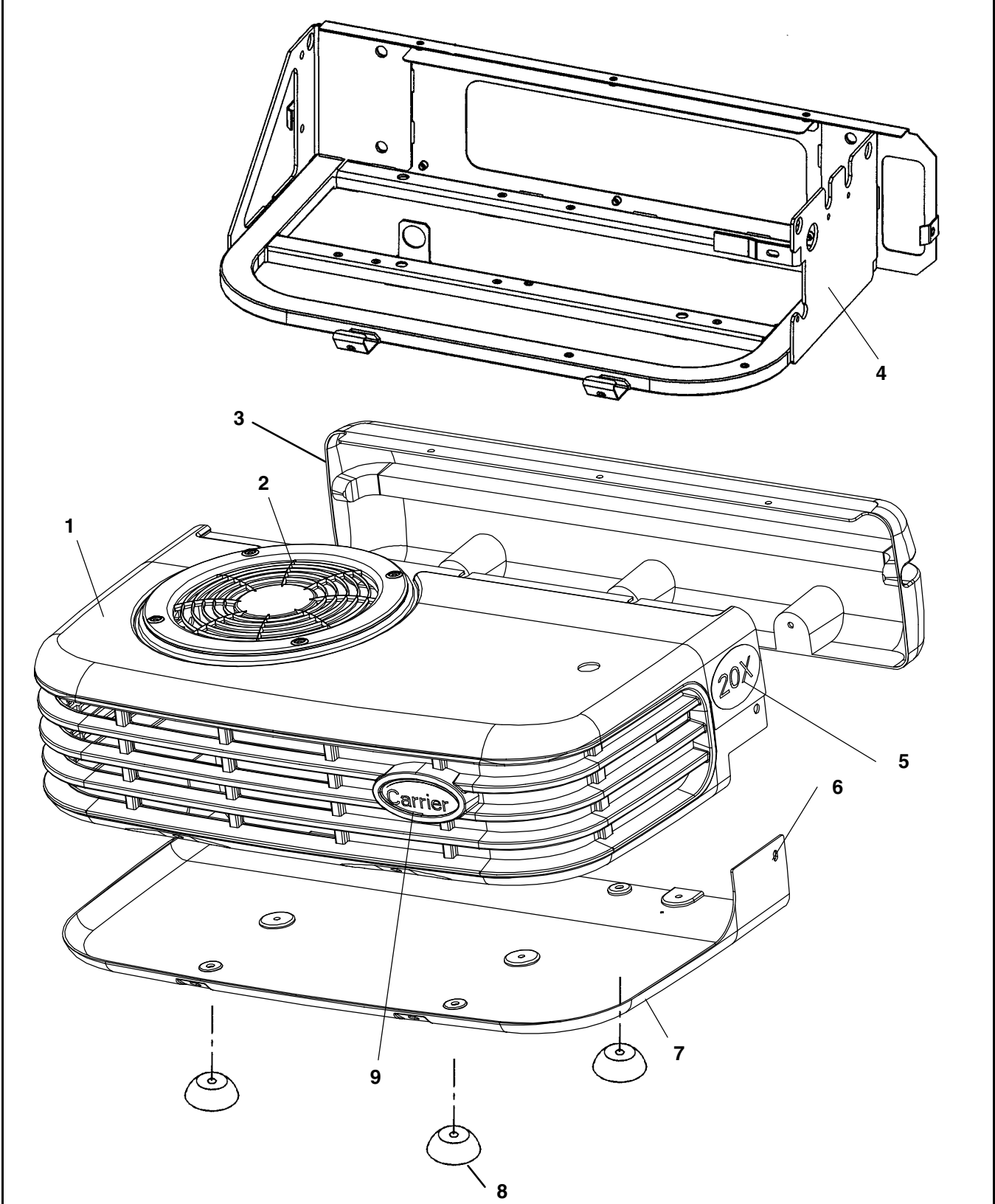
1.9 QUICK LIST - REFRIGERANT HOSES

| PART NO. | DESCRIPTION (Sold In 50 Ft. Rolls) |
|----------------|------------------------------------|
| 58-60115-02F50 | HOSE, REFRIGERANT, # 6 |
| 58-60115-03F50 | HOSE, REFRIGERANT, # 8 |
| 58-60115-04F50 | HOSE, REFRIGERANT, # 10 |
| 58-60115-05F50 | HOSE, REFRIGERANT, # 12 |

1.10 O-RING FACE SEAL FITTINGS AND O-RINGS

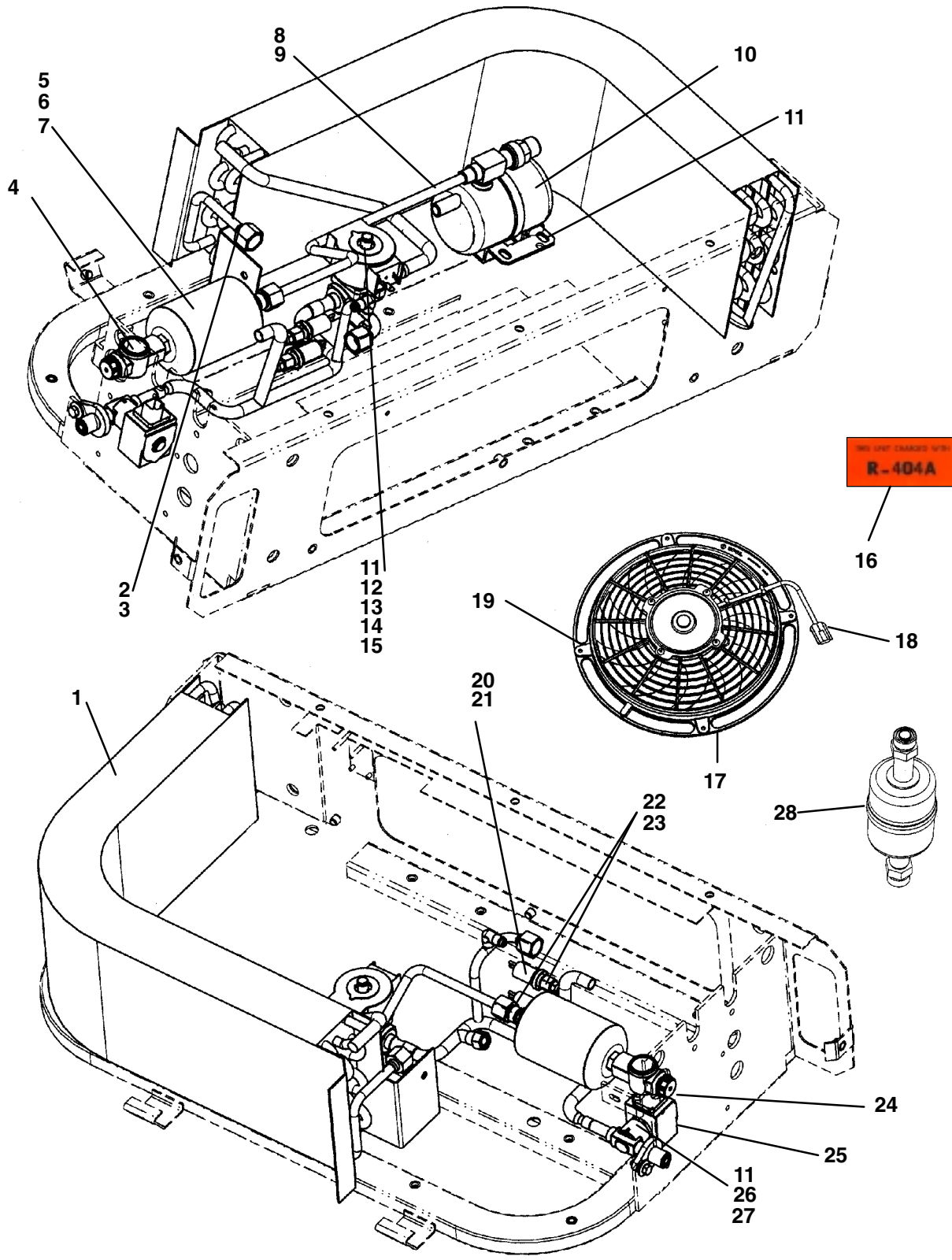
| TUBE SIZE - OD | SLEEVE P/N | NUT P/N | O-RING P/N | MALE ORS FITTING |
|----------------|-------------|-------------|-------------|------------------|
| 1/4" | 40-60008-01 | 40-60009-01 | 42-00243-10 | 40-60007-01 |
| 3/8" | 40-60008-02 | 40-60009-02 | 42-00243-09 | 40-60007-02 |
| 1/2" | 40-60008-03 | 40-60009-03 | 42-00243-04 | 40-60007-03 |
| 5/8" | 40-60008-04 | 40-60009-04 | 42-00243-03 | 40-60007-04 |
| 7/8" | 40-60008-07 | 40-60009-06 | 42-00243-00 | 40-60007-11 |

2 SKINS/DECALS



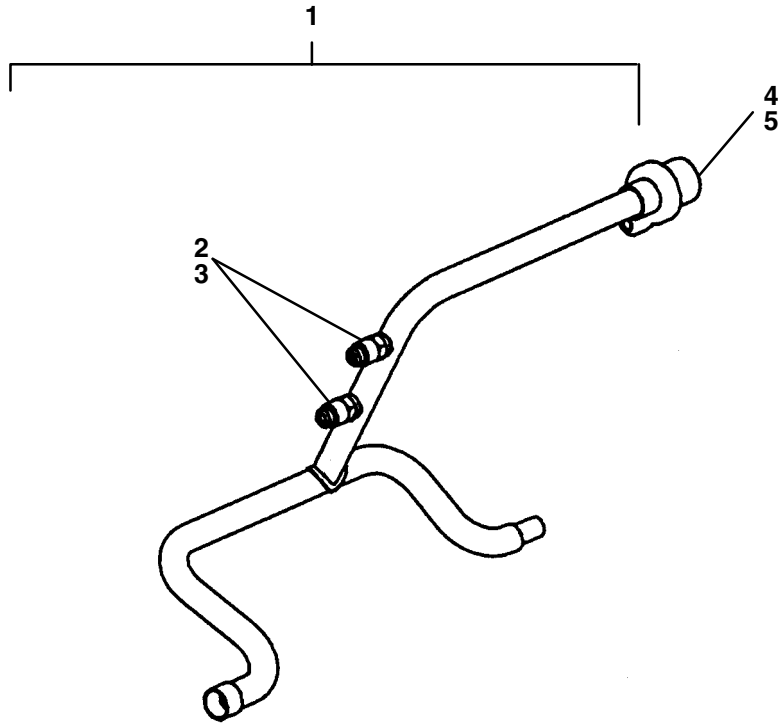
| 2 SKINS/DECALS | | | |
|-----------------------|--------------------|-----------------------|------------|
| Item | Part Number | Description | Qty |
| 1 | 58-60662-00 | SKIN, TOP | 1 |
| 2 | 73-60078-00 | GRILLE, CONDENSER FAN | 1 |
| 3 | 58-60347-00 | REAR SKIN | 1 |
| 4 | 86-61038-00 | FRAME ASSY UNIT | 1 |
| 5 | 62-04069-02 | DECAL, LOGO | 4 |
| 6 | 34-60044-00 | SCREW, M6X20 | 15 |
| 7 | 58-60346-01 | SKIN, BOTTOM | 1 |
| 8 | 73-60050-00 | SHOCKMOUNT | 4 |
| 9 | 62-60390-01 | DECAL, CARRIER | 1 |

3 CONDENSER



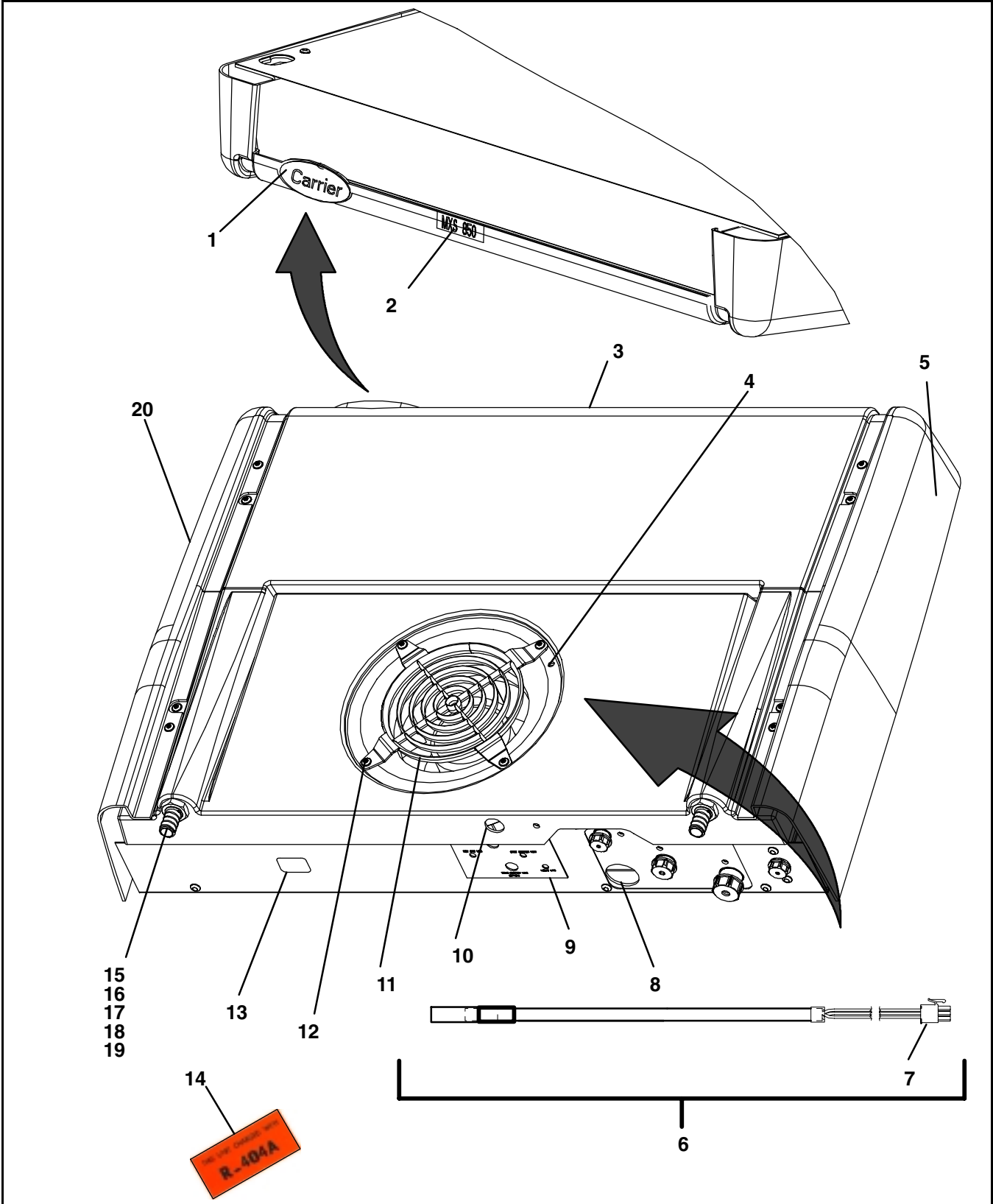
| 3 CONDENSER | | | |
|--------------------|--------------------|---|------------|
| Item | Part Number | Description | Qty |
| 1 | 08-60163-00 | CONDENSER COIL - INCLUDES: | 1 |
| 2 | 40-60009-02 | NUT, 3/8" | 1 |
| 3 | 40-60008-02 | SLEEVE, 3/8" | 1 |
| 4 | 14-01092-06 | SIGHT GLASS, 3/8" ORS | 1 |
| 5 | 14-00326-04 | FILTER DRIER - INCLUDES: | 1 |
| 6 | 42-00243-09 | O-RING, 3/8 | 2 |
| 7 | 44-60009-04 | CLAMP, HOSE | 1 |
| 8 | 82-60151-00 | TUBE, COPPER 3/8" - INCLUDES: | 1 |
| 9 | 40-60224-00 | FITTING, 3/8 TUBE X 3/8 ORS | 1 |
| 10 | 65-60061-00 | RECEIVER, 0.5L | 1 |
| 11 | 34-60068-20 | SCREW, M6 X 20MM | 10 |
| 12 | 14-00332-00 | VALVE, SOLENOID, HGS2 , 1/2" | 1 |
| 13 | 14-00276-10 | REPAIR KIT, HGS2 VALVE | 2 |
| 14 | 68-60843-00 | BRACKET | 1 |
| 15 | 22-60268-00 | COIL, 12V, HGS2 VALVE | 1 |
| 16 | 62-60063-00 | DECAL, R404A | 1 |
| 17 | 54-00611-00 | FAN & MOTOR, 12V - INCLUDES: | 1 |
| 18 | 22-50078-01SV | CFM CONNECTOR 2 WAYS (MATES WITH 22-50078-02SV) | 1 |
| 19 | 34-60198-25 | SCREW, M5 X 25MM | 4 |
| 20 | 12-60032-03 | HP2 SWITCH, HIGH PRESSURE - INCLUDES: | 1 |
| 21 | 22-50078-02SV | CONNECTOR 2 WAYS (MATES WITH 22-50078-01SV) | 1 |
| 22 | 12-60032-02 | HP1 SWITCH, HIGH PRESSURE - INCLUDES: | 1 |
| 23 | 22-50078-01SV | CONNECTOR 2 WAYS (MATES WITH 22-50078-02SV) | 1 |
| 24 | 42-00243-09 | O-RING, 3/8" | 5 |
| 25 | 22-60590-00 | COIL, 12V, HGS1 VALVE | 1 |
| 26 | 14-60062-06 | VALVE, SOLENOID, HGS1, 3/8" | 1 |
| 27 | 14-60062-10 | REPAIR KIT, HGS1 VALVE | 1 |
| 28 | 76-61072-00 | MUFFLER KIT, DISCHARGE LINE | 1 |

4 DISCHARGE ASSY



| 4 DISCHARGE ASSEMBLY | | | |
|-----------------------------|--------------------|--|------------|
| Item | Part Number | Description | Qty |
| 1 | 81-60547-00 | DISCHARGE LINE ASSY, WITH HEATING ROAD - INCLUDES: | 1 |
| 2 | 40-60159-00 | FITTING, SCHRAEDER, 1/4" | 1 |
| 3 | 40-60169-03 | FITTING,#8 ORFS X 1/2" ODS | 2 |
| 4 | 42-00243-04 | O-RING, 1/2" | 1 |
| 5 | 34-60068-20 | SCREW, M6 X 20MM LG. | 1 |

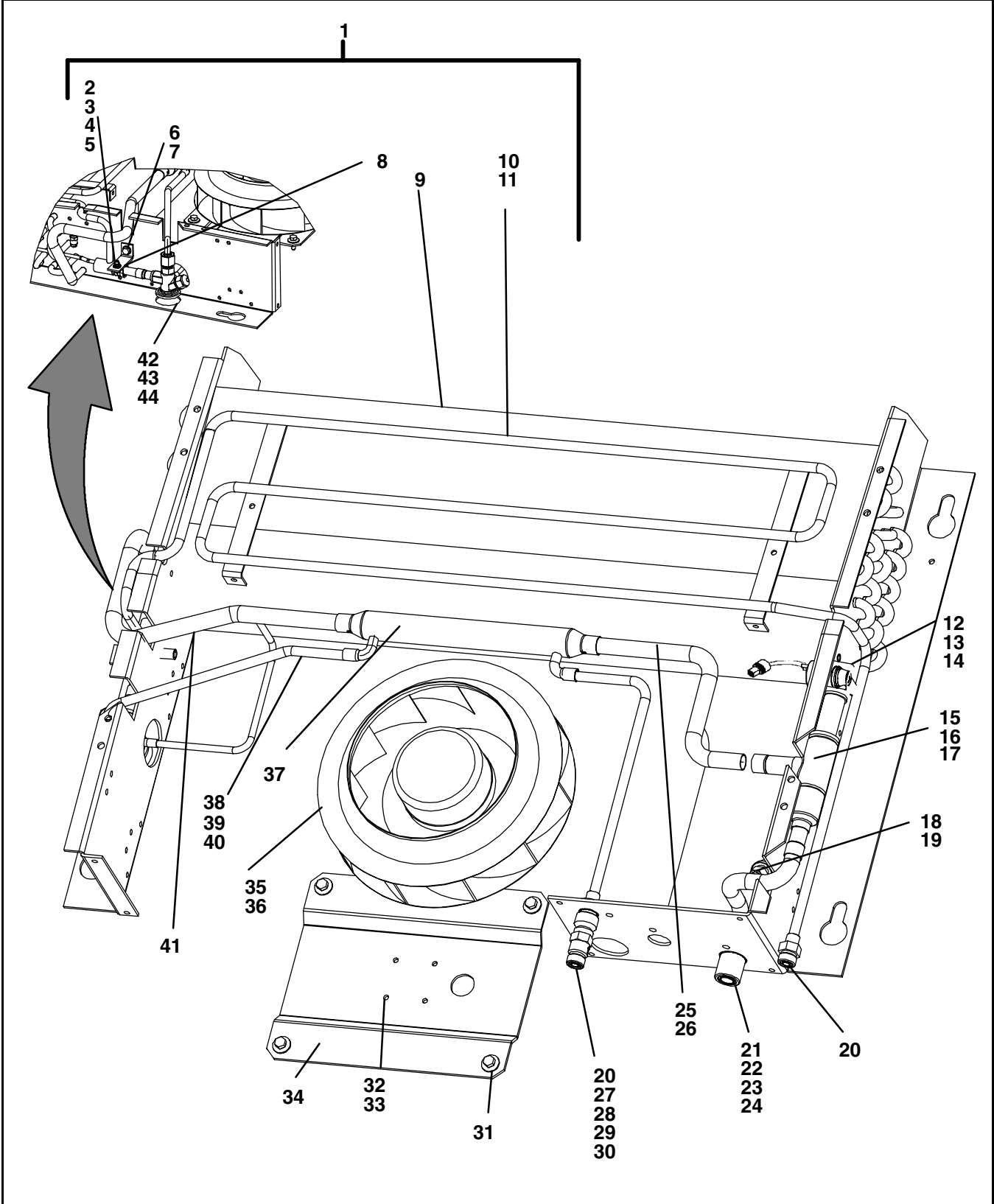
5 EVAPORATOR
5.1 EVAPORATOR - SKINS



5.1 EVAPORATOR - SKINS

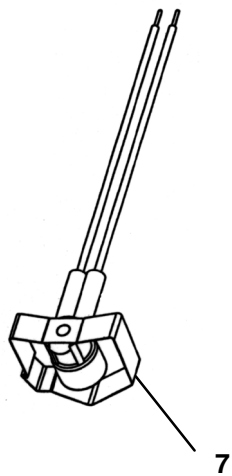
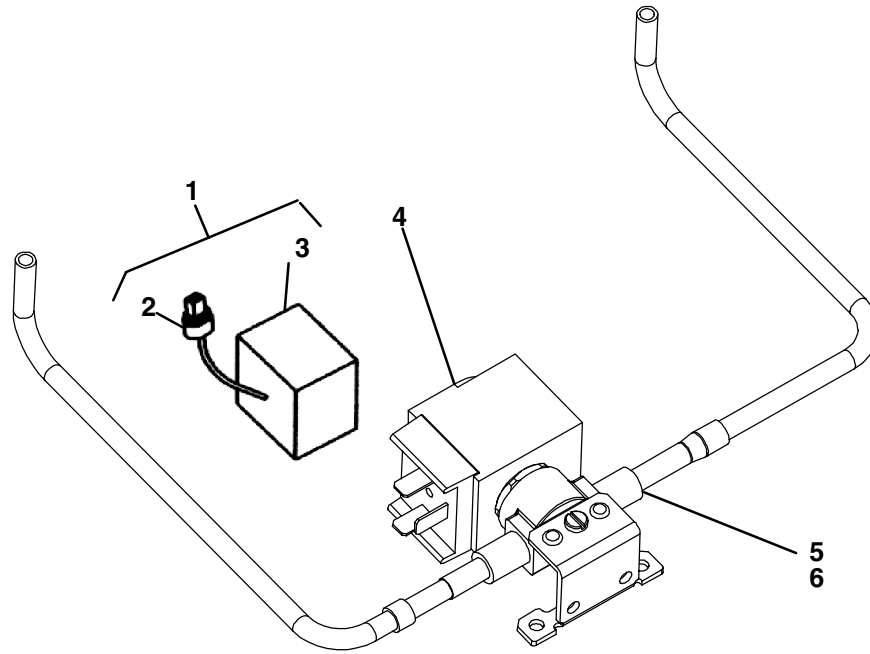
| Item | Part Number | Description | Qty |
|------|-------------|---|-----|
| 1 | 62-60390-02 | DECAL, CARRIER | 1 |
| 2 | 62-61446-01 | DECAL, MXS 850 | 1 |
| 3 | 58-60334-00 | BOTTOM SKIN | 1 |
| 4 | 34-00373-50 | CLAMP, TUBE, .19 DIA | 1 |
| 5 | 58-60335-00 | SKIN, ROADSIDE | 1 |
| 6 | 12-00512-21 | RAS SENSOR - INCLUDES: | 1 |
| 7 | 22-60275-12 | CONNECTOR 3 WAYS (MATES WITH 22-60275-22SV) | 1 |
| 8 | 58-60298-04 | GROMMET TAP | 1 |
| 9 | 62-60774-00 | DECAL, REFRIGERATION TUBE LEGEND | 1 |
| 10 | 58-60298-02 | GROMMET | 1 |
| 11 | 58-60485-00 | GRILLE, EVAP | 1 |
| 12 | 34-60198-16 | SCREW, M5 X 16MM | 12 |
| 13 | 62-60870-00 | DECAL, VOLTAGE 12V | 1 |
| 14 | 62-60063-00 | DECAL, R404A | 1 |
| 15 | 58-60400-04 | HOSE, WATER, 17MM ID X 6M | A/R |
| 16 | 58-60399-00 | FITTING, DRAIN | 2 |
| 17 | 58-60401-00 | NUT, M20 X 1.5MM | 2 |
| 18 | 42-60042-01 | GASKET, DRAIN FITTING | 2 |
| 19 | 76-60891-00 | HEATER KIT, WATER DRAIN LINES | 1 |
| 20 | 58-60336-00 | SKIN, CURBSIDE | 1 |

5.2 EVAPORATOR - PIPING



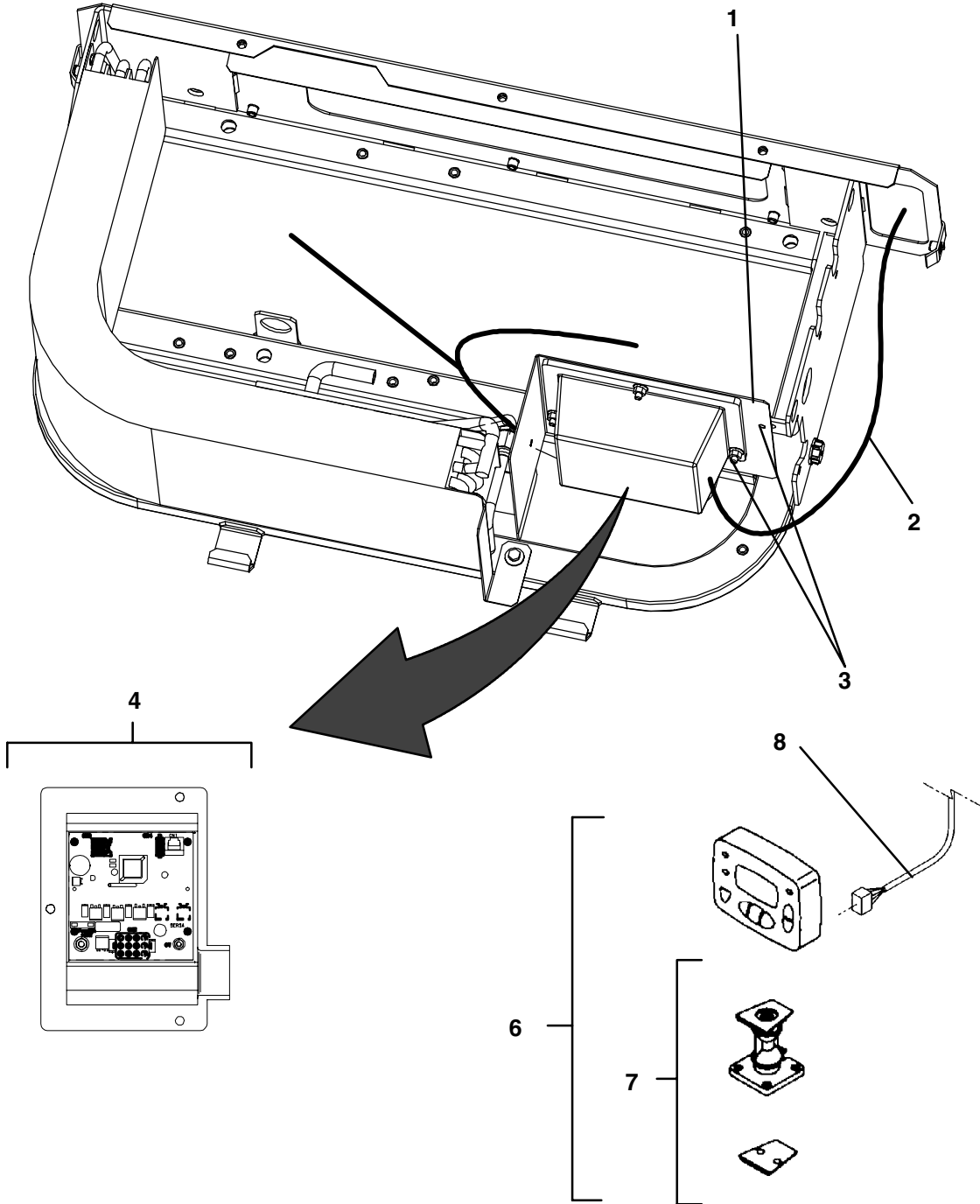
| 5.2 EVAPORATOR - PIPING | | | |
|--------------------------------|--------------------|---|------------|
| Item | Part Number | Description | Qty |
| 1 | 79-60337-00 | EVAPORATOR ASSY - INCLUDES: | 1 |
| 2 | 34-01184-05 | NUT, LOCK, M5 | 1 |
| 3 | 44-60041-14 | CLAMP | 1 |
| 4 | 34-60000-16 | SCREW, CAP HXHD M5X16 | 2 |
| 5 | 34-60095-25 | WASHER, LOCK M5X12 | 1 |
| 6 | 34-60095-27 | WASHER, LOCK M6X14 | 1 |
| 7 | 34-01152-20 | SCREW, CAP HXHD M6X20 | 1 |
| 8 | 68-60651-00 | BRACKET, TXV | 1 |
| 9 | NSS | COIL ASSY, EVAPORATOR | 1 |
| 10 | 81-60507-00 | TUBE, DEFROST - INCLUDES: | 1 |
| 11 | 40-60007-02 | FITTING, MALE, ORS, 3/8" | 1 |
| 12 | 14-60055-00 | DEFROST TERMINATION ASSY - INCLUDES: | 1 |
| 13 | 12-00256-21 | THERMOSTAT, DEFROST TERMINATION | 1 |
| 14 | 22-50078-01SV | CONNECTOR 2 WAYS (MATES WITH 22-50078-02SV) | 1 |
| 15 | 14-60014-05 | VALVE CPR WITH SCHRAEDER | 1 |
| 16 | 34-60095-25 | WASHER, LOCK M5 X 12MM | 2 |
| 17 | 44-60044-13 | CLAMP, 1 1/4" | 1 |
| 18 | 12-60015-04 | LOW PRESSURE SWITCH - INCLUDES: | 1 |
| 19 | 22-02392-00SV | CONNECTOR 2 WAYS (MATES WITH 22-01585-00SV) | 1 |
| 20 | 42-00243-09 | O-RING, 3/8" | 2 |
| 21 | 81-60306-00 | TUBE ASSY - INCLUDES: | 1 |
| 22 | 40-60169-04 | FITTING, #10 ORFS X 5/8" ODS | 1 |
| 23 | 40-60159-00 | FITTING, 1/4", SCHRADER, 3/8 M - 1/4 F | 1 |
| 24 | 42-00243-03 | O-RING, 5/8" | 1 |
| 25 | 81-60121-00 | TUBE ASSY - INCLUDES: | 1 |
| 26 | 40-60169-03 | FITTING, #8 ORFS X 1/2 ODS | 1 |
| 27 | 81-60120-00 | TUBE ASSY, LIQUID LINE TO LSHX - INCLUDES: | 1 |
| 28 | 40-60169-02 | FITTING, #6 ORFS X 3/8" ODS | 1 |
| 29 | 14-00286-00 | CHECK VALVE, 3/8 LIQUID LINE | 1 |
| 30 | 42-00243-04 | O-RING, 1/2" | 1 |
| 31 | 34-60068-20 | SCREW, M6 X 20MM | 7 |
| 32 | 34-01197-10 | SCREW, CAP HXHD M4 X 10MM | 6 |
| 33 | 34-60095-24 | WASHER, LOCK M4 X 10MM | 6 |
| 34 | 68-60672-00 | BRACKET, FAN MOTOR | 1 |
| 35 | 54-00554-00 | FAN & MOTOR 12V, VARIABLE SPEED - INCLUDES: | 1 |
| 36 | 22-01613-08 | CONNECTOR 4 WAYS (MATES WITH 22-01613-10) | 1 |
| 37 | 08-60003-01 | HEAT EXCHANGER, (LSHX) | 1 |
| 38 | 81-60119-01 | TUBE ASSY, LSHX TO TXV - INCLUDES: | 1 |
| 39 | 40-60165-00 | FITTING, TXV, ORFS X 3/8" ODS | 1 |
| 40 | 40-60170-02 | NUT, FLARE, 3/8 | 1 |
| 41 | 42-60045-00 | INSULATION, TXV BULB | 0.1M |
| 42 | 14-60039-06 | VALVE, EXPANSION WITH ORIFICE - INCLUDES: | 1 |
| 43 | 14-60009-02 | ORIFICE, TXV, #2 | 1 |
| 44 | 58-01284-00 | TUBE, HEAT SHRINK | 1 |

6 QUENCH VALVE ASSEMBLY



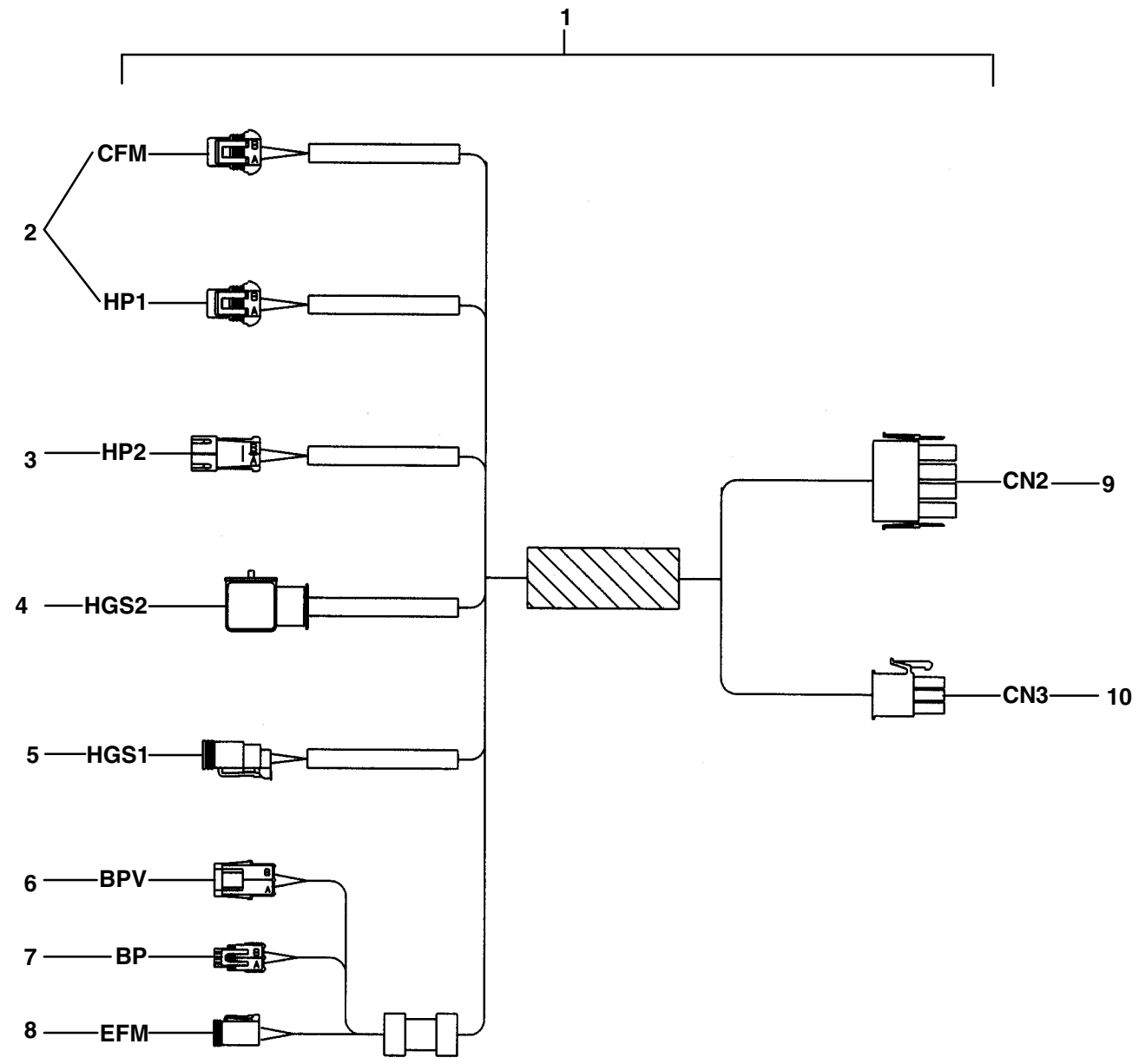
| 6 QUENCH VALVE ASSEMBLY | | | |
|--------------------------------|--------------------|---|------------|
| Item | Part Number | Description | Qty |
| 1 | 22-60419-00 | HARNESS, QUENCH VALVE, INCLUDES: | 1 |
| 2 | 22-01585-00SV | CONNECTOR 2 WAYS (MATES WITH 22-02392-00SV) | 1 |
| 3 | 22-60068-00 | CONNECTOR, COIL | 1 |
| 4 | 22-60405-00 | COIL, 12V | 1 |
| 5 | 14-00269-00 | VALVE,SOLENOID, QUENCH | 1 |
| 6 | 14-00269-10 | REPAIR KIT, SOLENOID VALVE | 1 |
| 7 | 12-00507-00 | THERMOSTAT, QUENCH VALVE | 1 |

7 ELECTRICAL



| 7 ELECTRICAL | | | |
|---------------------|--------------------|--------------------------------------|------------|
| Item | Part Number | Description | Qty |
| 1 | 68-70226-00 | BRACKET, LOGIC BOARD SUPPORT | 1 |
| 2 | 22-60720-02 | HARNESS, UNIT, SEE SECTION 7.1 | 1 |
| 3 | 34-60089-06 | NUT,LOCK, M6 | 5 |
| 4 | 12-00511-51 | LOGIC BOARD - INCLUDES: | 1 |
| 5 | 22-02336-05 | FUSE, 25A | 1 |
| 6 | 79-60409-00 | CAB COMMAND, ROAD ONLY, INCLUDES: | 1 |
| 7 | 22-60166-00 | BRACKET, CAB COMMAND | 1 |
| 8 | 22-60168-00 | CABLE ASSY, CAB COMMAND 10M (32 FT) | 1 |
| | 22-60168-01 | CABLE ASSY, CAB COMMAND 13M (42 FT) | 1 |
| | 22-60168-02 | CABLE ASSY, CAB COMMAND 16M (52 FT) | 1 |
| | 22-60168-03 | CABLE ASSY, CAB COMMAND 4.5M (15 FT) | 1 |

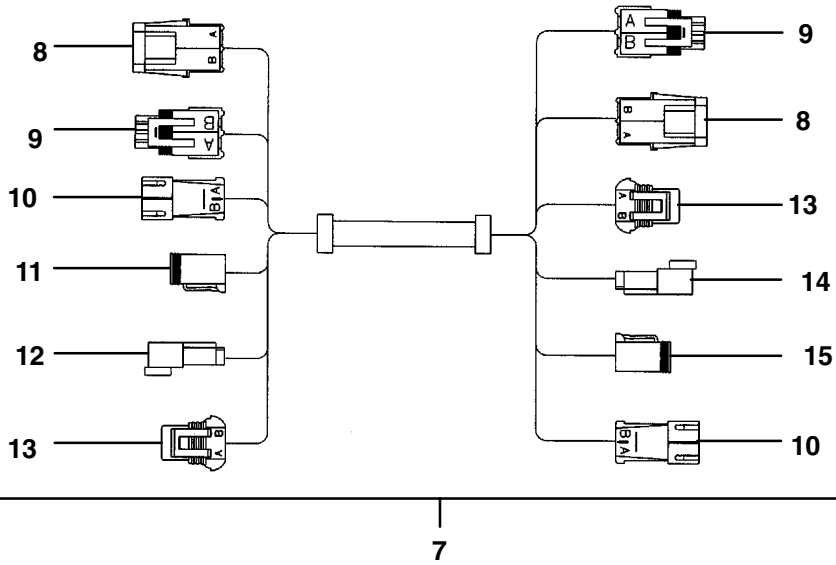
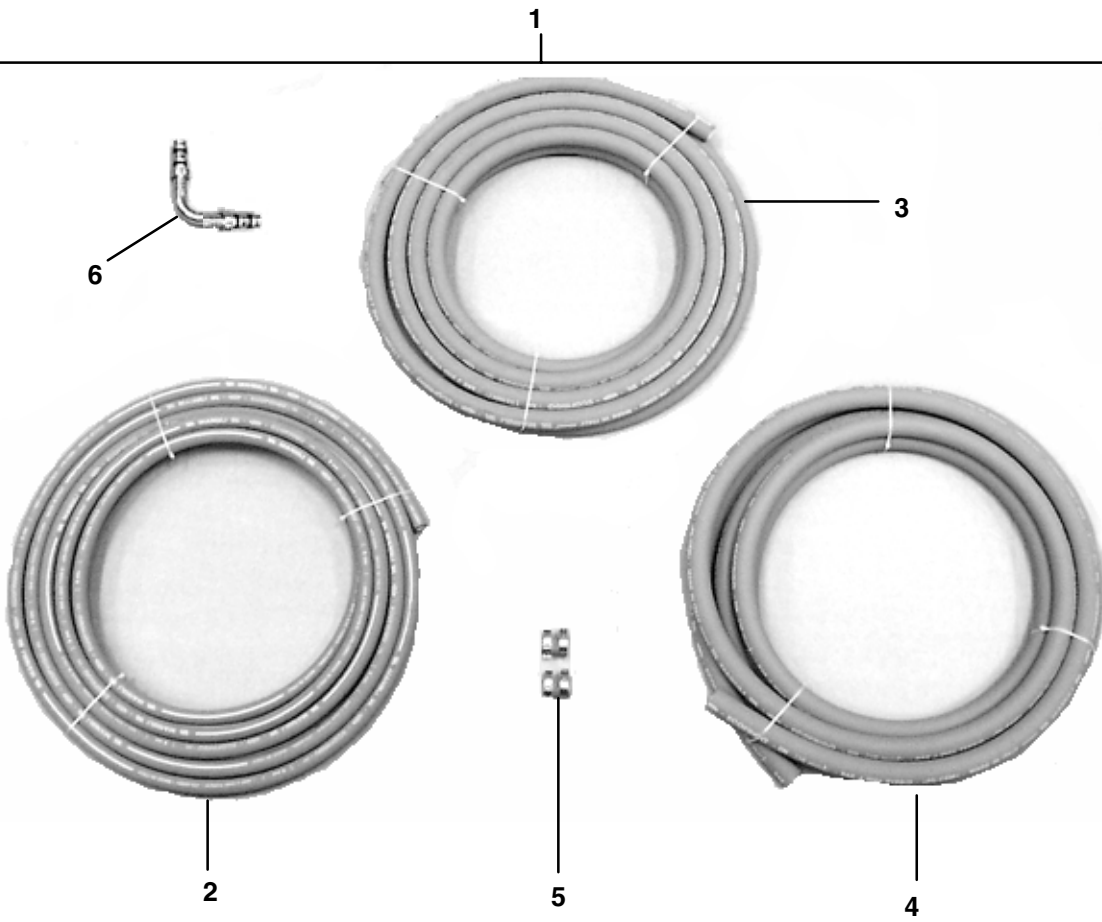
7.1 ELECTRICAL - HARNESS



7.1 ELECTRICAL - HARNESS

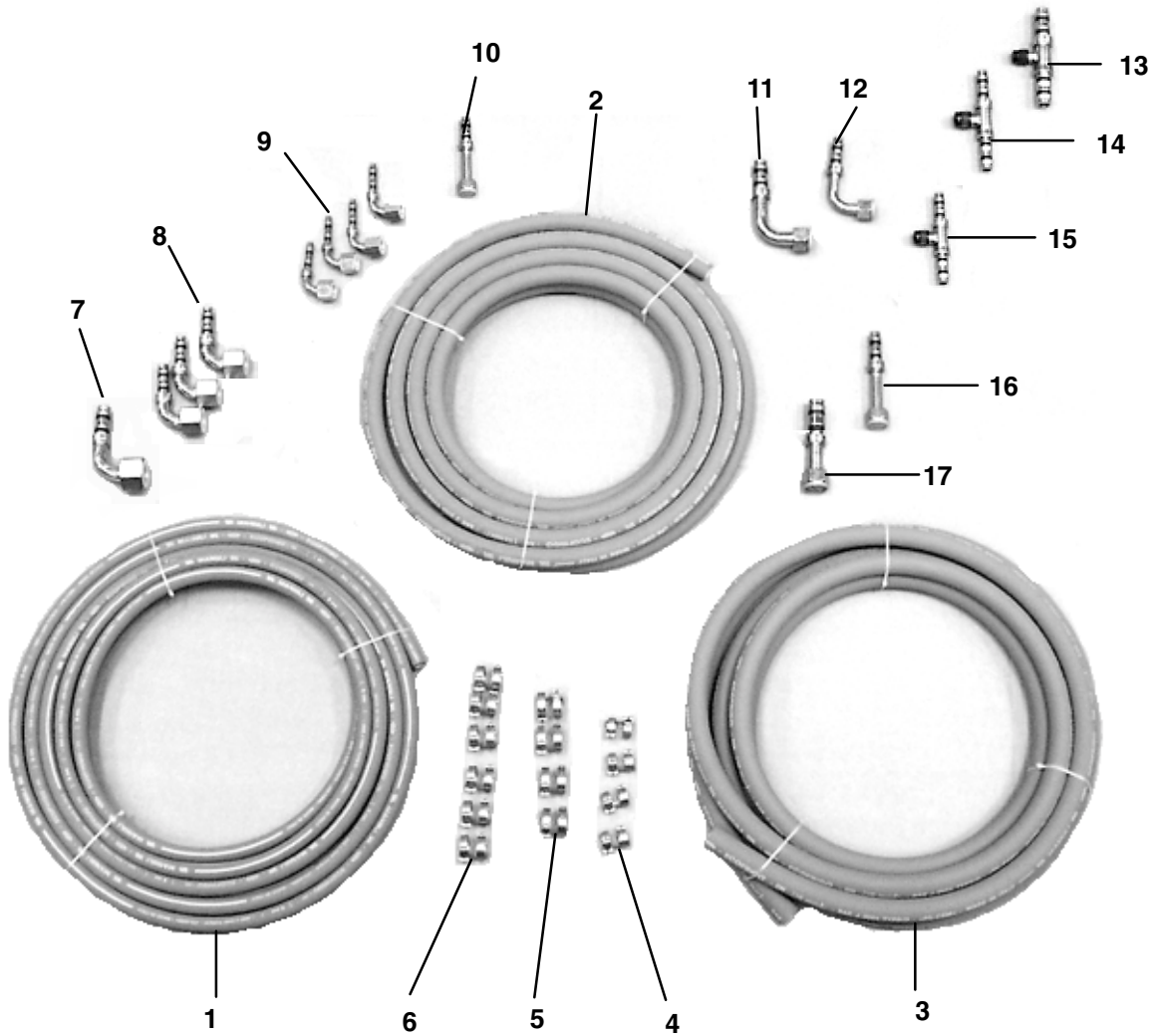
| Item | Part Number | Description | Qty |
|-------------|--------------------|---|------------|
| 1 | 22-60720-02 | HARNESS, UNIT - INCLUDES: | 1 |
| 2 | 22-50078-02SV | CONNECTOR 2 WAYS CFM HP1 (MATES WITH 22-50078-01SV) | 2 |
| 3 | 22-50078-01SV | CONNECTOR 2 WAYS HP2 (MATES WITH 22-50078-02SV) | 1 |
| 4 | 22-60068-00 | CONNECTOR, SOLENOID VALVE HGS2 | 1 |
| 5 | 22-01613-02 | CONNECTOR 2 WAYS HGS1 (MATES WITH 22-01613-00SV) | 1 |
| 6 | 22-02392-00SV | CONNECTOR 2 WAYS BPV (MATES WITH 22-01585-00SV) | 1 |
| 7 | 22-01585-00SV | CONNECTOR 2 WAYS BP (MATES WITH 22-02392-00SV) | 1 |
| 8 | 22-01613-10 | CONNECTOR 4 WAYS EFM (MATES WITH 22-01613-08) | 1 |
| 9 | 22-60300-10 | CONNECTOR 12 WAYS CN2 (MATES WITH 22-60300-11) | 1 |
| 10 | 22-60275-15 | CONNECTOR 9 WAYS CN3 (MATES WITH 22-60275-25) | 1 |

8 REMOTE EVAPORATOR EXTENSION KIT



| 8 REMOTE EVAPORATOR EXTENSION KIT | | | |
|--|--------------------|--|------------|
| Item | Part Number | Description | Qty |
| 1 | 76-60892-00 | REFRIG. & ELECTRICAL EXTENSION KIT (2,5M) - INCLUDES: | 1 |
| | 76-60892-01 | REFRIG. & ELECTRICAL EXTENSION KIT (6M) - INCLUDES: | 1 |
| 2 | 58-60115-02F50 | HOSE, #6 (SOLD IN 50' ROLLS) | 12/6M |
| 3 | 58-60115-03F50 | HOSE, #8 (SOLD IN 50' ROLLS) | 6/3M |
| 4 | 58-60115-04F50 | HOSE, #10 (SOLD IN 50' ROLLS) | 6/3M |
| 5 | 34-60019-04 | CLAMP, #10 | 2 |
| 6 | 40-60137-04 | FITTING, HOSE 90_, #10 | 1 |
| 7 | 22-60473-00 | HARNESS, EVAP SPLIT (2,5M) - INCLUDES: | 1 |
| | 22-60473-01 | HARNESS, EVAP SPLIT (6M) - INCLUDES: | 1 |
| 8 | 22-02392-00SV | BP BPV CONNECTOR 2 WAYS (MATES WITH 22-01585-00SV) | 2 |
| 9 | 22-01585-00SV | BP BPV CONNECTOR 2 WAYS (MATES WITH 22-02392-00SV) | 2 |
| 10 | 22-50078-01SV | DTT RAS CONNECTOR 2W (MATES WITH 22-50078-02SV) | 2 |
| 11 | 22-01613-02 | DWR CONNECTOR 2W (MATES WITH 22-01613-00) | 1 |
| 12 | 22-01613-08 | EFM CONNECTOR 4W (MATES WITH 22-01613-10) | 1 |
| 13 | 22-50078-02SV | DTT RAS CONNECTOR 2W (MATES WITH 22-50078-01SV) | 2 |
| 14 | 22-01613-00 | DWR CONNECTOR 2W (MATES WITH 22-01613-00) | 1 |
| 15 | 22-01613-10 | EFM CONNECTOR 4W (MATES WITH 22-01613-08) | 1 |

9 REFRIGERATION HOSES AND FITTINGS

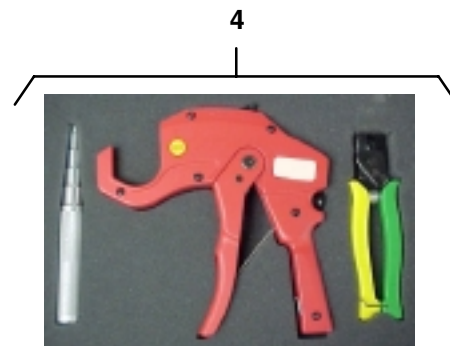
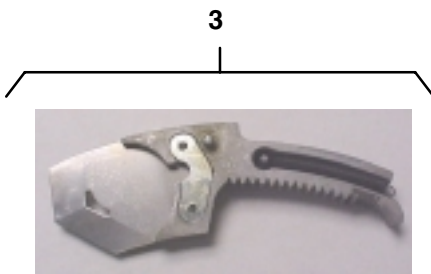
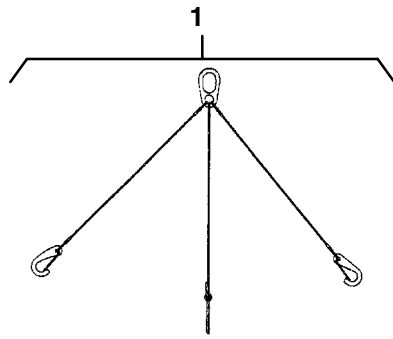


| 9 REFRIGERATION HOSES AND FITTINGS | | | |
|---|--------------------|--|------------|
| Item | Part Number | Description | Qty |
| 1 | 58-60115-02F50 | HOSE, REFRIGERANT, # 6 (SOLD IN 50FT ROLL ONLY) | A/R |
| 2 | 58-60115-03F50 | HOSE, REFRIGERANT, # 8 (SOLD IN 50FT ROLL ONLY) | A/R |
| 3 | 58-60115-04F50 | HOSE, REFRIGERANT, # 10 (SOLD IN 50FT ROLL ONLY) | A/R |
| 4 | 34-60019-02 | CLAMP, QUICK-CLICK, # 6 (SEE NOTE 1) | 4/6 |
| 5 | 34-60019-04 | CLAMP, QUICK-CLICK, # 10 | 4 |
| 6 | 34-60019-03 | CLAMP, QUICK-CLICK, # 8 | 6 |
| 7 | 40-60048-04 | ELBOW,90°,ORS, # 10 | 1 |
| 8 | 40-60048-03 | ELBOW,90°,ORS, # 8 | 3 |
| 9 | 40-60048-02 | ELBOW,90°,ORS, # 6 | 4 |
| 10 | 40-60047-02 | FITTING, STRAIGHT,ORS, # 6 | 1 |
| 11 | 40-60061-04 | ELBOW,90°,ORS, # 10 | 1 |
| 12 | 40-60061-03 | ELBOW,90°,ORS, # 8 | 1 |
| 13 | 40-60058-04 | SERVICE PORT, # 10 | 1 |
| 14 | 40-60059-03 | SERVICE PORT, # 8 | 1 |
| 15 | 40-60059-02 | SERVICE PORT, # 6 (SEE NOTE 1) | 1 |
| 16 | 40-60060-03 | FITTING, STRAIGHT,ORS, # 8 | 1 |
| 17 | 40-60060-04 | FITTING, STRAIGHT,ORS, # 10 | 1 |

Note 1: One #6 service port and two #6 quick-click clamps are required if receiver king valve does not have service fitting.

Note 2: If your application requires fittings other than what's listed above, please refer to the 62-11054 Hose and Fittings Parts List Manual.

10 SERVICE TOOLS



| Item | Part Number | Description | Qty |
|------|-------------|-----------------------------------|-----|
| 1 | 07-60086-00 | LIFTING DEVICE | 1 |
| 2 | 07-00440-00 | CAB COMMAND CABLE DIAGNOSTIC TOOL | 1 |
| 3 | 07-00383-20 | BLADE, HOSE CUTTER | 1 |
| 4 | 07-60009-00 | TOOL KIT FOR REFRIGERANT HOSES | 1 |
| NS | 76-61133-00 | TESTER, LOGIC BOARD | 1 |

| 11 MOUNTING HARDWARE | | |
|-----------------------------|---------------------------------|------------|
| Part Number | Description | Qty |
| 42-00243-10 | O-RING, 0.31 ID X 0.44 OD | 2 |
| 42-00243-09 | O-RING, 0.38 ID X 0.50 OD | 9 |
| 42-00243-04 | O-RING, 0.50 ID X 0.62 OD | 6 |
| 42-00243-03 | O-RING, 0.62 ID X 0.75 OD | 7 |
| 42-00243-11 | O-RING, 0.75 ID X 0.88 OD | 1 |
| 34-60014-04 | BOLT,T-HEAD,M12 X 140LG. | 4 |
| 22-02336-16 | FUSE, 40 AMP | 1 |
| 22-50078-61SV | KIT, MAXI FUSE HOLDER AND COVER | 1 |
| 22-50078-61B | SCREW, MAXI FUSE HOLDER | 2 |
| 22-50078-61C | TERMINAL, RING, MAXI FUSE | 2 |
| 44-60061-00 | BASE, TY-WRAP | 10 |
| 48-60178-02 | SPACER, 12 ID 40 OD 4 THK | 4 |
| 34-01184-62 | NUT,LOCK, M12 NYLOCK | 4 |
| 22-60328-00 | TERMINAL, 0.5 TO 1MM | 1 |
| 22-60251-00 | SPLICE, SHRINK 0.5 TO 1 | 1 |
| 22-60313-02 | FUSE HOLDER, ATO TYPE, WITH CAP | 1 |
| 22-02336-10 | FUSE, 1 AMP | 1 |
| 58-01284-02 | HEAT SHRINK, 1.38"L | 4 |
| 34-60147-00 | SCREW,CAP HXHD M12X45 FLANGE | 4 |
| 58-60265-01 | TEE, DRAIN, 5/16 X 5/16 X 5/16 | 1 |
| 76-61072-00 | MUFFLER KIT, DISCHARGE LINE | 1 |

PART NUMBER INDEX

| PART NO. | PAGE NO. | PART NO. | PAGE NO. | PART NO. | PAGE NO |
|---------------|------------------|---------------|------------------|-------------|---------|
| 07-00383-20 | 24 | 22-50078-01SK | 7 | 34-60095-27 | 13 |
| 07-00440-00 | 24 | 22-50078-01SV | 2, 13, 19, 21 | 34-60147-00 | 25 |
| 07-60009-00 | 24 | 22-50078-02SK | 7 | 34-60198-16 | 11 |
| 07-60086-00 | 24 | 22-50078-02SV | 2, 19, 21 | 34-60198-25 | 7 |
| 08-60003-01 | 1, 13 | 22-50078-61B | 25 | 40-60007-01 | 2 |
| 08-60163-00 | 7 | 22-50078-61C | 25 | 40-60007-02 | 2, 13 |
| 12-00256-21 | 2, 13 | 22-50078-61SV | 1, 25 | 40-60007-03 | 2 |
| 12-00507-00 | 2, 15 | 22-60068-00 | 2, 15, 19 | 40-60007-04 | 2 |
| 12-00511-51 | 17 | 22-60166-00 | 2, 17 | 40-60007-11 | 2 |
| 12-00512-21 | 2, 11 | 22-60168-00 | 2, 17 | 40-60008-01 | 2 |
| 12-60015-04 | 2, 13 | 22-60168-01 | 2, 17 | 40-60008-02 | 7 |
| 12-60032-02 | 2, 7 | 22-60168-02 | 2, 17 | 40-60008-02 | 2 |
| 12-60032-03 | 2, 7 | 22-60168-03 | 2, 17 | 40-60008-03 | 2 |
| 14-00269-00 | 1, 15 | 22-60251-00 | 25 | 40-60008-04 | 2 |
| 14-00269-10 | 1, 15 | 22-60268-00 | 1, 7 | 40-60008-07 | 2 |
| 14-00276-10 | 1, 7 | 22-60275-12 | 2, 11 | 40-60009-01 | 2 |
| 14-00286-00 | 1, 13 | 22-60275-15 | 19 | 40-60009-02 | 2, 7 |
| 14-00326-04 | 1, 7 | 22-60300-10 | 19 | 40-60009-03 | 2 |
| 14-00332-00 | 1, 7 | 22-60313-02 | 1, 25 | 40-60009-04 | 2 |
| 14-01092-06 | 1, 7 | 22-60328-00 | 25 | 40-60009-06 | 2 |
| 14-60009-02 | 1, 13 | 22-60405-00 | 1, 15 | 40-60047-02 | 23 |
| 14-60014-05 | 1, 13 | 22-60419-00 | 2, 15 | 40-60048-02 | 23 |
| 14-60039-06 | 1, 13 | 22-60473-00 | 2, 21 | 40-60048-03 | 23 |
| 14-60055-00 | 13 | 22-60473-01 | 2 | 40-60048-04 | 23 |
| 14-60062-06 | 1 | 22-60590-00 | 1, 7 | 40-60058-04 | 23 |
| 14-60062-06 | 7 | 22-60720-02 | 2, 17, 19 | 40-60059-02 | 23 |
| 14-60062-10 | 1, 7 | 34-00373-50 | 11 | 40-60059-03 | 23 |
| 17-31252-00 | 1 | 34-01152-20 | 13 | 40-60060-03 | 23 |
| 18-00081-00 | 1 | 34-01184-05 | 13 | 40-60060-04 | 23 |
| 18-00081-70 | 1 | 34-01184-62 | 25 | 40-60061-03 | 23 |
| 18-00081-80 | 1 | 34-01197-10 | 13 | 40-60061-04 | 23 |
| 22-01585-00SV | 2, 15, 19, 21 | 34-60000-16 | 13 | 40-60137-04 | 21 |
| 22-01613-00 | 21 | 34-60014-04 | 25 | 40-60159-00 | 9, 13 |
| 22-01613-02 | 19, 21 | 34-60019-02 | 23 | 40-60165-00 | 13 |
| 22-01613-08 | 13, 21 | 34-60019-03 | 23 | 40-60169-02 | 13 |
| 22-01613-10 | 19, 21 | 34-60019-04 | 21, 23 | 40-60169-03 | 9, 13 |
| 22-02336-05 | 1, 17 | 34-60044-00 | 5 | 40-60169-04 | 13 |
| 22-02336-10 | 1, 25 | 34-60068-20 | 7, 9, 13 | 40-60170-02 | 13 |
| 22-02336-16 | 1, 25 | 34-60089-06 | 17 | 40-60224-00 | 7 |
| 22-02392-00SV | 2, 13, 19, 21 | 34-60095-24 | 13 | 42-00243-00 | 2 |
| | | 34-60095-25 | 13 | | |

PART NUMBER INDEX

| PART NO. | PAGE NO. | PART NO. | PAGE NO. | PART NO. | PAGE NO |
|----------------|--------------------|-------------|----------|-------------|-------------|
| 42-00243-03 | 2, 13, 25 | 58-60265-01 | 25 | 68-60843-00 | 7 |
| 42-00243-04 | 2, 9, 13, 25 | 58-60298-02 | 11 | 68-70226-00 | 17 |
| 42-00243-09 | 1, 2, 7, 13, 25 | 58-60298-04 | 11 | 73-60050-00 | 5 |
| 42-00243-10 | 2, 25 | 58-60334-00 | 11 | 73-60078-00 | 5 |
| 42-00243-11 | 25 | 58-60335-00 | 11 | 76-60868-00 | 2 |
| 42-60042-01 | 11 | 58-60336-00 | 11 | 76-60869-00 | 2 |
| 42-60045-00 | 13 | 58-60346-01 | 5 | 76-60891-00 | 2, 11 |
| 44-60009-04 | 7 | 58-60347-00 | 5 | 76-60892-00 | 2, 21 |
| 44-60041-14 | 13 | 58-60399-00 | 11 | 76-60892-01 | 2, 21 |
| 44-60044-13 | 13 | 58-60400-04 | 11 | 76-60974-01 | 2 |
| 44-60061-00 | 25 | 58-60401-00 | 11 | 76-61072-00 | 1, 2, 7, 25 |
| 48-60178-02 | 25 | 58-60485-00 | 11 | 76-61133-00 | 24 |
| 50-60135-00 | 1 | 58-60662-00 | 5 | 79-60337-00 | 13 |
| 54-00554-00 | 13 | 62-04069-02 | 5 | 79-60409-00 | 2, 17 |
| 54-00611-00 | 7 | 62-60063-00 | 7, 11 | 81-60119-01 | 13 |
| 58-01284-00 | 13 | 62-60390-01 | 5 | 81-60120-00 | 13 |
| 58-01284-02 | 25 | 62-60390-02 | 11 | 81-60121-00 | 13 |
| 58-60115-02F50 | 2, 21, 23 | 62-60774-00 | 11 | 81-60306-00 | 13 |
| 58-60115-03F50 | 2, 21, 23 | 62-60870-00 | 11 | 81-60507-00 | 13 |
| 58-60115-04F50 | 2, 21, 23 | 62-61446-01 | 11 | 81-60547-00 | 9 |
| 58-60115-05F50 | 2 | 65-60061-00 | 7 | 82-60151-00 | 7 |
| | | 68-60651-00 | 13 | 86-61038-00 | 5 |
| | | 68-60672-00 | 13 | | |

North America
Carrier Transicold
700 Olympic Drive
Athens, GA 30601 USA
Tel: 1-706-357-7223
Fax: 1-706-355-5435

**Central America
and Mexico**
Ejercito Nacional No. 418
Piso 9, Torre Yumal
Col. Chapultepec Morales
11570 Mexico, D.F.
Tel: (5255) 9126.0300
Fax: (5255) 9126.0373



Carrier

A United Technologies Company

Carrier Transicold Division,
Carrier Corporation
Truck/Trailer Products Group
P.O. Box 4805
Syracuse, N.Y. 13221 U.S.A

www.carrier.transicold.com



A member of the United Technologies Corporation family. Stock symbol UTX
©2005 Carrier Corporation D Printed in U. S. A. 0205