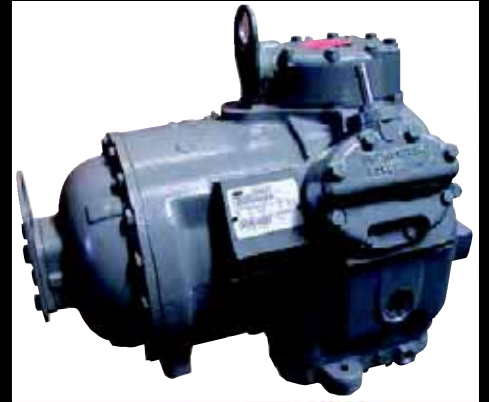
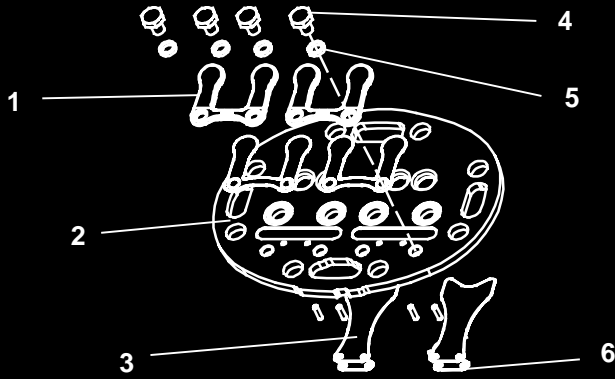




Compressor



SERVICE PARTS LIST
for
**MODEL 06D TWIN PORT
COMPRESSOR**



TRANSICOLD

SERVICE PARTS LIST

MODEL 06D TWIN PORT

COMPRESSOR

TABLE OF CONTENTS

INTRODUCTION	i
MODEL CHART	i
ORDERING INSTRUCTIONS	i
GENERAL NOTES	i
COMPRESSOR OIL CHART	i
1 COMPRESSOR ASSEMBLY	1
1.1 Motor Body Group	2
2 COMPRESSOR IDENTITY	3
3 TERMINALS AND JUNCTION BOX	4
4 COMPRESSOR BASE GROUP	6
5 BEARING HEAD AND OIL PUMP	7
6 CRANKSHAFT, ROD AND PISTON GROUP	8
7 UNLOADER GROUP	9
8 VALVEPLATE GROUP	10
9 GASKETS	11
10 COMPRESSOR - SERVICE VALVE GROUP	12
10.1 Suction - Service Valve	12
10.2 Discharge - Service Valve	13
PART NUMBER INDEX	Index-1

INTRODUCTION

This parts list identifies service replacement parts for the 06D Twin Port Compressors listed in the Model Chart below. To find replacement parts, determine the major group in which the replacement parts are located (refer to the Table of Contents) and turn to the appropriate page for the illustrated parts breakdown of the replacement parts. A detailed list of the tools needed to service the 06D Twin Port Compressor may be found in the Service Tool List catalog 62-03213.

MODEL CHART

06D Twin Port Compressor Part Number	Carlyle/CSM Manufacturer's Number	Replaces 06D Twin Port Compressor Part Number	Compressor Configuration	Application
18-10138-101	6DPQJC4V8P3MAE	18-10138-00	41 CFM, 1 Crankcase Sight Glass, 2 Electric Unloaders, No Oil	Vector 5100, 6500, 6600
18-10138-102	6DUQJC4E8P3MAE	-	41 CFM, 1 Crankcase Sight Glass, 2 Electric Unloaders, Front Terminal Plate, No Oil	Vector 5100, 6500, 6600

ORDERING INSTRUCTIONS

All orders and inquiries for parts must include: Unit Serial Number, Part Number, description of part as shown on list and quantity required. Address all correspondence for parts to the following address:

CARRIER TRANSICOLD DIVISION
Replacement Components Group, TR-20
P.O. Box 4805, Syracuse, NY 13221.
or
Fax to: (315) 432-3778

GENERAL NOTES

To find replacement parts consult table of contents, and turn to the appropriate page for the illustrated breakdown of replacement parts. The following letter designations are used to classify parts throughout this list.

A/R *As Required*

NSA *Non-Stock Assembly* - order components listed under the assembly.

NSS *Not Sold Separately* - order next higher assembly or kit.

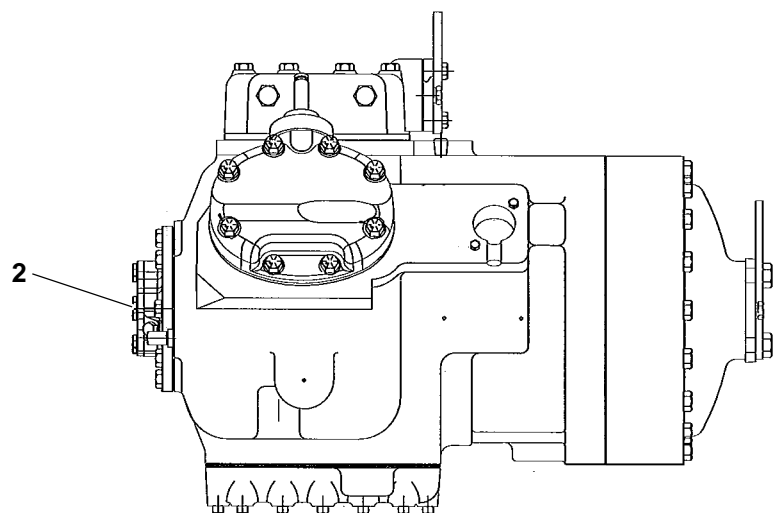
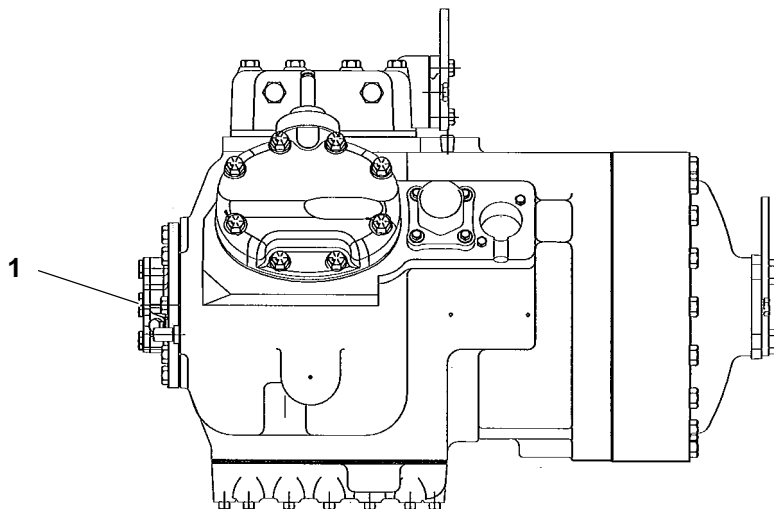
COMPRESSOR OIL CHART

Part Number	Oil Type	Viscosity	Refrigerants	Application	Packaging
07-00317-00PK6	Polyolester (POE)	68	R-134a, R-404a	Truck, Trailer, and Large Bus	1 Gallon x 6

NOTE

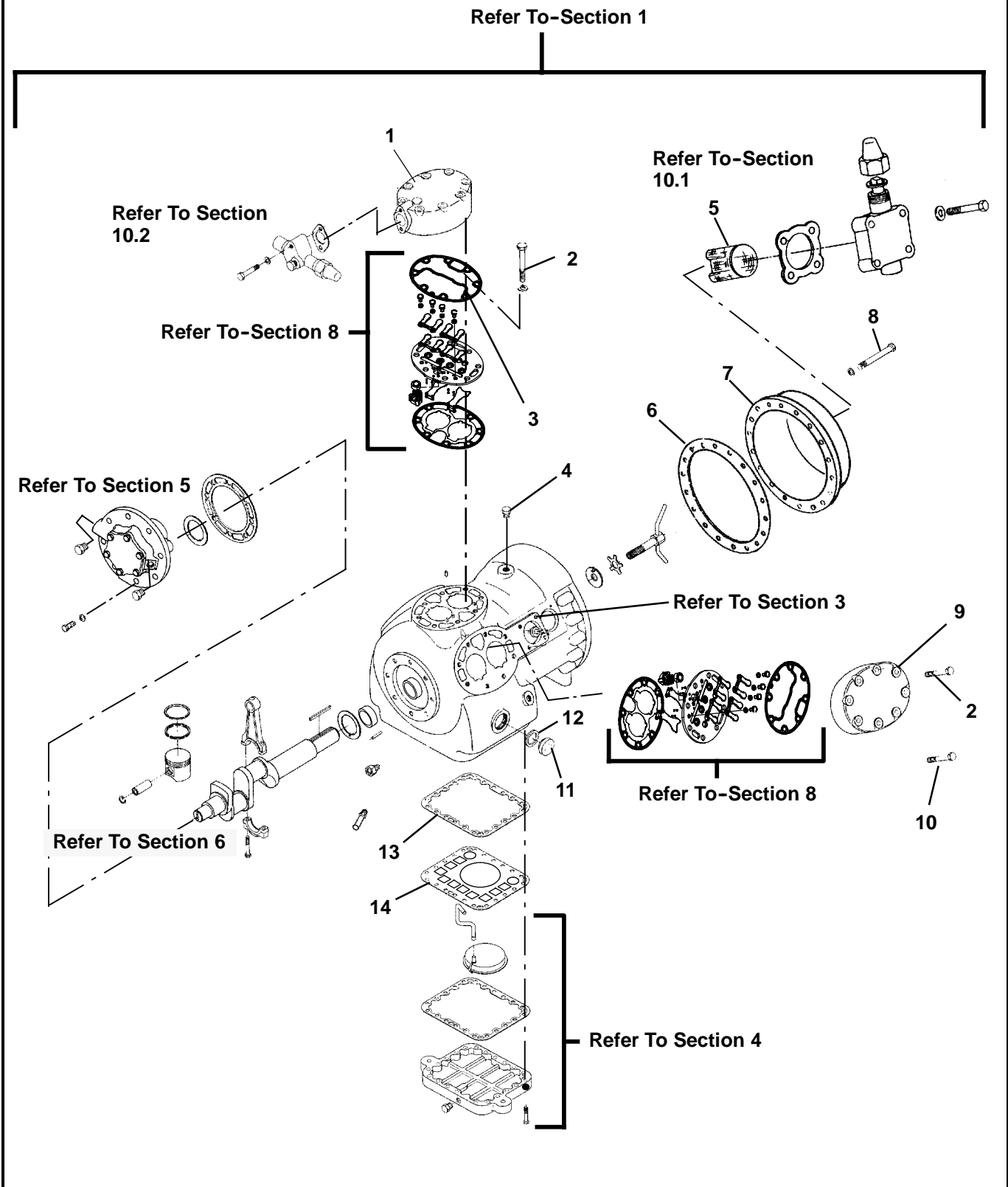
Refer to the unit operation and service manual for the correct procedure for checking compressor oil level.

1 COMPRESSOR IDENTITY



Item	Part Number	Description	Qty
1	18-10138-101	Compressor, 06D, 41CFM, 1 Sight Glass (Vector 5100, 6500, 6600) (Terminal Plate Location To The Rear When Installed)	1
2	18-10138-102	Compressor, 06D, 41CFM, 1 Sight Glass (Vector 5100, 6500, 6600) (Terminal Plate Location To The Front When Installed)	1

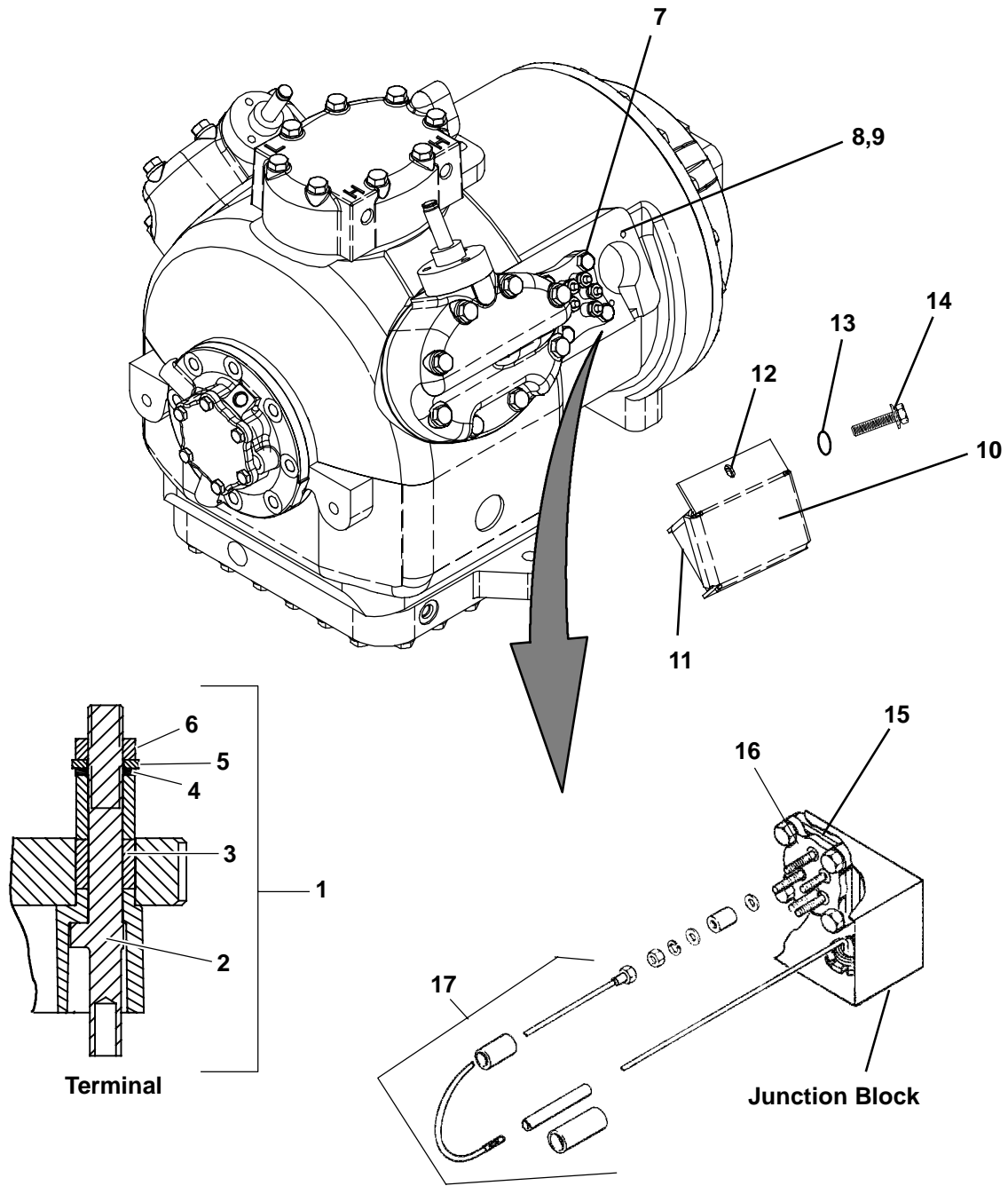
2 COMPRESSOR ASSEMBLY



2 COMPRESSOR ASSEMBLY (Continued)**2.1 Motor Body Group**

1	17-44791-00	Cylinder Head, Center, Reversed Discharge, Vector TwinPort	1
2	17-40018-05	Screw, Hex Head, 3/8-16 X 3.00 Inches Long, SAE Grade 8 (Center Head And Side Head Long Bolts)	16
3	17-44747-00	Gasket, Cylinder Head, All Banks, Coated Steel	3
4	CA63AA051	Plug, Pipe, 1/4-18 NPT (package of 20)	1
5	17-44005-00	Strainer, Suction	1
6	17-44136-00	Gasket, Motor End Cover, Coated Steel	1
7	17-55034-00	Cover, Motor End (Vector 5100, 6500, 6600)	1
8	AA06GR262	Screw, Hex Head, 7/16-14 X 1.25 Inches Long, SAE Grade 8	18
9	17-44790-00	Cylinder Head, Side, Shaved, HGBP Unloader, TwinPort	2
10	17-44009-05	Screw, Hex Head, 3/8-16 X 1.50 Inches Long, SAE Grade 8 (Side Head Short Bolts)	8
11	17-10218-00	Sightglass Package, Oil Level - Includes:	1
12	17-44021-00	Gasket, Sightglass, Coated Steel	1
13	17-44129-00	Gasket, Bottom Plate, Coated Steel	1
14	17-21063-00	Hold-Down Plate, Oil Screen	1

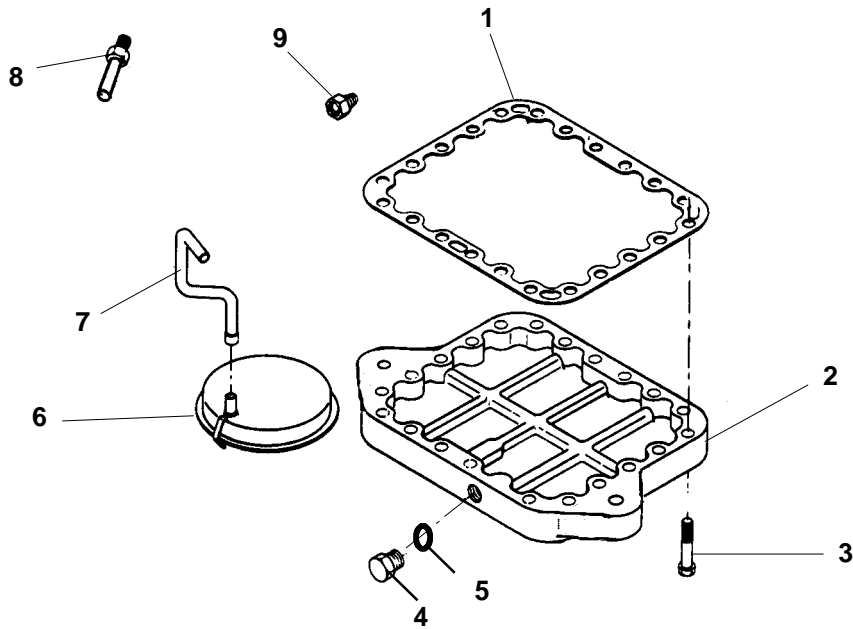
3 TERMINALS AND JUNCTION BOX



3 TERMINALS AND JUNCTION BOX (Continued)

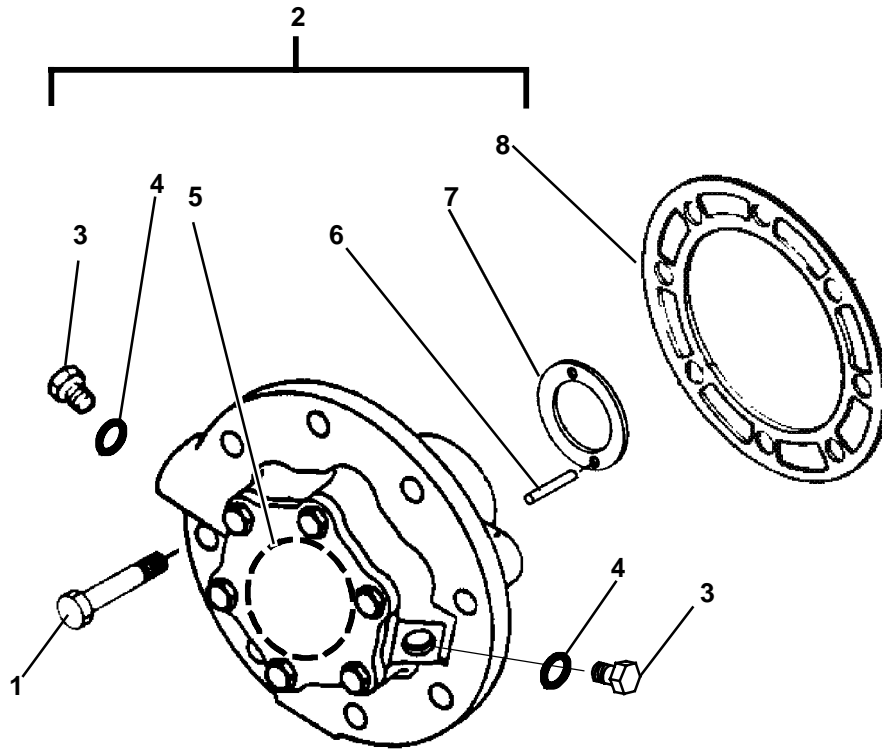
Item	Part Number	Description	Qty
1	18-00069-50	Terminal Repair Kit, Vector 06D - Includes:	1
2	NSS	Terminal Pin Assembly	2
3	NSS	Terminal Pin Bushing	2
4	NSS	1/4 Inch Flat Washer	2
5	NSS	1/4 Inch Lock Washer	2
6	NSS	1/4 Inch Hex Nut	2
7	17-10825-00	Screw, Hex Head, 5/16-18 X 1 Inches Long, SAE Grade 8	4
8	34-00670-08	Screw, Round Head, #10-32 X 1/2 Inch Long	2
9	34-00372-39	Washer, Lock, Ext Tooth, #10	2
10	68-12988-00	Cover, Junction Box	1
11	86-04298-00	Box Assembly, Junction Box	1
12	34-06051-104	Rivnut, Steel, M6	1
13	34-60095-46	Washer, Lock, M6	1
14	34-60068-20	Screw, M6 X 20MM Long	1
15	17-44128-00	Gasket, Terminal Plate, Plated Steel	1
16	17-40093-06	Terminal Plate, Compressor (5 Terminals)	1
17	76-50192-00	Wiring Kit, Terminal Plate	1

4 COMPRESSOR BASE GROUP



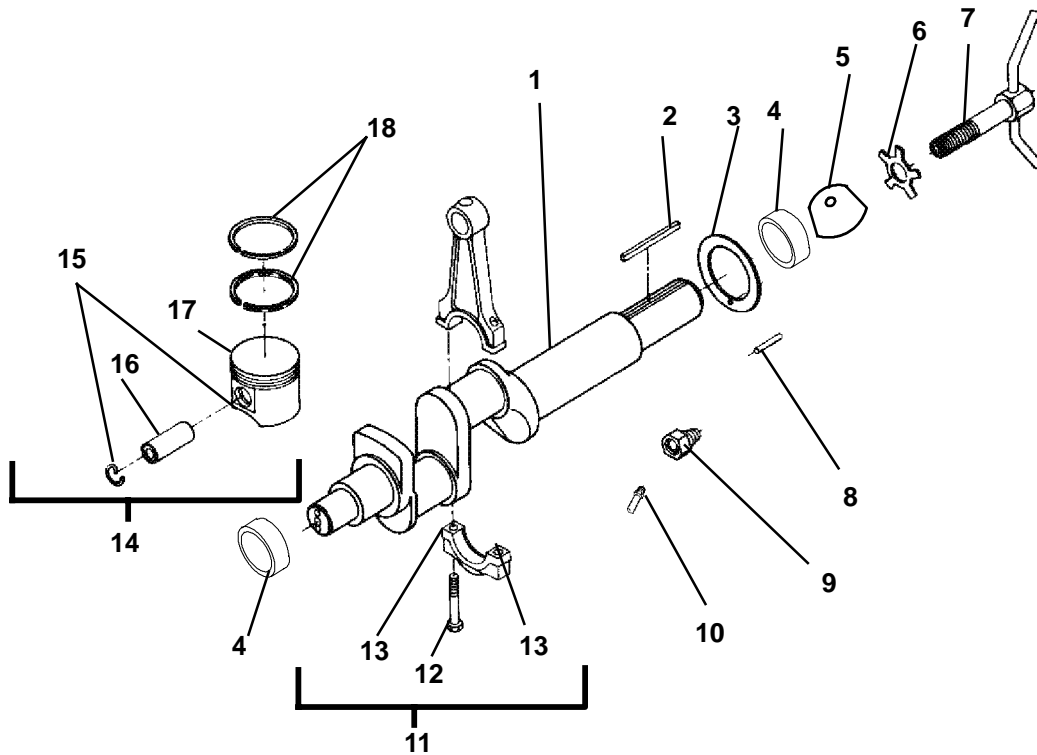
Item	Part Number	Description	Qty
1	17-44129-00	Gasket, Bottom Plate, Coated Steel	1
2	17-44758-00	Plate, Bottom	1
3	17-40034-05	Screw, Hex Head, 3/8-16 X 2.00 Inches Long, SAE Grade 8	22
4	17-44037-00	Plug, O-Ring, Oil Drain, 7/16-20 - Includes:	1
5	42-00243-07	O-Ring	1
6	17-40020-00	Screen Assembly, Oil Filter	1
7	17-21062-00	Tube, Oil Screen	1
8	17-44763-00	Orifice, Oil Relief	1
9	17-40042-00	Check Valve, Oil Return	1

5 BEARING HEAD AND OIL PUMP



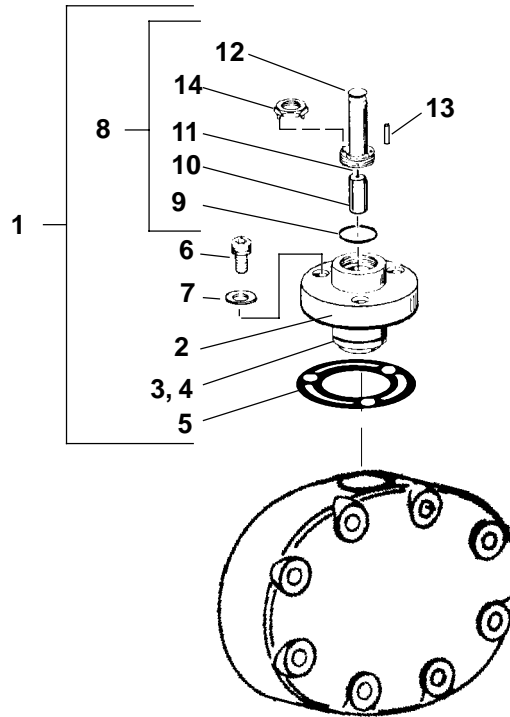
Item	Part Number	Description	Qty
1	17-40037-05	Screw, Hex Head, 3/8-16 X 1.00 Inch Long, SAE Grade 8	8
2	17-44137-00	Oil Pump And Bearing Head Assembly - Includes:	1
3	17-44037-00	Plug, O-Ring, 7/16-20 - Includes:	2
4	42-00243-07	O-Ring	1
5	17-44139-00	O-Ring, Pump Cover Plate	1
6	17-40204-00	Pin, Roll, 1/8 X 1/2 Inch	2
7	17-55009-01	Thrustwasher, Pump End	1
8	17-40078-05	Gasket, Bearing Head (Fiber)	1
	17-44022-00	Gasket, Bearing Head (Coated Steel)	1

6 CRANKSHAFT, ROD AND PISTON GROUP



Item	Part Number	Description	Qty
1	17-40413-00	Crankshaft, 06D, 41CFM	1
2	AW01DA096	Key, Rotor Drive	1
3	17-40050-00	Thrustwasher, Motor End	1
4	17-40025-00	Bushing Kit, Motor And Pump End Bushings	1
5	6D68-1621	Counterbalance, Motor End	1
6	17-21076-00	Star Washer, Rotor	1
7	17-21077-00	Tube Assembly, Equalizer	1
8	17-40048-00	Pin, Spiral, 5/32 X 5/8 Inch Long	2
9	17-40042-00	Check Valve Assembly, Oil Return	1
10	17-44763-00	Orifice, Oil Relief	1
11	17-40056-02	Connecting Rod And Cap Assembly, Standard - Includes:	6
	17-55023-00	Connecting Rod And Cap Assembly, .010 Inch Oversize - Includes:	
12	17-55008-00	Screw Cap, Special	2
13	17-40057-00	Pin, Dowel	2
14	17-44072-00	Piston And Pin Package, Standard - Includes:	6
	17-44073-00	Piston And Pin Package, .020 Inch Oversize - Includes:	
15	17-40053-00	Retainer Wrist Pin	2
16	NSS	Wrist Pin, Piston	1
17	NSS	Piston	1
18	17-40055-00	Ring, Compression, Standard	12
	17-55025-00	Ring, Compression, .020 Inch Oversize	

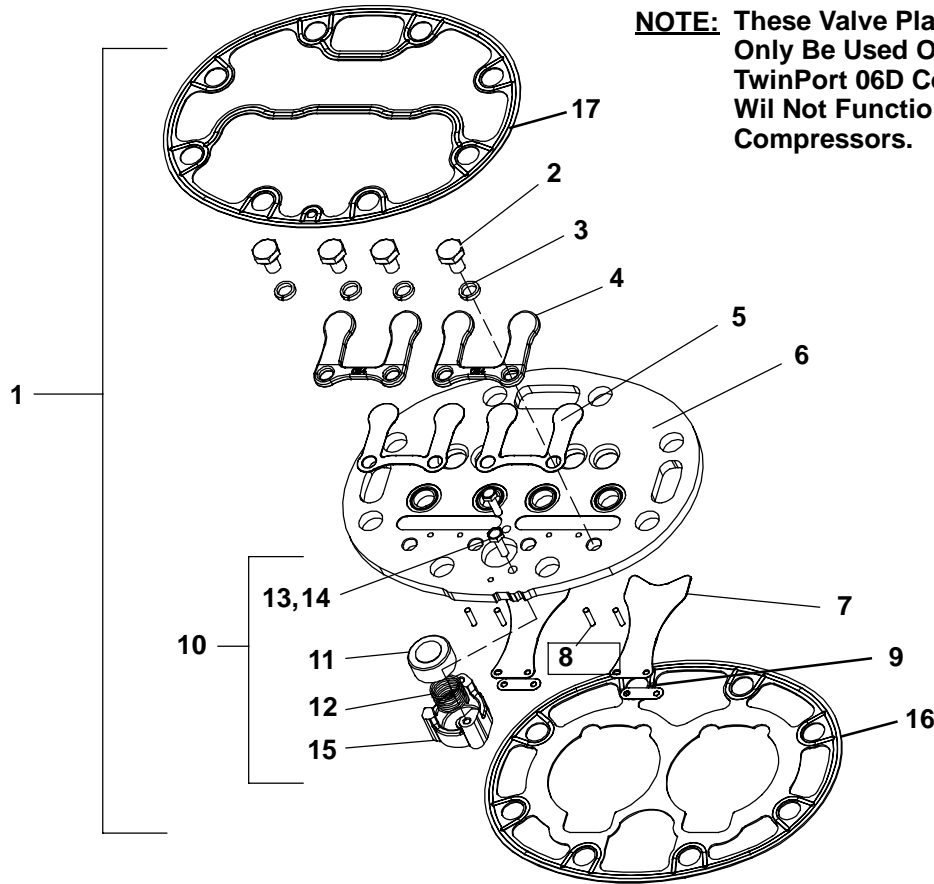
7 UNLOADER GROUP



Item	Part Number	Description	Qty
1	17-40417-00	Valve Assembly (Electric) - Includes:	A/R
2	NSS	Body Assembly, Valve	1
3	17-40409-00	Piston, Unloader - Includes:	1
4	17-55010-00	Ring, Piston	1
5	17-40104-07	Gasket, Unloader Valve	1
6	17-40111-00	Screw, Socket Head, 1/4-28 x 3/4 Inch Long	1
7	17-40104-20	Gasket, Socket Head Screw, 1/4 Inch	1
8	17-40418-00	Kit, Valve Stem Repair (For 17-40417-00) - Includes:	A/R
9	42-00243-03	Gasket, O-ring	1
10	NSS	Plunger Assembly	1
11	NSS	Spring, Plunger	1
12	NSS	Enclosing Tube	1
13	34-06026-00	Pin, Unloader Coil Retainer	1
14	NSS	Tool, Valve Stem Installation/Removal	1

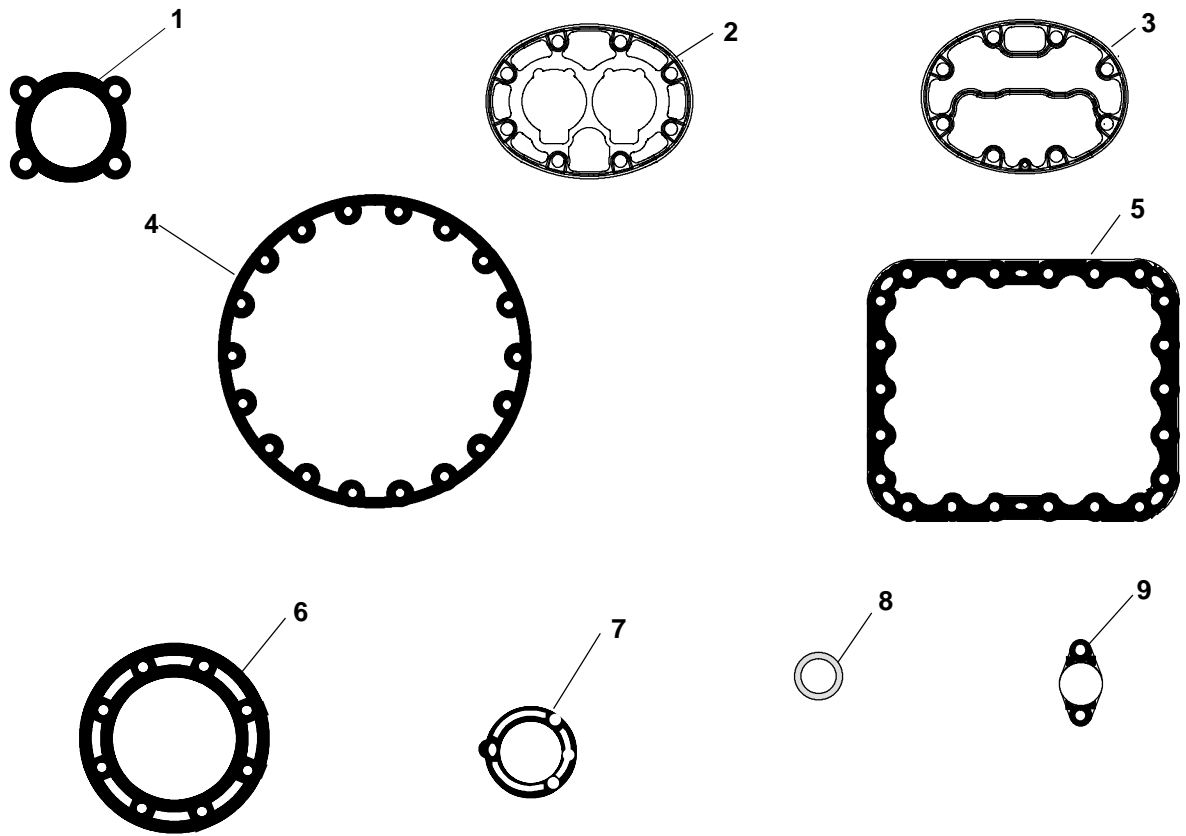
8 VALVEPLATE GROUP

NOTE: These Valve Plate Assemblies Can Only Be Used On The VECTOR TwinPort 06D Compressor. They Will Not Function In 3-Port 06D Compressors.



Item	Part Number	Description	Qty
1	17-44742-00	Valve Plate Assembly, Twin Port, Flat, Narrow Seat, Center Bank - Includes:	1
	17-44744-00	Valve Plate Assembly, Twin Port, Flat, Narrow Seat, Side Bank With Hot Gas Bypass Unloader - Includes:	
2	17-44113-00	Capscrew, Hex Head, 1/4-28 X 3/8 Inch Long	4
3	17-10715-00	Lockwasher, 1/4 Inch	4
4	17-44750-00	Backer, Discharge Valve	2
5	17-44749-00	Valve, Discharge	2
6	NSS	Valve Plate	1
7	17-44748-00	Valve, Suction	2
8	17-40057-00	Dowel Pin, Suction Valve	4
9	17-44751-00	Spring, Suction Valve	2
10	17-55012-00	Check Valve, Unloader - Includes:	1
11	17-40104-08	Piston, Check-Valve	1
12	17-40104-09	Spring, Check-Valve	1
13	NSS	Screw, Round Phillips Head, # 6-32 X 1/2 Inch Long	2
14	NSS	Lock Washer, # 6	2
15	NSS	Body, Check-Valve	1
16	17-44746-00	Gasket, Valve Plate, Center Or Side Banks	1
17	17-44747-00	Gasket, Cylinder Head, Center Or Side Banks	1

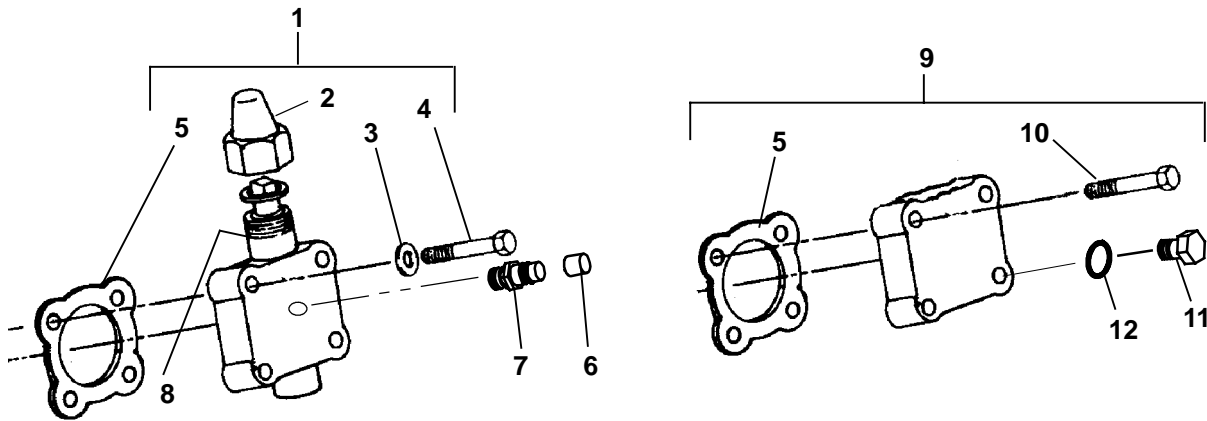
9 GASKETS



Item	Part Number	Description	Qty
1	17-44141-00	Gasket, Suction Service Valve - 4-Bolt	1
2	17-44746-00	Gasket, Valve Plate	3
3	17-44747-00	Gasket, Cylinder Head, Center Or Side Banks	3
4	17-44136-00	Gasket, Motor End Cover	2
5	17-44129-00	Gasket, Bottom Plate	1
6	17-44022-00	Gasket, Pump End Bearing Head	1
7	17-40104-07	Gasket, Unloader Body	2
8	17-44021-00	Gasket, Sightglass	2
9	17-44138-00	Gasket, Service Valve - 2-Bolt	2

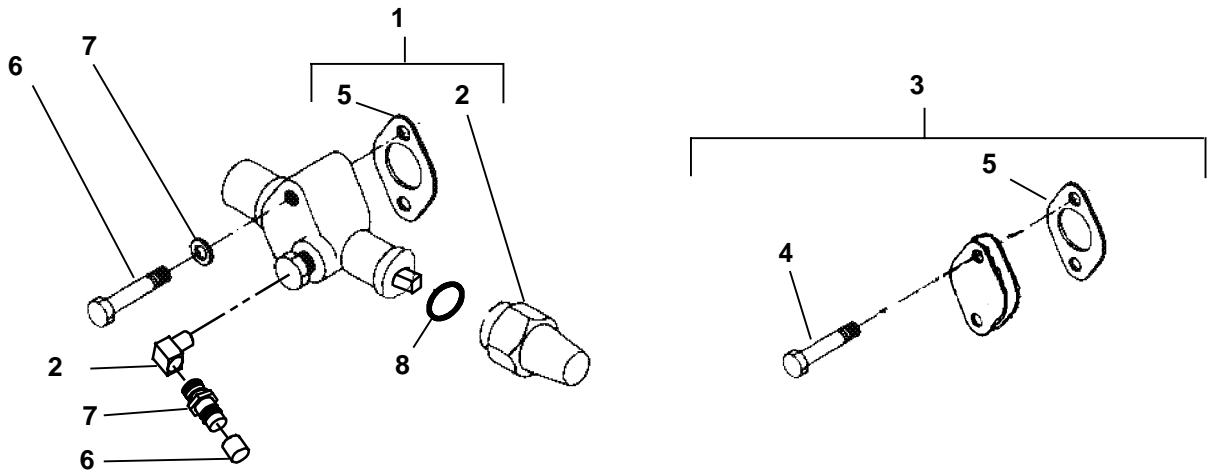
10 COMPRESSOR - SERVICE VALVE GROUP

10.1 Suction - Service Valve



Item	Part Number	Description	Qty
1	17-40002-01	Valve, Service, Suction, 1-3/8 Inches ODF - Includes:	1
2	17-10812-00	Cap, Service Valve (Plastic)	1
3	17-40007-00	Gasket, Capscrew, 1/2 Inch	4
4	17-13020-00	Capscrew, Hex Head, 1/2-13 X 2-1/2 Inches Long, SAE Grade 8	4
5	17-40005-05	Gasket, 4-Bolt Service Valve (Fiber)	1
	17-44141-00	Gasket, 4-Bolt Service Valve (Metal)	
6	DD19CA061	Cap, 1/4 Flare	1
7	06DA403-844	Valve, Access (1/4 Flare, Schrader)	1
8	17-13022-00	Packing, Service Valve Stem (P10)	1
9	17-13006-00	Kit, Valve Pad Blank Off, 4-Bolt Service Valve - Includes:	1
10	AA06BR-293	Capscrew, Hex Head, 1/2-13 X 1-1/2 Inches Long	4
11	17-44037-00	Plug, O-Ring, 7/16-20 - Includes:	1
12	42-00243-07	O-Ring	1
5	17-40005-05	Gasket, 4-Bolt Service Valve (Fiber)	1
	17-44141-00	Gasket, 4-Bolt Service Valve (Metal)	

10.2 Discharge - Service Valve



Item	Part Number	Description	Qty
1	17-01042-04	Valve, Service, Discharge, 7/18 Inch ODF - Includes:	1
2	17-10812-00	Cap, Service Valve (Plastic)	1
5	17-10811-05	Gasket, 2-Bolt Service Valve (Fiber)	1
	17-44138-00	Gasket, 2-Bolt Service Valve (Metal)	
2	40-00060-08	Elbow, 1/8 MPT X 1/4 FPT - Brass	1
3	17-13004-00	Kit, Valve Pad Blank Off, 2-Bolt Service Valve Includes:	1
4	17-40012-00	CapScrew, Hex Head, 5/16-18 X 1 Inch Long	2
5	17-10811-05	Gasket, 2-Bolt Service Valve (Fiber)	1
6	17-40012-00	Capscrew, Hex Head, 5/16-18 X 2 Inches Long	2
7	17-40013-00	Gasket, Capscrew, 5/16 Inch	2

PART NUMBER INDEX

PART NO.	PAGE NO.	PART NO.	PAGE NO.	PART NO.	PAGE NO.
06DA403-844	12	17-40104-07	9, 11	17-44751-00	10
17-01042-04	13	17-40104-08	10	17-44758-00	6
17-10218-00	3	17-40104-09	10	17-44763-00	6
17-10715-00	10	17-40104-20	9	17-44790-00	3
17-10811-05	13	17-40111-00	9	17-44791-00	3
17-10812-00	12, 13	17-40204-00	7	17-55008-00	8
17-10825-00	5	17-40409-00	9	17-55009-01	7
17-13004-00	13	17-40413-00	8	17-55010-00	9
17-13006-00	12	17-40417-00	9	17-55012-00	10
17-13020-00	12	17-40418-00	9	17-55023-00	8
17-13022-00	12	17-44005-00	3	17-55025-00	8
17-21062-00	6	17-44009-05	3	17-55034-00	3
17-21063-00	3	17-44021-00	3	18-00069-50	5
17-21076-00	8	17-44022-00	7, 11	18-10138-102	1
17-21077-00	8	17-44037-00	6, 7, 12	34-00372-39	5
17-40002-01	12	17-44072-00	8	34-00670-08	5
17-40005-05	12	17-44073-00	8	34-06026-00	9
17-40007-00	12	17-44113-00	10	34-06051-104	5
17-40012-00	13	17-44121-00	11	34-60068-20	5
17-40013-00	13	17-44128-00	5	34-60095-46	5
17-40018-05	3	17-44129-00	3, 6, 11	40-00060-08	13
17-40020-00	6	17-44136-00	3, 11	42-00243-03	9
17-40034-05	6	17-44137-00	7	42-00243-07	6, 7, 12
17-40037-05	7	17-44138-00	11, 13	68-12988-00	5
17-40042-00	6	17-44139-00	7	6D68-1621	8
17-40048-00	8	17-44141-00	11, 12	76-50192-00	5
17-40050-00	8	17-44742-00	10	86-04298-00	5
17-40053-00	8	17-44744-00	10	AA06BR-293	12
17-40055-00	8	17-44746-00	10, 11	AA06GR262	3
17-40056-02	8	17-44747-00	3, 10, 11	AW01DA096	8
17-40057-00	8, 10	17-44748-00	10	CA63AA051	3
17-40078-05	7	17-44749-00	10	DD19CA061	12
17-40093-06	5	17-44750-00	10		

North America
Carrier Transicold
700 Olympic Drive
Athens, GA 30601 USA
Tel: 1-706-357-7223
Fax: 1-706-355-5435

**Central America
and Mexico**
Ejercito Nacional No. 418
Piso 9, Torre Yumal
Col. Chapultepec Morales
11570 Mexico, D.F.
Tel: (5255) 9126.0300
Fax: (5255) 9126.0373



Carrier

A United Technologies Company

Carrier Transicold Division,
Carrier Corporation
Truck/Trailer Products Group
P.O. Box 4805
Syracuse, N.Y. 13221 U.S.A

www.carrier.transicold.com



A member of the United Technologies Corporation family. Stock symbol UTX
©2010 Carrier Corporation D Printed in U. S. A. 12/10