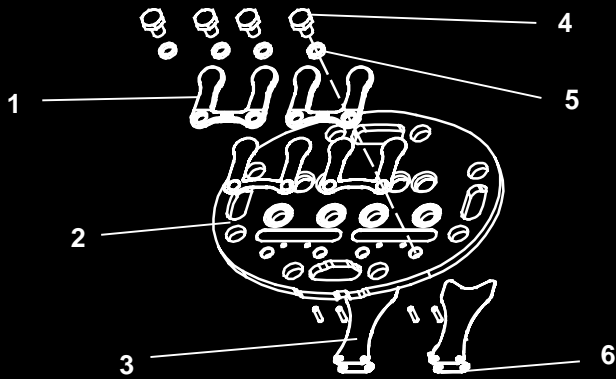




Compressor



SERVICE PARTS LIST
for
MODEL 05G TWIN PORT
COMPRESSOR



TRANSICOLD

SERVICE PARTS LIST

MODEL 05G TWIN PORT

COMPRESSOR

TABLE OF CONTENTS

INTRODUCTION	i
MODEL CHART	i
ORDERING INSTRUCTIONS	i
GENERAL NOTES	ii
COMPRESSOR OIL CHART	ii
1 CRANKCASE AND SUCTION SERVICE VALVE	1
2 COMPRESSOR BASE GROUP - ULTRA STYLE	2
3 COMPRESSOR BASE GROUP - STANDARD (NON-ULTRA) STYLE	3
4 BEARING HEAD AND OIL PUMP	4
5 CRANKSHAFT, ROD AND PISTON GROUP	5
6 SHAFT END GROUP	6
7 SHAFT SEAL RESERVOIR AND SHAFT END FLANGES	7
8 UNLOADERS	8
9 VALVE PLATE ASSEMBLY	10
10 UNLOADER VALVE PLATE ASSEMBLY	11
11 CYLINDER HEAD (SIDE)	12
12 CYLINDER HEAD (CENTER)	12
13 GASKET SET	13
14 CLUTCH ASSEMBLY - HOUSING MOUNTED (WARNER - GRAY IN COLOR)	14
15 CLUTCH ASSEMBLY - HOUSING MOUNTED (LINNIG - GOLD IN COLOR)	16
16 CLUTCH ASSEMBLY - SHAFT MOUNTED	18
17 UNLOADER KITS, BUS - PRESSURE TO ELECTRIC	20
PART NUMBER INDEX	Index-1

INTRODUCTION

This parts list identifies service replacement parts for the 05G Twin Port Compressors listed in the Model Chart below. To find replacement parts, determine the major group in which the replacement parts are located (refer to the Table of Contents) and turn to the appropriate page for the illustrated parts breakdown of the replacement parts. A detailed list of the tools needed to service the 05G Twin Port Compressor may be found in the Service Tool List catalog 62-03213.

MODEL CHART

New Twin Port 05G Compressor Part Number	Carlyle/CSM Manufacturer's Number	Replaces This Part Number Of The Previous Design Three Port 05G Compressor	Compressor Configuration	Application
18-00091-103	6GDG009UA0313A	18-00059-126RM	Ultra Bottom Cover, 37 CFM , Contoured Pistons, Ultra Flange, 2 Electric Unloaders, No Oil	Trailer
18-00091-105	6GDJ009UA0313A	18-00059-72RM	Ultra Bottom Cover, 41 CFM , Contoured Pistons, Ultra Flange, 2 Electric Unloaders, No Oil	Trailer
18-00091-106	6GCG008WB03131	18-00059-130RM	Standard Bottom Cover, 37 CFM , Contoured Pistons, Star Flange, 1 Electric Unloader, No Oil	Truck (Supra 9XX)
18-00091-108	6GDG00DUA0313A	18-00059-128RM	Ultra Bottom Cover, 37 CFM , Contoured Pistons, Ultra Flange With Threaded Clutch Hub, 2 Electric Unloaders, No Oil	Trailer With Standby
18-00091-150	6GCF00ATA03031	18-00059-169	Standard Bottom Cover, 37 CFM , Flat Pistons, Half Moon Flange With Hub, 2 Electric Unloaders, No Oil	Bus (R-22 or R-134a)
18-00091-160	6GCH00ATA03431	17-44062-00	Standard Bottom Cover, 41 CFM , Flat Pistons, Half Moon Flange With Hub, 2 Electric Unloaders, 5.8 Pints POE Oil	Bus (R-134a)
18-00091-180	6GCF00A3A03031	18-00059-169	Standard Bottom Cover, 37 CFM , Flat Pistons, Half Moon Flange With Hub, 2 Pressure Unloaders, No Oil	Bus (R-22 or R-134a)

ORDERING INSTRUCTIONS

All orders and inquiries for parts must include: Unit Serial Number, Part Number, description of part as shown on list and quantity required. Address all correspondence for parts to the following address:

CARRIER TRANSICOLD DIVISION
 Replacement Components Group, TR-20
 P.O. Box 4805, Syracuse, NY 13221.
 or
 Fax to: (315) 432-3778

GENERAL NOTES

To find replacement parts consult table of contents, and turn to the appropriate page for the illustrated breakdown of replacement parts. The following letter designations are used to classify parts throughout this list.

A/R *As Required*

NSA *Non-Stock Assembly* - order components listed under the assembly.

NSS *Not Sold Separately* - order next higher assembly or kit.

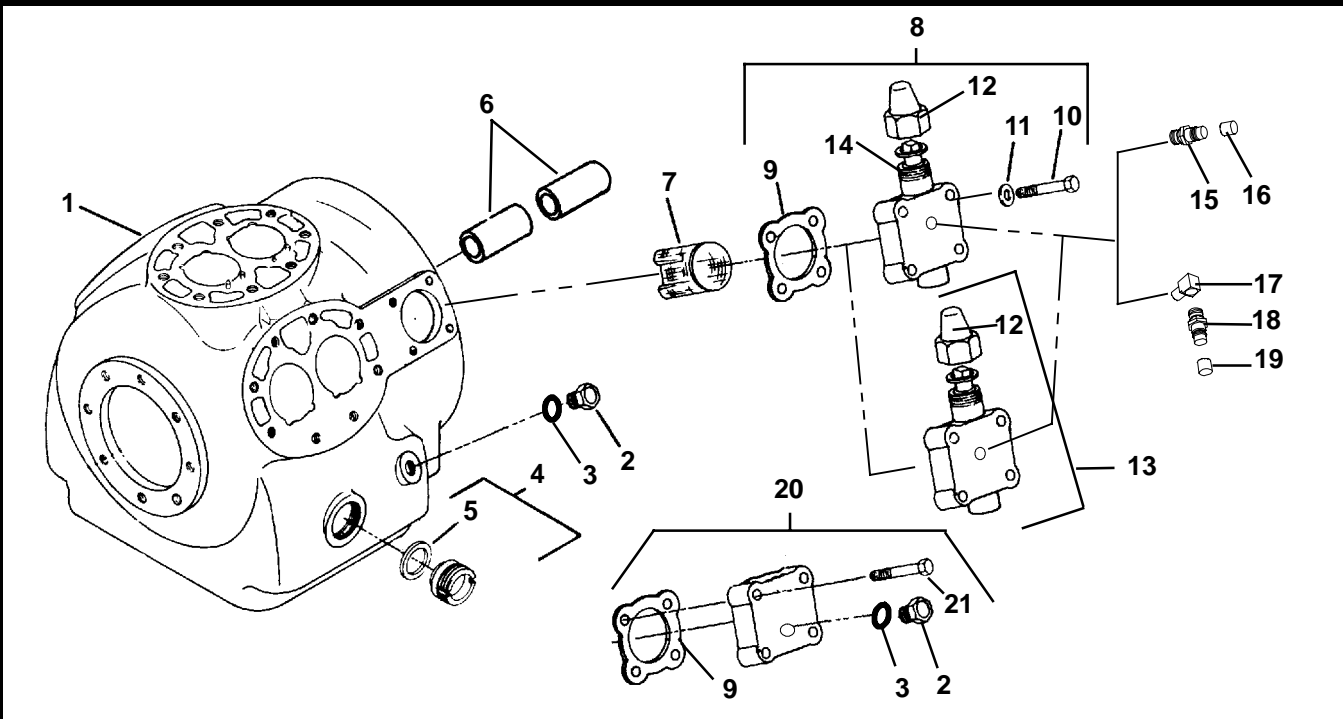
COMPRESSOR OIL CHART

Part Number	Oil Type	Viscosity	Refrigerants	Application	Packaging
07-00275-00	Mineral	150	R-12, R-22, R-500, R-502	Large Bus	1 Gallon x 6
07-00377-00	Mineral	300	R-12, R-22, R-500	Large Bus	1 Gallon x 6
07-00430-00	Alkyl Benzene (A/B)	68	R-22	Large Bus	1 Gallon x 6
07-00274-00	Alkyl Benzene (A/B)	150	R-12, R-22, R-500, R-502	Trailer	1 Gallon x 6
07-00317-00PK6	Polyolester (POE)	68	R-134a, R-404a	Truck, Trailer, and Large Bus	1 Gallon x 6

NOTE

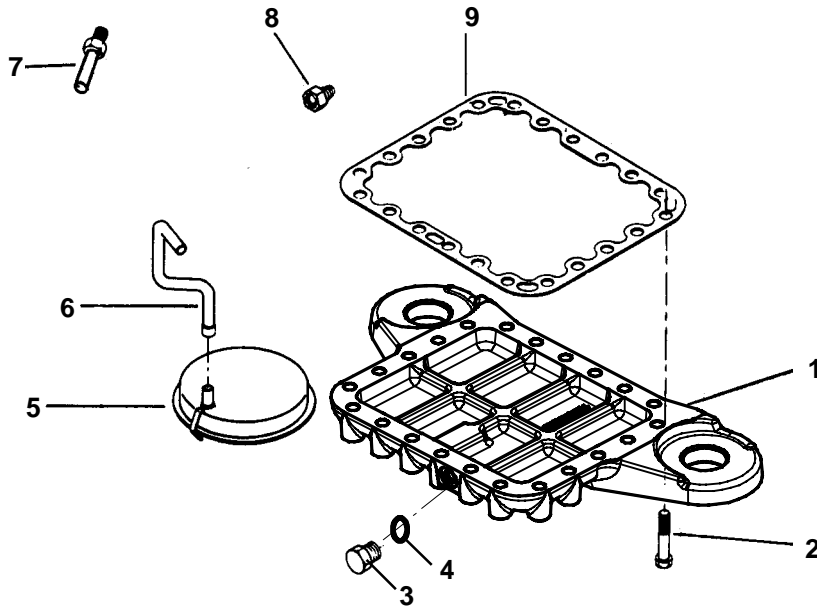
Refer to the unit operation and service manual for the correct procedure for checking compressor oil level.

1 CRANKCASE AND SUCTION SERVICE VALVE



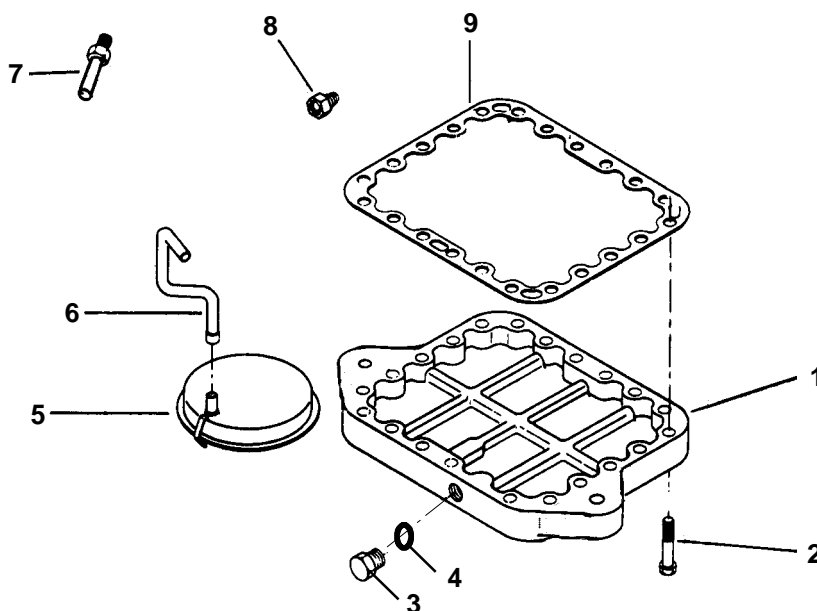
Item	Part Number	Description	Qty
1	NSA	Crankcase	1
2	17-44037-00	Plug, O-Ring, 7/16-20 - Includes:	1
3	42-00243-07	O-Ring	1
4	17-10218-00	Sight Glass, Oil Level - Includes:	2
5	17-10218-02	Gasket (Fiber)	1
	17-44021-00	Gasket (Metal)	
6	17-44015-00	Bearing, Main Seal End (Requires Line Boring)	2
7	17-44005-00	Strainer, Suction	1
8	17-31062-00	Valve, Service, 1-1/8 ODF (Bus/Supra 9xx) - Includes:	1
9	17-40005-05	Gasket, Service Valve (Fiber)	1
10	17-13020-00	Capscrew, 1/2-13 x 2-1/2 Inches Long - SAE Grade 5	4
11	17-40007-00	Gasket, Capscrew, 1/2 Inch	4
12	17-10812-01	Cap, Service Valve (Plastic) (With Relief Hole)	1
	17-10806-10	Cap, Service Valve (Brass)	
13	17-40002-01	Valve, Service, 1-3/8 ODF (Truck/Trailer) - Includes:	1
12	17-10812-01	Cap, Service Valve (Plastic) (With Relief Hole)	1
	17-10806-10	Cap, Service Valve (Brass)	
9	17-44141-00	Gasket, 4 Bolt Service Valve (Metal -May be used in place of fiber gasket)	1
14	34-50022-00	Packing Kit, Service Valve Stem (4-Bolt)	1
15	06DA403844	Valve, Access (1/4 Flare, Schrader) (for R-12, R-22, R-404A)	1
16	DD19CA061	Cap, 1/4 Flare, Schrader	1
17	40-00524-00	Elbow, 1/4 NPT x M13, Brass (for R-134a)	1
18	40-00520-00	Coupling, M13, R-134a, Brass - Includes:	1
19	40-00520-02	Cap, Service Port	1
20	17-13006-00	Kit, Valve Pad Blank Off, 4 Bolt Suction Service Valve - Includes:	1
2	17-44037-00	Plug, O-Ring, 7/16-20 - Includes:	1
3	42-00243-07	O-Ring	1
9	17-40005-05	Gasket, Service Valve (Fiber)	1
21	AA06BR293	Capscrew, 1/2-13 x 1-1/2 Inches Long - SAE Grade 5	4

2 COMPRESSOR BASE GROUP - ULTRA STYLE



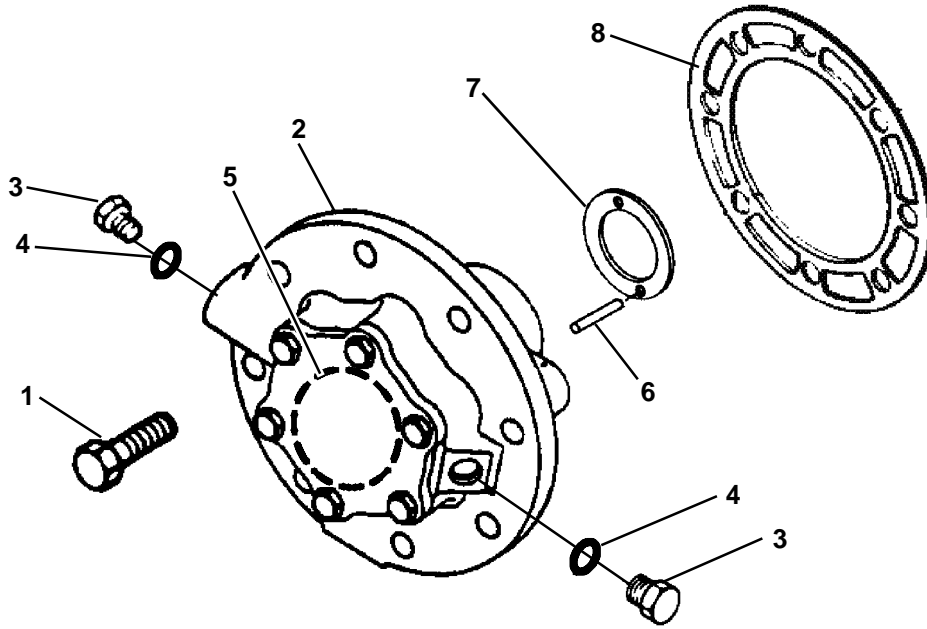
Item	Part Number	Description	Qty
1	17-44026-00	Plate, Bottom, Aluminum, (Ultra Style Compressors)	1
2	17-44117-00	Capscrew, Hex Head, 3/8-16 x 2-1/4 Inches Long - SAE Grade 8	22
3	17-44037-00	Plug, O-Ring, 7/16-20 - Includes:	1
4	42-00243-07	O-Ring	1
5	17-40020-00	Oil Filter Screen Assembly	1
6	17-40021-00	Tube, Oil Suction	1
7	17-44011-00	Oil Relief Valve	1
8	17-40042-00	Oil Return Check Valve Assembly	2
9	17-44129-00	Gasket, Bottom Plate (Metal)	1

3 COMPRESSOR BASE GROUP - STANDARD (NON-ULTRA) STYLE



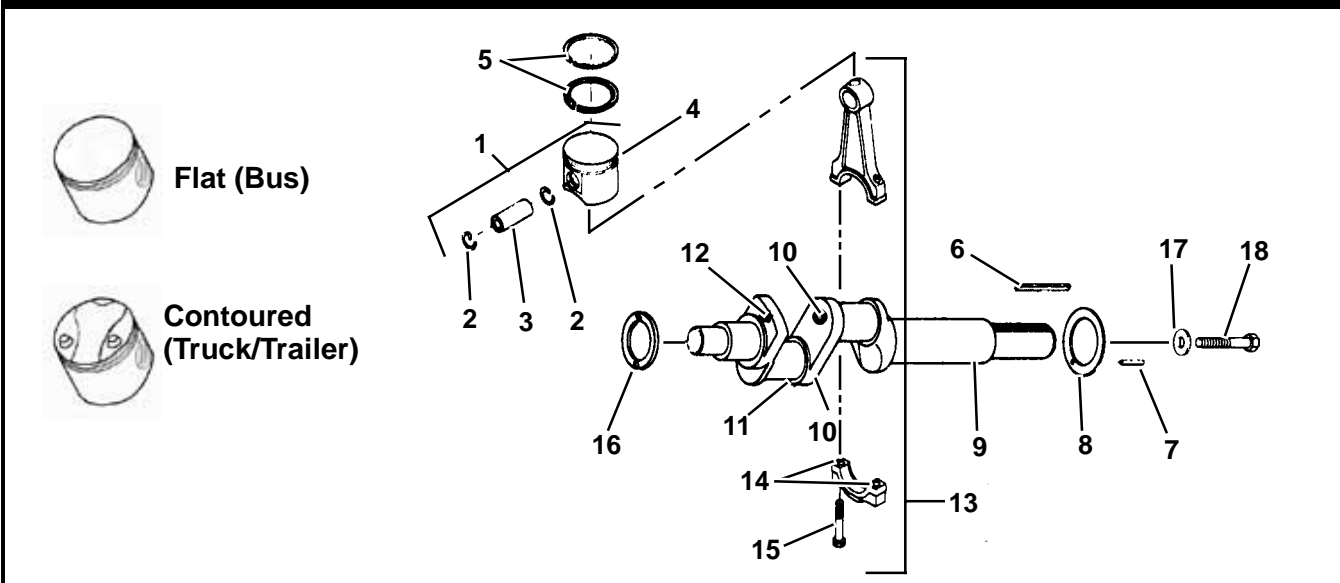
Item	Part Number	Description	Qty
1	17-44035-00	Plate, Bottom, Aluminum, (Non-Ultra Style Compressors)	1
2	17-44117-00	Capscrew, Hex Head, 3/8-16 x 2-1/4 Inches Long - SAE Grade 8	22
3	17-44037-00	Plug, O-Ring, 7/16-20 - Includes:	1
4	42-00243-07	O-Ring	1
5	17-40020-00	Oil Filter Screen Assembly	1
6	17-40021-00	Tube, Oil Suction	1
7	17-44011-00	Oil Relief Valve	1
8	17-40042-00	Oil Return Check Valve Assembly	2
9	17-44129-00	Gasket, Bottom Plate (Metal)	1

4 BEARING HEAD AND OIL PUMP



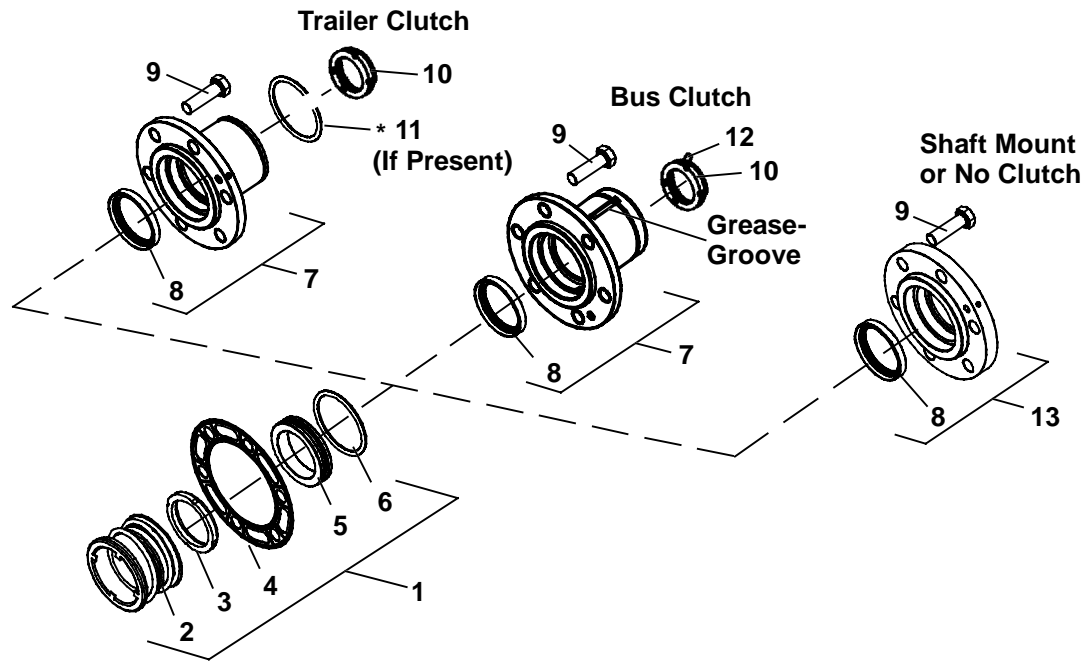
Item	Part Number	Description	Qty
1	17-10308-00	Capscrew, Hex Head, 3/8-16 x 1-1/4 Inches Long - SAE Grade 5	8
2	17-44137-00	Oil Pump and Bearing Head - Includes:	1
3	17-44037-00	Plug, O-Ring, 7/16-20 - Includes:	2
4	42-00243-07	O-Ring	2
5	17-44139-00	O-Ring, Pump Cover Plate	1
6	17-40204-00	Pin, Roll, 1/8 x 1/2 Inch	2
7	17-55009-01	Thrustwasher, Pump End	1
8	17-40078-05	Gasket, Bearing Head (Fiber)	1
	17-44022-00	Gasket, Bearing Head (Metal)	

5 CRANKSHAFT, ROD AND PISTON GROUP



Item	Part Number	Description	Qty
1	17-44045-01	Piston, 05G37 CFM, Flat , Standard - Includes:	6
	17-44045-03	Piston, 05G37 CFM, Flat , .020 Inch Oversize - Includes:	
	17-44121-01	Piston, 05G41 CFM, Flat , Standard - Includes:	
	17-44122-01	Piston, 05G41 CFM, Flat , .020 Inch Oversize - Includes:	
1	17-44070-00	Piston, 05G37 CFM, Contoured , Standard - Includes:	6
	17-44071-00	Piston, 05G37 CFM, Contoured , .020 Inch Oversize - Includes:	
	17-44072-00	Piston, 05G41 CFM, Contoured , Standard - Includes:	
	17-44073-00	Piston, 05G41 CFM, Contoured , .020 Inch Oversize - Includes:	
2	17-40053-00	Retainer, Piston Pin	2
3	NSS	Pin, Piston	1
4	NSS	Piston	1
5	17-40055-00	Ring, Compression (Standard)	12
	17-55025-00	Ring, Compression (.020 Inch Oversize)	12
6	17-40324-00	Key, Crankshaft, 1/4 x 1/4 x 1-1/2 Inches Long (For Shaft Mounted or No Clutch)	1
	68G2-9072	Key, Crankshaft (For Housing Mounted Clutch)	
7	17-44036-00	Pin, Spiral, 1/8 x 1/2 Inch Long	2
8	17-44008-00	Thrustwasher, Seal End	1
9	17-44074-00	Crankshaft Assembly, 05G37 CFM (05G Twin Port) - Includes:	1
	17-44075-00	Crankshaft Assembly, 05G41 CFM (05G Twin Port) - Includes:	
10	17-40317-00	Expansion Plug	2
11	AF55CQ164	Setscrew, 1/4-28 x 1/2 Inch Long	1
12	34-00300-07	Capscrew, Hex Head, 1/4-20 x 7/8 Inch Long - Grade 5	1
13	17-40056-02	Connecting Rod and Cap Assembly (Standard) - Includes:	6
	17-55023-00	Connecting Rod and Cap Assembly (.010 Inch Undersize) - Includes:	A/R
14	17-40057-00	Pin, Dowel	2
15	17-55008-00	Capscrew (Special)	2
16	17-55009-01	Thrustwasher, Pump End	1
17	34-00616-00	Washer, 13/32 ID x 1-1/2 OD x 3/16 Thick	1
18	34-00613-07	Capscrew, Hex Head, 3/8-24 UNF x 7/8 Inch Long - SAE Grade 8	1

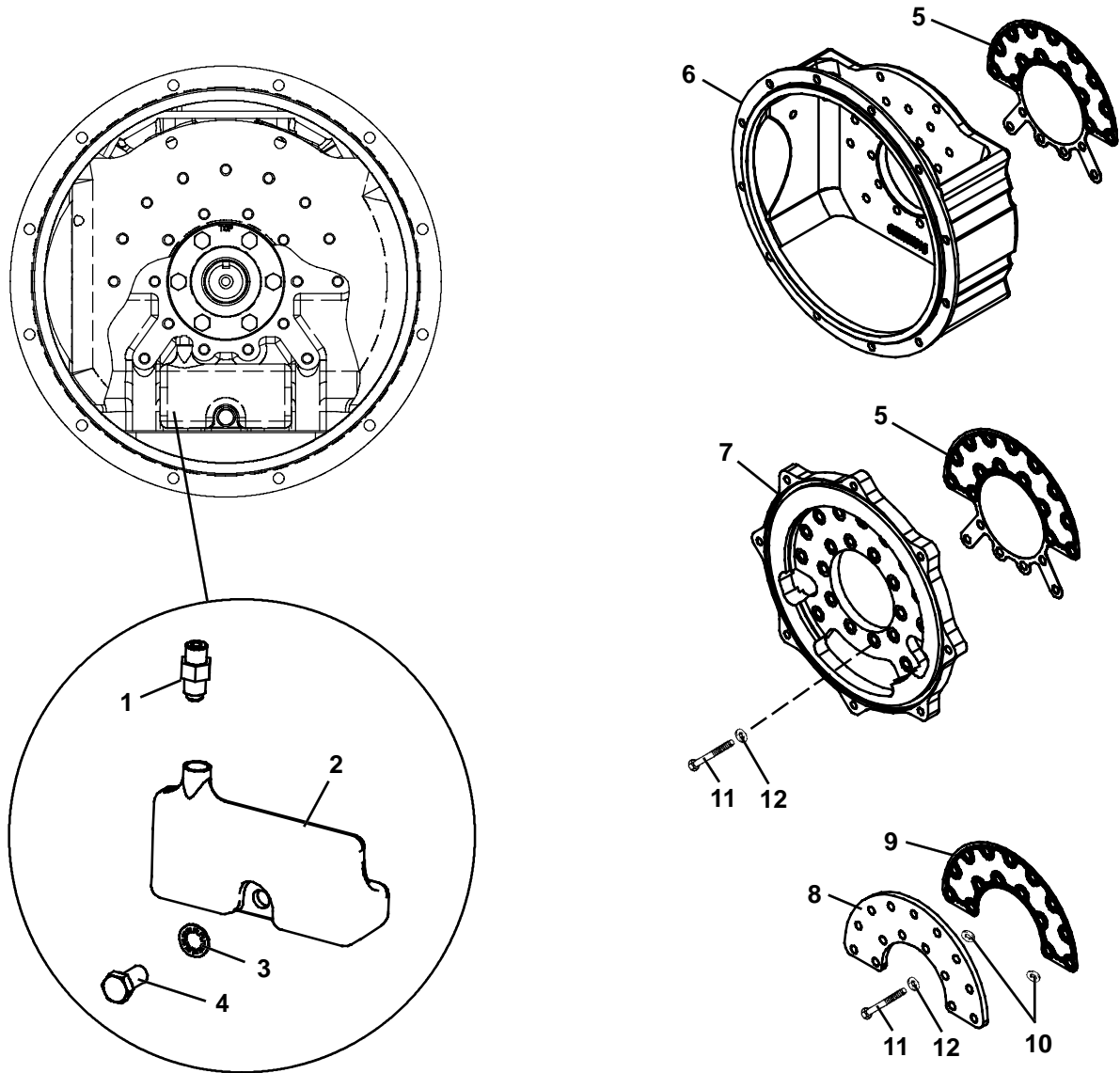
6 SHAFT END GROUP



*NOTE: Early production trailer compressors may have had the snap ring style clutch hub. Should the hub require replacement, it must be converted to the threaded clutch hub (Item 7).

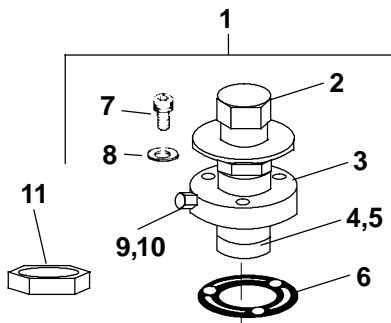
Item	Part Number	Description	Qty
1	17-44770-00	Seal Assembly (Shaft) - Includes:	1
2	NSS	Spring And Bellows Assembly, Shaft Seal	1
3	17-44768-00	Rotor, Seal	1
4	17-44004-06	Gasket, Seal Cover - (Metal)	1
5	NSS	Stator, Seal, (Wear Ring)	1
6	17-44773-00	O-Ring, Stator	1
7	17-44766-00	Hub Assembly, Housing Mounted Clutch, Threaded, No Groove - Trailer - Includes:	1
	17-44767-00	Hub Assembly, Housing Mounted Clutch, Threaded, W/Grease Groove - Bus - Includes:	
8	17-44765-00	Seal, Lip, Shaft Seal	1
4	17-44004-06	Gasket, Seal Cover - (Metal)	1
9	17-40308-00	Capscrew, 3/8-16 X 1-1/4 Inch Long Grade 5	6
10	34-01304-00	Nut, Hub, Without Grease Fitting Port (Trailer Only)	1
	34-06083-00	Nut, Hub, Without Grease Fitting Port - Bus	
	34-01161-00	Nut, Hub, With Grease Fitting Port - (Fitting Not Included) Bus	
11	50-00221-30	Ring, Snap (If Applicable)	1
12	40-01132-00	Fitting, Grease, 1/4-28 NPT- Bus	1
13	17-44772-00	Seal Cover Assembly, Shaft (Gland Plate) - Includes:	1
4	17-44004-06	Gasket, Seal Cover - (Metal)	1
8	17-44765-00	Seal, Lip, Shaft Seal	1

7 SHAFT SEAL RESERVOIR AND SHAFT END FLANGES

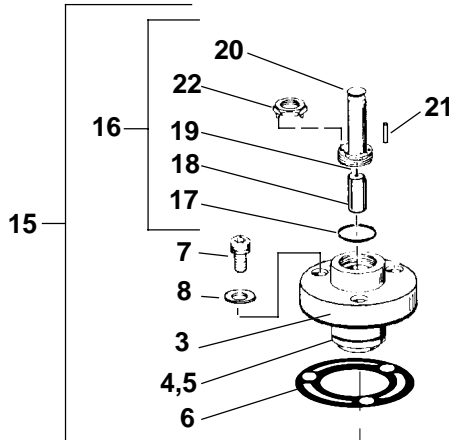


Item	Part Number	Description	Qty
1	05GA503-724	Access Valve, Coreless , 7/16-20, With O-Ring	1
2	17-44771-00	Reservoir, Shaft Seal (Bus Application)	1
	17-44774-00	Reservoir, Shaft Seal (Truck/Trailer Application)	
3	05GA503-734	Washer, Internal Tooth, 3/8 Inch, Plated	1
4	AA06GS228	Cap Screw, Hex Head, 3/8-16 X 0.75 Inch Long, Grade 8	1
5	17-44119-00	Gasket, End Flange, Ultra Style or Full Ring Flange (Used With Items 6 and 7)	1
6	17-44025-00	End Flange, Ultra Style (Trailer)	1
7	17-44002-00	End Flange, Full Ring (Star Flange)	1
8	17-44127-00	End Flange, Half Moon (Bus)	1
9	17-44118-00	Gasket, Half Moon End Flange (Used Only With Item 8)	1
10	17-44014-00	Gasket, Flange Spacer (Used Only With Items 8 and 9)	2
11	17-10308-00	Cap Screw, Hex Head, 3/8-16 X 1.25 Inch Long, Grade 5	A/R
12	17-40019-00	Gasket, Cap Screw	A/R

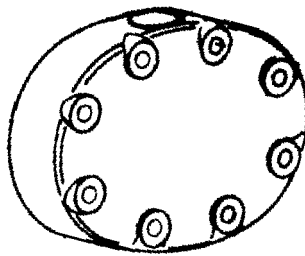
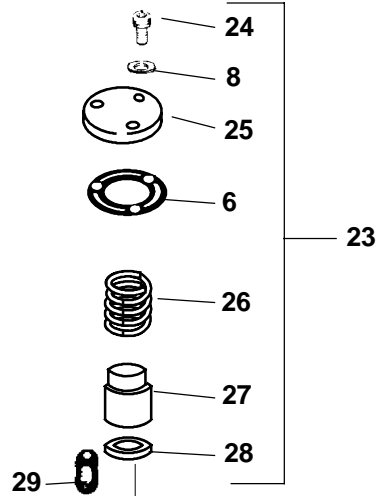
Pressure Valve



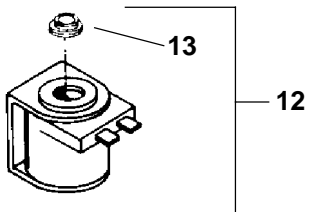
Electric Valve



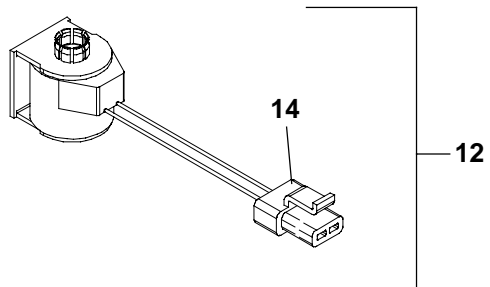
Valve Plug



COILS



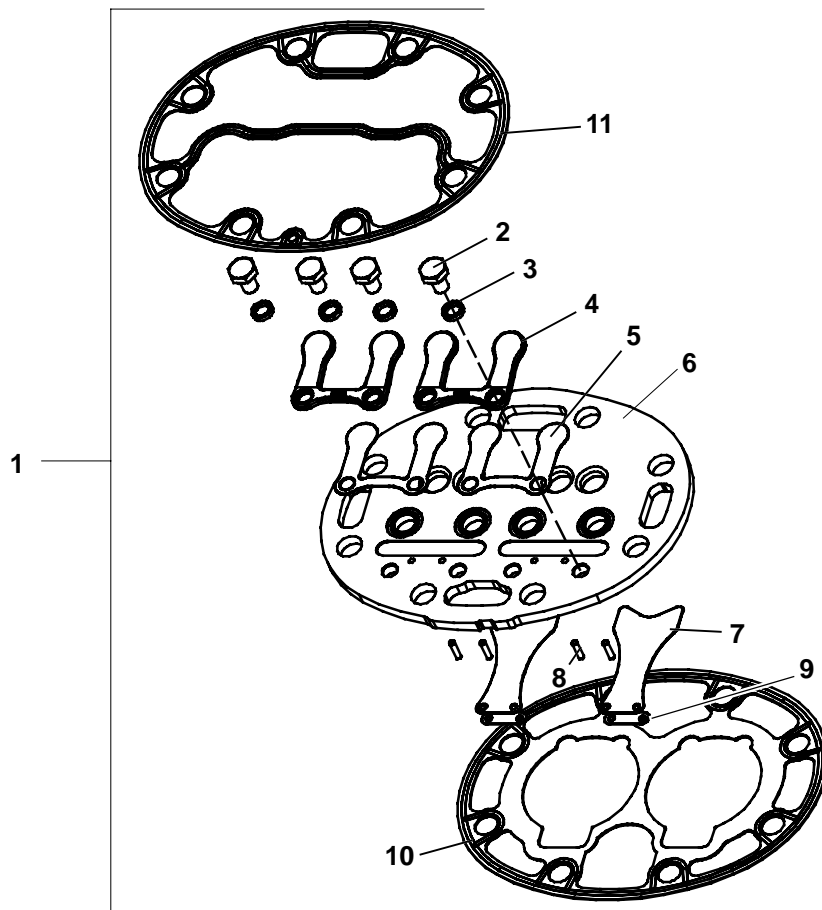
OR



8 UNLOADERS (Continued)

Item	Part Number	Description	Qty
1	17-55018-01	Valve Assembly (Pressure) - Includes:	A/R
2	NSS	Power Assembly, Unloader (Suction Pressure Activated)	1
3	NSS	Body Assembly, Valve	1
4	17-40409-00	Piston, Unloader - Includes:	1
5	17-55010-00	Ring, Piston	1
6	17-40104-07	Gasket, Unloader Valve	1
7	17-40111-00	Screw, Socket Head, 1/4-28 x 3/4 Inch Long	1
8	17-40104-20	Gasket, Socket Head Screw, 1/4 Inch	1
9	17-55028-00	Cap, Adjustment Screw	1
10	42-50019-00	O-Ring, Adjustment Screw Cap	1
11	34-01139-00	Nut, Unloader Adjuster Lock	1
12	22-02804-00	Coil, Valve, 12 VDC With Connector (Truck/Trailer) - Includes:	A/R
	22-02567-00	Coil, Valve, 12 VDC With Spade Terminal - Includes:	
	14-00143-07	Coil, Valve, 12 VDC With 6 inch wire leads - Includes:	
	22-50030-00	Coil, Valve, 24 VDC With 42 inch wire leads - Includes:	
	22-02567-01	Coil, Valve, 24 VAC With Spade Terminal - Includes:	
	16-00149-00	Coil, Valve, 115 VAC With 42 inch Wire Leads - Includes:	
	17-10829-00	Coil, Valve, 230 VAC With 42 inch Wire Leads - Includes:	
13	17-40408-02	Cap, Snap	1
14	22-50078-02SV	Connector, 2 Wire, 22-02804-00 Coil Only (Mates With 22-50078-01SV)	1
15	17-40417-00	Valve Assembly (Electric) - Includes:	A/R
3	NSS	Body Assembly, Valve	1
4	17-40409-00	Piston, Unloader - Includes:	1
5	17-55010-00	Ring, Piston	1
6	17-40104-07	Gasket, Unloader Valve	1
7	17-40111-00	Screw, Socket Head, 1/4-28 x 3/4 Inch Long	1
8	17-40104-20	Gasket, Socket Head Screw, 1/4 Inch	1
16	17-40418-00	Kit, Valve Stem Repair (For 17-40417-00) - Includes:	A/R
17	42-00243-03	Gasket, O-ring	1
18	NSS	Plunger Assembly	1
19	NSS	Spring, Plunger	1
20	NSS	Enclosing Tube	1
21	34-06026-00	Pin, Unloader Coil Retainer	1
22	NSS	Tool, Valve Stem Installation/Removal	1
23	17-55013-00	Kit, Plug, To Fully Load Cylinder Bank - Includes:	A/R
24	17-10721-00	Screw, Socket Head, 1/4-28 x 1.0 Inch Long	3
25	NSS	Plate Cover	1
26	NSS	Spring	1
27	NSS	Plug	1
28	17-55014-00	Ring, Seat	1
29	17-40108-00	Strainer	1
6	17-40104-07	Gasket, Unloader Valve	1
8	17-40104-20	Gasket, Socket Head Screw, 1/4 Inch	1

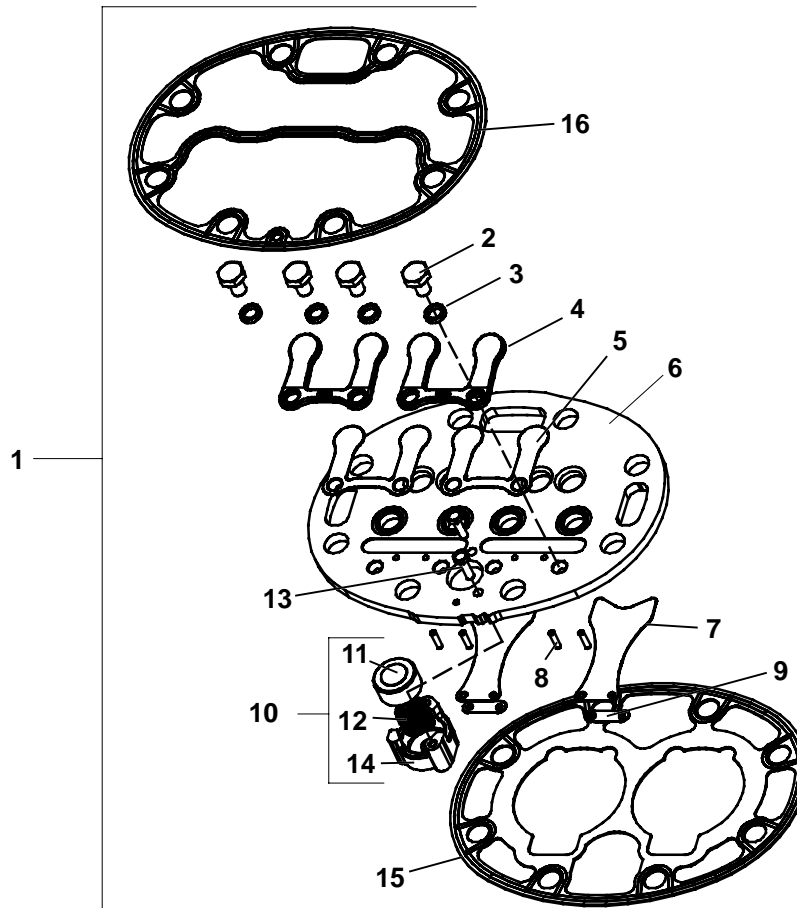
9 VALVE PLATE ASSEMBLY



CAUTION: The above valve plate can only be used on the Twin Port 05G compressor.
It will not function in the previous design (3 port) 05G compressor.

Item	Part Number	Description	Qty
1	17-44742-00	Valve Plate Assembly, Center or Side Bank With No Unloader - Includes:	1
2	17-44113-00	Capscrew, HexHead, 1/4-28 x 3/8 Inch Long	4
3	17-10715-00	Lockwasher, 1/4 Inch	4
4	17-44750-00	Backer, Discharge Valve	2
5	17-44749-00	Valve, Discharge	2
6	NSS	Valve Plate	1
7	17-44748-00	Valve, Suction	2
8	17-40057-00	Dowel, Pin Suction Valve	4
9	17-44751-00	Spring, Suction Valve	2
10	17-44746-00	Gasket, Valve Plate, Center or Side Banks	1
11	17-44747-00	Gasket, Cylinder Head, Center or Side Banks	1

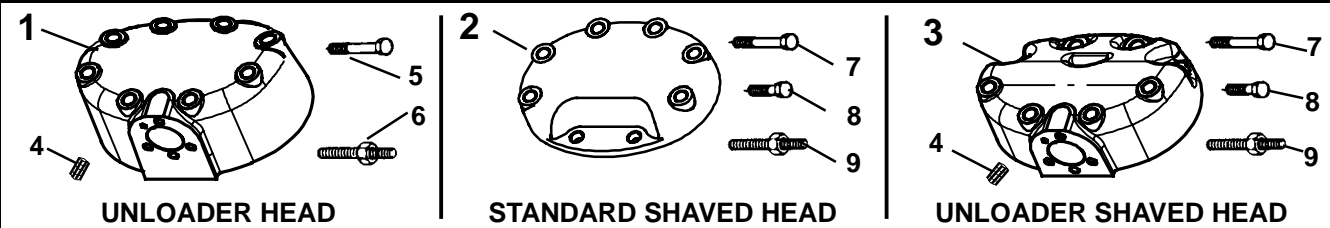
10 UNLOADER VALVE PLATE ASSEMBLY



CAUTION: The above valve plate can only be used on the Twin Port 05G compressor.
It will not function in the previous design (3 port) 05G compressor.

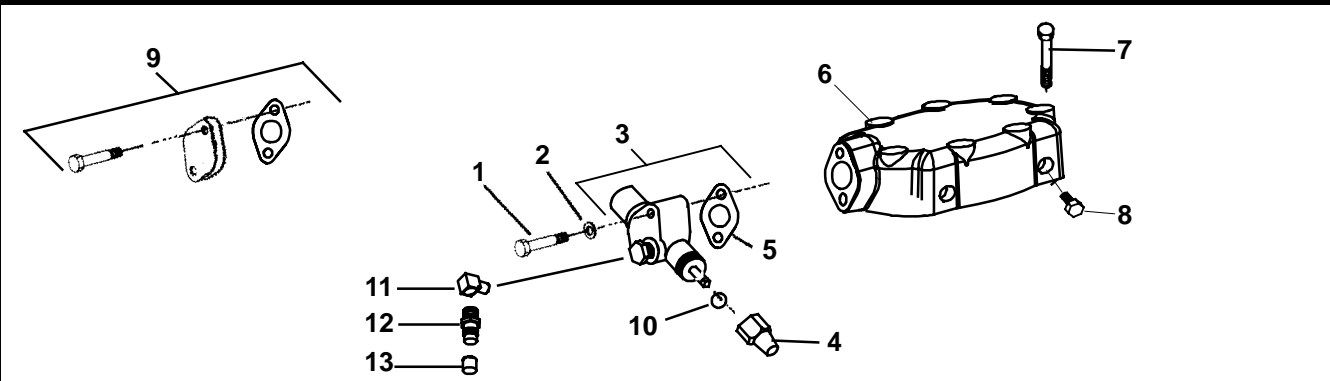
Item	Part Number	Description	Qty
1	17-44744-00	Valve Plate Assembly, Side Bank With Unloader - Includes:	1
2	17-44113-00	Capscrew, HexHead, 1/4-28 x 3/8 Inch Long	4
3	17-10715-00	Lockwasher, 1/4 Inch	4
4	17-44750-00	Backer, Discharge Valve	2
5	17-44749-00	Valve, Discharge	2
6	NSS	Valve Plate	1
7	17-44748-00	Valve, Suction	2
8	17-40057-00	Dowel, Pin Suction Valve	4
9	17-44751-00	Spring, Suction Valve	2
10	17-55012-00	Check Valve, Unloader, - Includes:	1
11	17-40104-08	Piston, Check Valve	1
12	17-40104-09	Spring, Check Valve	1
13	NSS	Screw, Round Phillips Head, #6-32 x 1/2 Inch Long	2
14	NSS	Body Check Valve	1
15	17-44746-00	Gasket, Valve Plate, Center or Side Banks	1
16	17-44747-00	Gasket, Cylinder Head, Center or Side Banks	1

11 CYLINDER HEAD (SIDE)



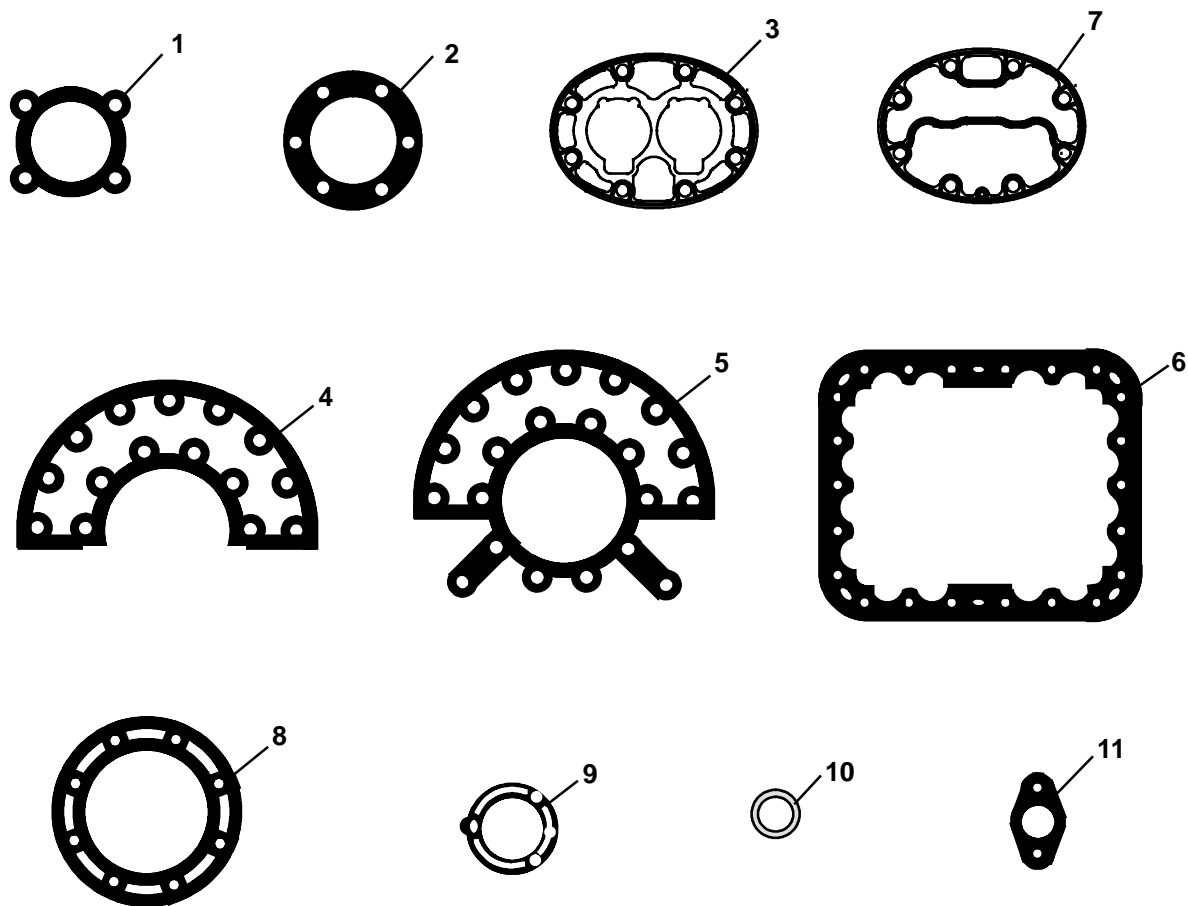
Item	Part Number	Description	Qty
1	17-44743-00	Cylinder Head, Unloader - Side Banks	A/R
2	17-44753-00	Cylinder Head - Side Banks, Shaved (Standard, No Unloader)	A/R
3	17-44790-00	Cylinder Head, Unloader - Side Banks - Shaved	A/R
4	17-40108-00	Strainer	1
5	17-10224-05	Capscrew, Hex Head, 3/8 -16 x 3-1/4 Inches Long - SAE Grade 8	8
6	17-44017-03	Stud, Cylinder Head (Unloader or Center), 3/8 -16 x 4-1/4 Inches Long	A/R
7	17-44117-00	Capscrew, Hex Head, 3/8 -16 x 2-1/4 Inches Long - SAE Grade 8	6
8	AA06GR232	Capscrew, Hex Head, 3/8 -16 x 1-1/4 Inches Long - SAE Grade 8	2
9	17-44780-00	Stud, Cylinder Head (Shaved), 3/8 -16 x 3-1/4 Inches Long	A/R

12 CYLINDER HEAD (CENTER)



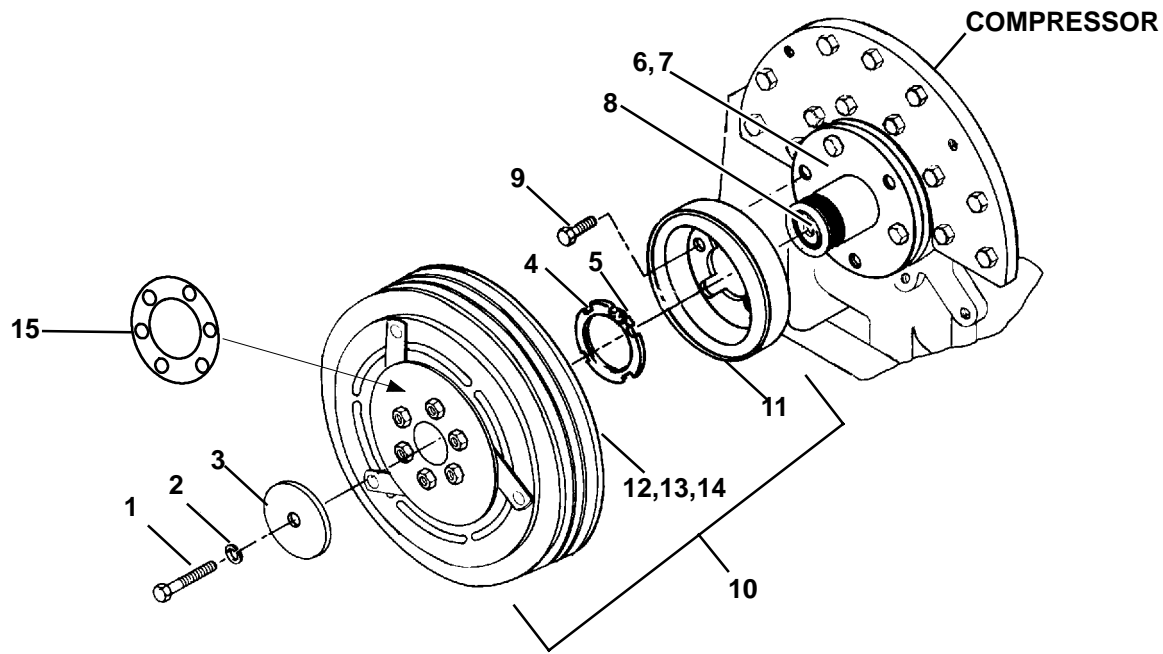
Item	Part Number	Description	Qty
1	34-00302-16	Capscrew, Hex Head, 5/16 -18 x 2 Inches Long - SAE Grade 5	2
2	17-40013-00	Gasket, Capscrew, 5/16 Inch	2
3	14-01042-07	Valve, Service 7/8 Inch ODF (1/8 Inch FPT Gauge Port)- Includes:	1
	14-00206-01	Valve, Service 7/8 Inch ODF (M15 Gauge Port For R-134a) - Includes:	1
4	17-10812-01	Cap, Service Valve (Plastic) (With Relief Hole)	1
5	17-10811-05	Gasket, Service Valve (Fiber)	1
	17-44138-00	Gasket, Service Valve (Metal)	1
4	17-10806-10	Cap, Service Valve (Brass)	1
6	17-44752-00	Cylinder Head, Center Bank, One Pressure Port (Bus)	1
	17-44754-00	Cylinder Head, Center Bank, Two Pressure Ports (T/T)	1
7	17-10224-05	Capscrew, Hex Head, 3/8 -16 x 3 -1/4 Inches Long - SAE Grade 8	8
8	CA63AA051	Pipe Plug, 1/4 -18NPT (package of 20)	A/R
9	17-13004-00	Kit, Valve Pad Blank Off, 2 Bolt Service Valve	1
10	17-13022-00	Graphite Packing, Service Valve Stem (2-Bolt)	1
11	40-00524-01	Elbow, 1/8 MPT x M15 - Brass (for R -134a)	1
12	40-00520-01	Coupling, M15, High Side - Brass - Includes:	1
13	40-00520-03	Cap, Service Port	1
11	40-00060-08	Elbow, 1/8 MPT x 1/4 FPT - Brass (for R -12, R -22)	1
12	06DA403-844	Valve, Access (1/4 Flare, Schrader)	1
13	DD19CA061	Cap, 1/4 Flare, Schrader	1

13 GASKET SET



Item	Part Number	Description	Qty
-	17-44775-00	Gasket Set, Metal - Includes:	1
1	17-44141-00	Gasket, Suction Service Valve - 4 Bolt	1
2	17-44004-06	Gasket, Shaft Seal	1
3	17-44746-00	Gasket, Valve Plate	3
4	17-44118-00	Gasket, End Flange	1
5	17-44119-00	Gasket, End Flange	1
6	17-44129-00	Gasket, Bottom Plate	1
7	17-44747-00	Gasket, Cylinder Head, Center or Side Banks	3
8	17-44022-00	Gasket, Pump End Bearing Head	1
9	17-40104-07	Gasket, Unloader Body	2
10	17-44021-00	Gasket, Sight Glass	2
11	17-44138-00	Gasket, Service Valve - 2 Bolt	2

14 CLUTCH ASSEMBLY - HOUSING MOUNTED (WARNER - GRAY IN COLOR)



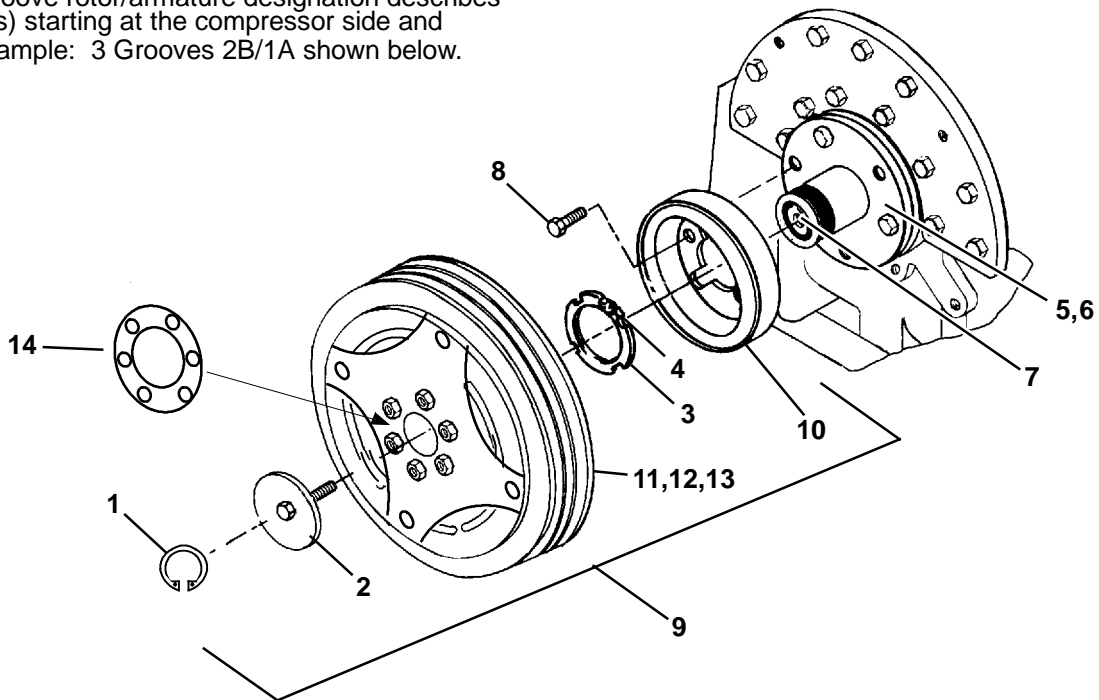
Item	Part Number	Description	Qty
NS	76-50013-00	Kit, Conversion Shaft to Housing Mounted Clutch	A/R
1	34-00613-07	Capscrew, Hex Head, 3/8-24 x 7/8 Inch Long - SAE Grade 8	1
2	AU11AR241	Washer, Lock, Spring, 3/8 Inch	1
3	34-00616-00	Washer, 13/32 ID x 1-1/2 OD x 3/16 Inch Thick	1
4	34-01161-00	Nut, Hub, With Grease Fitting Port (Fitting Not Included)	1
	34-06083-00	Nut, Hub Without Grease Fitting Port	
5	40-01132-00	Fitting, Grease, 1/4-18	1
6	17-44041-01	Hub, Clutch Mounting - Includes:	1
7	17-44042-00	Ring, Felt and Retainer	1
8	68G2-9072	Key, Crankshaft, Special	1
9	17-10308-00	Capscrew, Hex Head, 3/8-16 x 1-1/4 Inches Long - SAE Grade 8	1
10	50-01122-01	Clutch, Assembly, 24 VDC, 2-C Grooves, 9 Inch Diameter - Includes:	1
11	50-01122-50	Coil, 24 VDC	1
12	50-01122-85	Rotor/Armature, 2-C Grooves, 9 Inch Diameter - Includes:	1
13	34-01186-00	Ring, Snap	1
14	04-00130-00	Bearing, Rotor	1
10	50-01122-04	Clutch, Assembly, 12 VDC, 2-C Grooves, 9 Inch Diameter - Includes:	1
11	50-01122-41	Coil, 12 VDC	1
12	50-01122-85	Rotor/Armature, 2-C Grooves, 9 Inch Diameter - Includes:	1
13	34-01186-00	Ring, Snap	1
14	04-00130-00	Bearing, Rotor	1
10	50-01122-02	Clutch, Assembly, 24 VDC, 3-3V Grooves, 8.48 Inch Diameter - Includes:	1
11	50-01122-50	Coil, 24 VDC	1
12	50-01122-86	Rotor/Armature, 3-3V Grooves, 8.48 Inch Diameter - Includes:	1
13	34-01186-00	Ring, Snap	1
14	04-00130-00	Bearing, Rotor	1

14 CLUTCH ASSEMBLY - HOUSING MOUNTED (WARNER - GRAY IN COLOR) - Continued

Item	Part Number	Description	Qty
10	50-01122-07	Clutch, Assembly, 24 VDC, 2-B Grooves, 9 Inch Diameter - Includes:	1
11	50-01122-50	Coil, 24 VDC	1
12	50-01122-90	Rotor/Armature, 2-B Grooves, 9 Inch Diameter - Includes:	1
13	34-01186-00	Ring, Snap	1
14	04-00130-00	Bearing, Rotor	1
10	50-01122-09	Clutch, Assembly, 24 VDC, 4 Grooves (2-A/2-B), 10.35 Inch Diameter - Includes:	1
11	50-01122-50	Coil, 24 VDC	1
12	50-01122-501	Rotor/Armature, 4 Grooves (2-A/2-B), 10.35 Inch Diameter - Includes:	1
13	34-01186-00	Ring, Snap	1
14	04-00130-00	Bearing, Rotor	1
10	50-01122-12	Clutch, Assembly, 24 VDC, 2-5V Grooves, 8.7 Inch Diameter - Includes:	1
11	50-01122-50	Coil, 24 VDC	1
12	50-01122-91	Rotor/Armature, 2-5V Grooves, 8.7 Inch Diameter - Includes:	1
13	34-01186-00	Ring, Snap	1
14	04-00130-00	Bearing, Rotor	1
10	50-01122-14	Clutch, Assembly, 24 VDC, 2-5V Grooves, 10.5 Inch Diameter - Includes:	1
11	50-01122-50	Coil, 24 VDC	1
12	50-01122-93	Rotor/Armature, 2-5V Grooves, 10.5 Inch Diameter - Includes:	1
13	34-01186-00	Ring, Snap	1
14	04-00130-00	Bearing, Rotor	1
15	50-01122-65	Shim, .010 Inch Thick	5
	50-01122-66	Shim, .020 Inch Thick	1

15 CLUTCH ASSEMBLY - HOUSING MOUNTED (LINNIG - GOLD IN COLOR)

Note: Multiple groove rotor/armature designation describes groove location(s) starting at the compressor side and working out. Example: 3 Grooves 2B/1A shown below.

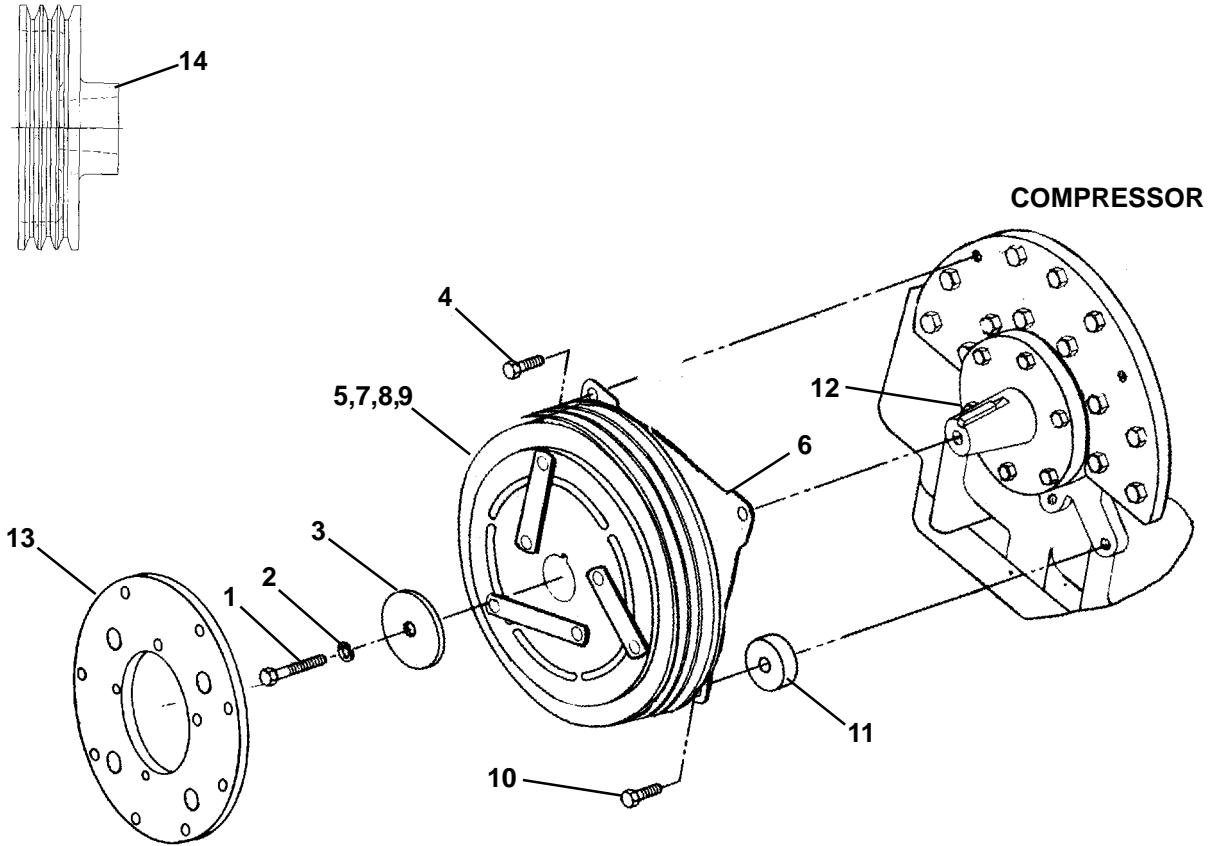


Item	Part Number	Description	Qty
NS	76-50013-00	Kit, Conversion Shaft to Housing Mounted Clutch	A/R
1	34-50035-00	Ring, Snap	1
2	34-50034-00	Bolt, Retaining, Special	1
3	34-01161-00	Nut, Hub, With Grease Fitting Port (Fitting Not Included)	1
	34-06083-00	Nut, Hub Without Grease Fitting Port	
4	40-01132-00	Fitting, Grease, 1/4-18	1
5	17-44041-01	Hub, Clutch Mounting - Includes:	1
6	17-44042-00	Ring, Felt and Retainer	1
7	68G2-9072	Key, Crankshaft, Special	1
8	17-10308-00	Capscrew, Hex Head, 3/8-16 x 1-1/4 Inches Long - SAE Grade 8	1
9	50-00226-09	Clutch Assembly, 24 VDC, 4 Grooves (2A/2B), 10.35 Inch Dia. - Includes:	1
10	50-00226-50	Coil, 24 VDC	1
11	50-00226-501	Rotor/Armature, 4 Grooves (2A/2B), 10.35 Inch Diameter - Includes:	1
12	50-50040-05	Ring, Snap	1
13	50-50040-04	Bearing	1
9	50-00226-18	Clutch Assembly, 12 VDC, 4 Grooves (2B/2A), 10.35 Inch Dia. - Includes:	1
10	50-00226-41	Coil, 12 VDC	1
11	50-50040-11	Rotor/Armature, 4 Grooves (2B/2A), 10.35 Inch Diameter - Includes:	1
12	50-50040-05	Ring, Snap	1
13	50-50040-04	Bearing	1

15 CLUTCH ASSEMBLY - HOUSING MOUNTED (LINNIG - GOLD IN COLOR) - continued

Item	Part Number	Description	Qty
9	50-00226-19	Clutch Assembly, 24 VDC, 4 Grooves (2B/2A), 10.35 Inch Dia. - Includes:	1
10	50-00226-50	Coil, 24 VDC	1
11	50-50040-11	Rotor/Armature, 4 Grooves (2B/2A), 10.35 Inch Diameter - Includes:	1
12	50-50040-05	Ring, Snap	1
13	50-50040-04	Bearing	1
9	50-01130-03	Clutch Assembly, 24 VDC, 3-3V Grooves, 8.48 Inch Diameter - Includes:	1
10	50-00226-50	Coil, 24 VDC	1
11	50-50040-02	Rotor/Armature, 3-3V Grooves, 8.48 Inch Diameter - Includes:	1
12	50-50040-05	Ring, Snap	1
13	50-50040-04	Bearing	1
9	50-01130-20	Clutch Assembly, 12 VDC, 2-B Grooves, 10.35 Inch Diameter - Includes:	1
10	50-00226-41	Coil, 12 VDC	1
11	50-50040-03	Rotor/Armature, 2-B Grooves, 10.35 Inch Diameter - Includes:	1
12	50-50040-05	Ring, Snap	1
13	50-50040-04	Bearing	1
9	50-01130-21	Clutch Assembly, 24 VDC, 2-B Grooves, 10.35 Inch Diameter - Includes:	1
10	50-00226-50	Coil, 24 VDC	1
11	50-50040-03	Rotor/Armature, 2-B Grooves, 10.35 Inch Diameter - Includes:	1
12	50-50040-05	Ring, Snap	1
13	50-50040-04	Bearing	1
9	50-01130-22	Clutch Assembly, 12 VDC, 2-C Grooves, 10 Inch Diameter - Includes:	1
10	50-00226-41	Coil, 12 VDC	1
11	50-50040-12	Rotor/Armature, 2-C Grooves, 10 Inch Diameter - Includes:	1
12	50-50040-05	Ring, Snap	1
13	50-50040-04	Bearing	1
14	50-00226-65	Shim, .012 Inch Thick	5
	50-00226-66	Shim, .039 Inch Thick	1

16 CLUTCH ASSEMBLY - SHAFT MOUNTED



Item	Part Number	Description	Qty
1	34-00613-07	Capscrew, Hex Head, 3/8 UNF x 7/8 Inch Long - SAE Grade 8	1
2	AU11AR241	Washer, Lock, Spring, 3/8 Inch	1
3	34-00616-00	Washer, 13/32 ID x 1-1/2 OD x 3/16 Inch Thick	1
4	17-40037-05	Capscrew, Hex Head, 3/8-16 x 1 Inch Long	2

16 CLUTCH ASSEMBLY - SHAFT MOUNTED

Item	Part Number	Description	Qty
5	50-01108-00	Clutch, 24 VDC, 2-C Grooves, 9 Inch Diameter	1
	50-01110-00	Clutch, 24 VDC, 3-3V Grooves, 8.48 Inch Diameter	
	50-01110-01	Clutch, 12 VDC, 3-3V Grooves, 8.48 Inch Diameter	
	50-01114-00	Clutch, 12 VDC, 2-B Grooves, 8.64 Inch Diameter	
6	50-50011-00	Coil, 24 VDC	1
	50-50014-00	Coil, 12 VDC	
7	50-50015-00	Ring, Retaining - External	1
8	50-50016-00	Ring, Retaining - Internal	1
9	50-50017-00	Bearing	1
10	17-10308-00	Capscrew, Hex Head, 3/8-16 x 1-1/4 Inches Long - SAE Grade 8	2
11	68G2-8522-1	Spacer, 1-3/8 OD x 1/2 Inch Thick - CRES	2
12	17-40324-00	Key, Crankshaft, 1/4 x 1/4 x 1-1/2 Inches Long	1
13	50-01115-00	Plate, Adapter (Used with 50-01114 Clutch)	1
14	68G2-1823	Sheave, Power Takeoff, 3-3V Grooves, 6 Inch Diameter, (On Allison Transmission)	1

17 UNLOADER KITS, BUS - PRESSURE TO ELECTRIC



17 UNLOADER KIT - PRESSURE TO ELECTRIC - R-134a ONLY - 24 VDC

Item	Part Number	Description	Qty
	74-50111-00	Kit, Convert Pressure Hot Gas Bypass to Electric Unloader (24 VDC), Includes:	2
1	17-40417-00	Unloader Valve	2
2	68PD-2-102-3	Solenoid Coil - 24 VDC	2
3	12-00334-02	Switch, Pressure (UPS2) - R-134a	1
4	12-00334-03	Switch, Pressure (UPS1) - R-134a	1
5	40-00249-01	Fitting, Tee, Male Branch, 1/4 FPT x 1/4 FPT x 1/4 MPT	1
6	40-00243-01	Fitting, Tee, Street, 1/4 MPT x 1/4 x 1/4 FPT	1
7	06DA403-844	Valve, Access (1/4 Flare, Schrader)	3
8	40-00528-02	Connector, 1/4 FPT x 7/16-20 Straight Thread With O-Ring - Includes:	1
9	42-00243-07	O-Ring	1
10	DD19CA061	Cap, 1/4 Flare, Schrader	1
11	22-50222-00	Wire Harness	1

17 UNLOADER KIT - PRESSURE TO ELECTRIC - R-22 ONLY - 24 VDC			
Item	Part Number	Description	Qty
	74-50111-01	Kit, Convert Pressure Hot Gas Bypass to Electric Unloader (24 VDC), Includes:	2
1	17-40417-00	Unloader Valve	2
2	68PD-2-102-3	Solenoid Coil - 24 VDC	2
3	12-00334-00	Switch, Pressure (UPS2) - R-22	1
4	12-00334-01	Switch, Pressure (UPS1) - R-22	1
5	40-00249-01	Fitting, Tee, Male Branch, 1/4 FPT x 1/4 FPT x 1/4 MPT	1
6	40-00243-01	Fitting, Tee, Street, 1/4 MPT x 1/4 x 1/4 FPT	1
7	06DA403-844	Valve, Access (1/4 Flare, Schrader)	3
8	40-00528-02	Connector, 1/4 FPT x 7/16-20 Straight Thread With O-Ring - Includes:	1
9	42-00243-07	O-Ring	1
10	DD19CA061	Cap, 1/4 Flare, Schrader	1
11	22-50222-00	Wire Harness	1
17 UNLOADER KIT - PRESSURE TO ELECTRIC - R-134a ONLY - 36 VDC			
	74-50111-02	Kit, Convert Pressure Hot Gas Bypass to Electric Unloader (36 VDC), Includes:	2
1	17-40417-00	Unloader Valve	2
2	14-50086-00	Solenoid Coil - 36 VDC	2
3	12-00334-02	Switch, Pressure (UPS2) - R-134a	1
4	12-00334-03	Switch, Pressure (UPS1) - R-134a	1
5	40-00249-01	Fitting, Tee, Male Branch, 1/4 FPT x 1/4 FPT x 1/4 MPT	1
6	40-00243-01	Fitting, Tee, Street, 1/4 MPT x 1/4 x 1/4 FPT	1
7	06DA403-844	Valve, Access (1/4 Flare, Schrader)	3
8	40-00528-02	Connector, 1/4 FPT x 7/16-20 Straight Thread With O-Ring - Includes:	1
9	42-00243-07	O-Ring	1
10	DD19CA061	Cap, 1/4 Flare, Schrader	1
11	22-50222-00	Wire Harness	1
17 UNLOADER KIT - PRESSURE TO ELECTRIC - R-22 ONLY - 36 VDC			
	74-50111-03	Kit, Convert Pressure Hot Gas Bypass to Electric Unloader (36 VDC), Includes:	2
1	17-40417-02	Unloader Valve	2
2	14-50086-00	Solenoid Coil - 36 VDC	2
3	12-00334-00	Switch, Pressure (UPS2) - R-22	1
4	12-00334-01	Switch, Pressure (UPS1) - R-22	1
5	40-00249-01	Fitting, Tee, Male Branch, 1/4 FPT x 1/4 FPT x 1/4 MPT	1
6	40-00243-01	Fitting, Tee, Street, 1/4 MPT x 1/4 x 1/4 FPT	1
7	06DA403-844	Valve, Access (1/4 Flare, Schrader)	3
8	40-00528-02	Connector, 1/4 FPT x 7/16-20 Straight Thread With O-Ring - Includes:	1
9	42-00243-07	O-Ring	1
10	DD19CA061	Cap, 1/4 Flare, Schrader	1
11	22-50222-00	Wire Harness	1

PART NUMBER INDEX

PART NO.	PAGE NO.	PART NO.	PAGE NO.	PART NO.	PAGE NO.
04-00130-00	14, 15	17-40056-02	5	17-44073-00	5
05GA503-724	7	17-40057-00	5, 10, 11	17-44074-00	5
05GA503-734	7	17-40078-05	4	17-44075-00	5
06DA403-844	1, 12, 20, 21	17-40104-07	9, 13	17-44113-00	10, 11
12-00334-00	21	17-40104-08	11	17-44117-00	2, 3, 12
12-00334-01	21	17-40104-09	11	17-44118-00	7, 13
12-00334-02	20, 21	17-40104-20	9	17-44119-00	7, 13
12-00334-03	20, 21	17-40108-00	9, 12	17-44121-00	13
14-00143-07	9	17-40111-00	9	17-44121-01	5
14-00206-01	12	17-40204-00	4	17-44122-01	5
14-01042-07	12	17-40317-00	5	17-44127-00	7
14-50086-00	21	17-40324-00	5, 19	17-44129-00	2, 3, 13
16-00149-00	9	17-40408-02	9	17-44137-00	4
17-10218-00	1	17-40409-00	9	17-44138-00	12, 13
17-10218-02	1	17-40417-00	9, 20, 21	17-44139-00	4
17-10224-05	12	17-40417-02	21	17-44141-00	1, 13
17-10308-00	4, 14, 16, 19	17-40418-00	9	17-44742-00	10
17-10715-00	10, 11	17-44002-00	7	17-44743-00	12
17-10721-00	9	17-44004-06	6, 13	17-44744-00	11
17-10806-10	1, 12	17-44005-00	1	17-44746-00	10, 11, 13
17-10811-05	12	17-44008-00	5	17-44747-00	10, 11, 13
17-10812-01	1, 12	17-44011-00	2, 3	17-44748-00	10, 11
17-10829-00	9	17-44013-00	12	17-44749-00	10, 11
17-13004-00	12	17-44014-00	7	17-44750-00	10, 11
17-13006-00	1	17-44015-00	1	17-44751-00	10, 11
17-13020-00	1	17-44017-03	12	17-44752-00	12
17-13022-00	1, 12	17-44022-00	4, 13	17-44753-00	12
17-31062-00	1	17-44025-00	7	17-44754-00	12
17-40002-01	1	17-44026-00	2	17-44765-00	6
17-40005-05	1	17-44035-00	3	17-44766-00	6
17-40007-00	1	17-44036-00	5	17-44767-00	6
17-40019-00	7	17-44037-00	1, 2, 3, 4	17-44768-00	6
17-40020-00	2, 3	17-44041-01	14, 16	17-44770-00	6
17-40021-00	2, 3	17-44042-00	14, 16	17-44771-00	7
17-40037-05	18	17-44045-01	5	17-44772-00	6
17-40042-00	2, 3	17-44045-03	5	17-44773-00	6
17-40053-00	5	17-44062-00	14, 18	17-44774-00	7
17-40055-00	5	17-44070-00	5	17-44775-00	13
		17-44071-00	5	17-44780-00	12
		17-44072-00	5	17-44790-00	12
				17-55008-00	5

PART NUMBER INDEX

PART NO.	PAGE NO.	PART NO.	PAGE NO.	PART NO.	PAGE NO.
17-55009-01	4, 5	42-00243-07	1, 2, 3, 4, 20, 21	50-50040-02	17
17-55010-00	9	42-50019-00	9	50-50040-03	17
17-55012-00	11	50-00221-30	6	50-50040-04	16, 17
17-55013-00	9	50-00226-09	16	50-50040-05	16, 17
17-55014-00	9	50-00226-18	16	50-50040-11	16, 17
17-55018-01	9	50-00226-19	17	50-50040-12	17
17-55023-00	5	50-00226-41	16, 17	68G2-1823	19
17-55025-00	5	50-00226-50	16, 17	68G2-8522-1	19
17-55028-00	9	50-00226-501	16	68G2-9072	5, 14, 16
22-02567-00	9	50-00226-65	17	68PD-2-102-3	20, 21
22-02804-00	9	50-00226-66	17	74-50111-00	20
22-50030-00	9	50-01108-00	19	74-50111-01	21
22-50078-02SV	9	50-01110-00	19	74-50111-02	21
22-50222-00	20, 21	50-01110-01	19	74-50111-03	21
34-00300-07	5	50-01114-00	19	76-50013-00	14, 16
34-00302-16	12	50-01115-00	19		
34-00613-07	5	50-01116-00	19	A	
34-00616-00	5, 14, 18	50-01117-00	19	AA06BR293	1
34-01139-00	9	50-01122-01	14	AA06GR232	12
34-01161-00	6, 14, 16	50-01122-02	14	AA06GS228	7
34-01186-00	14, 15	50-01122-04	14	AF55CQ164	5
34-01304-00	6	50-01122-07	15	AU11AR241	14, 18
34-06026-00	9	50-01122-09	15	C	
34-06083-00	6	50-01122-12	15	CA63AA051	12
■ 34-50022-00	1	50-01122-14	15	D	
34-50034-00	16	50-01122-41	14	DD19CA061	1, 12, 20, 21
34-50035-00	16	50-01122-50	14, 15		
40-00060-08	12	50-01122-501	15		
40-00243-01	20, 21	50-01122-65	15		
40-00249-01	20, 21	50-01122-66	15		
40-00520-00	1	50-01122-85	14		
40-00520-01	12	50-01122-86	14		
40-00520-02	1	50-01122-90	15		
40-00520-03	12	50-01122-91	15		
40-00524-00	1	50-01122-93	15		
40-00524-01	12	50-01130-03	17		
40-00528-02	20, 21	50-01130-20	17		
40-01132-00	6	50-01130-21	17		
42-00243-03	9	50-01130-22	17		

Carrier Transport Air Conditioning
50 Grumbacher Road
York PA 17406 USA
Tel: 1-800-673-2431
Fax: 1-717-764-0401

North America
Carrier Transicold
700 Olympic Drive
Athens, GA 30601 USA
Tel: 1-706-357-7223
Fax: 1-706-355-5435

**Central America
and Mexico**
Ejercito Nacional No. 418
Piso 9, Torre Yumal
Col. Chapultepec Morales
11570 Mexico, D.F.
Tel: (5255) 9126.0300
Fax: (5255) 9126.0373



Carrier

A United Technologies Company

Carrier Transicold Division,
Carrier Corporation
Truck/Trailer Products Group
P.O. Box 4805
Syracuse, N.Y. 13221 U.S.A

www.carrier.transicold.com



A member of the United Technologies Corporation family. Stock symbol UTX
©2009 Carrier Corporation D Printed in U. S. A. 05/09