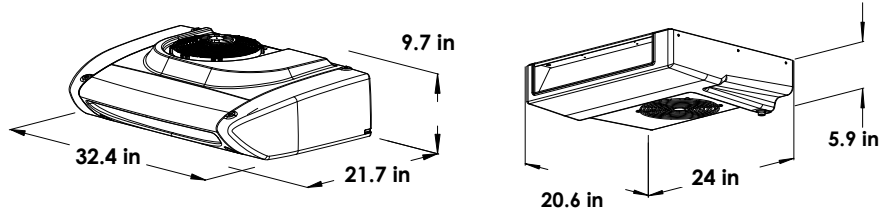




DIMENSIONS



TECHNICAL DATA

| Operation | Road | Stand-by |
|------------------------------|---------------------|---------------------|
| Refrigerant | R404A | |
| Gas charge | 2 lbs | |
| Cooling capacity *Ta = 86 °F | 4,446 Btu/hr | 3,422 Btu/hr |
| | 1,665 Btu/hr | 1,573 Btu/hr |
| Heating capacity *Ta = 5 °F | 1,866 Btu/hr | |
| Rated current consumption | 12 Vdc | |
| | 63 A | |
| | 220/1~/60 | |
| | 6.69 A | |
| Electric motor | | |
| Defrost | | Hot Gas |
| Condensing unit weight | 141 lbs | |
| | 104 lbs | |
| Evaporator weight | 22.5 lbs | |
| | 22.5 lbs | |
| Compressor | 45,5 cc | |
| Evap air flow | 277 ft³ | |
| Air throw | 10 ft | |

RECOMMENDED TRUCK BODY VOLUME

| *Tc | 32 °F | | -4 °F | |
|------|---------|---------|---------|---------|
| *Ta | 86 °F | 104 °F | 86 °F | 104 °F |
| Vol. | 283 ft³ | 212 ft³ | 141 ft³ | 106 ft³ |

LEGEND

| | | | |
|------|-----------------------|--|--------------------|
| Tc | cold room temperature | | road operation |
| Ta | ambient temperature | | stand-by operation |
| Vol. | volume | | |

STANDARD FEATURES

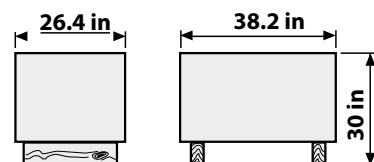
- IN-CAB CONTROLLER
- UNIT AND CONDENSATION DRAIN INSTALLATION KIT
- KIT COLLEGAMENTO ELETTRICO ALLA BATTERIA DEL VEICOLO
VEHICLE BATTERY ELECTRIC CONNECTION KIT
- REFRIGERATOR HOSE KIT COMPLETE WITH SERVICE PARTS

- ELECTRICAL POWER CONNECTION KIT WITH 10 MT CABLE, PLUG AND SOCKET
- CARTON PALLET PACKAGING

OPTIONALS

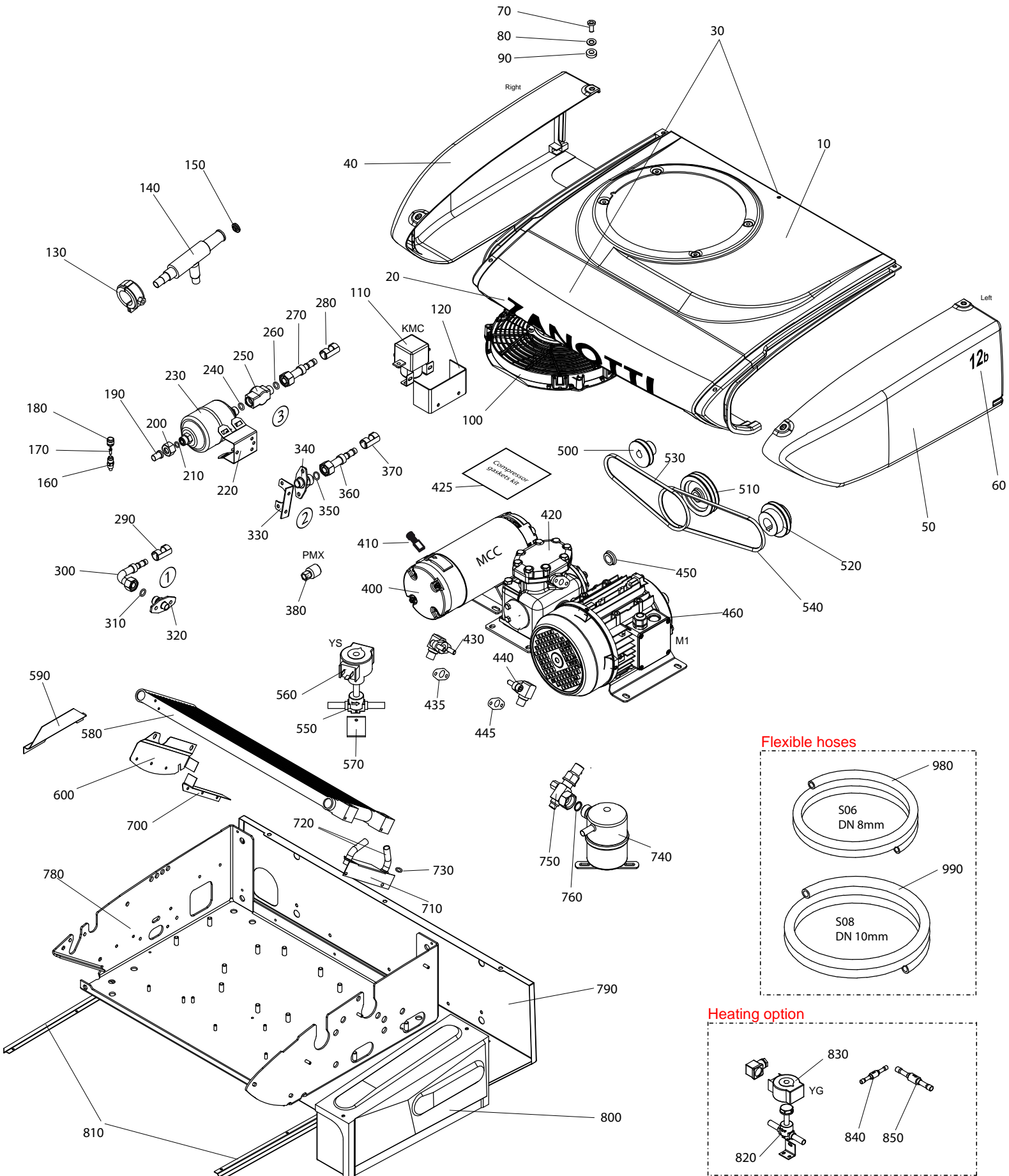
- EXTERNAL VOLTAGE UNIT
- DIFFERENT VOLTAGE ON REQUEST

PACKAGING MASS AND DIMENSIONS



Packing mass w/ sby = 185 lbs / Packing mass w/o sby = 150 lbs

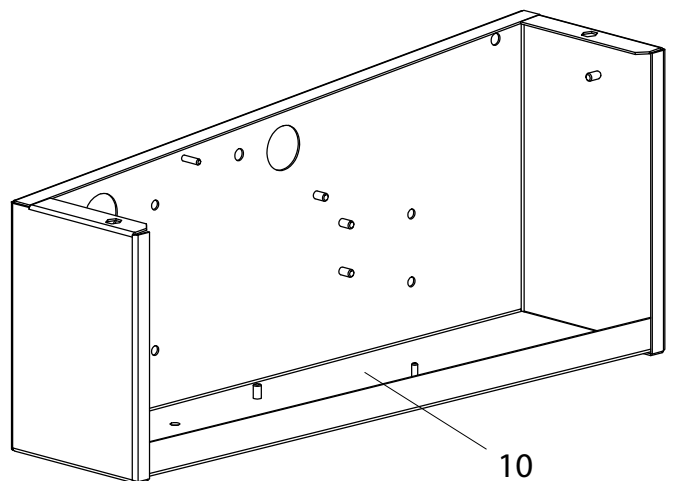
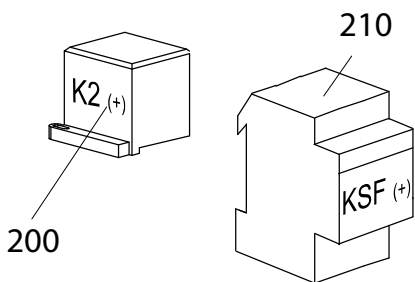
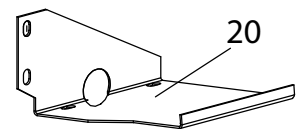
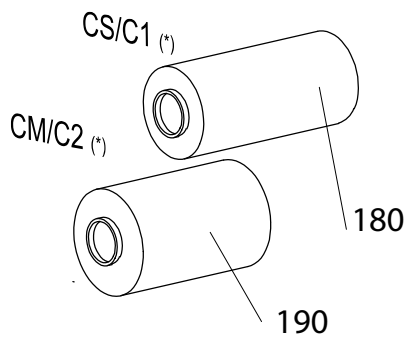
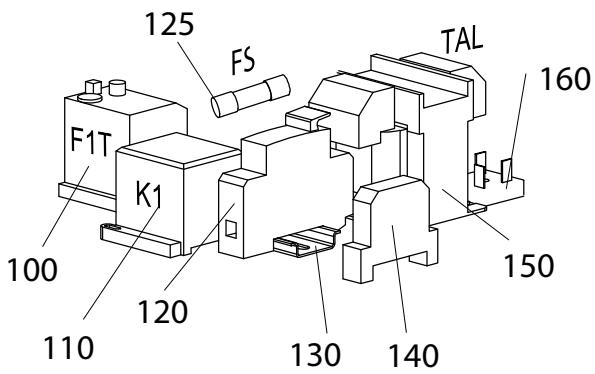
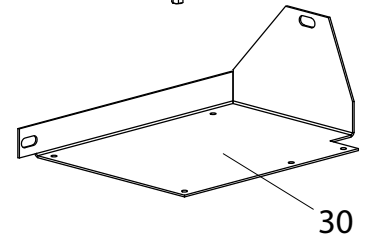
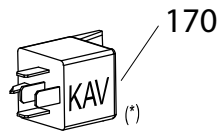
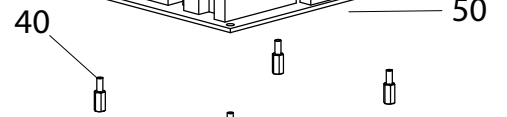
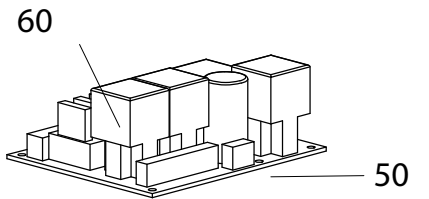
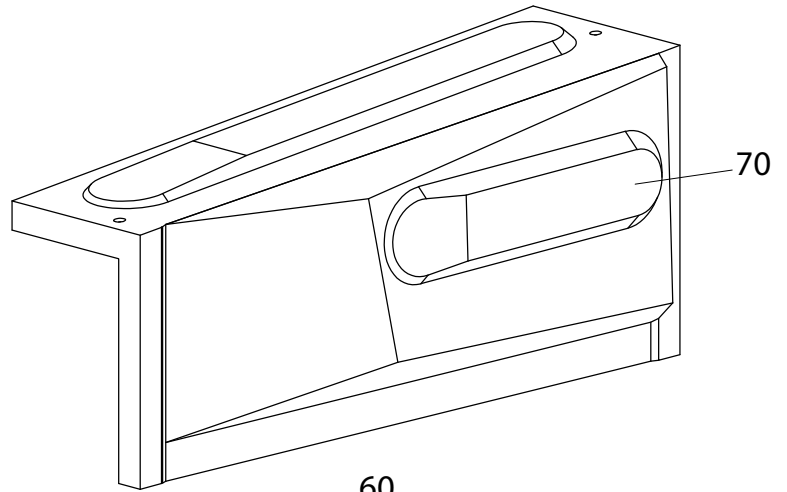
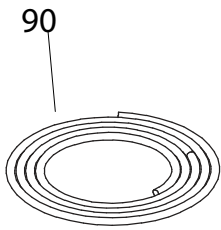
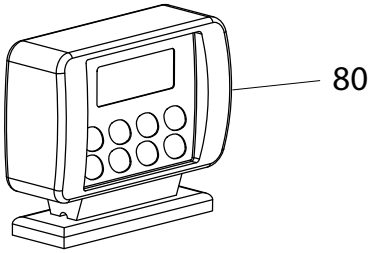
Condensing unit



| Pos. | Description | Qty. | A 2011 | C 2011 | F 2012 | I 2013 | K 2013 |
|------|-------------------------------------|------|----------|----------|---------|---------|---------|
| 10 | Cover | 1 | 2KIT044 | - | 3002401 | - | - |
| 20 | Sticker 'ZANOTTI' | 1 | 3ETA922 | - | - | - | - |
| 30 | Hood, Kit | 1 | 2KIT044 | - | - | - | - |
| 40 | Right Side | 1 | 2FCS001 | - | - | - | - |
| 50 | Left Side | 1 | 2FCS002 | - | - | - | - |
| 60 | Sticker 'Z12b' | 1 | 3ETA905 | - | - | - | - |
| 70 | Screw | 7 | 3VTE341 | - | - | 3VTE375 | - |
| 80 | Flat Washer | 7 | 3RND044 | - | - | - | - |
| 90 | Rubber Washer | 7 | 3RND073 | - | - | - | - |
| 100 | Motorfan | 1 | 3MTV189 | - | - | - | - |
| 110 | Contactora | 1 | 3TLR110 | - | - | - | - |
| 120 | Cover | 1 | 2708268 | - | - | - | - |
| 130 | Collar | 1 | 3COF002 | - | - | - | - |
| 140 | Crankcase Pressure Regulation Valve | 1 | 3VRP055 | - | - | - | - |
| 150 | Locking Nut | 1 | 3FRV003 | - | - | - | - |
| 160 | Coupling | 1 | 3VLC001 | - | - | - | - |
| 170 | Spring | 1 | 3VLC002 | - | - | - | - |
| 180 | Cap | 1 | 3VLC003 | - | - | - | - |
| 190 | Connection, Soldered | 1 | 3GMB001 | - | - | - | - |
| 200 | Nut | 1 | 3DDO071 | - | - | - | - |
| 210 | Gasket | 1 | 3GUR026 | - | - | - | - |
| 220 | Support Bracket, Filter Drier | 1 | 2708253 | - | - | - | - |
| 230 | Filter Drier | 1 | 3FLT177 | - | - | - | - |
| 240 | Gasket | 1 | 3GUR026 | - | - | - | - |
| 250 | Liquid Sight Glass | 1 | 3INU033 | - | - | - | - |
| 260 | Gasket | 1 | 3GUR026 | - | - | - | - |
| 270 | Fitting | 1 | 3RCR245 | - | - | - | 3RCR103 |
| 280 | Clamp, Fitting, Hose S.06 | 1 | 3FSC070 | - | - | - | 3FSC089 |
| 290 | Clamp, Fitting, Hose S.06 | 1 | 3FSC070 | - | - | - | 3FSC089 |
| 300 | Fitting | 1 | 3RCR244 | - | - | - | 3RCR102 |
| 310 | Gasket | 1 | 3GUR025 | - | - | - | - |
| 320 | Connection With Flange | 1 | 2GUN006 | - | - | - | - |
| 330 | Bracket | 1 | 2708266 | - | - | - | - |
| 340 | Connection With Flange | 1 | 2GUN007 | - | - | - | - |
| 350 | Gasket | 1 | 3GUR027 | - | - | - | - |
| 360 | Fitting | 1 | 3RCR249 | - | - | - | 3RCR107 |
| 370 | Clamp, Fitting, Hose S.08 | 1 | 3FSC071 | - | - | - | 3FSC086 |
| 380 | Pressure Switch, High Pressure | 1 | 3PRS040 | - | - | - | - |
| 400 | Electric Motor, DC | 1 | 3MTR096 | - | - | - | - |
| 410 | Brushes, Electric Motor DC | 2 | 3SPZ003 | - | - | - | - |
| 420 | Compressor | 1 | 3CMP1928 | 3CMP2041 | - | - | - |
| 425 | Compressor Gaskets Kit | 1 | 3KGC002 | 3RCC423 | - | - | - |
| 430 | Union | 1 | 3RCR229 | 3RCR268 | - | - | - |
| 435 | Gasket | 1 | 3GUR068 | - | - | - | - |
| 440 | Union | 1 | 3RCR228 | 3RCR267 | - | - | - |
| 445 | Gasket | 1 | 3GUR068 | - | - | - | - |

| | | | | | | | |
|-----|---------------------------------|---|------------|------------|---------|---------|---------|
| 450 | Shaft Seal | 1 | 3PMS002 | 3PMS006 | - | - | - |
| 460 | Electric Motor, AC | 1 | 3MTR105 | - | - | - | - |
| 500 | Pulley | 1 | 3PLG177 | - | - | 3PLG191 | - |
| 510 | Pulley | 1 | 3PLG167 | - | - | 3PLG190 | - |
| 520 | Pulley | 1 | 3PLG176 | - | - | 3PLG192 | - |
| 530 | Belt | 1 | 3CGT121 | - | - | 3CGT266 | - |
| 540 | Belt | 1 | 3CGT242 | - | - | 3CGT267 | - |
| 550 | Solenoid Valve | 1 | 3VLS028 | - | - | - | - |
| 560 | Solenoid Valve Coil, 12V | 1 | 3CVS017 | - | - | - | - |
| 570 | Support Bracket, Solenoid Valve | 1 | 2708247 | - | - | - | - |
| 580 | Condenser Coil | 1 | 3CND573 | - | - | 3CND574 | - |
| 590 | Support Bracket, Condenser | 1 | 2708249 | - | - | - | - |
| 600 | Bracket | 1 | 2708254 | - | - | 2708321 | - |
| 700 | Bracket | 1 | 2708255 | - | - | 2708322 | - |
| 710 | Closing Plate, Condenser | 2 | 2708252 | - | - | 2708320 | - |
| 720 | Connection, Condenser | 2 | 3CNR004 | - | - | - | - |
| 730 | Gasket | 2 | 3GUR061 | - | - | - | - |
| 740 | Liquid Receiver | 1 | 3SRP003 | - | - | - | - |
| 750 | Shut off valve | 1 | 3RBN194 | - | - | 3RBN124 | - |
| 760 | Gasket | 1 | 3GUR003 | - | - | - | - |
| 780 | Frame | 1 | 2708210 | - | - | 2708310 | - |
| 790 | Frame | 1 | 2708200 | - | - | 2708300 | - |
| 800 | Electric Box | 1 | 2QECZ10008 | 3QECZ10005 | - | - | - |
| 810 | Bracket | 1 | 2708239 | - | 2708294 | - | - |
| 820 | Solenoid Valve | 1 | 3VLS046 | - | - | - | - |
| 830 | Solenoid Valve Coil, 12V | 1 | 3CVS017 | - | - | - | - |
| 840 | Non-return Valve | 1 | 3VLR027 | - | - | - | - |
| 850 | Non-return Valve | 1 | 3VLR020 | - | - | - | - |
| 980 | Flexible Hose, S.06, DN08 mm | 0 | 3TBG066 | - | - | - | 3TBG076 |
| 990 | Flexible Hose, S.08, DN10 mm | 0 | 3TBG067 | - | - | - | 3TBG077 |

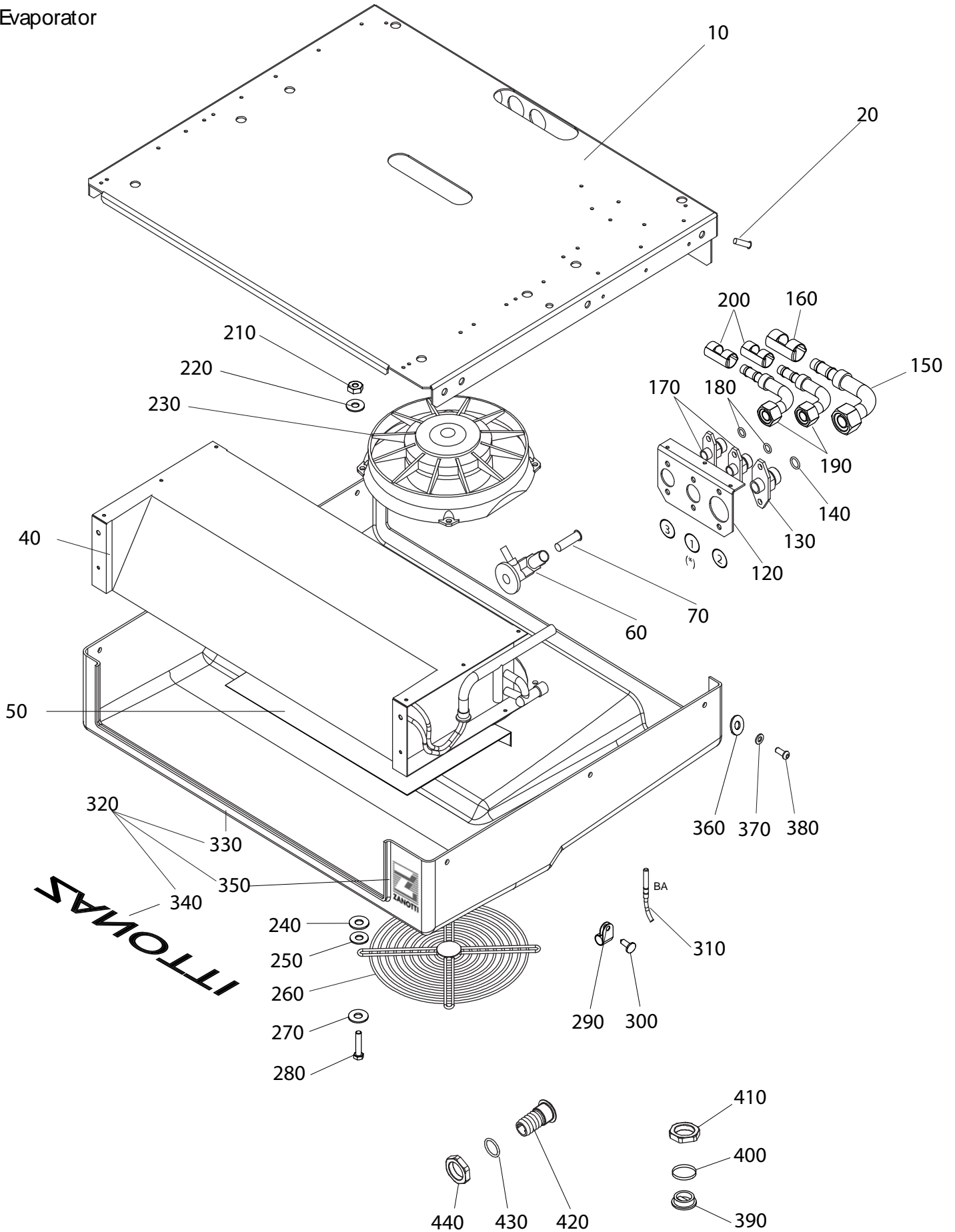
Electric Box



(*) only on single phase version
(+) only on three phases version

| Pos. | Description | Qty | A 2010 | H 2012 | R 2015 |
|-------------|-------------------------------|------------|---------------|---------------|---------------|
| 20 | Support | 1 | 2708246 | - | - |
| 30 | Support | 1 | 2708245 | - | - |
| 40 | Spacer | 4 | 3DSZ001 | - | - |
| 50 | CPU Board, 12V | 1 | 3SCH156 | 3SCH195 | 3SCH205 |
| 60 | Relay 12V | 3 | 3RLM074 | - | - |
| 70 | Cover, Electric Box | 1 | 3002361 | - | - |
| 80 | Cab Command | 1 | 3TST024 | 3TST055 | 3TST024 |
| 90 | Connecting Cable, Cab Command | 1 | 3CAV032 | - | - |
| 100 | Overload Relay | 1 | 3RLT114 | - | - |
| 110 | Contactora | 1 | 3TLR230 | - | - |
| 120 | Fuse Holder | 1 | 3BSF050 | - | - |
| 125 | Fuse | 1 | 3FSB184 | - | - |
| 130 | Bar | 1 | 3PRF002 | - | - |
| 140 | Terminal | 1 | 3MRS030 | - | - |
| 150 | Transformer | 1 | 3TRF079 | - | - |
| 160 | Rectifier | 1 | 3DID012 | - | - |
| 170 | Relay, Starting | 1 | 3RLM067 | - | - |
| 180 | Capacitor | 1 | 3COE047 | - | - |
| 190 | Capacitor | 1 | 3COE035 | - | - |
| 200 | not present | 1 | np | - | - |
| 210 | not present | 1 | np | - | - |

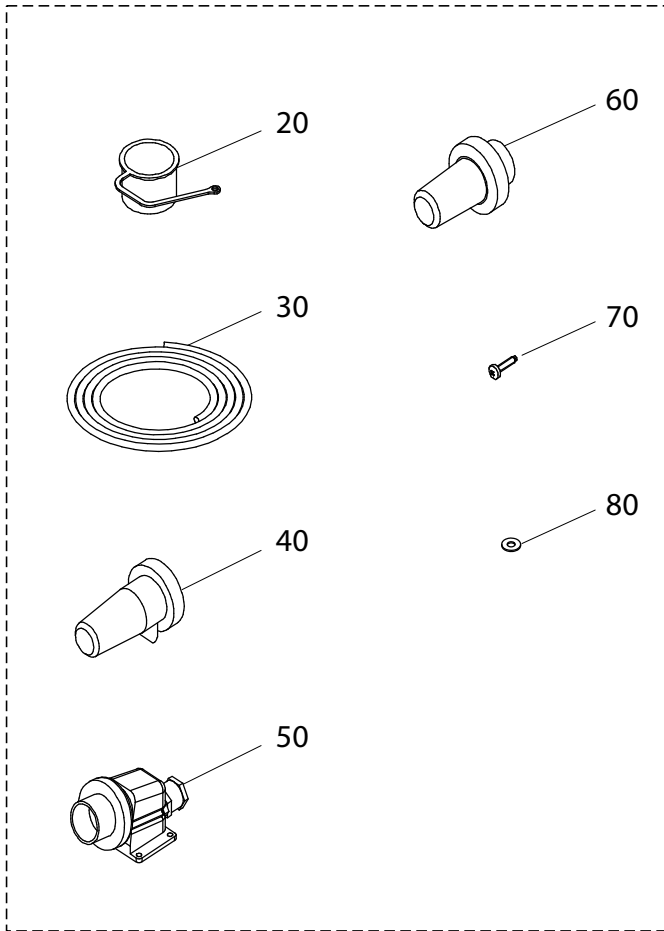
Evaporator



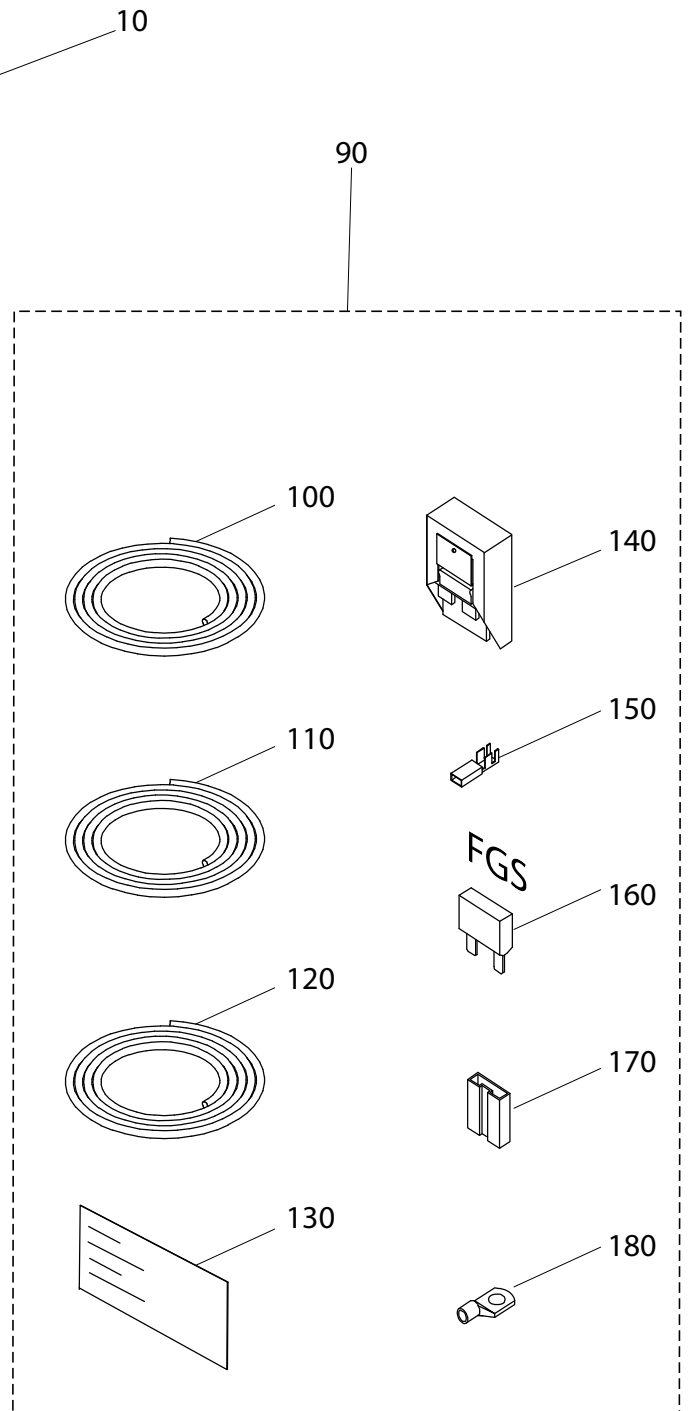
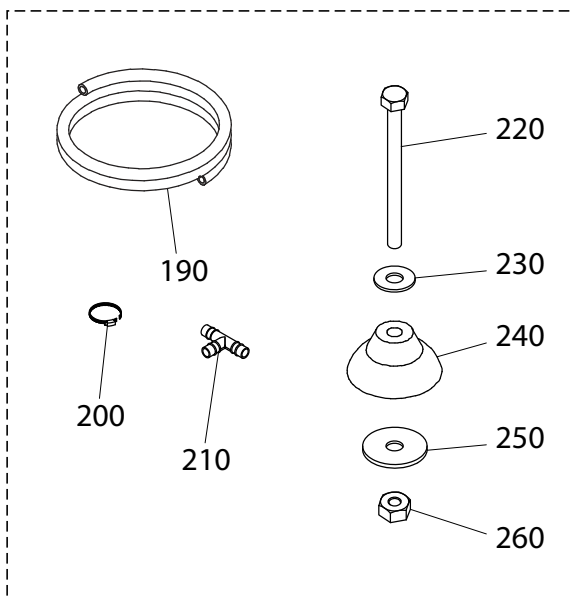
(*) Only on units with hot gas defrost option.

| Pos. | Description | Qty. | A 2010 | K 2013 | M 2013 |
|------|------------------------------|------|---------|---------|---------|
| 10 | Cover | 1 | 2708101 | - | - |
| 20 | Pawl | 1 | 3INF019 | - | - |
| 40 | Evaporator | 1 | 3EVP266 | - | - |
| 50 | Baffle | 1 | 2708048 | - | - |
| 60 | Expansion Valve | 1 | 3BUL058 | - | - |
| 70 | Orifice | 1 | 3ORF002 | - | - |
| 120 | Support Bracket, Connections | 1 | 2708043 | - | - |
| 130 | Connection With Flange | 1 | 2GUN007 | - | - |
| 140 | Gasket | 1 | 3GUR027 | - | - |
| 150 | Fitting | 1 | 3RCR243 | 3RCR101 | 3RCR243 |
| 160 | Clamp, Fitting, Hose S.08 | 1 | 3FSC071 | 3FSC086 | 3FSC071 |
| 170 | Connection With Flange | 2 | 2GUN006 | - | - |
| 180 | Gasket | 2 | 3GUR026 | - | - |
| 190 | Fitting | 2 | 3RCR244 | 3RCR102 | 3RCR244 |
| 200 | Clamp, Fitting, Hose S.06 | 2 | 3FSC070 | 3FSC089 | 3FSC070 |
| 210 | Nut | 4 | 3DDO067 | - | - |
| 220 | Flat Washer | 4 | 3RND038 | - | - |
| 230 | Motorfan | 1 | 3MTV077 | - | - |
| 240 | Rubber Washer | 4 | 3RND073 | - | - |
| 250 | Flat Washer | 4 | 3RND044 | - | - |
| 260 | Grid | 1 | 3GRI040 | - | - |
| 270 | Flat Washer | 4 | 3RND038 | - | - |
| 280 | Screw | 4 | 3VTE196 | - | - |
| 290 | Clamp | 1 | 3FSC015 | - | - |
| 300 | Screw | 1 | 3VTE089 | - | - |
| 310 | Temperature Sensor | 1 | 3SNS087 | - | - |
| 320 | Evaporator Drip Pan, Kit | 1 | 1KIT174 | - | - |
| 330 | Drip Pan | 1 | 3002102 | - | - |
| 340 | Sticker 'ZANOTTI' | 1 | 3ETA981 | - | - |
| 350 | Sticker 'Zanotti Logo' | 1 | 3ETA490 | - | - |
| 360 | Rubber Washer | 6 | 3RND073 | - | - |
| 370 | Flat Washer | 6 | 3RND010 | - | - |
| 380 | Screw | 6 | 3VTE329 | - | - |
| 390 | Cap | 1 | 3TPP009 | - | - |
| 400 | Gasket | 1 | 3GUR032 | - | - |
| 410 | Nut | 1 | 3DDO047 | - | - |
| 420 | Connection, Water Drain Hose | 1 | 3002153 | - | - |
| 430 | Gasket | 1 | 3GUR028 | - | - |
| 440 | Nut | 1 | 3DDO047 | - | - |

Completion Kits and Accessories



Other components



(*)Kits may be supplied or not according the version of the unit.

| Pos. | Description | Qty. | A 2010 | K 2013 | M 2013 |
|------|------------------------------|------|---------|---------|---------|
| 10 | Cover | 1 | 2708101 | - | - |
| 20 | Pawl | 1 | 3INF019 | - | - |
| 40 | Evaporator | 1 | 3EVP266 | - | - |
| 50 | Baffle | 1 | 2708048 | - | - |
| 60 | Expansion Valve | 1 | 3BUL058 | - | - |
| 70 | Orifice | 1 | 3ORF002 | - | - |
| 120 | Support Bracket, Connections | 1 | 2708043 | - | - |
| 130 | Connection With Flange | 1 | 2GUN007 | - | - |
| 140 | Gasket | 1 | 3GUR027 | - | - |
| 150 | Fitting | 1 | 3RCR243 | 3RCR101 | 3RCR243 |
| 160 | Clamp, Fitting, Hose S.08 | 1 | 3FSC071 | 3FSC086 | 3FSC071 |
| 170 | Connection With Flange | 2 | 2GUN006 | - | - |
| 180 | Gasket | 2 | 3GUR026 | - | - |
| 190 | Fitting | 2 | 3RCR244 | 3RCR102 | 3RCR244 |
| 200 | Clamp, Fitting, Hose S.06 | 2 | 3FSC070 | 3FSC089 | 3FSC070 |
| 210 | Nut | 4 | 3DDO067 | - | - |
| 220 | Flat Washer | 4 | 3RND038 | - | - |
| 230 | Motorfan | 1 | 3MTV077 | - | - |
| 240 | Rubber Washer | 4 | 3RND073 | - | - |
| 250 | Flat Washer | 4 | 3RND044 | - | - |
| 260 | Grid | 1 | 3GRI040 | - | - |
| 270 | Flat Washer | 4 | 3RND038 | - | - |
| 280 | Screw | 4 | 3VTE196 | - | - |
| 290 | Clamp | 1 | 3FSC015 | - | - |
| 300 | Screw | 1 | 3VTE089 | - | - |
| 310 | Temperature Sensor | 1 | 3SNS087 | - | - |
| 320 | Evaporator Drip Pan, Kit | 1 | 1KIT174 | - | - |
| 330 | Drip Pan | 1 | 3002102 | - | - |
| 340 | Sticker 'ZANOTTI' | 1 | 3ETA981 | - | - |
| 350 | Sticker 'Zanotti Logo' | 1 | 3ETA490 | - | - |
| 360 | Rubber Washer | 6 | 3RND073 | - | - |
| 370 | Flat Washer | 6 | 3RND010 | - | - |
| 380 | Screw | 6 | 3VTE329 | - | - |
| 390 | Cap | 1 | 3TPP009 | - | - |
| 400 | Gasket | 1 | 3GUR032 | - | - |
| 410 | Nut | 1 | 3DDO047 | - | - |
| 420 | Connection, Water Drain Hose | 1 | 3002153 | - | - |
| 430 | Gasket | 1 | 3GUR028 | - | - |
| 440 | Nut | 1 | 3DDO047 | - | - |